

(12) **United States Design Patent** (10) **Patent No.:** **US D908,440 S**
Samartgis (45) **Date of Patent:** **** *Jan. 26, 2021**

(54) **CONTAINER BASE**

(71) Applicant: **THE DECOR CORPORATION PTY LTD**, Scoresby (AU)

(72) Inventor: **Jim Samartgis**, Scoresby (AU)

(73) Assignee: **The Decor Corporation Pty Ltd.**, Scoresby (AU)

(*) Notice: This patent is subject to a terminal disclaimer.

(**) Term: **15 Years**

(21) Appl. No.: **29/609,340**

(22) Filed: **Jun. 29, 2017**

(30) **Foreign Application Priority Data**

Feb. 9, 2017 (AU) 201710729
 Feb. 9, 2017 (AU) 201710731
 Feb. 9, 2017 (AU) 201710732

(51) **LOC (13) Cl.** **07-07**

(52) **U.S. Cl.**
 USPC **D7/602**

(58) **Field of Classification Search**
 USPC D7/590, 597, 600–600.1, 600.3–600.4,
 D7/602, 614–615, 701, 592, 596, 619.1,
 (Continued)

(56) **References Cited**

U.S. PATENT DOCUMENTS

D281,048 S * 10/1985 Wolff D7/602
 D282,809 S * 3/1986 Daenen D7/602
 (Continued)

FOREIGN PATENT DOCUMENTS

CN 304039162 * 2/2017
 CN 304039164 * 2/2017
 KR 300828431.0000 * 12/2015

OTHER PUBLICATIONS

Brilliance Container, Rubbermaid, jaimelovesstuff.com, published by blogger Jamie on Nov. 30, 2016 per wayback machine © A Little Desert Apartment, online, site visited Jan. 30, 2019. Available from Internet, URL: <https://web.archive.org/web/20161130184712/http://www.jaimelovesstuff.com/2016/11/> . . . (Year: 2016).*

Primary Examiner — Marissa J Cash

Assistant Examiner — Altaira J Swangin

(74) *Attorney, Agent, or Firm* — Kilpatrick Townsend & Stockton LLP

(57) **CLAIM**

The ornamental design for a container base, as shown and described.

DESCRIPTION

FIG. 1 is a top, front perspective view of a first embodiment of a container base showing my new design;
 FIG. 2 is a bottom, rear perspective view thereof;
 FIG. 3 is a top plan view thereof;
 FIG. 4 is a bottom plan view thereof;
 FIG. 5 is a front elevational view thereof;
 FIG. 6 is a rear elevational view thereof;
 FIG. 7 is a left side elevational view thereof; and
 FIG. 8 is a right side elevational view thereof.
 FIG. 9 is a top, front perspective view of a second embodiment of a container base showing my new design;
 FIG. 10 is a bottom, rear perspective view thereof;
 FIG. 11 is a top plan view thereof;
 FIG. 12 is a bottom plan view thereof;
 FIG. 13 is a front elevational view thereof;
 FIG. 14 is a rear elevational view thereof;
 FIG. 15 is a left side elevational view thereof; and
 FIG. 16 is a right side elevational view thereof.
 FIG. 17 is a top, front perspective view of a third embodiment of a container base showing my new design;
 FIG. 18 is a bottom, rear perspective view thereof;
 FIG. 19 is a top plan view thereof;
 FIG. 20 is a bottom plan view thereof;
 FIG. 21 is a front elevational view thereof;
 FIG. 22 is a rear elevational view thereof;

(Continued)

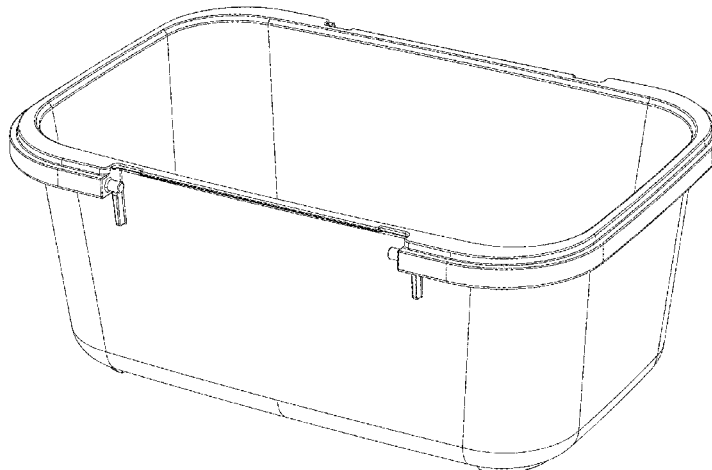


FIG. 23 is a left side elevational view thereof; and, FIG. 24 is a right side elevational view thereof. Broken lines shown in the drawings represent portions of the container base and form no part of the claimed design.

1 Claim, 24 Drawing Sheets

(58) **Field of Classification Search**

USPC D7/704, 505, 513, 553.1–553.3,
 D7/554.3–555, 611; D6/675, 680.2,
 D6/675.1–675.2, 675.5, 680–680.1, 680.3,
 D6/681, 690–691; 211/30, 73–74;
 D9/747, 751–753, 756–758, 759–760,
 D9/762; 206/129, 712, 736; D19/92,
 D19/101–105, 107; D32/53, 53.1, 55
 CPC F16M 11/00; A47K 1/09; A47F 7/0064;
 A47J 47/02; A47J 47/06; A47J 47/10;
 B65D 1/36; B65D 81/3446; B65D 1/00;
 B65D 45/12; B65D 45/16; B65D 45/18;
 B65D 45/20; B65D 45/22; B65D 45/30;
 B65D 45/322; A47G 23/04; A47G
 23/0683; A47G 23/06

See application file for complete search history.

(56) **References Cited**

U.S. PATENT DOCUMENTS

D287,559 S * 1/1987 Daenen D7/586
 D363,662 S * 10/1995 Plater D3/304
 D377,739 S * 2/1997 Carlson D7/602
 D403,924 S * 1/1999 Carlson D7/602
 D496,560 S * 9/2004 Lerner D7/629
 D601,387 S * 10/2009 Carlson D7/602
 D601,388 S * 10/2009 Carlson D7/602
 D601,857 S * 10/2009 Carlson D7/602
 7,614,522 B2 * 11/2009 Hsu A47J 36/06
 220/367.1
 7,654,411 B2 * 2/2010 Boots B65D 43/162
 215/237
 D614,919 S * 5/2010 Carlson D7/602
 D630,899 S * 1/2011 Samartgis D7/602
 D630,900 S * 1/2011 Samartgis D7/602
 D630,901 S * 1/2011 Samartgis D7/602
 D631,298 S * 1/2011 Samartgis D7/602
 D631,300 S * 1/2011 Samartgis D7/602
 D631,706 S * 2/2011 Samartgis D7/602
 D631,707 S * 2/2011 Samartgis D7/602
 D643,710 S * 8/2011 Samartgis D9/424
 D643,711 S * 8/2011 Samartgis D9/424
 D643,712 S * 8/2011 Samartgis D9/424
 D644,883 S * 9/2011 Samartgis D7/602
 D644,884 S * 9/2011 Samartgis D7/602
 D644,885 S * 9/2011 Samartgis D7/602

D644,886 S * 9/2011 Samartgis D7/602
 D644,887 S * 9/2011 Samartgis D7/602
 D644,888 S * 9/2011 Samartgis D7/602
 D649,839 S * 12/2011 Stamper D7/602
 D655,576 S * 3/2012 Samartgis D7/602
 D655,577 S * 3/2012 Samartgis D7/602
 D655,578 S * 3/2012 Samartgis D7/602
 8,418,871 B1 * 4/2013 LaMasney B65D 1/34
 220/324
 D697,762 S * 1/2014 Carlson D7/602
 D697,763 S * 1/2014 Carlson D7/602
 D697,764 S * 1/2014 Carlson D7/602
 D702,483 S * 4/2014 Green D7/354
 D708,015 S * 7/2014 Carlson D7/602
 D708,016 S * 7/2014 Carlson D7/602
 D708,017 S * 7/2014 Carlson D7/602
 D708,018 S * 7/2014 Carlson D7/602
 D716,613 S * 11/2014 Carlson D7/602
 D717,119 S * 11/2014 Carlson D7/602
 D717,120 S * 11/2014 Carlson D7/602
 D717,121 S * 11/2014 Carlson D7/602
 D717,122 S * 11/2014 Carlson D7/602
 D734,991 S * 7/2015 Carlson D7/602
 D751,349 S * 3/2016 Carlson D7/629
 D756,652 S * 5/2016 Reinhart D3/314
 D766,715 S * 9/2016 Buck D9/432
 D787,275 S * 5/2017 Carlson D7/602
 D803,637 S * 11/2017 Feng D7/629
 D810,285 S * 2/2018 Adams D24/123
 D815,924 S * 4/2018 Croft D7/629
 D830,790 S * 10/2018 Lee D7/629
 D832,026 S * 10/2018 Garcia Luna D7/360
 D838,108 S * 1/2019 Samartgis D3/318
 D838,484 S * 1/2019 Samartgis D3/318
 2007/0095837 A1 * 5/2007 Meier B65D 45/16
 220/324
 2007/0235452 A1 * 10/2007 Killinger B42F 17/08
 220/326
 2010/0200588 A1 * 8/2010 Bergman B65D 81/2038
 220/203.01
 2012/0267369 A1 * 10/2012 Duvigneau B29C 45/0081
 220/203.01
 2014/0299227 A1 * 10/2014 Dix B65B 25/04
 141/11
 2014/0312046 A1 * 10/2014 Yang B65D 43/0254
 220/792
 2015/0014320 A1 * 1/2015 Koo B65D 45/20
 220/324
 2015/0125579 A1 * 5/2015 Schrade A23L 3/3418
 426/234
 2015/0232242 A1 * 8/2015 Carlson B65D 53/02
 220/367.1
 2016/0000271 A1 * 1/2016 Park B65D 81/2038
 220/203.29
 2016/0045054 A1 * 2/2016 Su A47J 47/14
 99/403
 2016/0332785 A1 * 11/2016 Sexton B65D 45/20
 2018/0265263 A1 * 9/2018 Li B65D 45/20

* cited by examiner

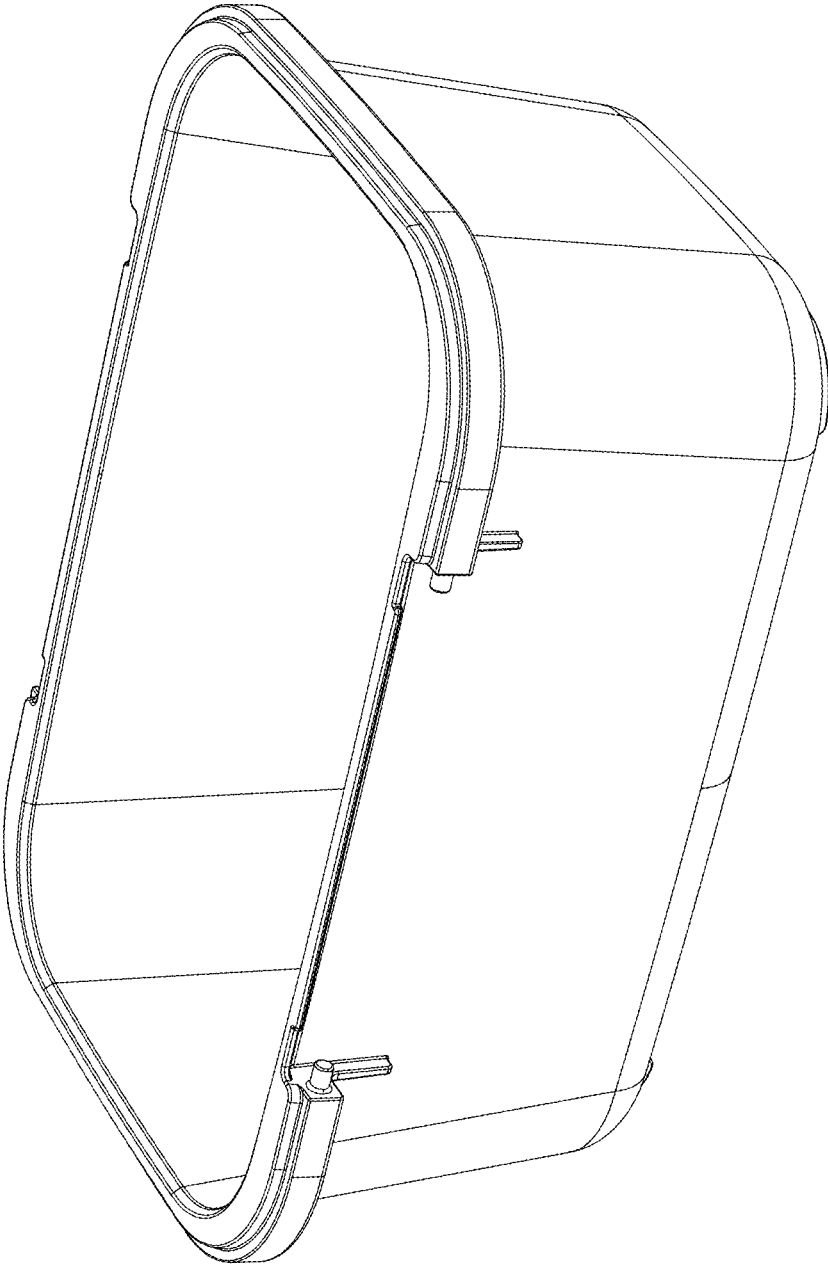


FIG. 1

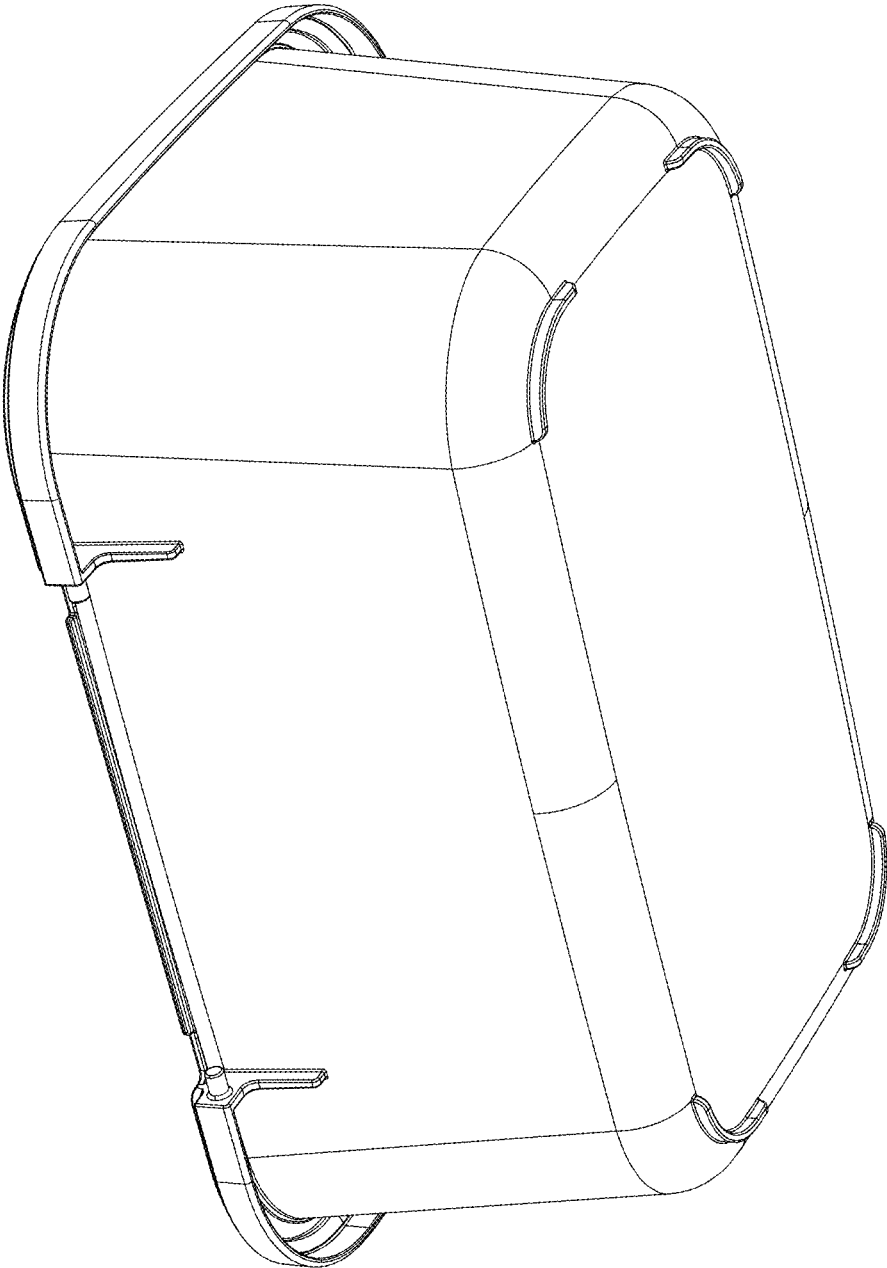


FIG. 2

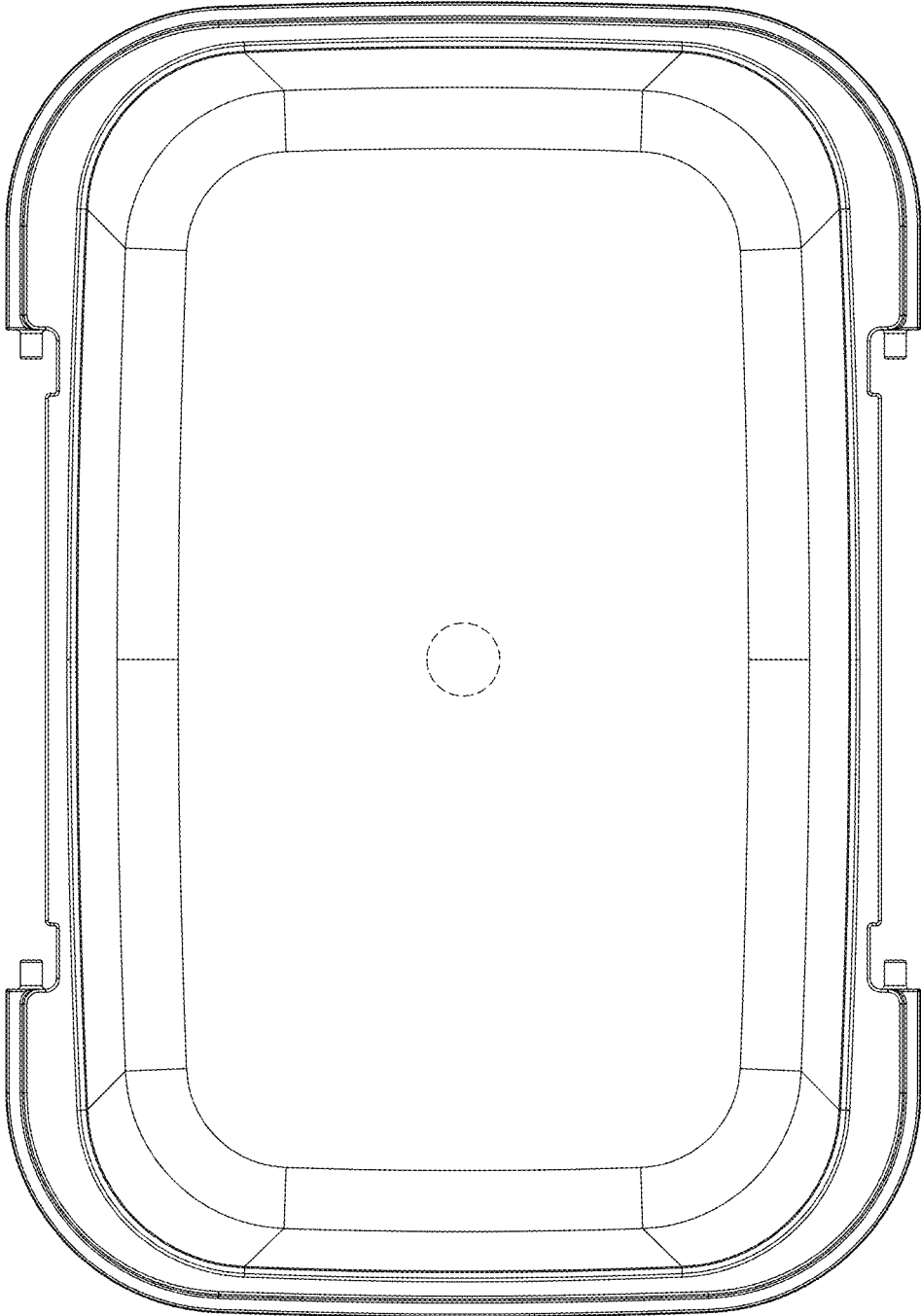


FIG. 3

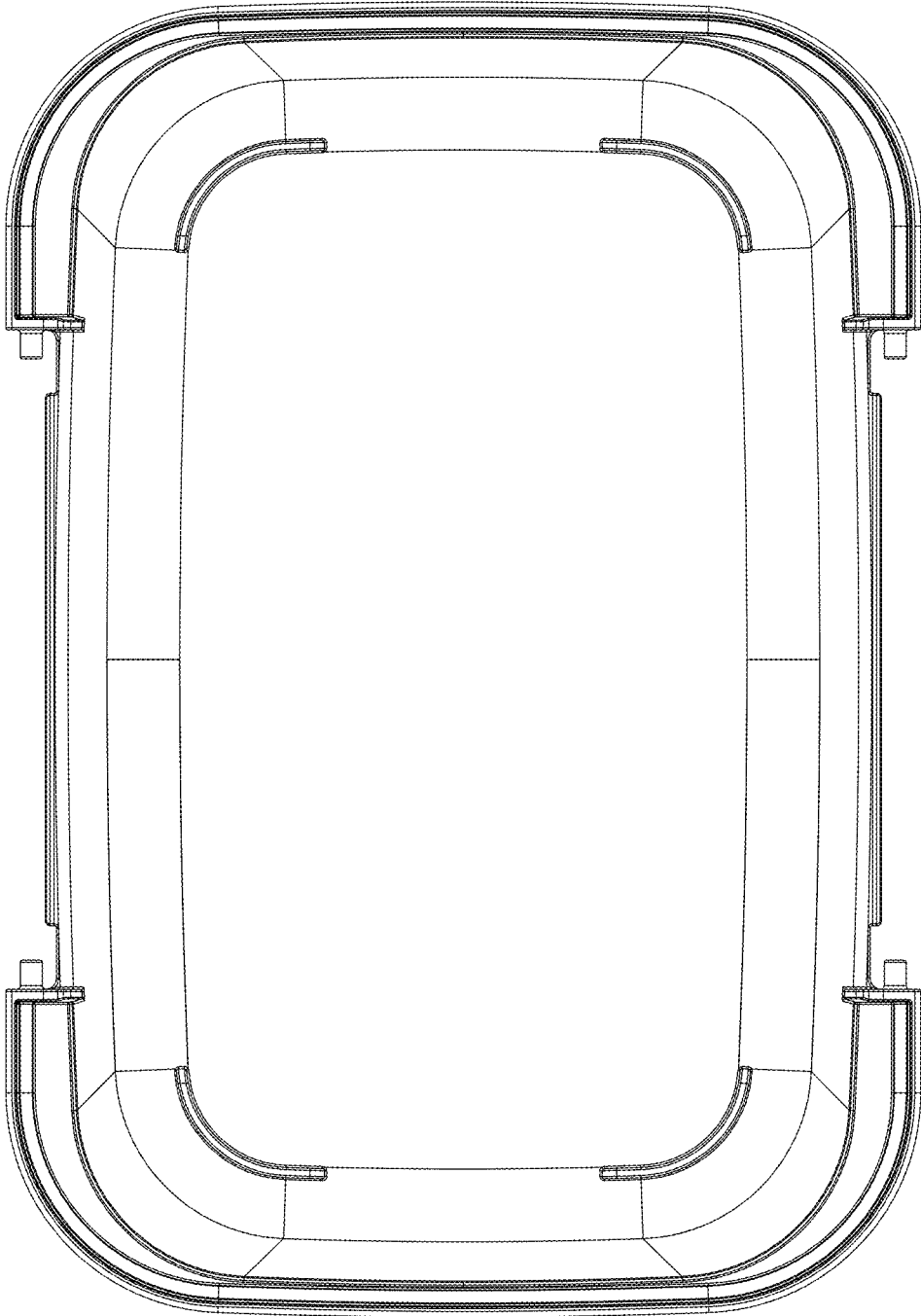


FIG. 4

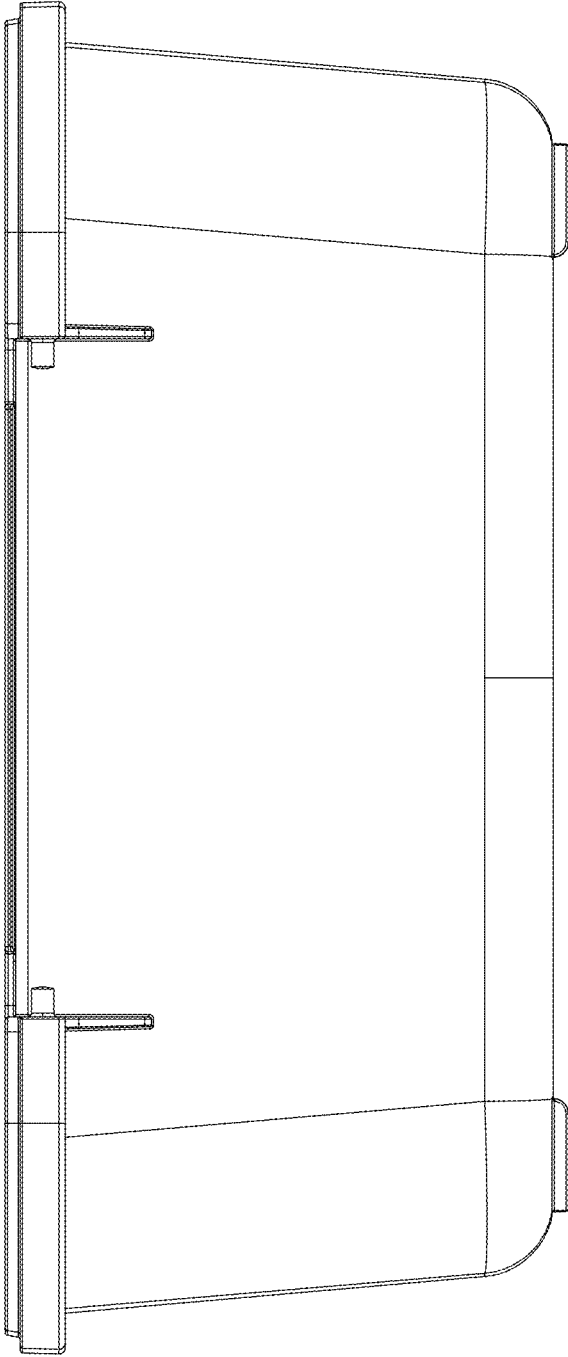


FIG. 5

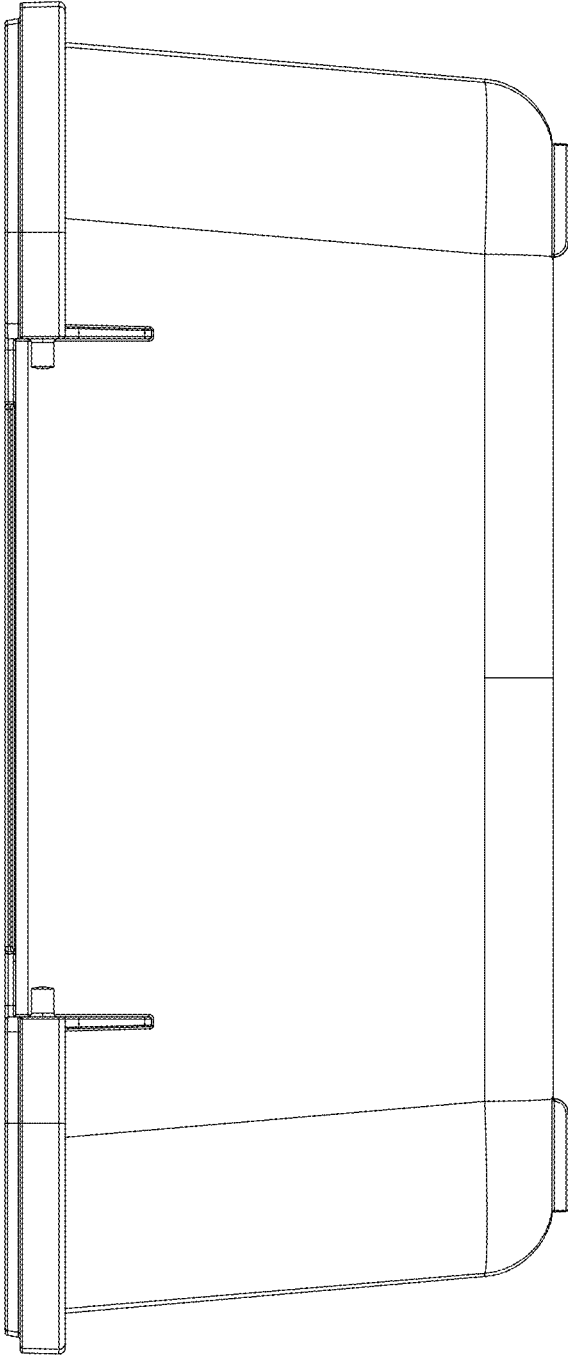


FIG. 6

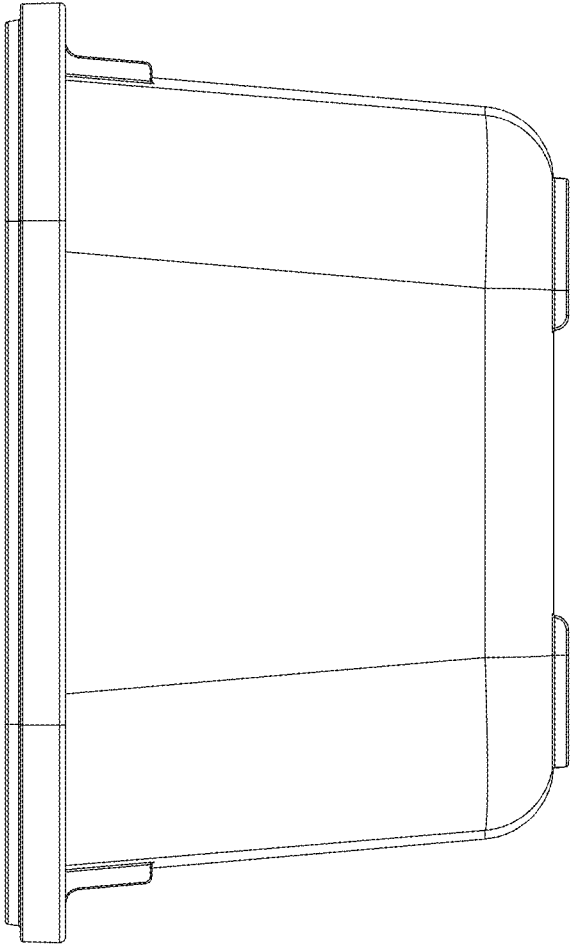


FIG. 7

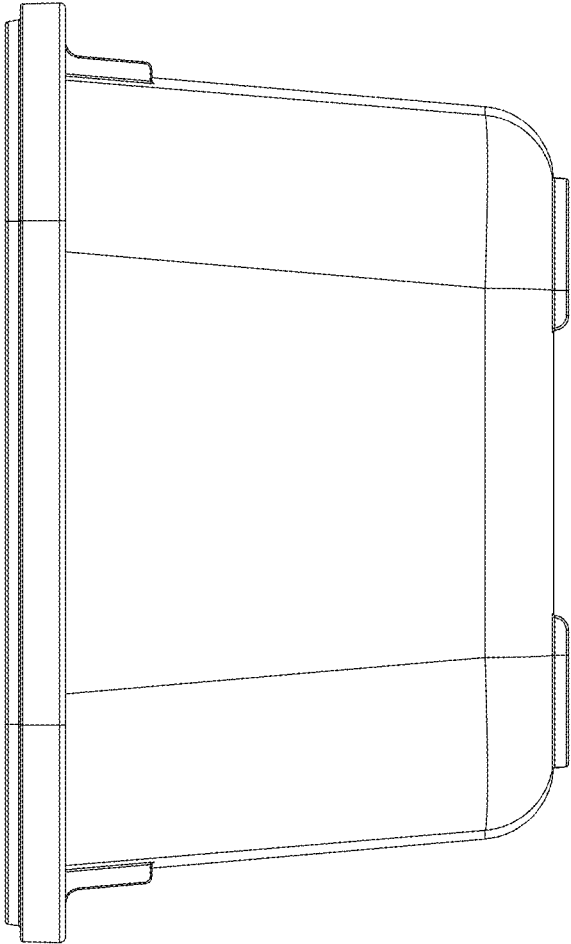


FIG. 8

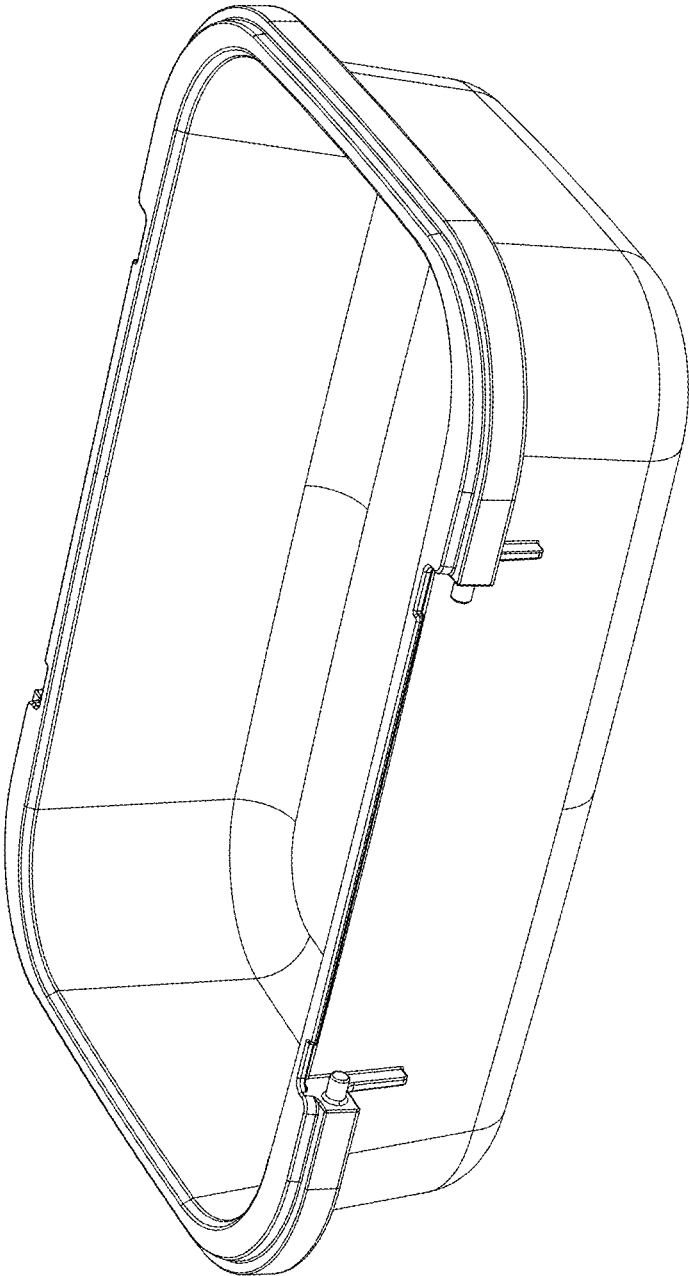


FIG. 9

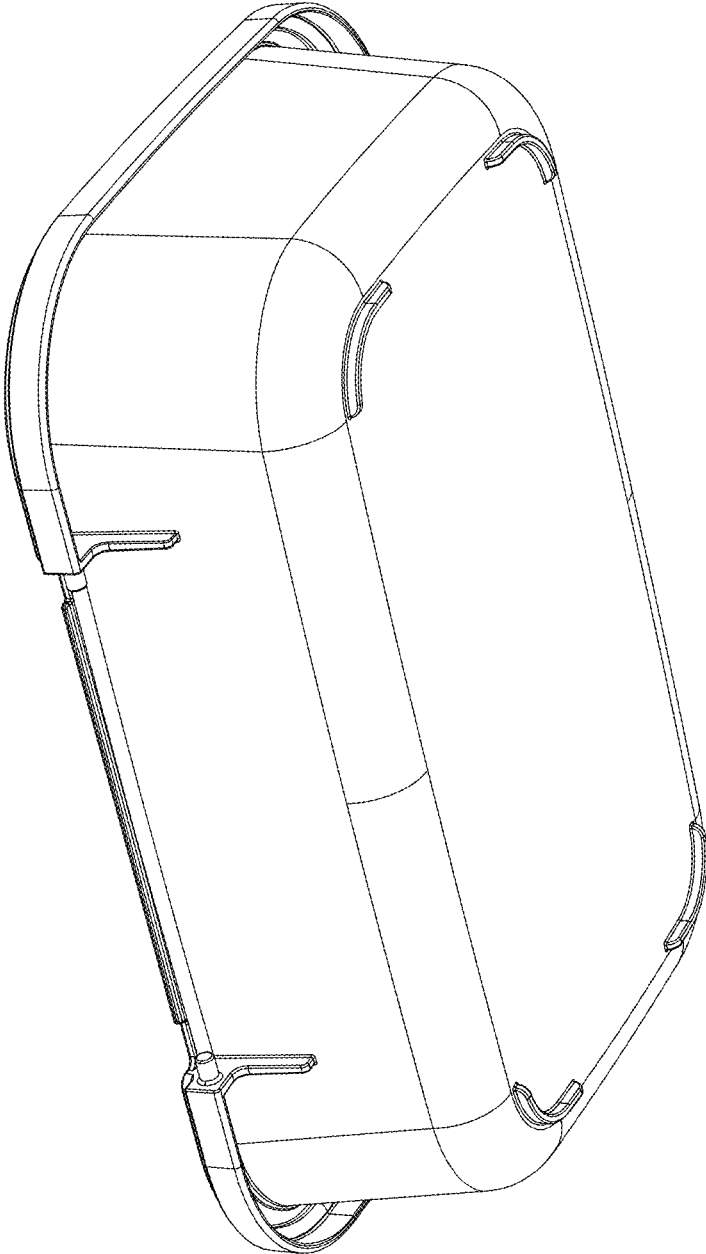


FIG. 10

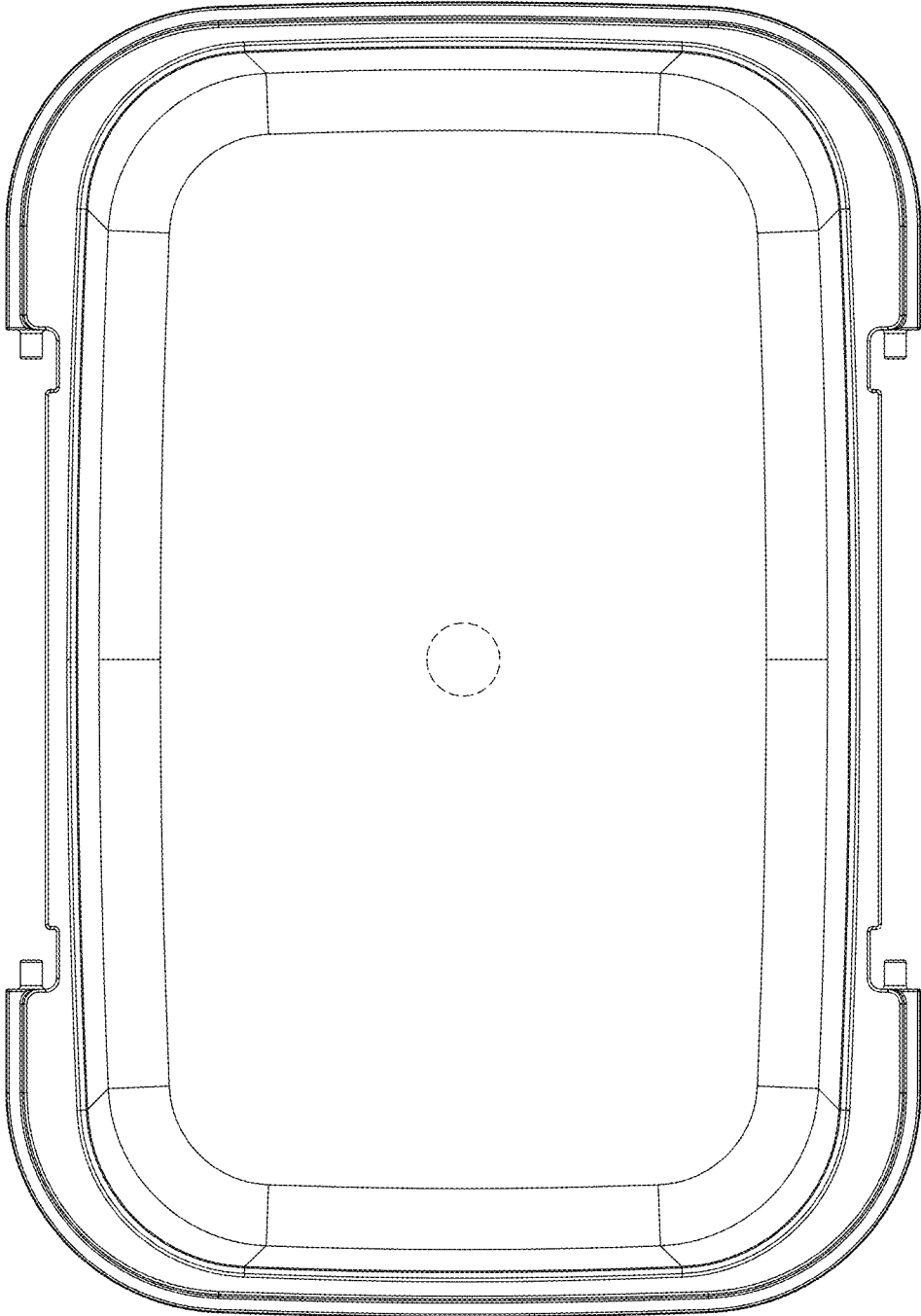


FIG. 11

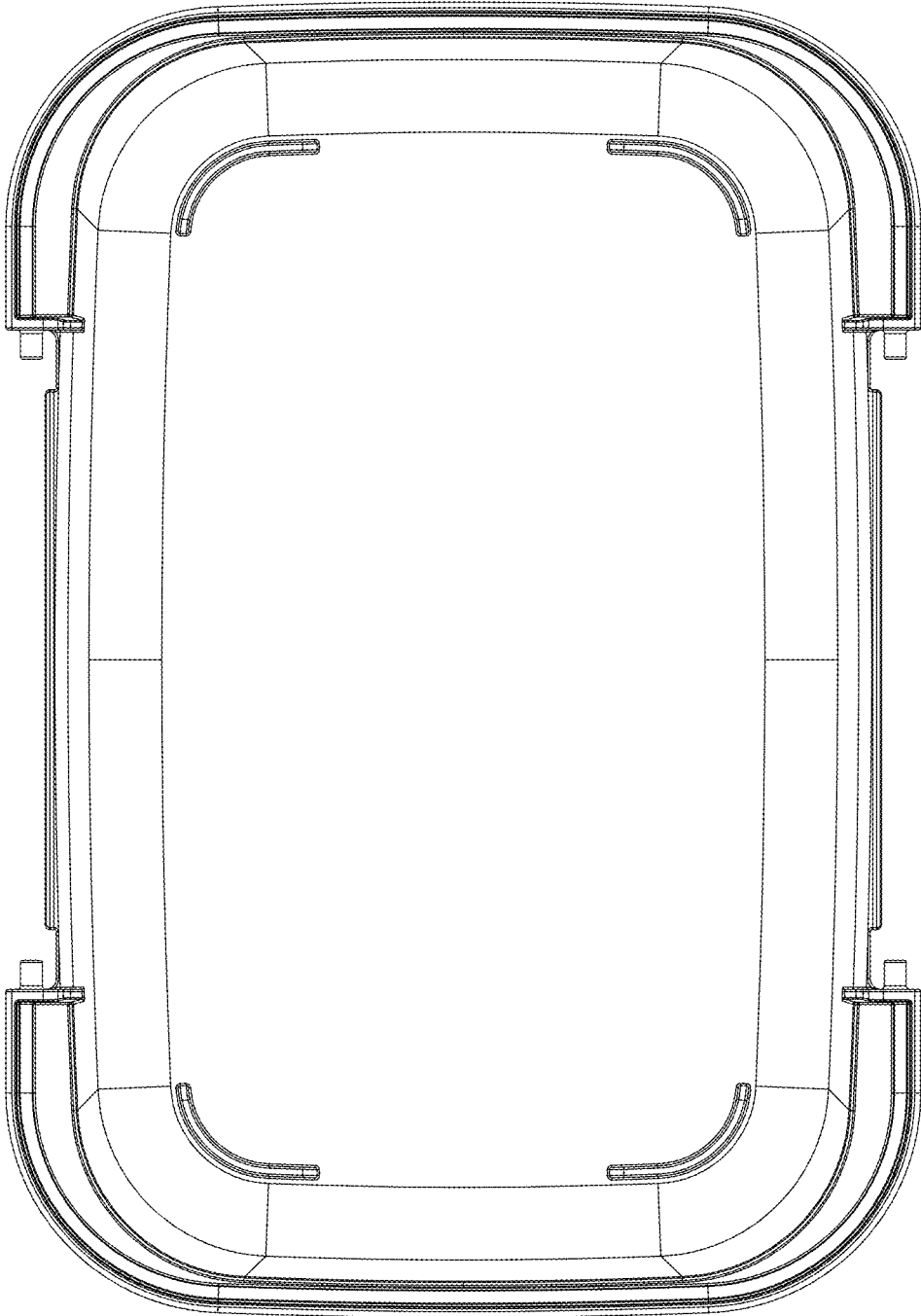


FIG. 12

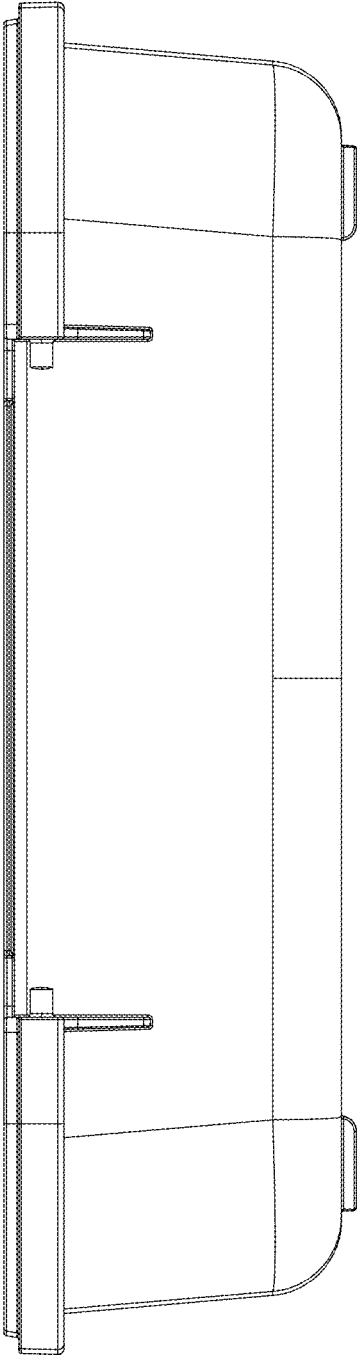


FIG. 13

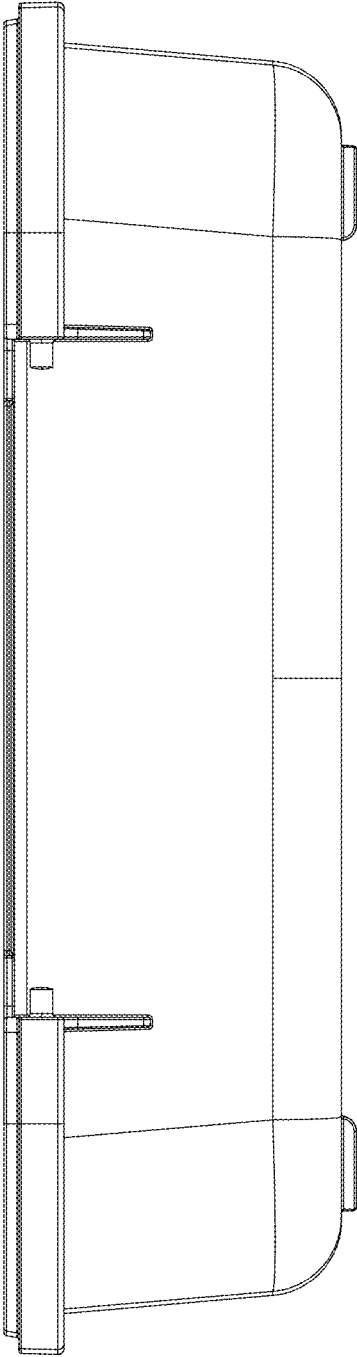


FIG. 14

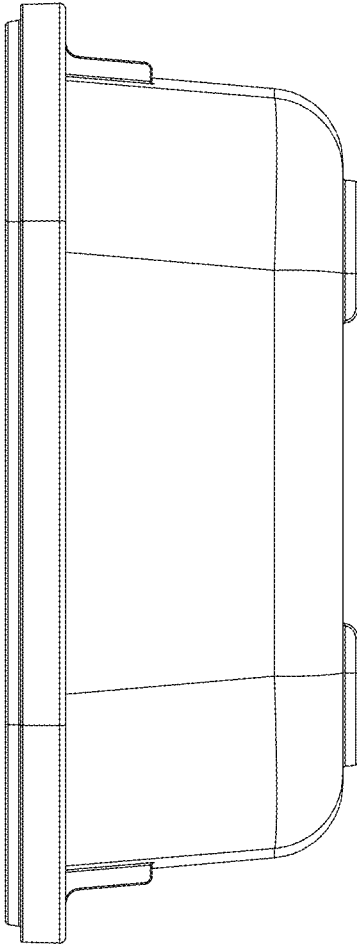


FIG. 15

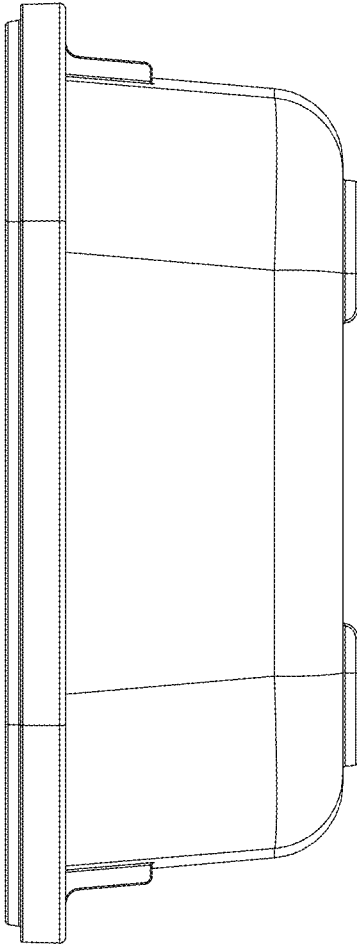


FIG. 16

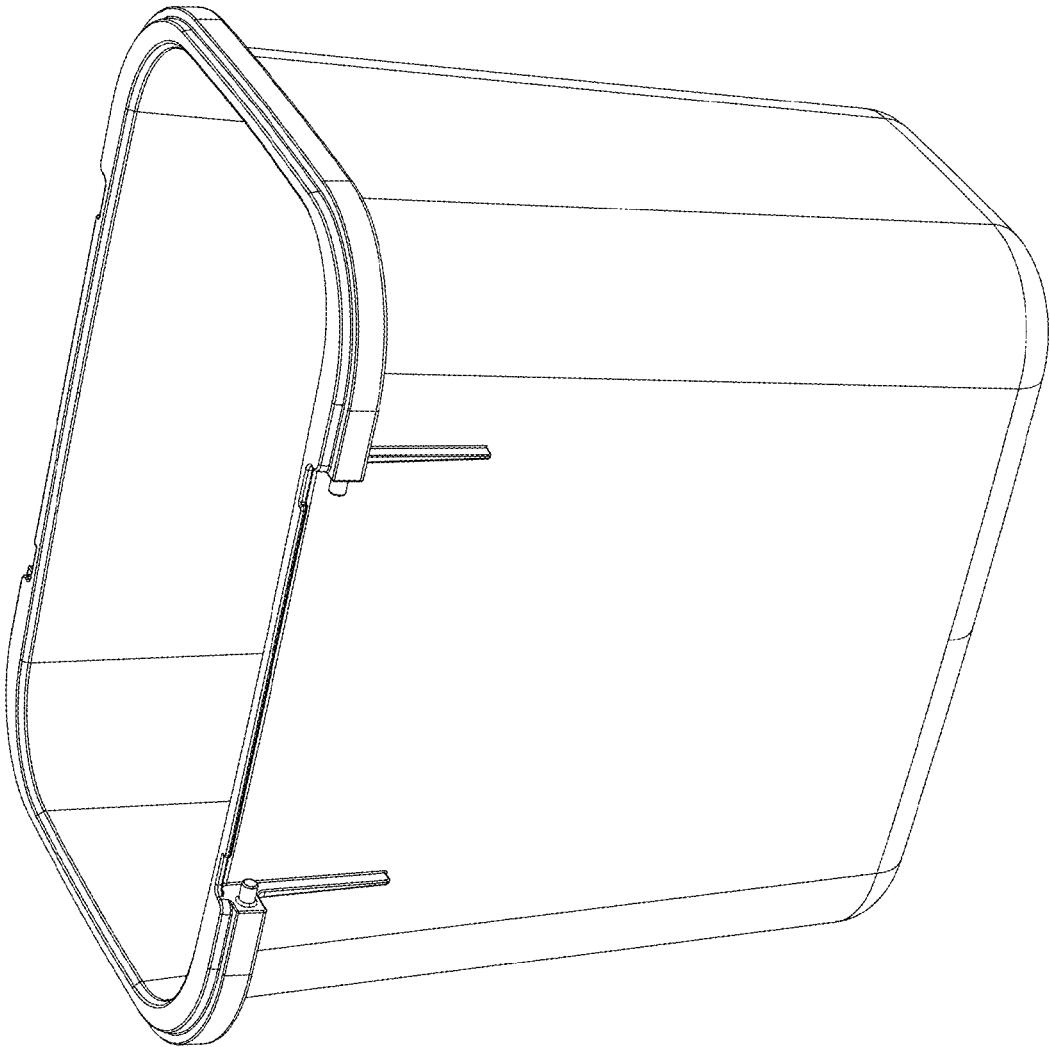


FIG. 17

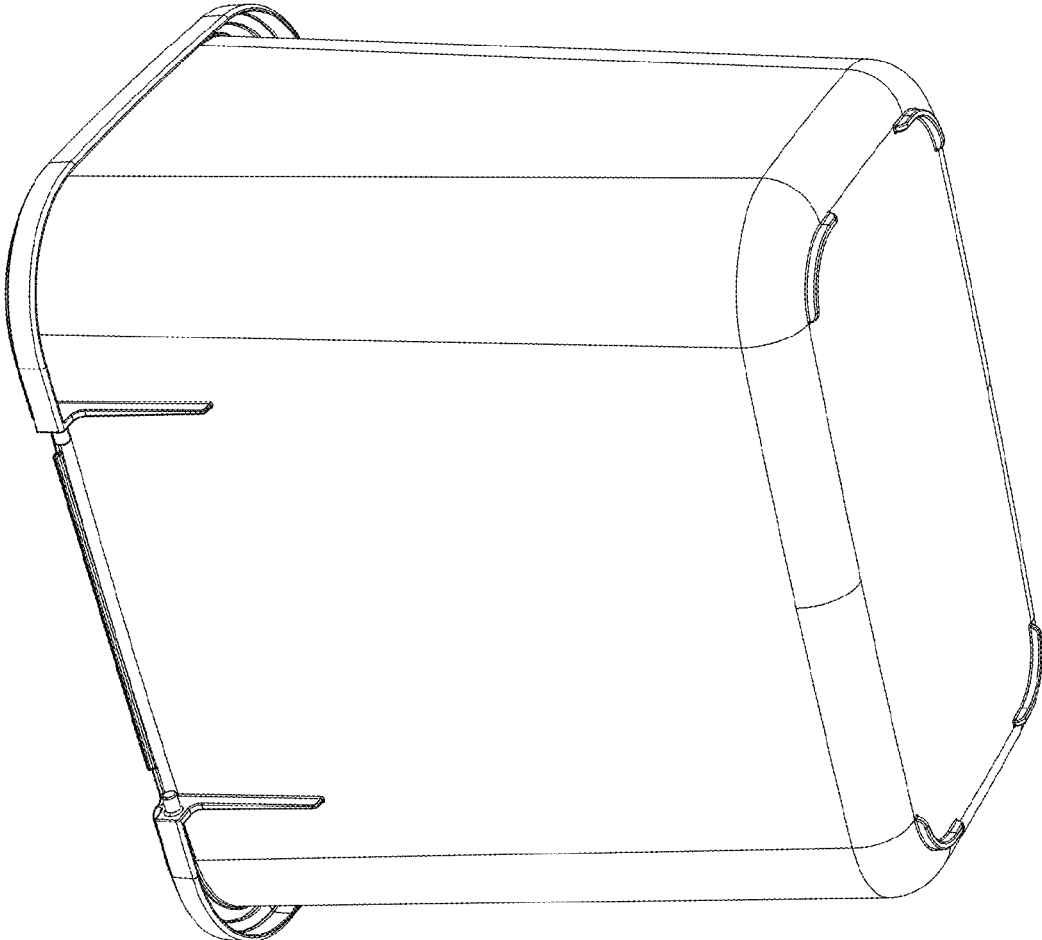


FIG. 18

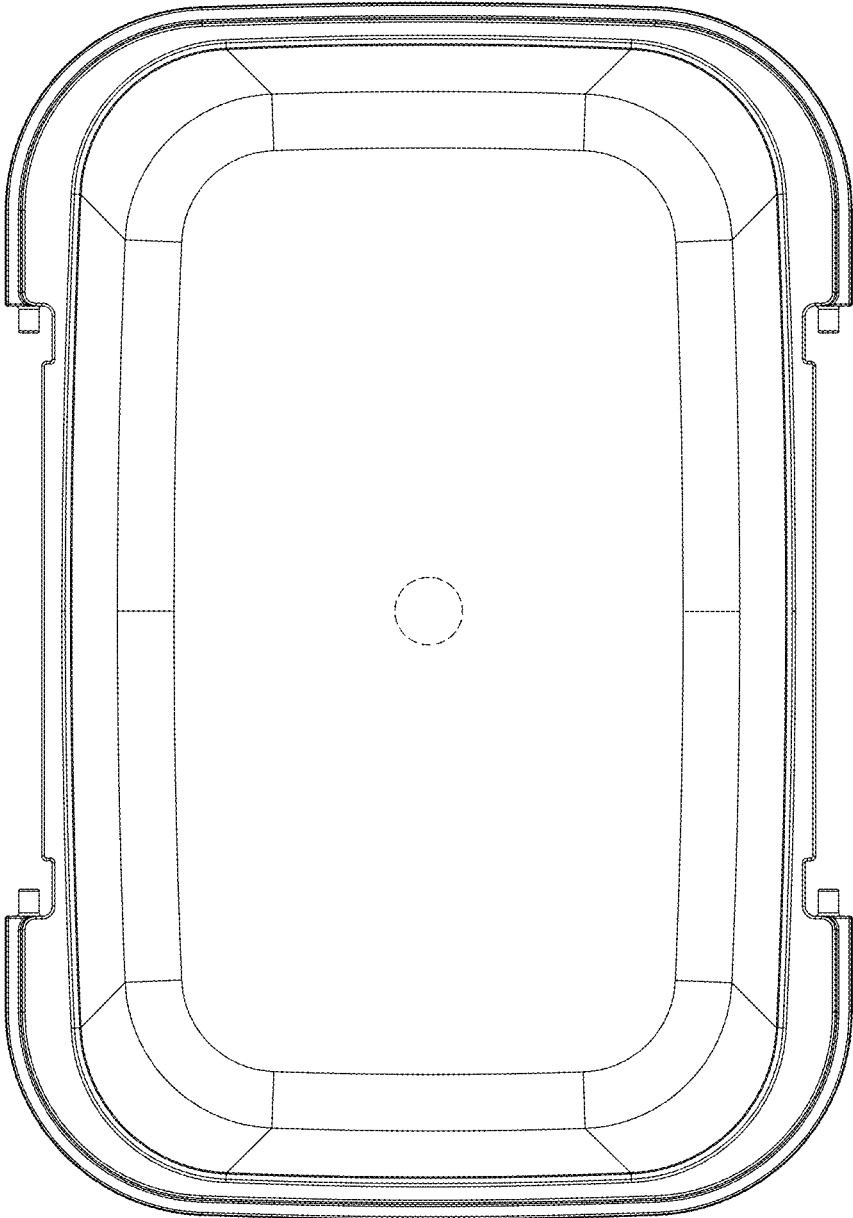


FIG. 19

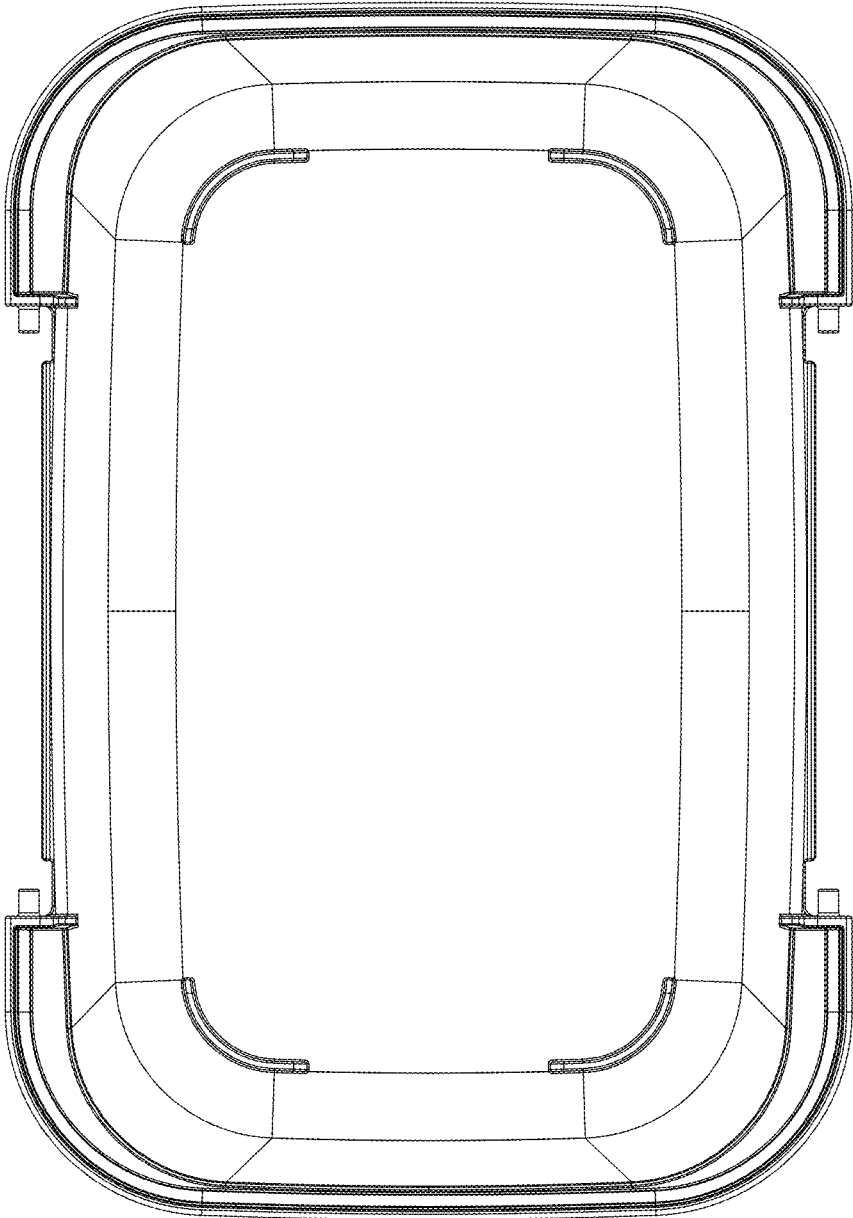


FIG. 20

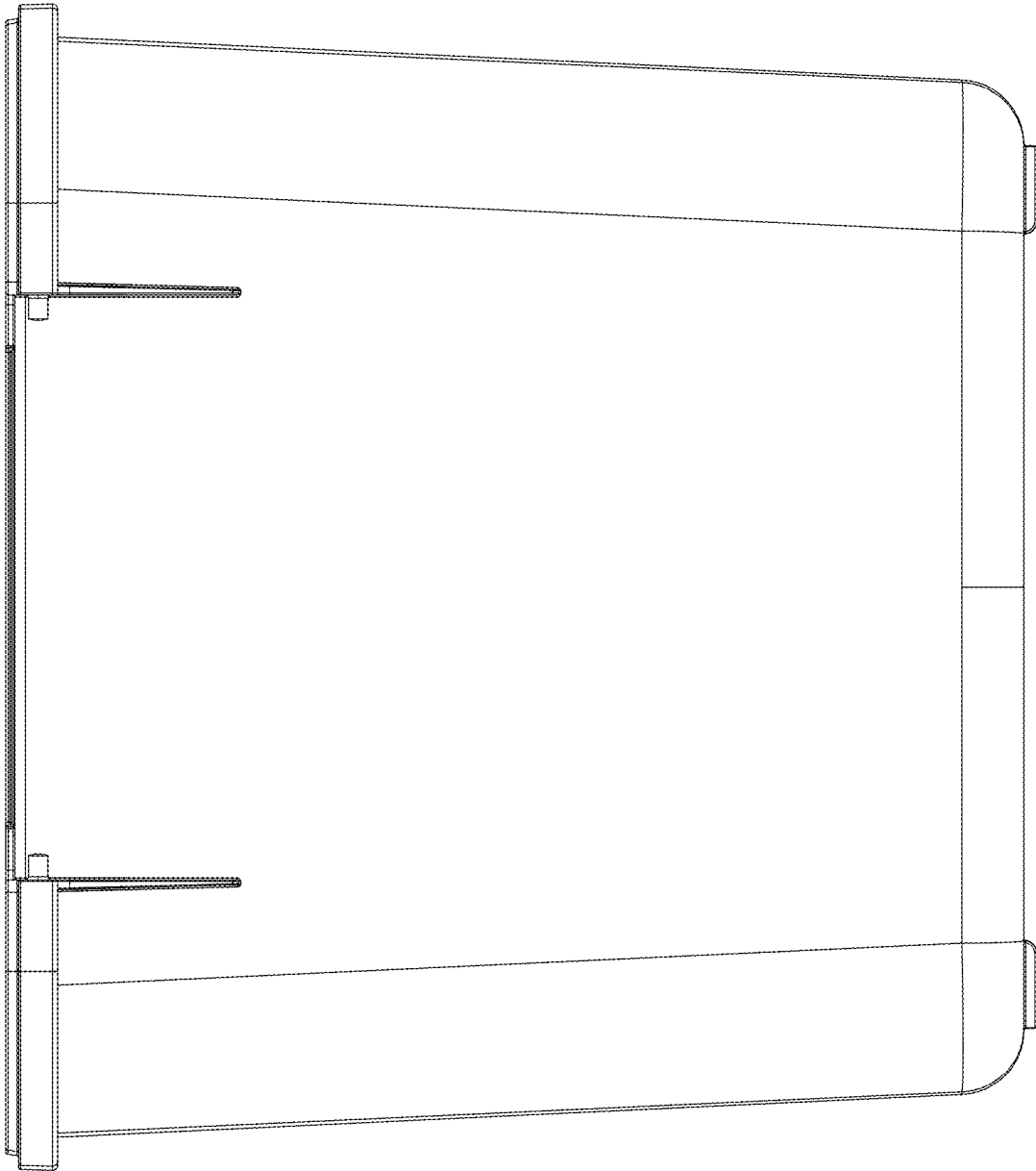


FIG. 21

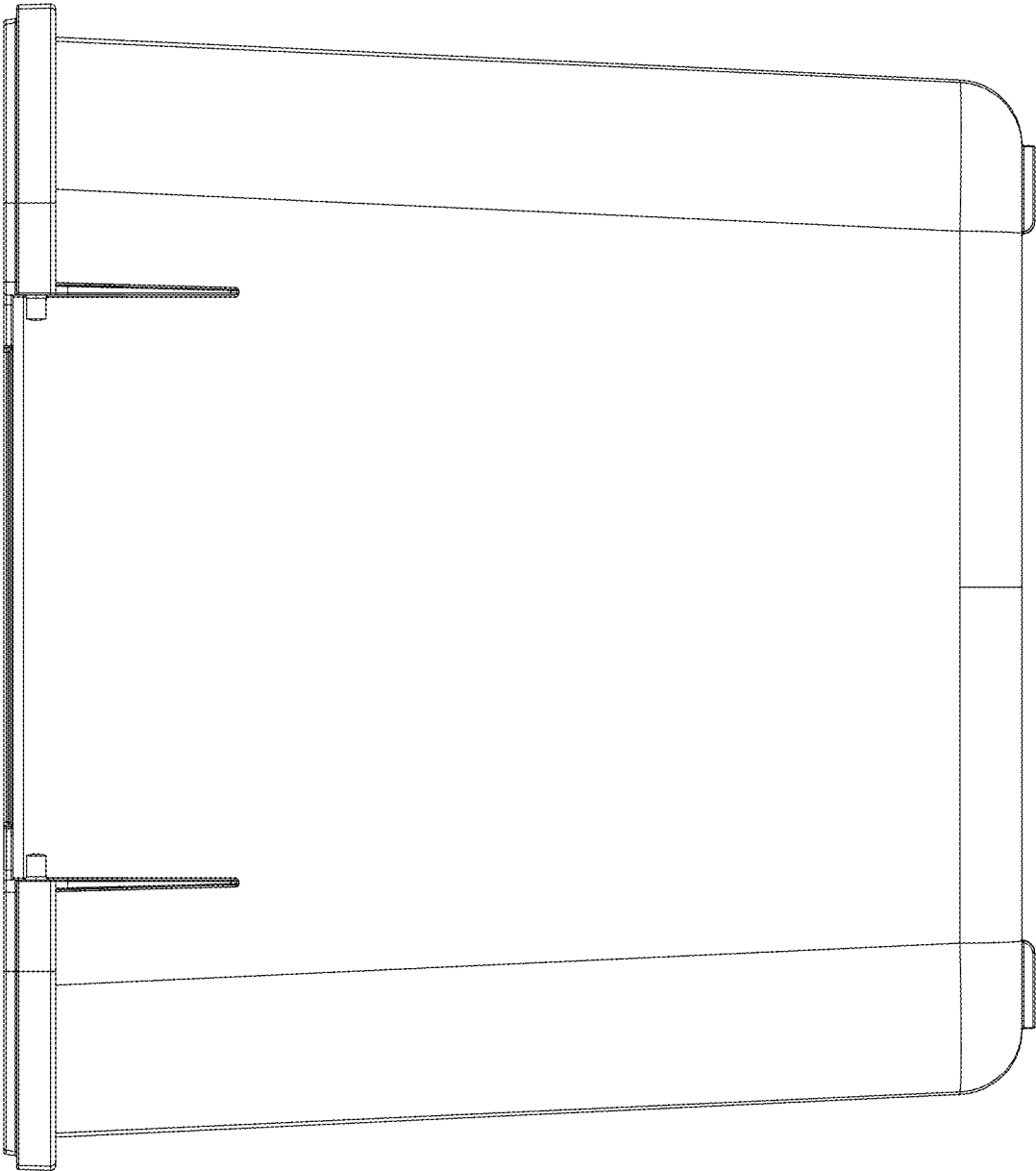


FIG. 22

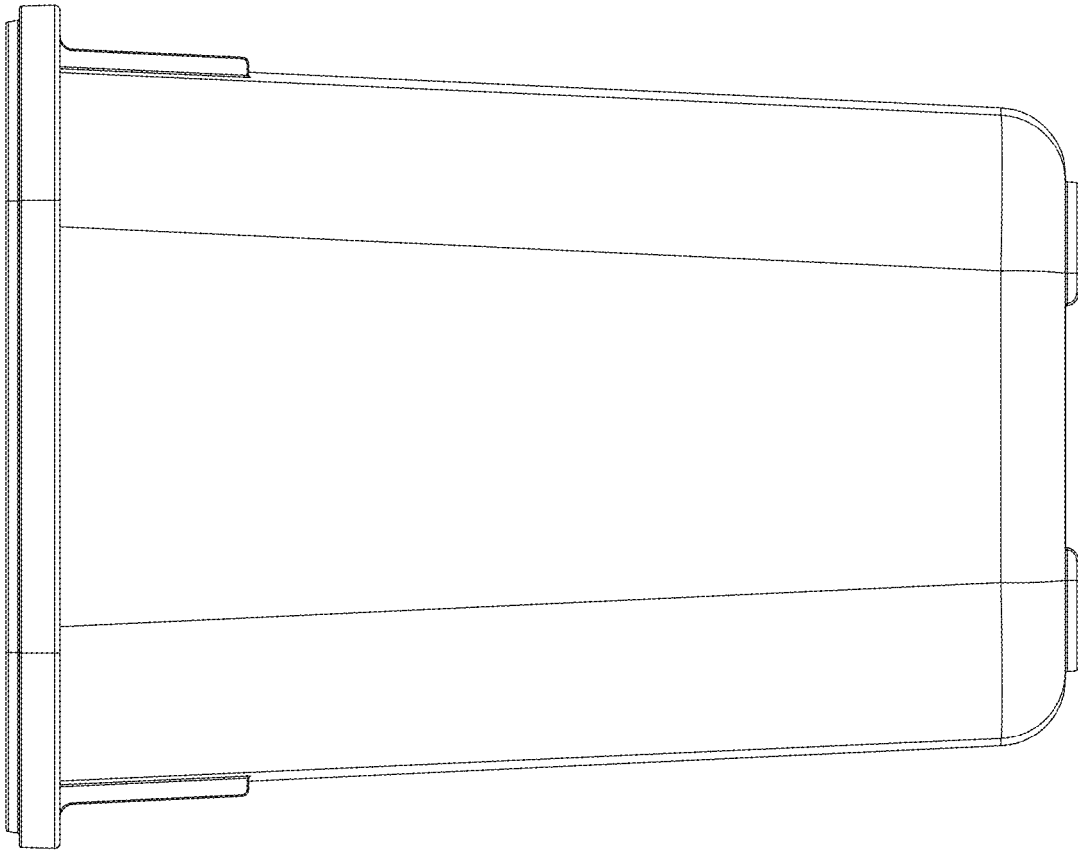


FIG. 23

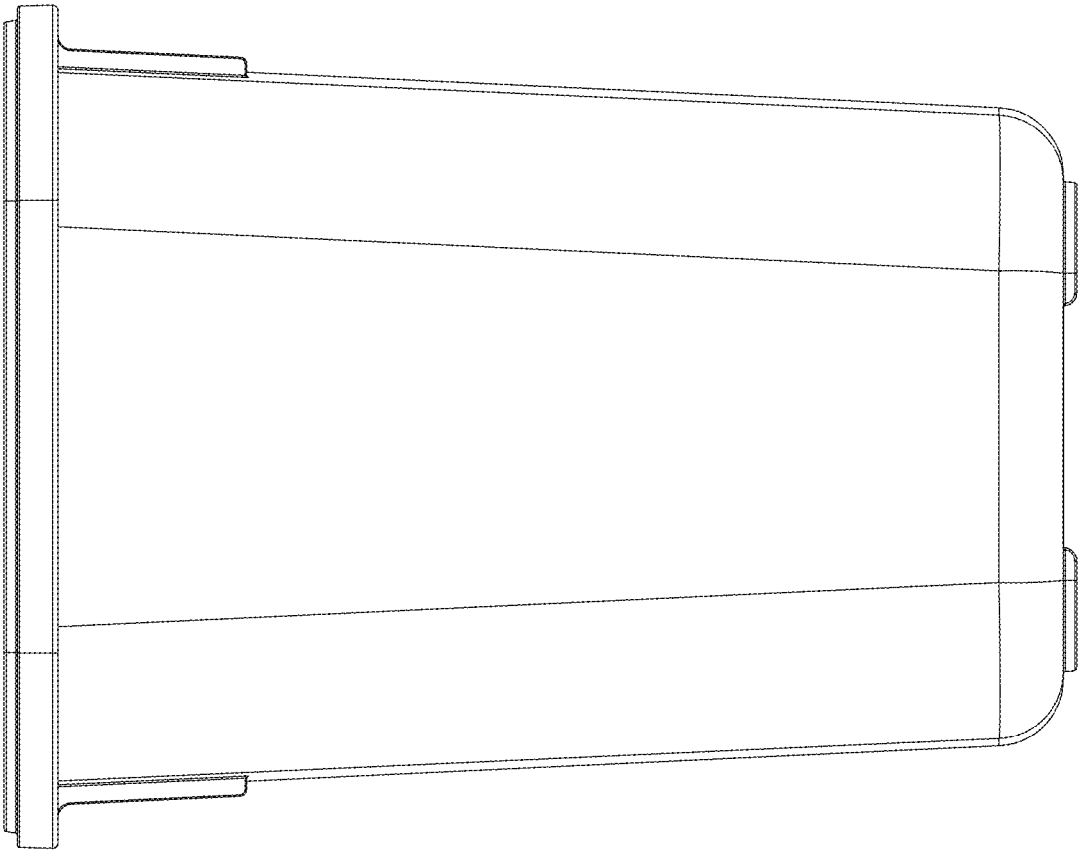


FIG. 24