

(19) World Intellectual Property Organization  
International Bureau



(43) International Publication Date  
6 March 2008 (06.03.2008)

PCT

(10) International Publication Number  
WO 2008/027319 A3

(51) International Patent Classification:  
A61B 5/15 (2006.01)

(21) International Application Number:  
PCT/US2007/018780

(22) International Filing Date: 27 August 2007 (27.08.2007)

(25) Filing Language: English

(26) Publication Language: English

(30) Priority Data:  
11/510,784 28 August 2006 (28.08.2006) US

(71) Applicant (for all designated States except US): INTUITY  
MEDICAL, INC. [US/US]; 350 Potrero Avenue, Sunny-  
vale, California 94085 (US).

(72) Inventors; and

(75) Inventors/Applicants (for US only): ESCUTIA, Raul  
[US/US]; 260 Palo Alto Avenue, Palo Alto, California  
94301 (US). EMERY, Jeffrey, L. [US/US]; 338 Lakeview  
Way, Redwood City, California 94062 (US). LITHE-  
LAND, Craig, M. [US/US]; 22068 San Fernando Court,  
Cupertino, California 95014 (US). JONES, Jeffrey,  
M. [US/US]; 530 South Bayview Avenue, Sunnyvale,  
California 94086 (US). LONEY, Gregory, C. [US/US];

1849 Alford Avenue, Los Altos, California 94024 (US).  
TOMASCO, Michael, F. [US/US]; 601 Almond Avenue,  
Los Altos, California 94022 (US).

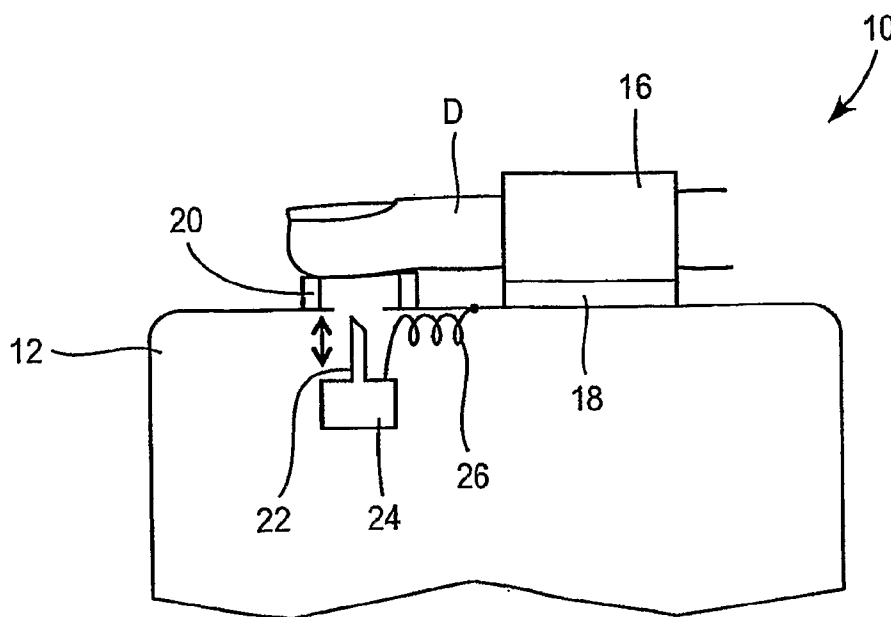
(74) Agent: CUMMINGS, Scott, W.; Buchanan Ingersoll &  
Rooney P.C., P.O. Box 1404, Alexandria, VA 22313-1404  
(US).

(81) Designated States (unless otherwise indicated, for every  
kind of national protection available): AE, AG, AL, AM,  
AT, AU, AZ, BA, BB, BG, BH, BR, BW, BY, BZ, CA, CH,  
CN, CO, CR, CU, CZ, DE, DK, DM, DO, DZ, EC, EE, EG,  
ES, FI, GB, GD, GE, GH, GM, GT, HN, HR, HU, ID, IL,  
IN, IS, JP, KE, KG, KM, KN, KP, KR, KZ, LA, LC, LK,  
LR, LS, LT, LU, LY, MA, MD, ME, MG, MK, MN, MW,  
MX, MY, MZ, NA, NG, NI, NO, NZ, OM, PG, PH, PL,  
PT, RO, RS, RU, SC, SD, SE, SG, SK, SL, SM, SV, SY,  
TJ, TM, TN, TR, TT, TZ, UA, UG, US, UZ, VC, VN, ZA,  
ZM, ZW.

(84) Designated States (unless otherwise indicated, for every  
kind of regional protection available): ARIPO (BW, GH,  
GM, KE, LS, MW, MZ, NA, SD, SL, SZ, TZ, UG, ZM,  
ZW), Eurasian (AM, AZ, BY, KG, KZ, MD, RU, TJ, TM),  
European (AT, BE, BG, CH, CY, CZ, DE, DK, EE, ES, FI,  
FR, GB, GR, HU, IE, IS, IT, LT, LU, LV, MC, MT, NL, PL,

[Continued on next page]

(54) Title: BODY FLUID MONITORING AND SAMPLING DEVICES AND METHODS



(57) Abstract: An integrated monitoring and body fluid sampling device constructed to permit digital as well as alternate-site body fluid sampling and analysis, the device comprising: a housing; at least one skin-penetration member; and a member constructed for the application of circumferential or vacuum pressure to an appendage; wherein the member is detachably or retractably connected to the housing in a manner such that the integrated monitoring and body fluid sampling device can perform digital or alternate-site body fluid sampling and analysis. Additional arrangements and techniques are also described.

WO 2008/027319 A3



PT, RO, SE, SI, SK, TR), OAPI (BF, BJ, CF, CG, CI, CM, GA, GN, GQ, GW, ML, MR, NE, SN, TD, TG).

**Published:**

- *with international search report*
- *before the expiration of the time limit for amending the claims and to be republished in the event of receipt of amendments*

**Declarations under Rule 4.17:**

- *as to applicant's entitlement to apply for and be granted a patent (Rule 4.17(ii))*
- *as to the applicant's entitlement to claim the priority of the earlier application (Rule 4.17(iii))*

**(88) Date of publication of the international search report:**

2 May 2008

## INTERNATIONAL SEARCH REPORT

International application No.

PCT/US07/18780

<b>A. CLASSIFICATION OF SUBJECT MATTER</b> IPC(8) - A61B 5/15 (2007.10) USPC - 606/181 According to International Patent Classification (IPC) or to both national classification and IPC		
<b>B. FIELDS SEARCHED</b> Minimum documentation searched (classification system followed by classification symbols) IPC(8) - A61B 5/15 (2007.10) USPC - 606/181 Documentation searched other than minimum documentation to the extent that such documents are included in the fields searched Electronic data base consulted during the international search (name of data base and, where practicable, search terms used) PatBase		
<b>C. DOCUMENTS CONSIDERED TO BE RELEVANT</b>		
Category*	Citation of document, with indication, where appropriate, of the relevant passages	Relevant to claim No.
X - Y	JP 10024028 A2 (NAGATA et al) 27 January 1998 (27.01.1998) entire document	1, 4-8, 12-13, 15, 18-20, 23-25, 28, 38
Y	US 2004/0098009 A1 (BOECKER et al) 20 May 2004 (20.05.2004) entire document	21
Y	US 2005/0277972 A1 (WONG et al) 15 December 2005 (15.12.2005) entire document	35-37
Y	US 2004/0191119 A1 (ZANZUCCHI et al) 30 September 2004 (30.09.2004) entire document	10-11
Y	US 7,066,890 B1 (LAM et al) 27 June 2006 (27.06.2006) entire document	34
Y	US 2006/0189908 A1 (KENNEDY) 24 August 2006 (24.08.2006) entire document	29
Y	US 2005/0245844 A1 (MACE et al) 03 November 2005 (03.11.2005) entire document	9
Y	US 2005/0187532 A1 (THURAU et al) 25 August 2005 (25.08.2005) entire document	14
Y	US 2004/0238675 A1 (BANASZKIEWICZ et al) 02 December 2004 (02.12.2004) entire document	31
Y	WO 2005/006939 A2 (BRIGGS et al) 27 January 2005 (27.01.2005) entire document	26-27
<input checked="" type="checkbox"/> Further documents are listed in the continuation of Box C. <input type="checkbox"/>		
* Special categories of cited documents: "A" document defining the general state of the art which is not considered to be of particular relevance "E" earlier application or patent but published on or after the international filing date "L" document which may throw doubts on priority claim(s) or which is cited to establish the publication date of another citation or other special reason (as specified) "O" document referring to an oral disclosure, use, exhibition or other means "P" document published prior to the international filing date but later than the priority date claimed "T" later document published after the international filing date or priority date and not in conflict with the application but cited to understand the principle or theory underlying the invention "X" document of particular relevance; the claimed invention cannot be considered novel or cannot be considered to involve an inventive step when the document is taken alone "Y" document of particular relevance; the claimed invention cannot be considered to involve an inventive step when the document is combined with one or more other such documents, such combination being obvious to a person skilled in the art "&" document member of the same patent family		
Date of the actual completion of the international search		Date of mailing of the international search report
02 January 2008		03 MAR 2008
Name and mailing address of the ISA/US Mail Stop PCT, Attn: ISA/US, Commissioner for Patents P.O. Box 1450, Alexandria, Virginia 22313-1450 Facsimile No. 571-273-3201		Authorized officer: Blaine R. Copenheaver PCT Helpdesk: 571-272-4300 PCT OSP: 571-272-7774

## INTERNATIONAL SEARCH REPORT

International application No.

PCT/US07/18780

C (Continuation). DOCUMENTS CONSIDERED TO BE RELEVANT		
Category*	Citation of document, with indication, where appropriate, of the relevant passages	Relevant to claim No.
Y	US 5,275,159 A (GRIEBEL) 04 January 1994 (04.01.1994) entire document	30, 32
Y	US 2006/0135873 A1 (KARO et al) 22 June 2006 (22.06.2006) entire document	33
Y	JP 9266889 A2 (NAGATA et al) 14 October 1997 (14.10.1997) entire document	2-3, 9-11
Y	JP 63305841 A2 (HIGASHIISOKAWA et al) 13 December 1998 (13.12.1998) entire document	16
Y	US 2006/0117616 A1 (JONES et al) 08 June 2006 (08.06.2006) entire document	17