



US0D1027349S

(12) **United States Design Patent**
Laroche et al.

(10) **Patent No.:** **US D1,027,349 S**

(45) **Date of Patent:** **** May 14, 2024**

- (54) **DISH RACK**
 - (71) Applicant: **Helen of Troy Limited**, St. Michael (BB)
 - (72) Inventors: **Juliette Laroche**, San Francisco, CA (US); **Dzmitry Varhan**, Dingmans Ferry, PA (US)
 - (73) Assignee: **Helen of Troy Limited**, St. Michael (BB)
 - (**) Term: **15 Years**
 - (21) Appl. No.: **29/852,418**
 - (22) Filed: **Sep. 7, 2022**
 - (51) **LOC (14) Cl.** **07-05**
 - (52) **U.S. Cl.**
USPC **D32/55**
 - (58) **Field of Classification Search**
USPC D32/1, 55-59
CPC A47L 15/507; A47L 15/0002; A47L 15/0005; A47L 15/0007; A47L 15/0013; A47L 15/0015; A47L 15/00; A47L 15/001; A47L 15/50; A47L 15/503; A47L 15/504; A47L 19/00; A47L 19/02; A47L 19/04; A47L 15/501; A47L 15/502; A47L 15/505; A47L 15/506; A47L 17/02; A47J 47/20; A47J 47/16; D06F 57/08; D06F 57/12; D06F 58/14; D06F 60/00; D06F 53/02; D06F 53/005; D06F 53/00; D06F 53/045; D06F 53/04
- See application file for complete search history.

D914,312 S	3/2021	Cheng	
D921,318 S *	6/2021	Ling	D32/55
D921,319 S *	6/2021	Xie	D32/55
D961,877 S *	8/2022	Lin	D32/55
D967,583 S *	10/2022	Zheng	D32/55
D976,509 S *	1/2023	Yang	D32/55
D977,775 S *	2/2023	Zhang	D32/55
D981,795 S *	3/2023	Zhong	D7/601
D1,017,167 S *	3/2024	Yang	D32/55

OTHER PUBLICATIONS

Amazon.com—Vevor Dish Drying Rack https://www.amazon.com/VEVOR-Expandable-Stainless-Drainboard-Capacity/dp/B0C4P3Q84G/ref=sr_1_81 (Year: 2023).*

* cited by examiner

Primary Examiner — Kevin K Rudzinski
Assistant Examiner — Richard E Yenchesky
(74) *Attorney, Agent, or Firm* — Rankin, Hill & Clark LLP

(57) **CLAIM**

The ornamental design for a dish rack, as shown and described.

DESCRIPTION

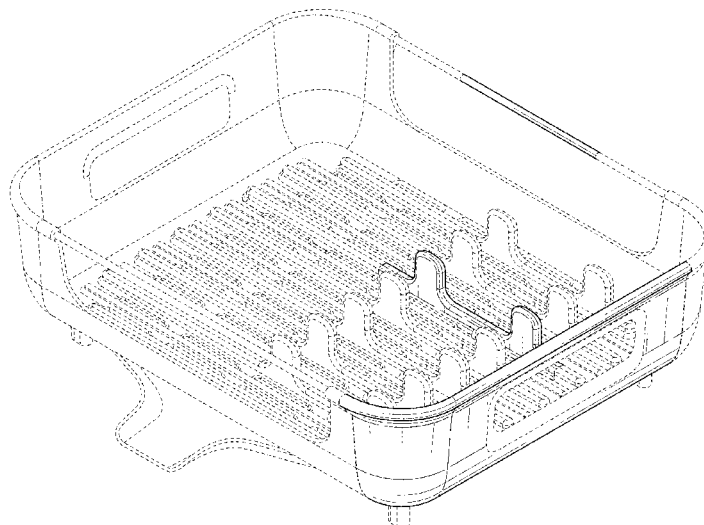
FIG. 1 is a perspective view of a dish rack showing our new design;
FIG. 2 is a front elevation view of FIG. 1;
FIG. 3 is a rear elevation view of FIG. 1;
FIG. 4 is a left side elevation view of FIG. 1;
FIG. 5 is a right side elevation view of FIG. 1;
FIG. 6 is a top plan view of FIG. 1; and,
FIG. 7 is a bottom plan view of FIG. 1.
The dash-dash broken lines shown in the figures represent portions of the dish rack that form no part of the claimed design. The dash-dot broken lines shown in the figures represent boundaries of the claim that form no part of the claimed design.

1 Claim, 5 Drawing Sheets

(56) **References Cited**

U.S. PATENT DOCUMENTS

D667,190 S *	9/2012	Miller	D32/55
D776,385 S *	1/2017	Evans	D32/55
D776,387 S *	1/2017	Chen	D32/56
D819,289 S	5/2018	Umholtz	
D825,874 S *	8/2018	Johnson	D32/55



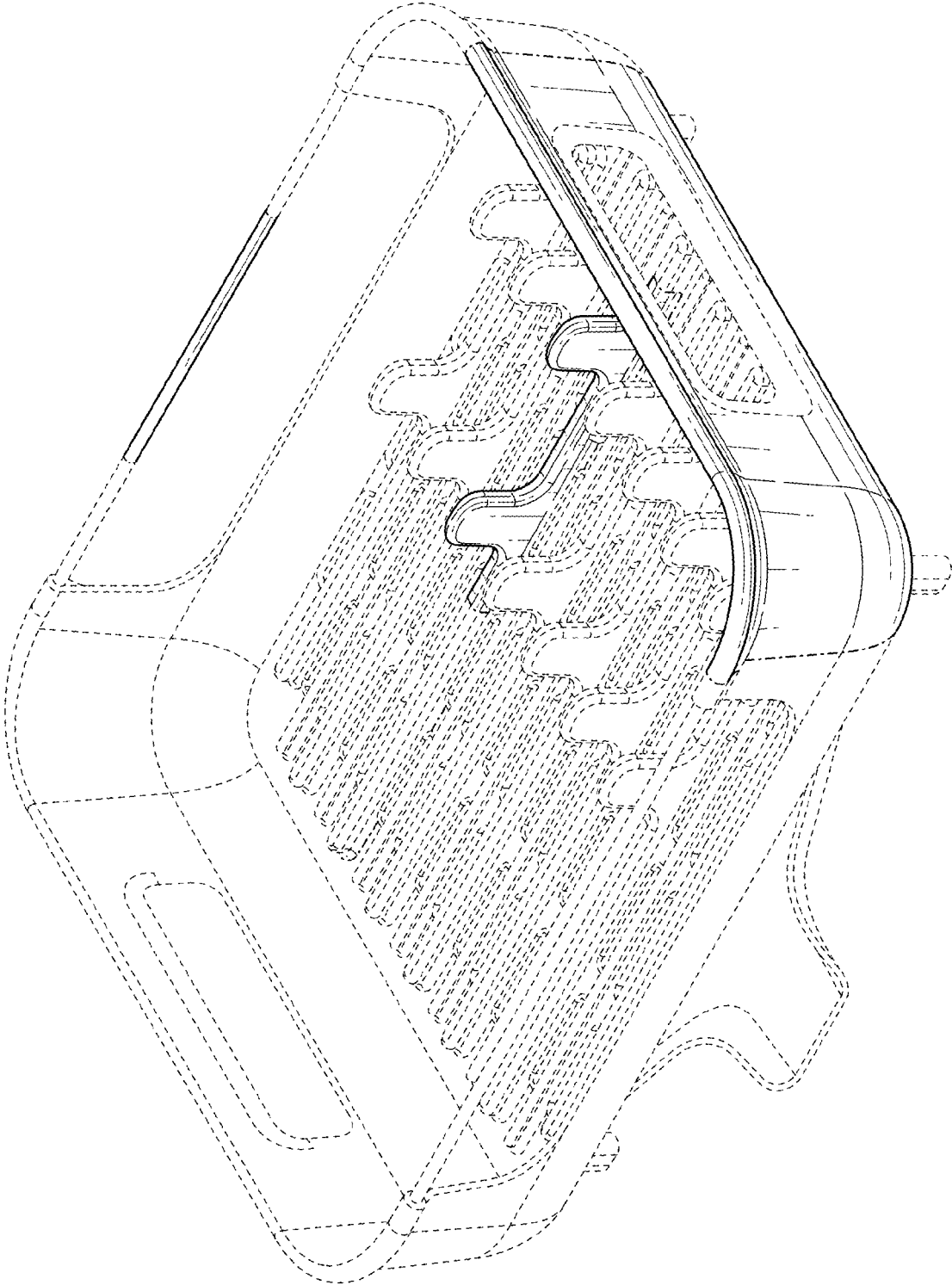


FIG. 1

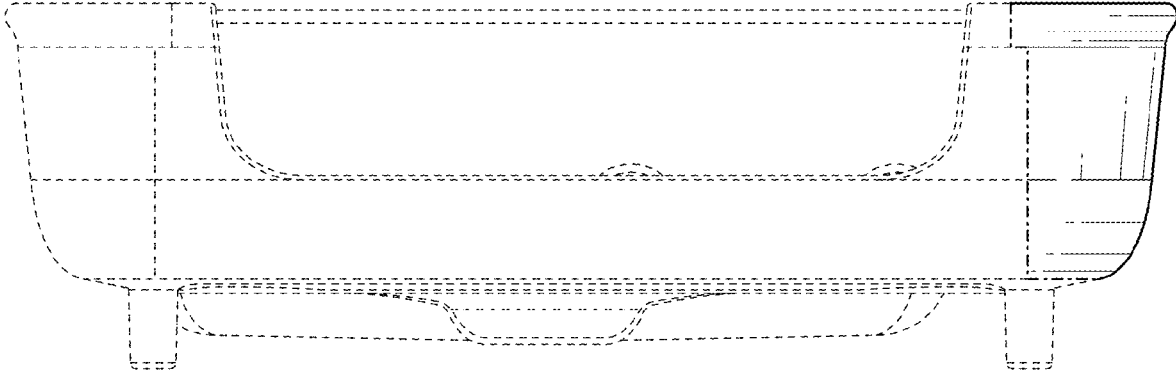


FIG. 2

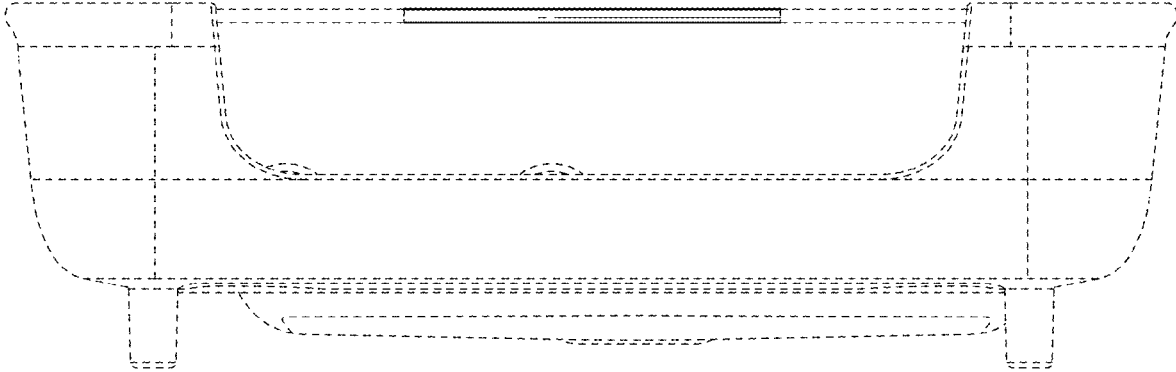


FIG. 3

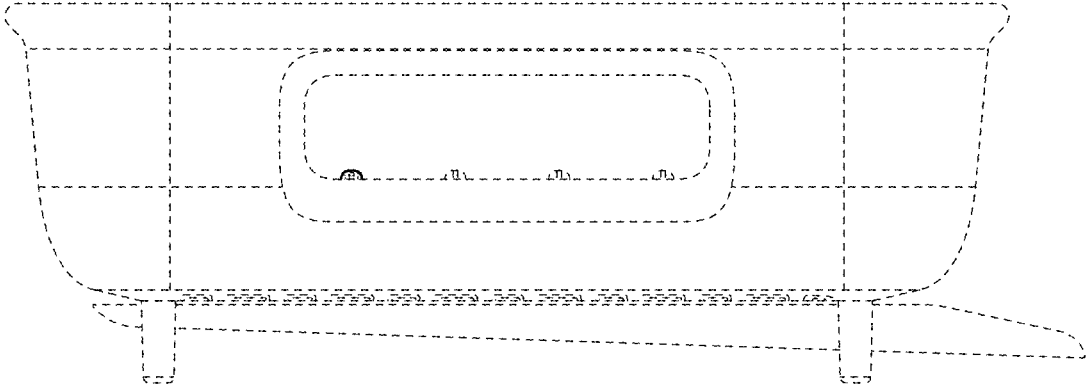


FIG. 4

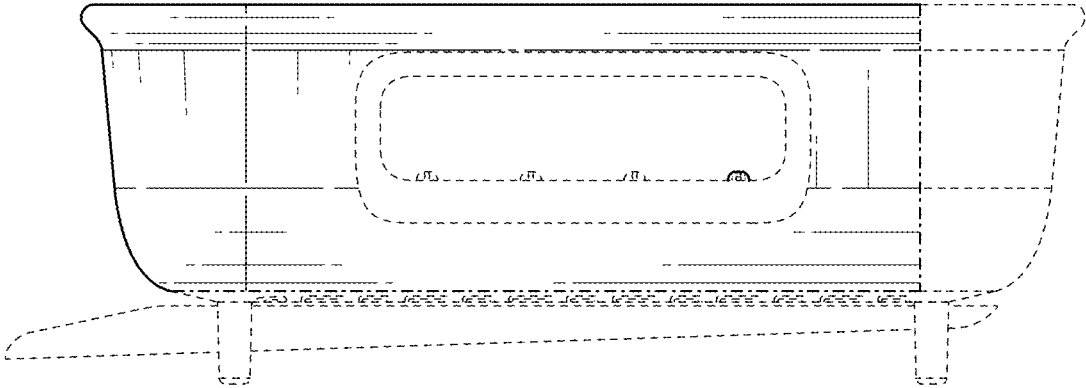


FIG. 5

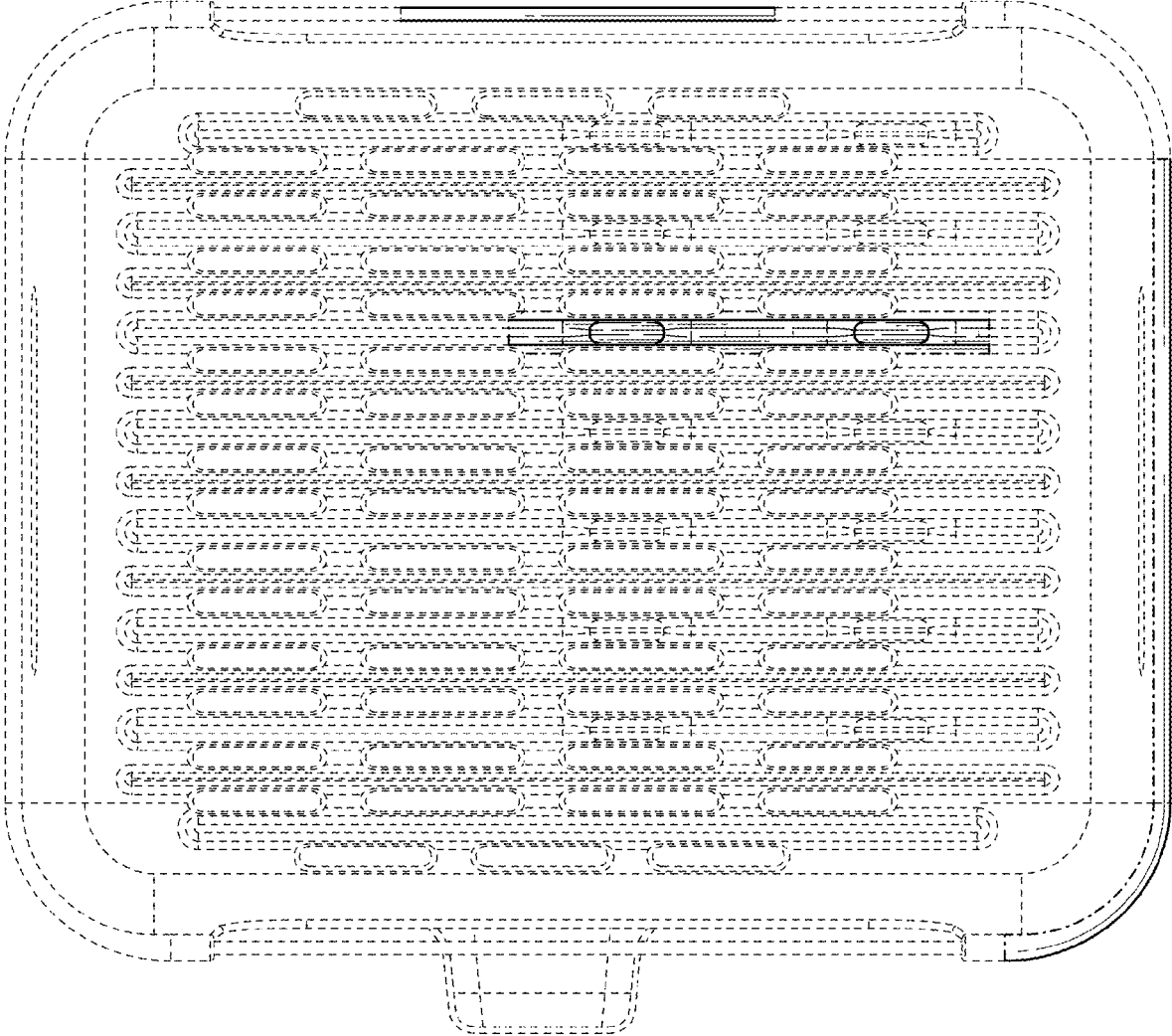


FIG. 6

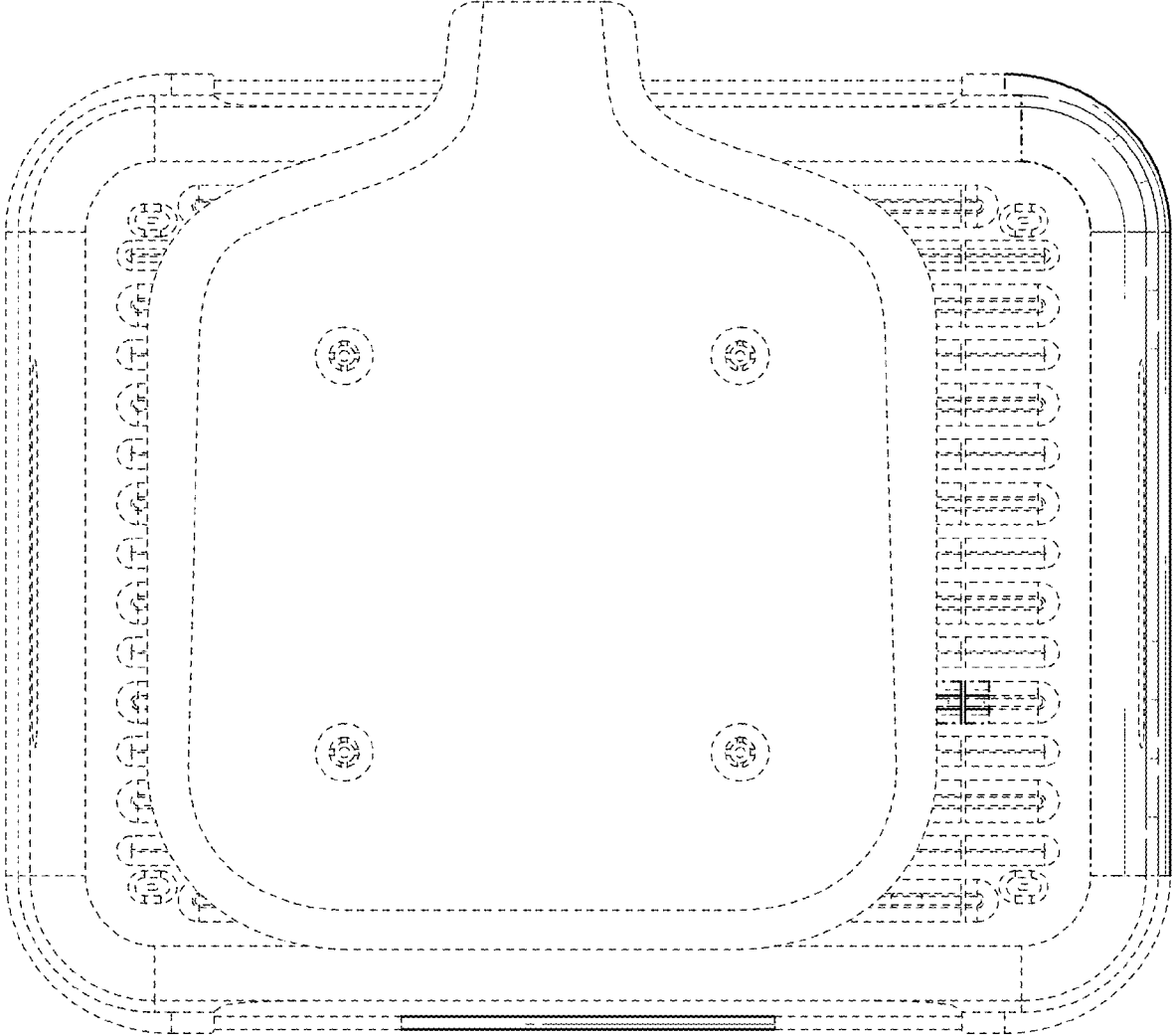


FIG. 7