

(19) World Intellectual Property Organization
International Bureau



(43) International Publication Date
2 August 2001 (02.08.2001)

PCT

(10) International Publication Number
WO 01/54965 A3

(51) International Patent Classification⁷: B62H 3/04 // 5/16

(21) International Application Number: PCT/DK01/00054

(22) International Filing Date: 25 January 2001 (25.01.2001)

(25) Filing Language: English

(26) Publication Language: English

(30) Priority Data:
BA 2000 00031 26 January 2000 (26.01.2000) DK

(71) Applicant and

(72) Inventor: KJÆRGAARD, Jens [DK/DK]; Skrånten 22,
Sevel, DK-7830 Vinderup (DK).

(74) Agent: PATENTGRUPPEN APS; Arosgården, Aaboulevarden 23, DK-8000 Aarhus C (DK).

(81) Designated States (*national*): AE, AG, AL, AM, AT, AU, AZ, BA, BB, BG, BR, BY, BZ, CA, CH, CN, CR, CU, CZ, DE, DE (utility model),

DK, DK (utility model), DM, DZ, EE, EE (utility model), ES, FI, FI (utility model), GB, GD, GE, GH, GM, HR, HU, ID, IL, IN, IS, JP, KE, KG, KP, KR, KZ, LC, LK, LR, LS, LT, LU, LV, MA, MD, MG, MK, MN, MW, MX, MZ, NO, NZ, PL, PT, RO, RU, SD, SE, SG, SI, SK, SK (utility model), SL, TJ, TM, TR, TT, TZ, UA, UG, US, UZ, VN, YU, ZA, ZW.

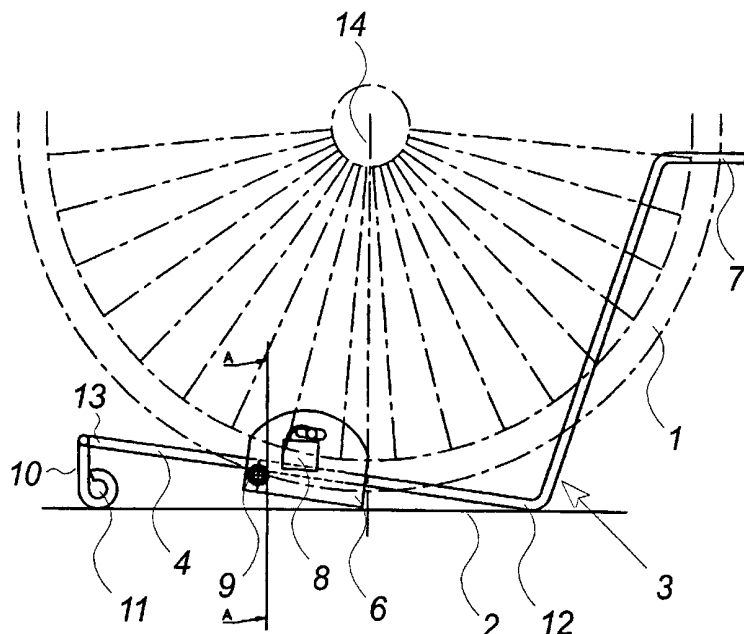
(84) Designated States (*regional*): ARIPO patent (GH, GM, KE, LS, MW, MZ, SD, SL, SZ, TZ, UG, ZW), Eurasian patent (AM, AZ, BY, KG, KZ, MD, RU, TJ, TM), European patent (AT, BE, CH, CY, DE, DK, ES, FI, FR, GB, GR, IE, IT, LU, MC, NL, PT, SE, TR), OAPI patent (BF, BJ, CF, CG, CI, CM, GA, GN, GW, ML, MR, NE, SN, TD, TG).

Published:
— with international search report

(88) Date of publication of the international search report:
13 December 2001

For two-letter codes and other abbreviations, refer to the "Guidance Notes on Codes and Abbreviations" appearing at the beginning of each regular issue of the PCT Gazette.

(54) Title: WHEEL SUPPORT DEVICE AND USE THEREOF



(57) Abstract: The invention relates to a wheel support device comprising a first frame part, a second frame part and a third frame part, where said first and second frame parts and said first and third frame parts are connected to each other. The first frame part has at least one first point of support for a wheel and the second frame part has at least one second point of support for a wheel, where said first and second points are placed on opposite sides of a vertical centre line of the wheel and at least one end of said first frame part is elevated by said third frame part in relation to a ground plane.



WO 01/54965 A3

INTERNATIONAL SEARCH REPORT

International Application No

PCT/DK 01/00054

A. CLASSIFICATION OF SUBJECT MATTER
 IPC 7 B62H3/04 //B62H5/16

According to International Patent Classification (IPC) or to both national classification and IPC

B. FIELDS SEARCHED

Minimum documentation searched (classification system followed by classification symbols)

IPC 7 B62H

Documentation searched other than minimum documentation to the extent that such documents are included in the fields searched

Electronic data base consulted during the international search (name of data base and, where practical, search terms used)

EPO-Internal

C. DOCUMENTS CONSIDERED TO BE RELEVANT

Category °	Citation of document, with indication, where appropriate, of the relevant passages	Relevant to claim No.
X	SE 95 188 C (J L OWEN ET AL) 21 March 1939 (1939-03-21) the whole document	1-3,11, 13-19
Y	---	5-10,12
X	SE 60 086 C (J A PORTSTRÖM) 7 January 1926 (1926-01-07) the whole document	1-3,11, 13-19
Y	---	5-10,12
X	GB 2 129 387 A (URLBERGER HERMANN HANS) 16 May 1984 (1984-05-16) the whole document	1-3,11, 13-19
Y	---	5-10,12
	--- -/--	

Further documents are listed in the continuation of box C.

Patent family members are listed in annex.

° Special categories of cited documents :

- "A" document defining the general state of the art which is not considered to be of particular relevance
- "E" earlier document but published on or after the international filing date
- "L" document which may throw doubts on priority claim(s) or which is cited to establish the publication date of another citation or other special reason (as specified)
- "O" document referring to an oral disclosure, use, exhibition or other means
- "P" document published prior to the international filing date but later than the priority date claimed

- "T" later document published after the international filing date or priority date and not in conflict with the application but cited to understand the principle or theory underlying the invention
- "X" document of particular relevance; the claimed invention cannot be considered novel or cannot be considered to involve an inventive step when the document is taken alone
- "Y" document of particular relevance; the claimed invention cannot be considered to involve an inventive step when the document is combined with one or more other such documents, such combination being obvious to a person skilled in the art.
- "&" document member of the same patent family

Date of the actual completion of the international search

2 July 2001

Date of mailing of the international search report

13. 07. 2001

Name and mailing address of the ISA

European Patent Office, P.B. 5818 Patentlaan 2
 NL - 2280 HV Rijswijk
 Tel. (+31-70) 340-2040, Tx. 31 651 epo nl,
 Fax: (+31-70) 340-3016

Authorized officer

Erik Wiss

INTERNATIONAL SEARCH REPORT

International Application No
PCT/DK 01/00054

C.(Continuation) DOCUMENTS CONSIDERED TO BE RELEVANT		
Category *	Citation of document, with indication, where appropriate, of the relevant passages	Relevant to claim No.
X	EP 0 683 090 A (HAMMERSCHMIDT HARTWIG) 22 November 1995 (1995-11-22) column 4, line 6 -column 7, line 17; figures 1,2 abstract	1-3,11, 13-19
Y	---	5-10,12
X	DE 11 70 808 B (GUSTAV KRABBE) 21 May 1964 (1964-05-21) figures 1-3	1-3,11, 13-16, 18,19
Y	---	5-10,12
X	FR 1 178 403 A (M E COCHART) 11 May 1959 (1959-05-11) the whole document	1-3,11, 13-16, 18,19
Y	---	5-10,12
Y	CH 258 495 A (KUHN WERNER) 2 May 1949 (1949-05-02) the whole document	5-10,12
Y	---	5-10,12
Y	SE 88 377 C (G A LUNDGREN) 26 January 1937 (1937-01-26) the whole document	5-10,12
Y	---	5
Y	DK 66 833 A (KARL BUNKEN) 18 May 1948 (1948-05-18) the whole document	5
A	SE 124 421 C (O M OLOFSSON) 22 March 1949 (1949-03-22) page 1, column 2, line 11 - line 14 -----	5

INTERNATIONAL SEARCH REPORT

Information on patent family members

International Application No

PCT/DK 01/00054

Patent document cited in search report	Publication date	Patent family member(s)	Publication date
SE 95188	C	NONE	

SE 60086	C	NONE	

GB 2129387	A	16-05-1984	DE 3240479 A 03-05-1984 DK 467383 A 03-05-1984 NL 8303661 A 01-06-1984

EP 0683090	A	22-11-1995	DE 9408385 U 21-07-1994 AT 164813 T 15-04-1998 DE 9412999 U 24-11-1994 DE 19503978 A 23-11-1995 ES 2119271 T 01-10-1998

DE 1170808	B	NONE	

FR 1178403	A	11-05-1959	NONE

CH 258495	A	30-11-1948	NONE

SE 88377	C	NONE	

DK 66833	A	NONE	

SE 124421	C	NONE	
