



US00D761237S

(12) **United States Design Patent**
Moon et al.

(10) **Patent No.:** **US D761,237 S**

(45) **Date of Patent:** **** Jul. 12, 2016**

(54) **STAND FOR TELEVISION**

(71) Applicant: **Samsung Electronics Co., Ltd.**,
Suwon-si, Gyeonggi-do (KR)

(72) Inventors: **Sinwi Moon**, Seogwipo-si (KR); **Sung
Jin Ann**, Seoul (KR)

(73) Assignee: **SAMSUNG ELECTRONICS CO.,
LTD.**, Suwon-Si, Gyeonggi-Do (KR)

D705,200 S * 5/2014 Choi D14/239
D708,157 S * 7/2014 Park D14/126
D718,287 S * 11/2014 Lee D14/239
D718,751 S * 12/2014 Ann D14/239
D723,528 S * 3/2015 Choi D14/239
D725,063 S * 3/2015 Cho D14/126
D725,121 S * 3/2015 Kim D14/451
D725,661 S * 3/2015 Snyder D14/451
D727,302 S * 4/2015 Shin D14/239
D727,879 S * 4/2015 Lee D14/239
D729,755 S * 5/2015 McManigal D14/126

(**) Term: **15 Years**

(21) Appl. No.: **29/530,824**

(22) Filed: **Jun. 19, 2015**

FOREIGN PATENT DOCUMENTS

CN 302619334 S 10/2013
KR 30-0667787 11/2012

* cited by examiner

(30) **Foreign Application Priority Data**
Dec. 31, 2014 (KR) 30-2014-0064547

Primary Examiner — Randall Gholson

(74) *Attorney, Agent, or Firm* — Ladas & Parry LLP

(51) **LOC (10) Cl.** **14-03**
(52) **U.S. Cl.**
USPC **D14/239**

(57) **CLAIM**

We claim the ornamental design for the stand for television, as shown and described.

(58) **Field of Classification Search**
USPC D14/125–134, 239, 371, 136, 374–377,
D14/440, 450, 448, 336, 342, 159; 312/7.2;
348/836, 838, 180, 184, 325, 739;
248/917–924, 465; 345/104, 133, 156,
345/168, 87, 173; D21/329, 515, 577, 622,
D21/333, 433, 448, 452, 450, 331, 505;
D10/15, 26; 446/484, 175, 356;
D6/477, 479, 300; D24/185; D34/14
CPC ... G06F 1/1601; G06F 1/1643; H05K 5/0004;
H05K 5/0017; H05K 5/02; H05K 5/0217
See application file for complete search history.

DESCRIPTION

FIG. 1 is the front perspective view of the stand for television showing our new design;
FIG. 2 is the front view thereof;
FIG. 3 is the rear view thereof;
FIG. 4 is the left-side view thereof;
FIG. 5 is the right-side view thereof;
FIG. 6 is the top plan view thereof;
FIG. 7 is the bottom plan view thereof;
FIG. 8 is the rear perspective view thereof; and,
FIG. 9 is the front perspective view thereof shown in an example environment.

The broken lines in the drawing show unclaimed environment only and form no part of the claimed design.

(56) **References Cited**
U.S. PATENT DOCUMENTS
D659,662 S * 5/2012 Lv D14/126
D670,257 S 11/2012 Yang et al.
D683,337 S * 5/2013 Kim D14/239

1 Claim, 9 Drawing Sheets

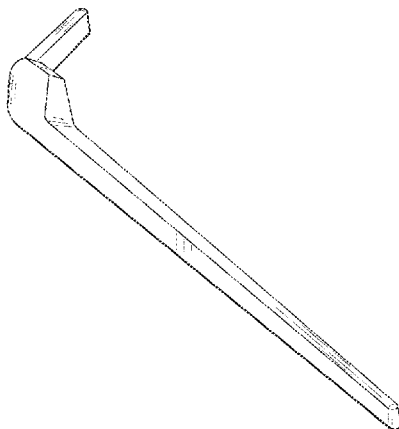


FIG. 1

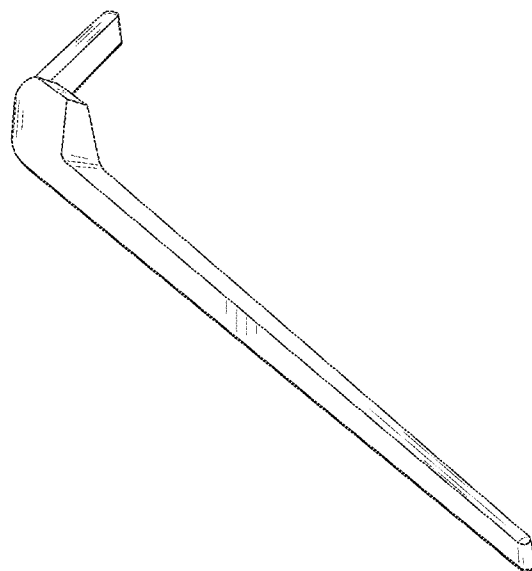


FIG. 2

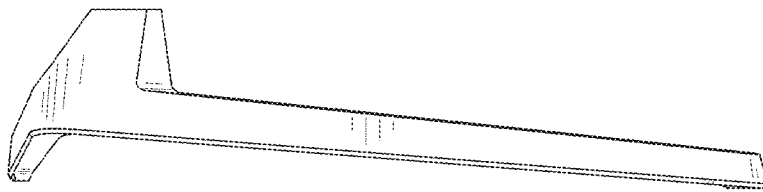


FIG. 3

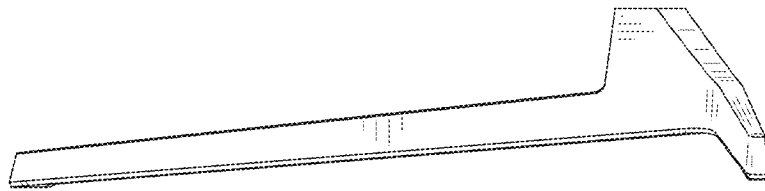


FIG. 4

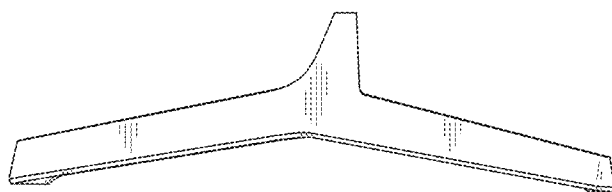


FIG. 5

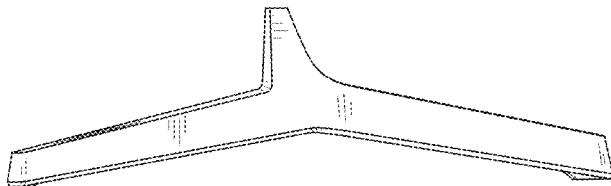


FIG. 6

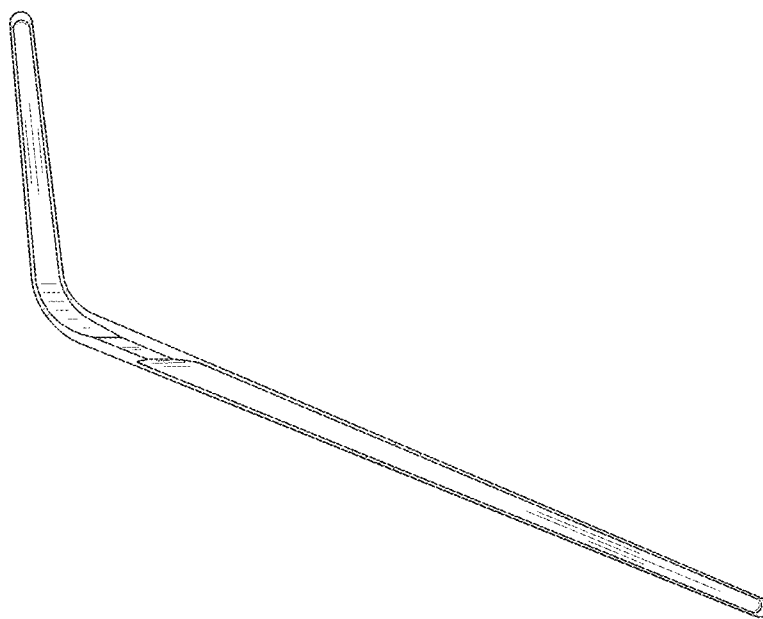


FIG. 7

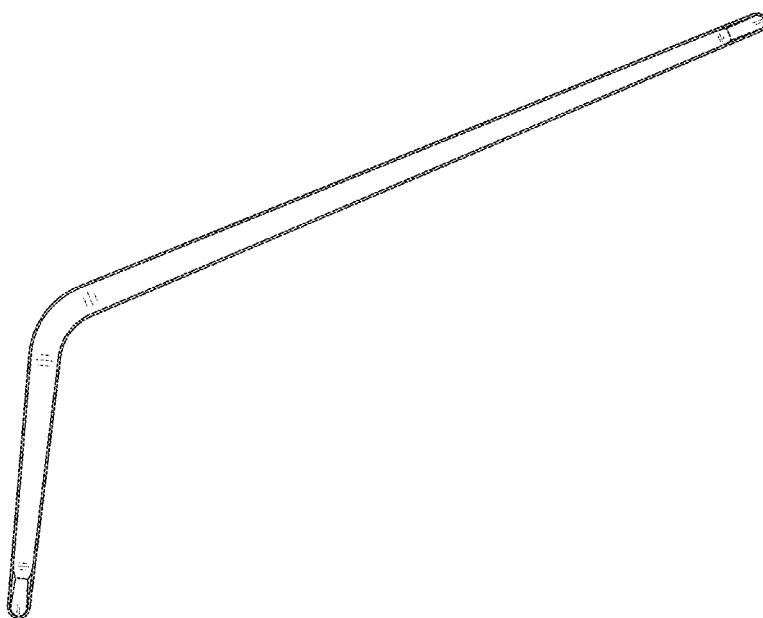


FIG. 8

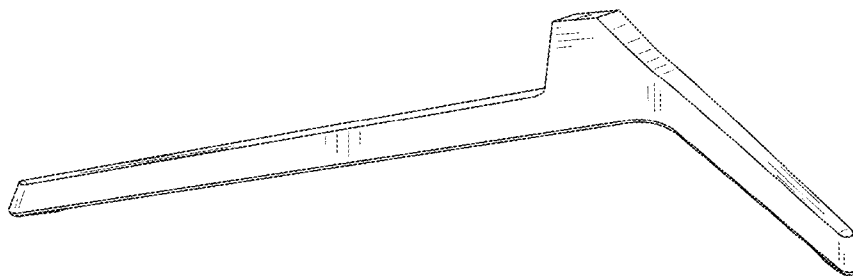


FIG. 9

