

(19) World Intellectual Property Organization
International Bureau



(43) International Publication Date
4 July 2002 (04.07.2002)

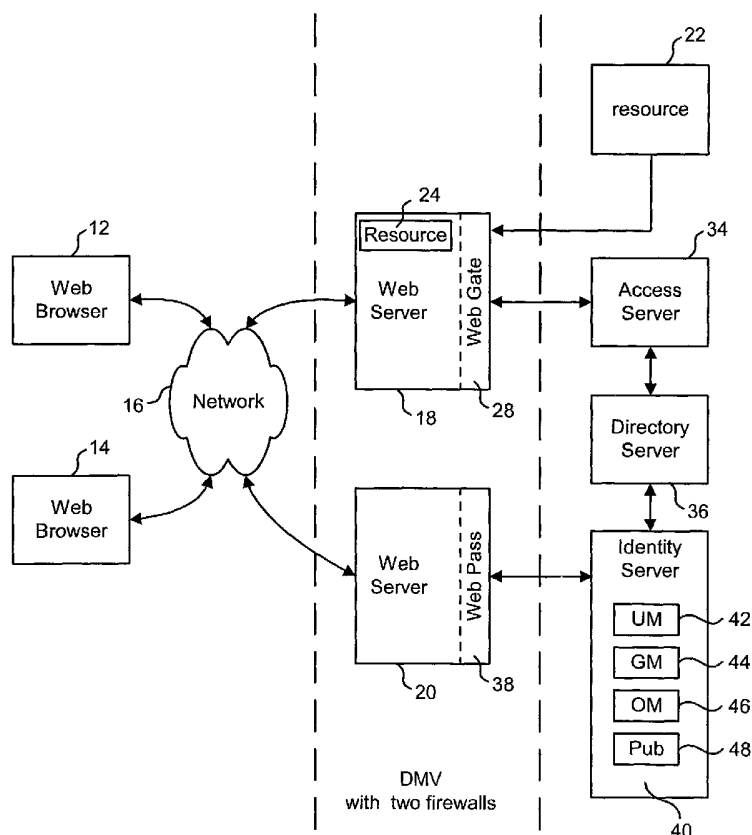
PCT

(10) International Publication Number
WO 02/052767 A3

- (51) International Patent Classification⁷: G06F 15/16
- (21) International Application Number: PCT/US01/50010
- (22) International Filing Date:
21 December 2001 (21.12.2001)
- (25) Filing Language: English
- (26) Publication Language: English
- (30) Priority Data:
60/258,087 22 December 2000 (22.12.2000) US
60/285,524 20 April 2001 (20.04.2001) US
09/998,916 30 November 2001 (30.11.2001) US
- (71) Applicant: OBLIX, INC. [US/US]; 18922 Forge Drive,
Cupertino, CA 95014 (US).
- (72) Inventors: TENG, Joan, C.; 148 Flying Cloud Isl., Foster
City, CA 94404 (US). LEE, Chi-Cheng; 1139 Elmsford
Drive, Cupertino, CA 95014 (US).
- (74) Agent: MAGEN, Burt; Vierra Magen Marcus Harmon &
DeNiro LLP, Suite 540, 685 Market Street, San Francisco,
CA 94105-4206 (US).
- (81) Designated States (*national*): AE, AG, AL, AM, AT, AU,
AZ, BA, BB, BG, BR, BY, BZ, CA, CH, CN, CO, CR, CU,
CZ, DE, DK, DM, DZ, EE, ES, FI, GB, GD, GE, GH, GM,
HR, HU, ID, IL, IN, IS, JP, KE, KG, KP, KR, KZ, LC, LK,
LR, LS, LT, LU, LV, MA, MD, MG, MK, MN, MW, MX,
MZ, NO, NZ, PL, PT, RO, RU, SD, SE, SG, SI, SK, SL,
TJ, TM, TR, TT, TZ, UA, UG, UZ, VN, YU, ZA, ZW.
- (84) Designated States (*regional*): ARIPO patent (GH, GM,
KE, LS, MW, MZ, SD, SL, SZ, TZ, UG, ZM, ZW),
Eurasian patent (AM, AZ, BY, KG, KZ, MD, RU, TJ, TM),

[Continued on next page]

(54) Title: PROXY SYSTEM



(57) Abstract: The present invention is directed to technology for using a proxy (154) in an Identity System (36, 38, 40). When a first entity is on vacation, on a business trip or otherwise unavailable to perform certain actions on an Identity System (36, 38, 40), a second entity can act as a proxy for the first entity. The Identity System (36, 38, 40), will provide the second entity, acting as a proxy, with the privileges, access and rights of the first entity. In one embodiment, Identity System (36, 38, 40) is part of an integrated Identity and Access System, and the second entity is a proxy in the Identity System (36, 38, 40) but not in the Access System (28, 34, 36).

WO 02/052767 A3



European patent (AT, BE, CH, CY, DE, DK, ES, FI, FR, GB, GR, IE, IT, LU, MC, NL, PT, SE, TR), OAPI patent (BF, BJ, CF, CG, CI, CM, GA, GN, GQ, GW, ML, MR, NE, SN, TD, TG).

(88) Date of publication of the international search report:
13 February 2003

Published:

— with international search report

For two-letter codes and other abbreviations, refer to the "Guidance Notes on Codes and Abbreviations" appearing at the beginning of each regular issue of the PCT Gazette.

INTERNATIONAL SEARCH REPORT

International application No.
PCT/US01/50010

A. CLASSIFICATION OF SUBJECT MATTER		
IPC(7) : G06F 15/16 US CL : 709/202, 229 According to International Patent Classification (IPC) or to both national classification and IPC		
B. FIELDS SEARCHED		
Minimum documentation searched (classification system followed by classification symbols) U.S. : 709/202, 229		
Documentation searched other than minimum documentation to the extent that such documents are included in the fields searched		
Electronic data base consulted during the international search (name of data base and, where practicable, search terms used) EAST search terms: proxy, identity, access, privilege, authenticate, cookie		
C. DOCUMENTS CONSIDERED TO BE RELEVANT		
Category*	Citation of document, with indication, where appropriate, of the relevant passages	Relevant to claim
Y,P	US 6,292,833 B1 (LIAO et al) 18 September 2001, col. 2, line 13 - col. 3, line 46.	1-49
Y,P	US 6,256,739 B1 (SKOPP et al) 03 July 2001, col. 1, line 40 - col. 4, line 24.	1-49
A	US 5,961,593 A (GABBER et al) 05 October 1999, col. 1, line 12 - col. 4, line 35, col. 14, line 26 - col. 15, line 15.	1-49
<input type="checkbox"/> Further documents are listed in the continuation of Box C. <input type="checkbox"/> See patent family annex.		
* Special categories of cited documents:	"I"	later document published after the international filing date or priority date and not in conflict with the application but cited to understand the principle or theory underlying the invention
"A" document defining the general state of the art which is not considered to be of particular relevance	"X"	document of particular relevance; the claimed invention cannot be considered novel or cannot be considered to involve an inventive step when the document is taken alone
"E" earlier document published on or after the international filing date	"Y"	document of particular relevance; the claimed invention cannot be considered to involve an inventive step when the document is combined with one or more other such documents, such combination being obvious to a person skilled in the art
"L" document which may throw doubts on priority claim(s) or which is cited to establish the publication date of another citation or other special reason (as specified)	"&"	document member of the same patent family
"O" document referring to an oral disclosure, use, exhibition or other means		
"P" document published prior to the international filing date but later than the priority date claimed		
Date of the actual completion of the international search 03 JUNE 2002	Date of mailing of the international search report 28 AUG 2002	
Name and mailing address of the ISA/US Commissioner of Patents and Trademarks Box PCT Washington, D.C. 20231 Facsimile No. (703) 305-3230	Authorized officer <i>PAUL KANG</i> <i>James R. Matthews</i> Telephone No. (703) 305-9000	