



(43) International Publication Date  
15 March 2012 (15.03.2012)

- (51) International Patent Classification:  
B29C 33/38 (2006.01) B29C 33/04 (2006.01)  
B29C 33/42 (2006.01)
- (21) International Application Number:  
PCT/US2011/050874
- (22) International Filing Date:  
8 September 2011 (08.09.2011)
- (25) Filing Language: English
- (26) Publication Language: English
- (30) Priority Data:  
61/380,760 8 September 2010 (08.09.2010) US
- (71) Applicant (for all designated States except US): MOLECULAR IMPRINTS, INC. [US/US]; 1807 West Braker Ln, Bldg. C-100, Austin, Texas 78758-3605 (US).
- (72) Inventors: YE, Zhengmao; 6913 Seneca Falls Lane, Austin, Texas 78739 (US). RAMOS, Rick; 1902 Secluded Willow Cv, Pflugerville, Texas 78660 (US). FLETCHER, Edward, B.; 7420 Lady Suzanne's Ct., Austin, Texas 78729 (US). JONES, Christopher, E.; 11915 Stonehol-

low Dr., Apt. 318B, Austin, Texas 78758 (US). LAB-RAKE, Dwayne, L.; 1907 Tosca Cove, Cedar Park, Texas 78613 (US).

- (74) Agent: KING, Cameron, A.; PO Box 81536, Austin, Texas 78708 (US).
- (81) Designated States (unless otherwise indicated, for every kind of national protection available): AE, AG, AL, AM, AO, AT, AU, AZ, BA, BB, BG, BH, BR, BW, BY, BZ, CA, CH, CL, CN, CO, CR, CU, CZ, DE, DK, DM, DO, DZ, EC, EE, EG, ES, FI, GB, GD, GE, GH, GM, GT, HN, HR, HU, ID, IL, IN, IS, JP, KE, KG, KM, KN, KP, KR, KZ, LA, LC, LK, LR, LS, LT, LU, LY, MA, MD, ME, MG, MK, MN, MW, MX, MY, MZ, NA, NG, NI, NO, NZ, OM, PE, PG, PH, PL, PT, QA, RO, RS, RU, RW, SC, SD, SE, SG, SK, SL, SM, ST, SV, SY, TH, TJ, TM, TN, TR, TT, TZ, UA, UG, US, UZ, VC, VN, ZA, ZM, ZW.
- (84) Designated States (unless otherwise indicated, for every kind of regional protection available): ARIPO (BW, GH, GM, KE, LR, LS, MW, MZ, NA, SD, SL, SZ, TZ, UG, ZM, ZW), Eurasian (AM, AZ, BY, KG, KZ, MD, RU, TJ, TM), European (AL, AT, BE, BG, CH, CY, CZ, DE, DK,

[Continued on next page]

(54) Title: VAPOR DELIVERY SYSTEM FOR USE IN IMPRINT LITHOGRAPHY

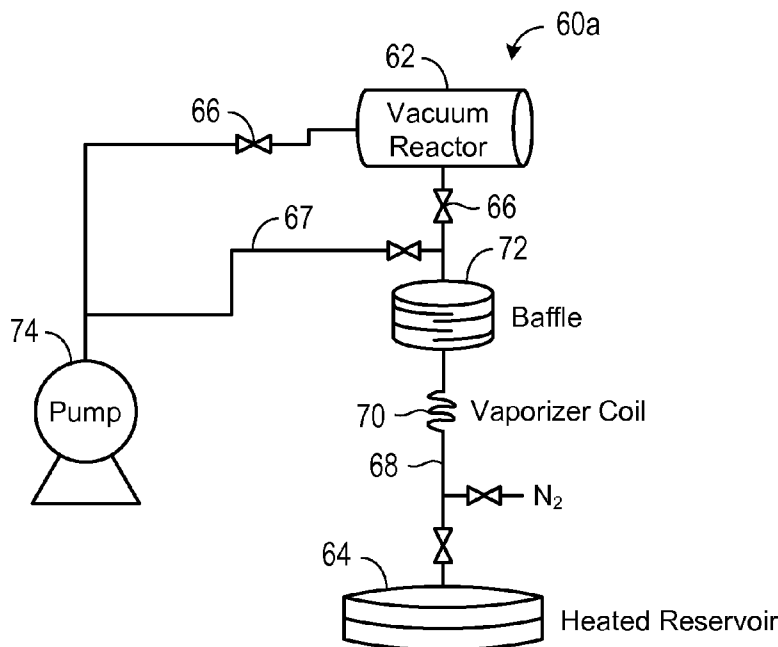


FIG. 3

(57) Abstract: Described are systems and method of using a vapor delivery system for enabling delivery of an adhesion promoter material during an imprint lithography process.



EE, ES, FI, FR, GB, GR, HR, HU, IE, IS, IT, LT, LU,  
LV, MC, MK, MT, NL, NO, PL, PT, RO, RS, SE, SI, SK,  
SM, TR), OAPI (BF, BJ, CF, CG, CI, CM, GA, GN, GQ,  
GW, ML, MR, NE, SN, TD, TG).

**Published:**

— *with international search report (Art. 21(3))*

**(88) Date of publication of the international search report:**

16 August 2012

**A. CLASSIFICATION OF SUBJECT MATTER*****B29C 33/38(2006.01)i, B29C 33/42(2006.01)i, B29C 33/04(2006.01)i***

According to International Patent Classification (IPC) or to both national classification and IPC

**B. FIELDS SEARCHED**

Minimum documentation searched (classification system followed by classification symbols)

B29C 33/38; C10K 1/00; F22B 1/28; C23C 16/00

Documentation searched other than minimum documentation to the extent that such documents are included in the fields searched

Korean utility models and applications for utility models

Japanese utility models and applications for utility models

Electronic data base consulted during the international search (name of data base and, where practicable, search terms used)

eKOMPASS(KIPO internal)

**C. DOCUMENTS CONSIDERED TO BE RELEVANT**

Category*	Citation of document, with indication, where appropriate, of the relevant passages	Relevant to claim No.
Y	US 6409839 B1 (SUN, J.J. et al.) 25 June 2002 See claims 1, 4-8	1-3, 10-12
Y	Schift, H. et al. "Controlled co-evaporation of silanes for nanoimprint stamps", Nanotechnology. 21 Feb. 2005, Vol. 16, pp S171-S175. See abstract; experimental details in page 172	1-3, 10-12
A	US 2006-0207503 A1 (PAUL MENEGHINI et al.) 21 September 2006 See the whole document	1-3, 10-12
A	US 2003-0021595 A1 (MINDI XU et al.) 30 January 2003 See the whole document	1-3, 10-12
A	Li, J. et al. "Engineering the spatial selectivity of surfaces at the nanoscale using particle lithography combined with vapor deposition of organosilanes", ACS Nano, 28 July 2009, Vol. 3(7), pp 2023-2035 See the whole document	1-3, 10-12

 Further documents are listed in the continuation of Box C. See patent family annex.

\* Special categories of cited documents:

"A" document defining the general state of the art which is not considered to be of particular relevance

"E" earlier application or patent but published on or after the international filing date

"L" document which may throw doubts on priority claim(s) or which is cited to establish the publication date of citation or other special reason (as specified)

"O" document referring to an oral disclosure, use, exhibition or other means

"P" document published prior to the international filing date but later than the priority date claimed

"T" later document published after the international filing date or priority date and not in conflict with the application but cited to understand the principle or theory underlying the invention

"X" document of particular relevance; the claimed invention cannot be considered novel or cannot be considered to involve an inventive step when the document is taken alone

"Y" document of particular relevance; the claimed invention cannot be considered to involve an inventive step when the document is combined with one or more other such documents, such combination being obvious to a person skilled in the art

"&amp;" document member of the same patent family

Date of the actual completion of the international search

20 APRIL 2012 (20.04.2012)

Date of mailing of the international search report

**20 APRIL 2012 (20.04.2012)**

Name and mailing address of the ISA/KR

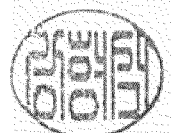
Korean Intellectual Property Office  
Government Complex-Daejeon, 189 Cheongsa-ro,  
Seo-gu, Daejeon 302-701, Republic of Korea

Facsimile No. 82-42-472-7140

Authorized officer

KANG, HYUNG SEOK

Telephone No. 82-42-481-3329





## INTERNATIONAL SEARCH REPORT

Information on patent family members

International application No.

PCT/US2011/050874

Patent document cited in search report	Publication date	Patent family member(s)	Publication date
US 6409839 B1	25.06.2002	JP 2002-502465 A	22.01.2002
		US 2002-0192375 A1	19.12.2002
		US 6171247 B1	09.01.2001
		US 6805907 B2	19.10.2004
		WO 98-55668 A1	10.12.1998
		WO 98-56296 A1	17.12.1998
		WO 98-56385 A1	17.12.1998
US 2006-0207503 A1	21.09.2006	CN 101171368 A0	30.04.2008
		DE 112006000631 T5	31.01.2008
		EP 1735480 A1	27.12.2006
		EP 2390382 A2	30.11.2011
		EP 2390382 A3	25.01.2012
		GB 0719261 D0	14.11.2007
		GB 2438807 A	05.12.2007
		GB 2446313 A	06.08.2008
		JP 2007-535617 A	06.12.2007
		JP 2008-536006 A	04.09.2008
		JP 2008-536006 T	04.09.2008
		JP 2008-536006 T	04.09.2008
		JP 2009-508332 A	26.02.2009
		KR 10-2007-0012465 A	25.01.2007
		KR 10-2007-0118128 A	13.12.2007
		KR 10-2008-0044905 A	21.05.2008
		KR20070118128A	13.12.2007
		KR20070118128A	13.12.2007
		TW 200706686 A	16.02.2007
		US 2005-0223979 A1	13.10.2005
		US 2006-0060139 A1	23.03.2006
		US 2006-0130744 A1	22.06.2006
		US 2007-0039549 A1	22.02.2007
		US 2007-0039550 A1	22.02.2007
		US 2007-0042508 A1	22.02.2007
		US 7615120 B2	10.11.2009
		US 7628860 B2	08.12.2009
		US 7628861 B2	08.12.2009
		US 7829353 B2	09.11.2010
		WO 2005-103328 A1	03.11.2005
		WO 2006-065426 A2	22.06.2006
		WO 2006-065426 A3	22.06.2006
		WO 2006-101697 A2	28.09.2006
		WO 2006-101697 A3	25.01.2007
		WO 2006-101697 A3	28.09.2006
		WO 2007-032826 A2	22.03.2007
WO 2007-032826 A3	22.03.2007		
US 2003-0021595 A1	30.01.2003	None	