



US00D468614S

(12) **United States Design Patent**
Kanzawa

(10) **Patent No.:** **US D468,614 S**

(45) **Date of Patent:** **** Jan. 14, 2003**

- (54) **HANDLE FOR FOLDING SAW**
- (75) **Inventor:** **Kuniyuki Kanzawa, Miki (JP)**
- (73) **Assignee:** **Kanzawa Seiko Co., Ltd., Hyogo (JP)**
- (**) **Term:** **14 Years**

D307,702 S	*	5/1990	Hsu	D8/107
D341,761 S	*	11/1993	Weimann	D8/97
D357,166 S	*	4/1995	Concari	D8/107
D397,281 S	*	8/1998	Hsu	D8/95
D411,429 S	*	6/1999	Gringer	D8/95
D429,137 S	*	8/2000	Eriksson et al.	D8/95
D440,855 S	*	4/2001	Wang	D8/107

- (21) **Appl. No.:** **29/142,303**
- (22) **Filed:** **May 23, 2001**
- (30) **Foreign Application Priority Data**
Nov. 24, 2000 (JP) 2000-033543
- (51) **LOC (7) Cl. 08-03**
- (52) **U.S. Cl. D8/97; D8/107**
- (58) **Field of Search D8/95, 96, 97,**
D8/98, 99, 107; 30/166.3, 155, 509, 514

* cited by examiner

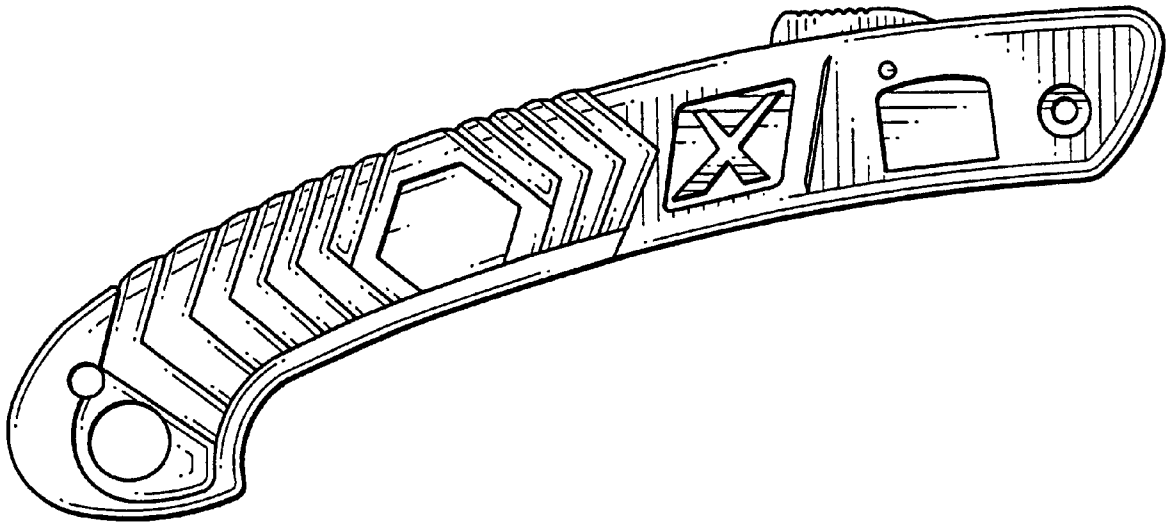
Primary Examiner—Philip S. Hyder
(74) *Attorney, Agent, or Firm*—Koda & Androlia

- (56) **References Cited**
U.S. PATENT DOCUMENTS
D251,963 S * 5/1979 Breger D8/97
D299,413 S * 1/1989 DeCarolis D8/107
D306,817 S * 3/1990 McMorrough D8/107
D307,383 S * 4/1990 Huang D8/107

(57) **CLAIM**
The ornamental design for a handle for folding saw, as shown and described.

DESCRIPTION
FIG. 1 is a front elevational view of the handle for folding saw showing my new design;
FIG. 2 is a rear elevational view thereof;
FIG. 3 is a top plan view thereof;
FIG. 4 is a bottom plan view thereof;
FIG. 5 is a right side elevational view thereof; and,
FIG. 6 is a left side elevational view thereof.

1 Claim, 2 Drawing Sheets



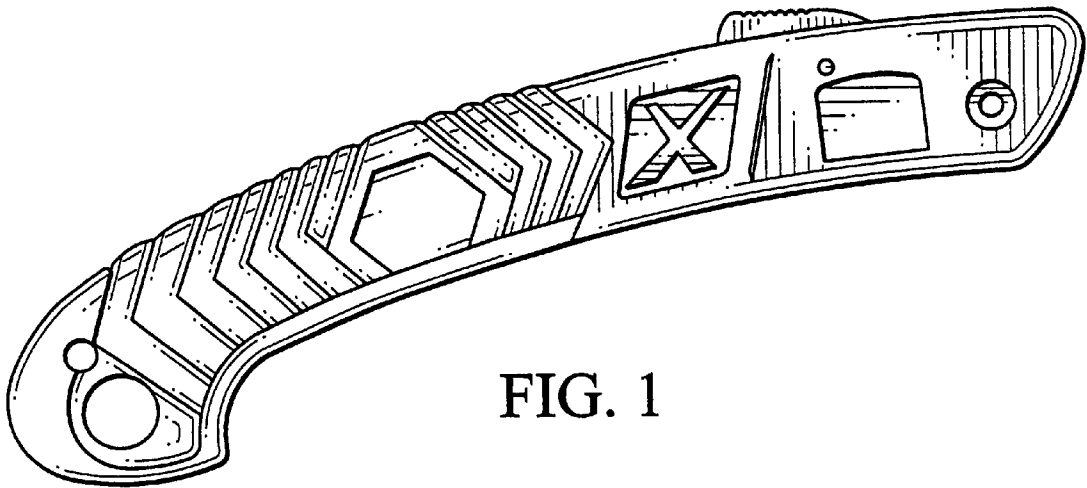


FIG. 1

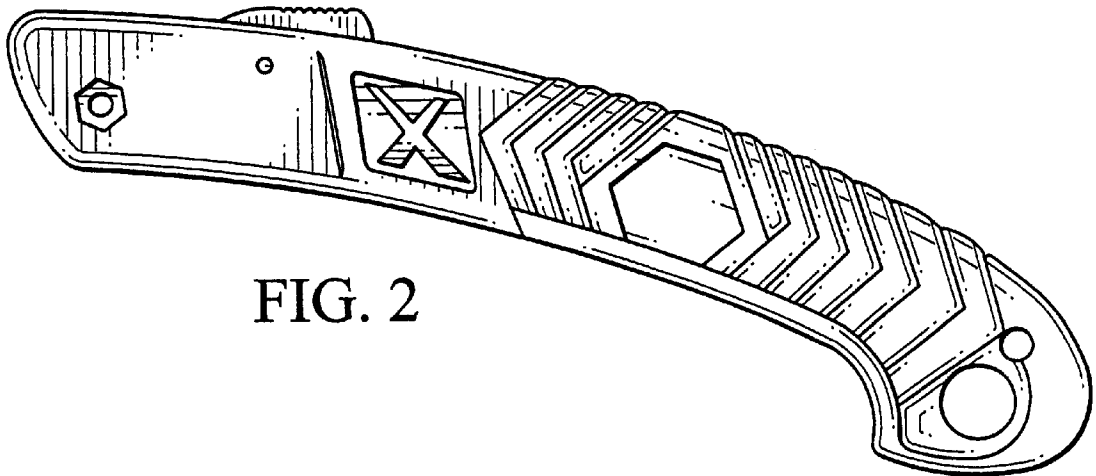


FIG. 2

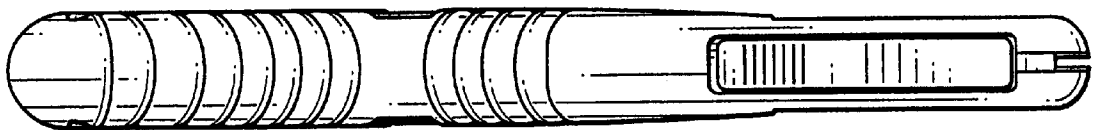


FIG. 3

FIG. 4

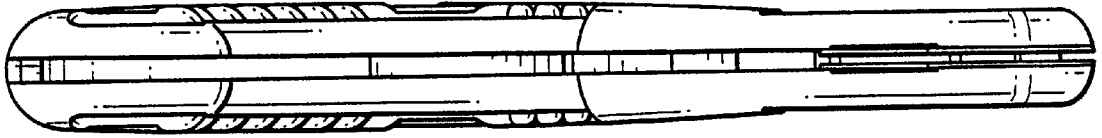


FIG. 5

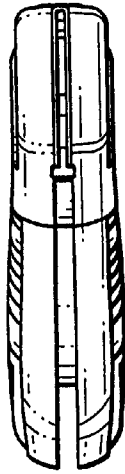


FIG. 6

