



US0D1027591S

(12) **United States Design Patent**
Ishida

(10) **Patent No.:** **US D1,027,591 S**

(45) **Date of Patent:** **** May 21, 2024**

(54) **SCISSORS**

FOREIGN PATENT DOCUMENTS

(71) Applicant: **Green Bell Co., Ltd.**, Osaka (JP)

JP D2022-26003 * 4/2023

(72) Inventor: **Itsuto Ishida**, Osaka (JP)

* cited by examiner

(73) Assignee: **GREEN BELL CO., LTD.**, Osaka (JP)

Primary Examiner — Jennifer L Rempfer

Assistant Examiner — Olivia H Aldin

(**) Term: **15 Years**

(74) *Attorney, Agent, or Firm* — WELSH FLAXMAN & GITLER LLC

(21) Appl. No.: **29/867,922**

(57) **CLAIM**

The ornamental design for scissors, as shown and described.

(22) Filed: **Nov. 14, 2022**

DESCRIPTION

(51) **LOC (14) Cl.** **08-03**

(52) **U.S. Cl.**

USPC **D8/57**

(58) **Field of Classification Search**

USPC D8/5, 57, 99, 324

CPC B26B 13/00; B26B 13/08; B26B 13/10;
B26B 13/12

See application file for complete search history.

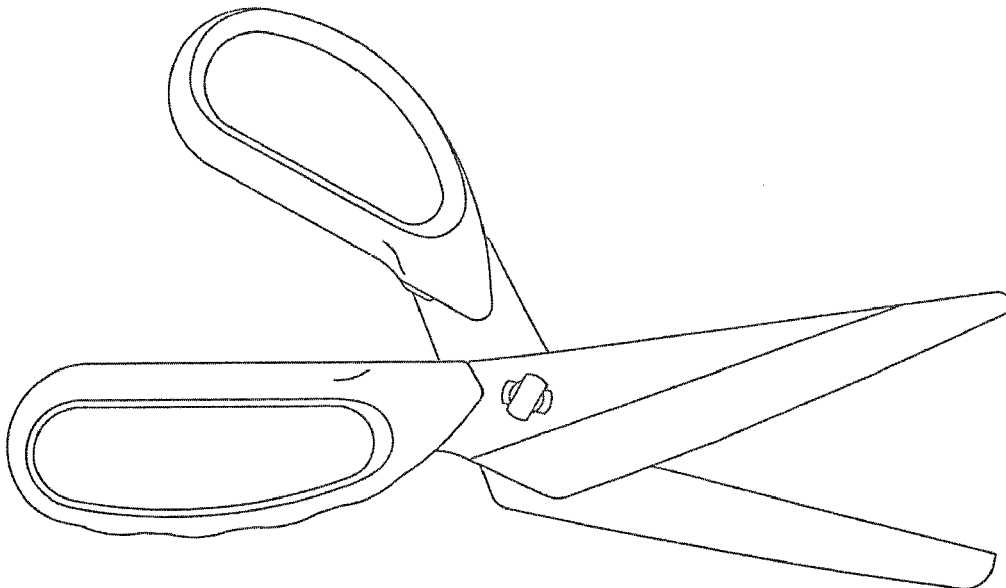
FIG. 1 is a right side view of the scissors;
FIG. 2 is a left side view of the scissors;
FIG. 3 is a front view of the scissors;
FIG. 4 is a rear view of the scissors;
FIG. 5 is a top view of the scissors;
FIG. 6 is a bottom view of the scissors;
FIG. 7 is a right side view of the scissors with the blades open;
FIG. 8 is a section view taken along the line A-A of FIG. 1 of the scissors;
FIG. 9 is a perspective view of the scissors; and,
FIG. 10 is a perspective view of one part of the scissors.
The broken lines of the hand illustrate the environment in which the article embodying the design is used and form no part of the claim.

(56) **References Cited**

U.S. PATENT DOCUMENTS

D100,377 S *	7/1936	Lincoln	D8/57
D244,828 S *	6/1977	Visco	D8/57
D678,020 S *	3/2013	Lipscomb	D8/57
D718,591 S *	12/2014	Roberts	D8/57
D718,592 S *	12/2014	Roberts	D8/57
D786,041 S *	5/2017	Roberts	D8/57

1 Claim, 3 Drawing Sheets



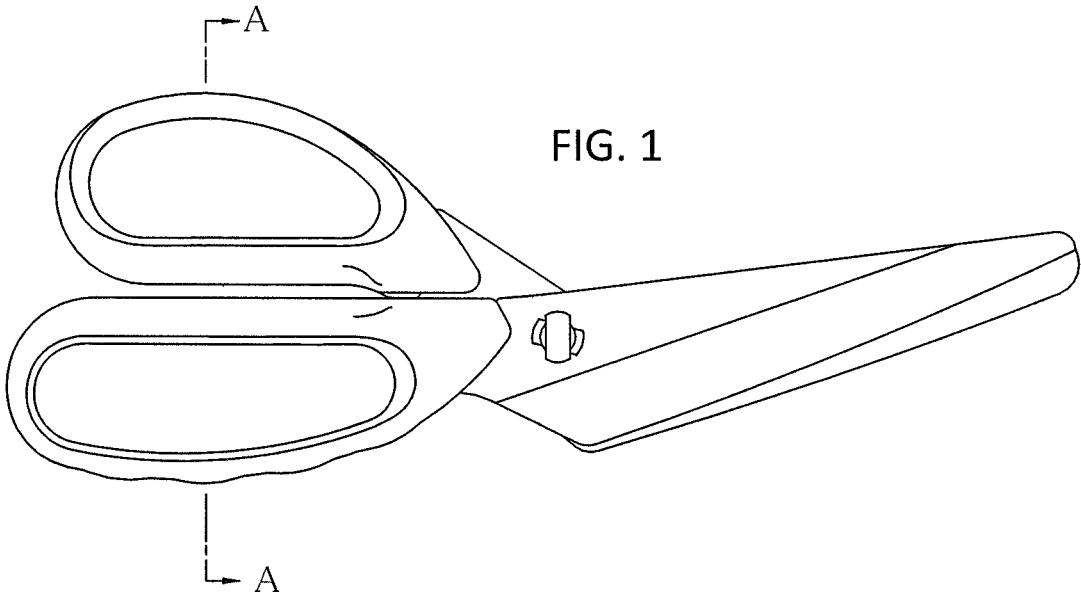


FIG. 1

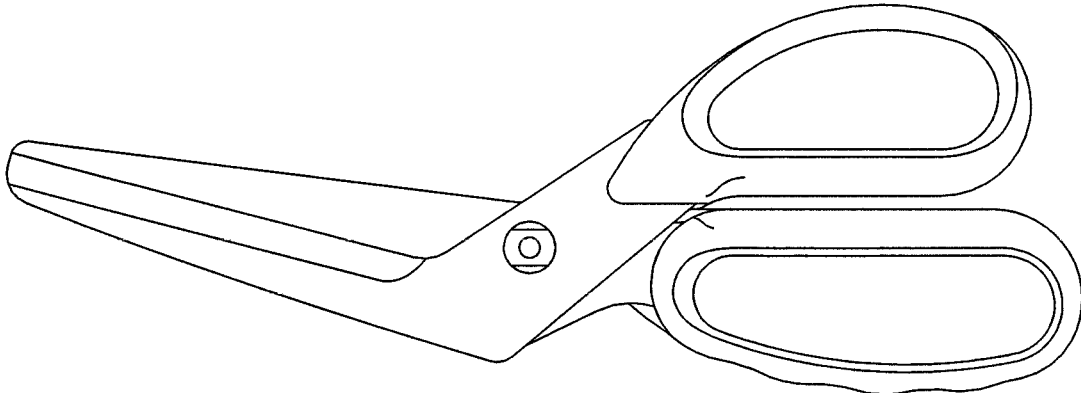


FIG. 2



FIG. 3

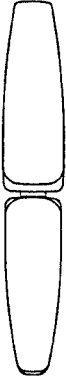


FIG. 4

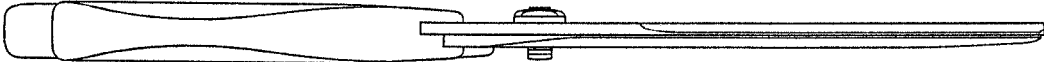


FIG. 5



FIG. 6

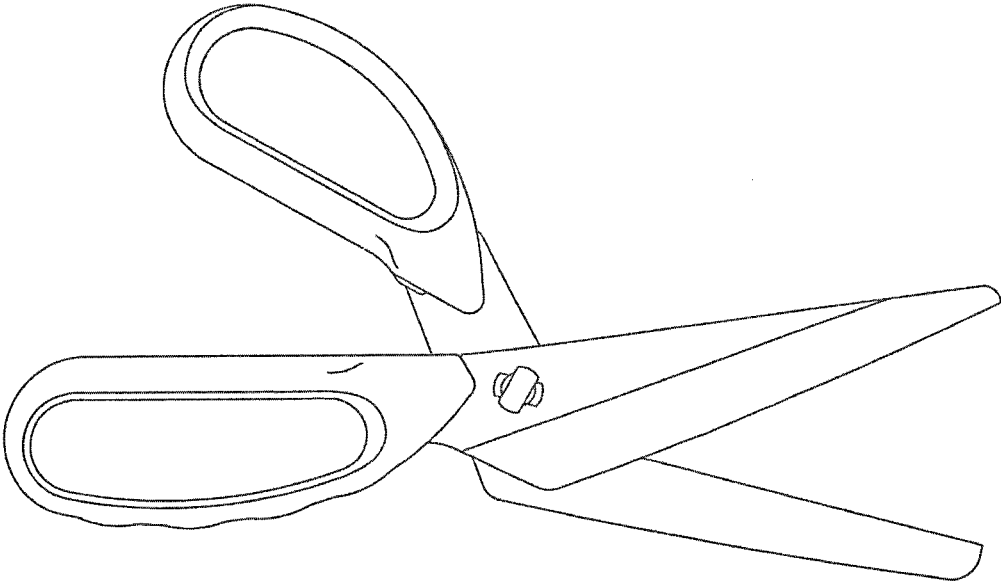


FIG. 7



FIG. 8

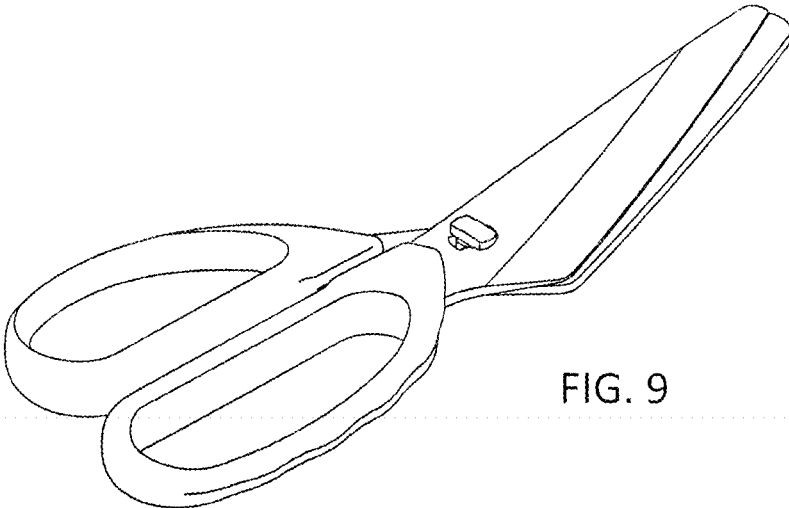


FIG. 9

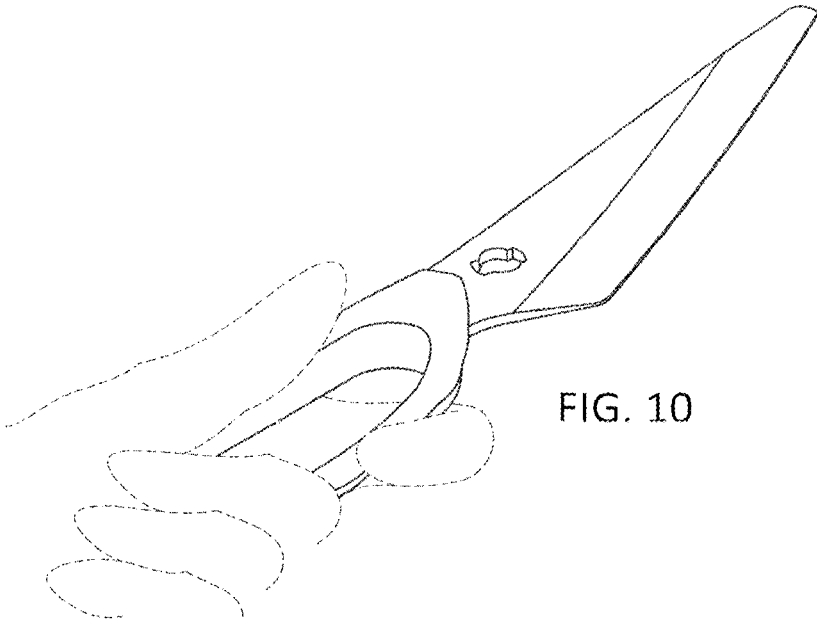


FIG. 10