



US00D547857S

(12) **United States Design Patent**
Lee

(10) **Patent No.:** **US D547,857 S**
(45) **Date of Patent:** **** Jul. 31, 2007**

(54) **COMBINED CEILING FAN MOTOR HOUSING AND BLADE HOLDERS UNIT**

(75) Inventor: **Emily M. Lee**, Monterey Park, CA (US)

(73) Assignee: **Landmark Enterprise Inc.**, Bandar Seri Begawan (BN)

(**) Term: **14 Years**

(21) Appl. No.: **29/263,232**

(22) Filed: **Jul. 18, 2006**

(51) **LOC (8) CL.** **23-04**

(52) **U.S. CL.** **D23/411**

(58) **Field of Classification Search** D23/411,
D23/377, 379, 385; 416/5; 392/364

See application file for complete search history.

(56) **References Cited**

U.S. PATENT DOCUMENTS

5,458,464	A	*	10/1995	Lee	D23/411
D367,321	S	*	2/1996	Holbrook	D23/411
5,508,484	A		4/1996	Chen		
D388,870	S	*	1/1998	Holbrook	D23/411
D396,530	S		7/1998	Tai		
D404,808	S		1/1999	Tai		
D404,809	S		1/1999	Tai		
D405,878	S		2/1999	Tai		
D408,073	S		4/1999	Tai		
D408,074	S		4/1999	Tai		
D408,516	S		4/1999	Tai		
D409,297	S		5/1999	Tai		
5,944,487	A	*	8/1999	Pearce	416/244 R
6,059,531	A		5/2000	Tai		
6,135,618	A		10/2000	Tai		
6,259,025	B1		7/2001	Tai		
6,379,116	B1		4/2002	Tai		
D457,947	S		5/2002	Tai		

6,392,146	B1	5/2002	Tai
D458,675	S	6/2002	Tai
D478,381	S	8/2003	Tai
D483,463	S	12/2003	Tai
D483,464	S	12/2003	Tai
D483,465	S	12/2003	Tai
D483,847	S	12/2003	Tai

(Continued)

Primary Examiner—Lisa Lichtenstein

(74) *Attorney, Agent, or Firm*—Morrison & Foerster LLP

(57) **CLAIM**

The ornamental design for a combined ceiling fan motor housing and blade holders unit, as shown and described.

DESCRIPTION

FIG. 1 is a perspective view of a combined ceiling fan motor housing and blade holders unit showing my new design in use.

FIG. 2 is an enlarged perspective view of the motor housing and blade holders in accordance with the present invention;

FIG. 3 is an enlarged perspective view of the motor housing and blade holders in accordance with the present invention;

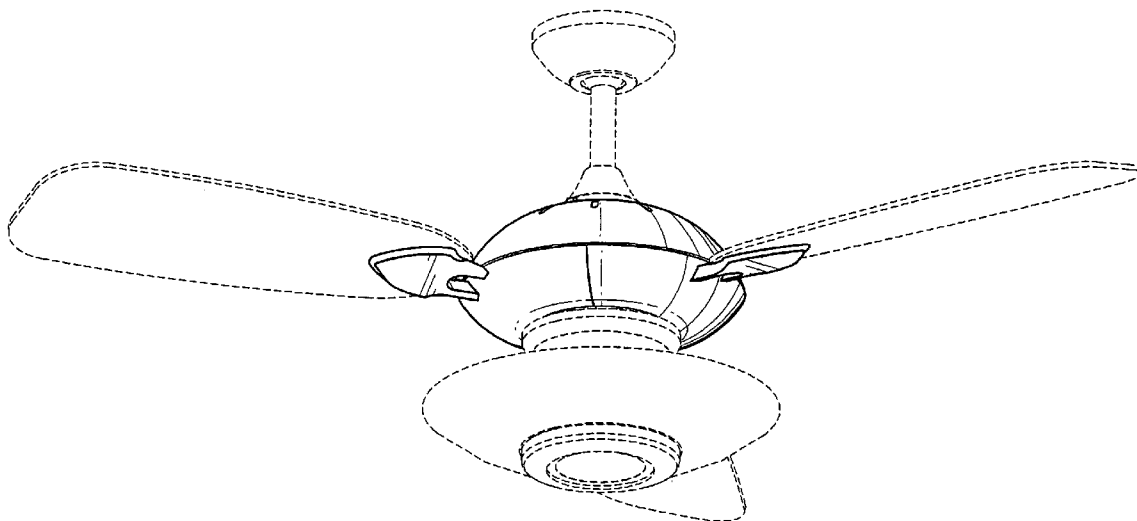
FIG. 4 is a slightly enlarged top view of the motor housing and blade holders in accordance with the present invention;

FIG. 5 is a slightly enlarged bottom view of the motor housing and blade holders in accordance with the present invention; and,

FIG. 6 is a side view of the motor housing and blade holders in accordance with the present invention.

The broken line showing of the blades, canopy, support rod and light fixture of a ceiling fan in FIG. 1 is included for the purpose of illustrating environmental structure and forms no part of the claimed design.

1 Claim, 4 Drawing Sheets



US D547,857 S

Page 2

U.S. PATENT DOCUMENTS					
D483,848 S	12/2003	Tai	D503,472 S	3/2005	Tai
D484,588 S	12/2003	Tai	D503,473 S	3/2005	Tai
D483,850 S	1/2004	Tai	D503,474 S	3/2005	Tai
D484,849 S	1/2004	Tai	D503,475 S	3/2005	Tai
D484,969 S	1/2004	Tai	D503,476 S	3/2005	Tai
D485,344 S	1/2004	Tai	D503,795 S	4/2005	Tai
D485,609 S	1/2004	Tai	D504,173 S	4/2005	Tai
D485,611 S	1/2004	Tai	D505,197 S	5/2005	Tai
D485,897 S	1/2004	Tai	D505,724 S	5/2005	Tai
D487,506 S *	3/2004	Burns D23/411	D507,644 S	7/2005	Tai
D490,888 S	6/2004	Tai	D507,830 S	7/2005	Tai
D494,705 S	8/2004	Tai	D518,887 S *	4/2006	Tai D23/411
D501,578 S	2/2005	Tai	D531,305 S *	10/2006	Glasbrenner D23/411

* cited by examiner

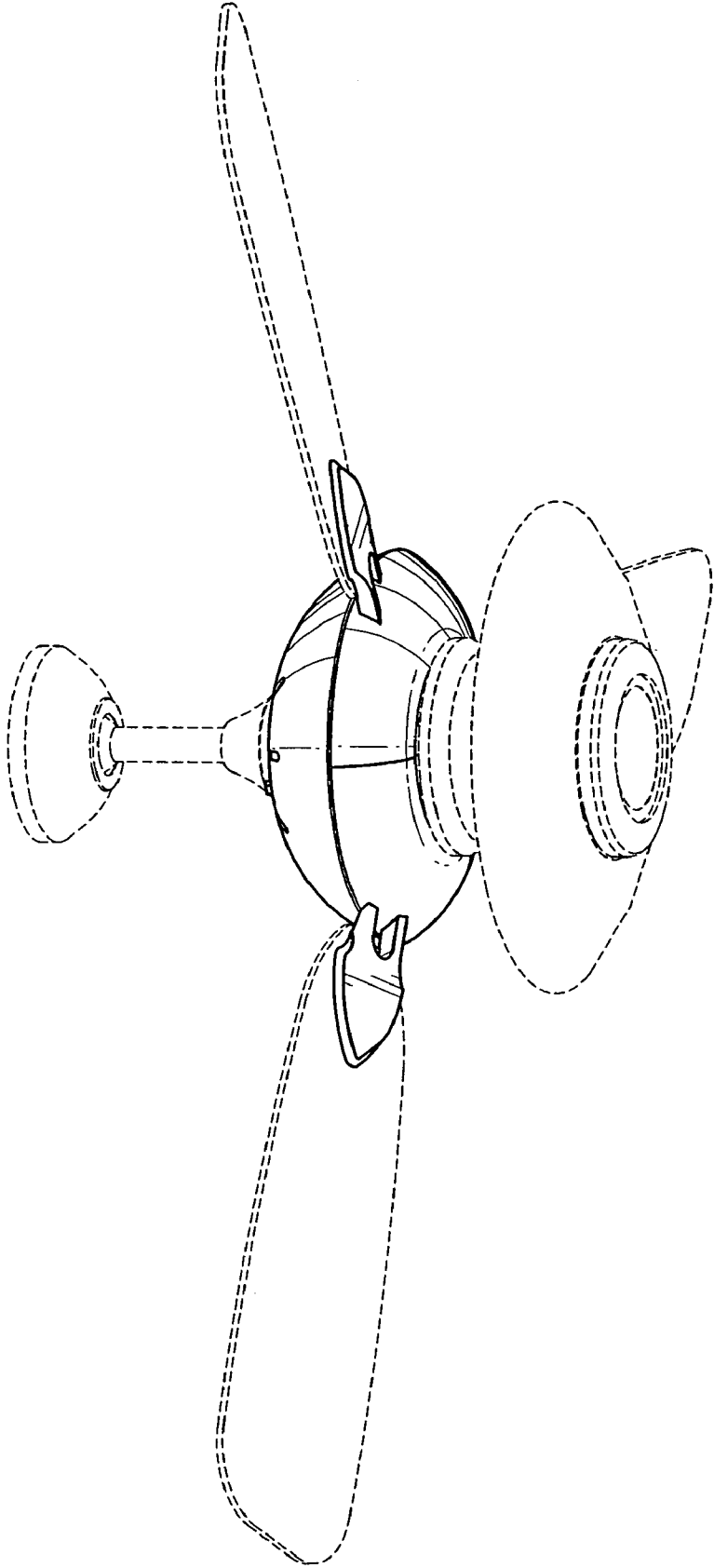


FIG. 1

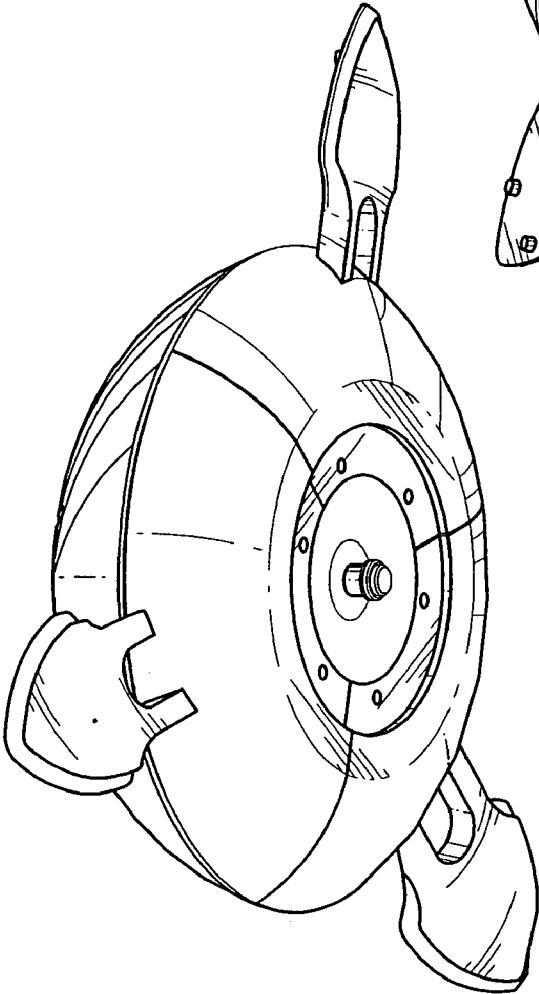


FIG. 2

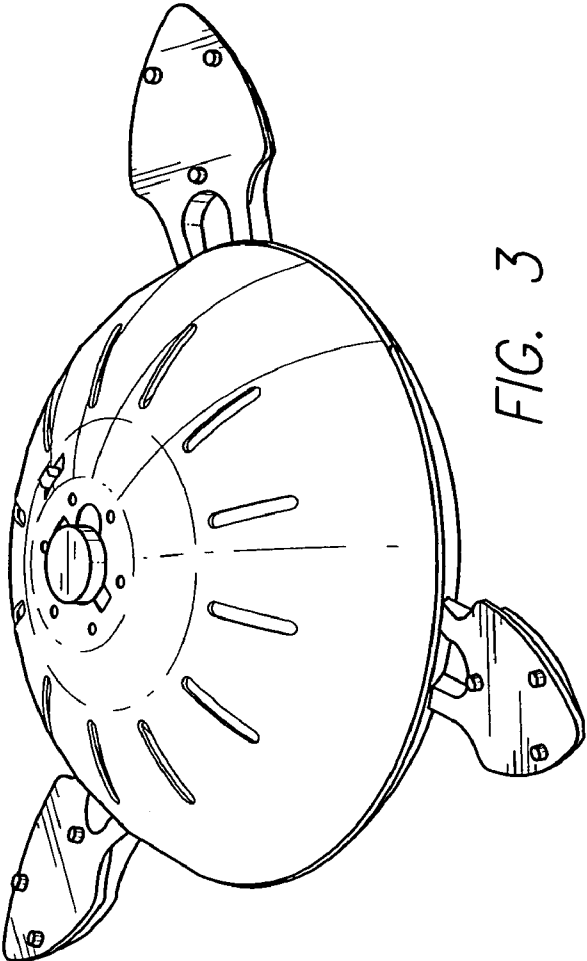


FIG. 3

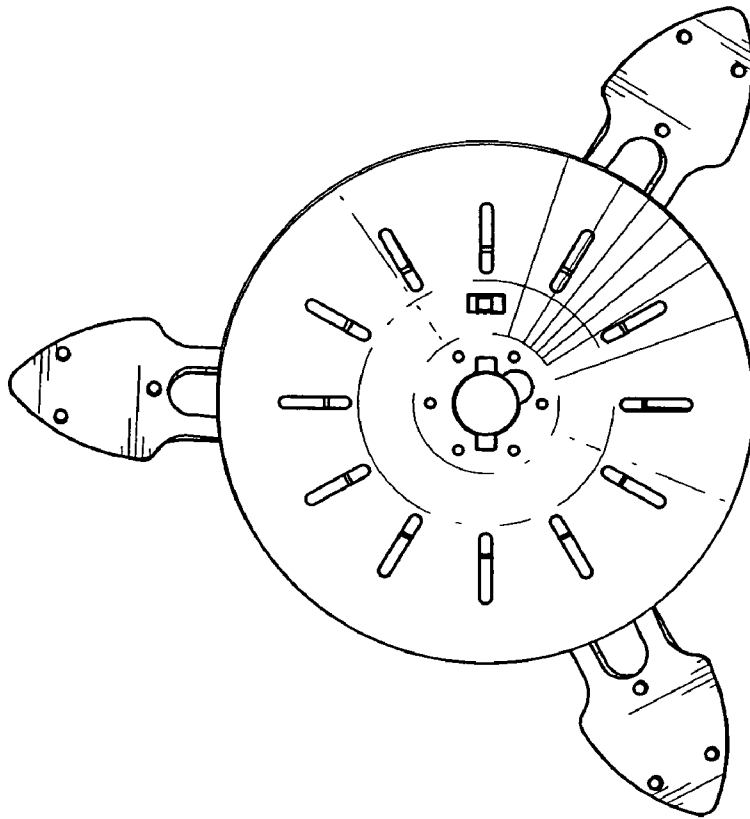


FIG. 4

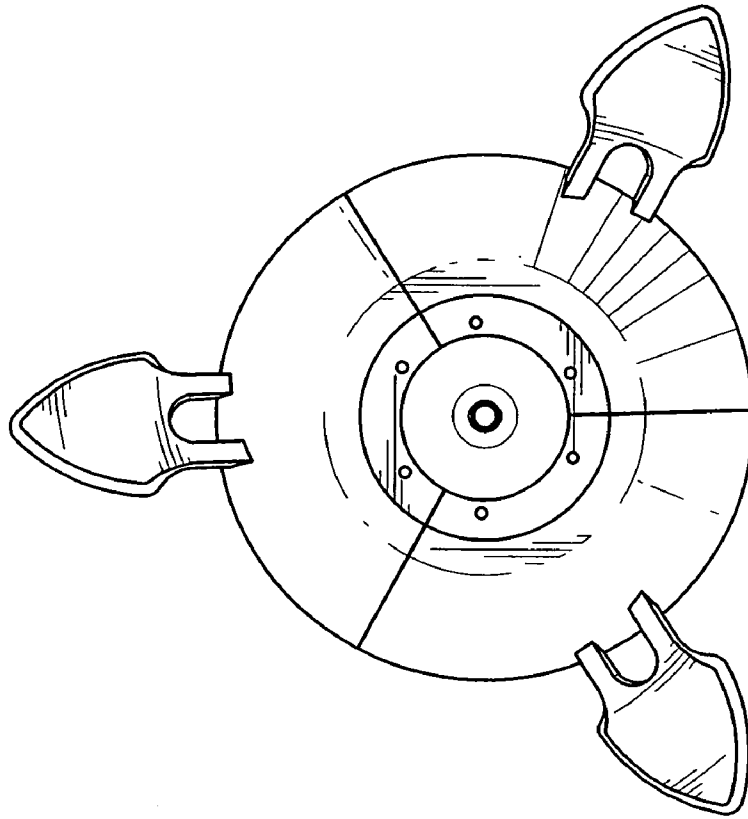


FIG. 5

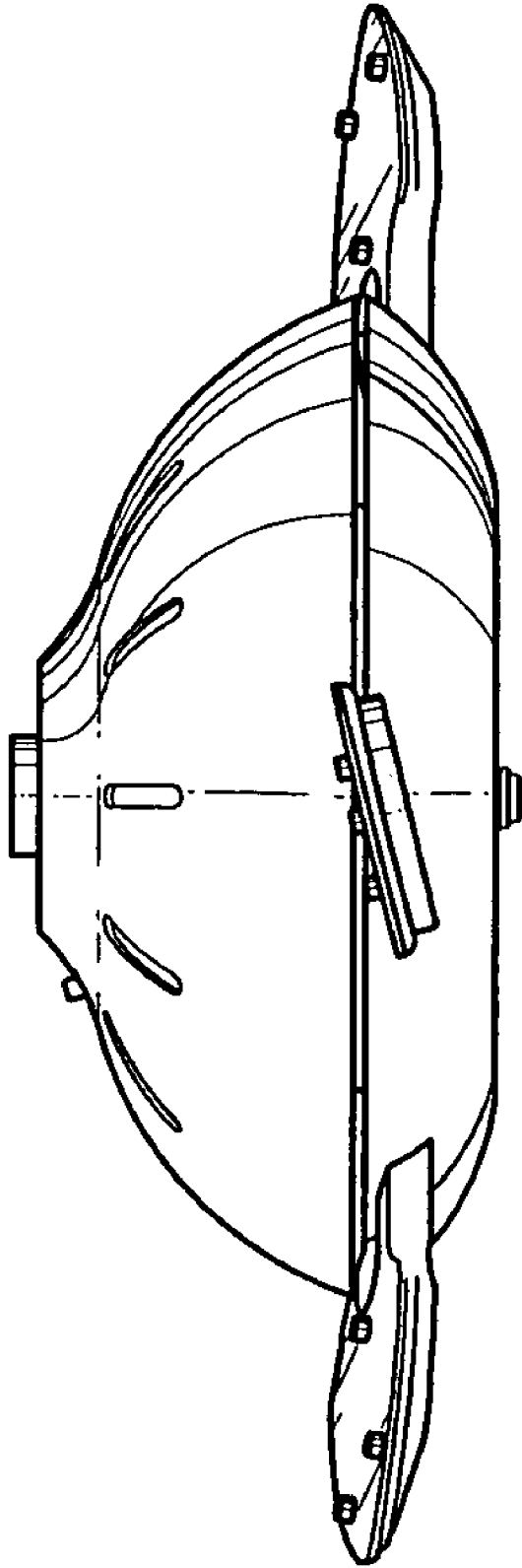


FIG. 6