



US00D889203S

(12) **United States Design Patent**  
**Bull**

(10) **Patent No.:** **US D889,203 S**

(45) **Date of Patent:** **\*\* Jul. 7, 2020**

(54) **TUMBLER**

(71) Applicant: **Dart Industries Inc.**, Orlando, FL (US)

(72) Inventor: **David P. Bull**, Hemel Hempstead (GB)

(73) Assignee: **Dart Industries Inc.**, Orlando, FL (US)

(\*\*) Term: **15 Years**

(21) Appl. No.: **29/642,160**

(22) Filed: **Mar. 28, 2018**

(51) **LOC (12) Cl.** ..... **07-01**

(52) **U.S. Cl.**

USPC ..... **D7/523**; D7/509

(58) **Field of Classification Search**

USPC ..... D7/310, 312, 314, 315, 316, 317, 318,  
D7/319, 320, 591, 592, 598, 600, 622,  
D7/667, 668, 392, 392.1, 396.6, 503, 507,  
D7/509, 510, 511, 514, 515, 522, 513,  
D7/523, 533, 559, 535, 532, 403;  
D9/500, 678, 669, 715, 719, 536, 528,  
D9/531, 534, 435, 440, 443; 215/380,  
215/382, 398, 396; 220/495.03, 23, 494;  
206/217; 229/400, 402, 404

CPC ..... A47J 31/14; A47J 36/14; A47J 31/005;  
A47J 31/00; A47G 19/14; A47G 19/2272

See application file for complete search history.

(56) **References Cited**

**U.S. PATENT DOCUMENTS**

2,012,113	A *	8/1935	Thompson	.....	A47G 19/2205
					215/363
3,137,431	A *	6/1964	Crouse	.....	B65D 3/02
					229/400
D220,845	S *	6/1971	Mascetti	.....	D7/533
D222,732	S *	12/1971	Howard	.....	D7/536
D248,075	S	6/1978	Daenen		
D282,232	S *	1/1986	Bussell	.....	D7/509
D282,331	S *	1/1986	Pozzi	.....	D7/509
D286,725	S	11/1986	Zieff		

(Continued)

**OTHER PUBLICATIONS**

[https://www.amazon.com/Color-Changing-Mug-Believe-Porcelain/dp/B01E0PKHR6/ref=sr\\_1\\_133?ie=UTF8&qid=1549300527&sr=8-133&keywords=square+tea+mug](https://www.amazon.com/Color-Changing-Mug-Believe-Porcelain/dp/B01E0PKHR6/ref=sr_1_133?ie=UTF8&qid=1549300527&sr=8-133&keywords=square+tea+mug) (Year: 2016).\*

(Continued)

*Primary Examiner* — Jae Liang

(74) *Attorney, Agent, or Firm* — Taylor J. Ross

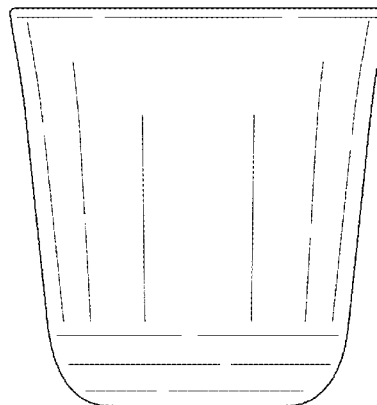
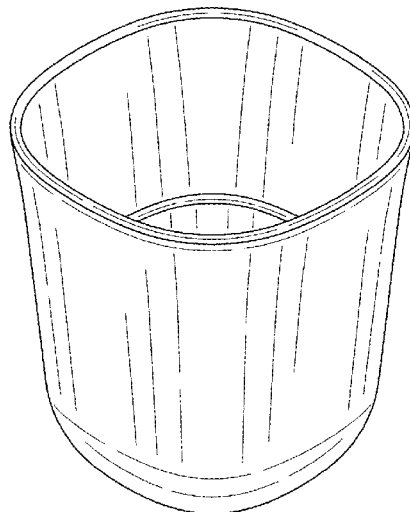
(57) **CLAIM**

The ornamental design for a tumbler, as shown and described.

**DESCRIPTION**

FIG. 1 is a top, front and left side isometric view of a first embodiment of a tumbler showing my new design;  
 FIG. 2 is a bottom, rear and left side isometric view thereof;  
 FIG. 3 is a top plan view thereof;  
 FIG. 4 is a bottom plan view thereof;  
 FIG. 5 is a front elevation view, the rear elevation being identical thereto;  
 FIG. 6 is a left side elevation view, the right side elevation being identical thereto;  
 FIG. 7 is a cross-sectional view taken along line 7-7 of FIG. 3;  
 FIG. 8 is a top, front and left side isometric view of a second embodiment of a tumbler showing my new design;  
 FIG. 9 is a bottom, rear and left side isometric view thereof;  
 FIG. 10 is a top plan view thereof;  
 FIG. 11 is a bottom plan view thereof;  
 FIG. 12 is a front elevation view, the rear elevation being identical thereto;  
 FIG. 13 is a left side elevation view, the right side elevation being identical thereto; and,  
 FIG. 14 is a cross-sectional view taken along line 14-14 of FIG. 10.

**1 Claim, 6 Drawing Sheets**



(56)

References Cited

U.S. PATENT DOCUMENTS

D288,766 S *	3/1987	Tardif .....	D7/523	D659,586 S *	5/2012	Brandstatter .....	D11/155
D309,553 S *	7/1990	Daenen .....	D7/591	D663,163 S *	7/2012	Dick .....	D7/507
D331,173 S *	11/1992	Durand .....	D7/507	D667,151 S *	9/2012	Arslanian .....	D26/9
D340,385 S *	10/1993	Durand .....	D7/509	D682,088 S *	5/2013	de Urquijo Carmona ....	D9/428
D359,417 S *	6/1995	Chen .....	D7/510	D722,526 S *	2/2015	Forester .....	D11/155
D381,869 S	8/1997	Jeppesen et al.		D764,233 S *	8/2016	Lee .....	D7/509
D424,877 S *	5/2000	Cayouette .....	D7/509	D764,234 S *	8/2016	Lee .....	D7/509
D433,205 S *	10/2000	Cayouette .....	D34/1	D770,231 S *	11/2016	Hume .....	D7/523
D462,294 S *	9/2002	Walsh .....	D11/143	D770,852 S *	11/2016	Vu .....	D7/510
D474,073 S	5/2003	Rorke et al.		D790,923 S *	7/2017	Boroski .....	D7/529
D527,583 S *	9/2006	Freeman .....	D7/509	D805,352 S *	12/2017	Thuma .....	D7/523
D536,148 S *	1/2007	Schiefer .....	D34/1	D805,354 S *	12/2017	Bielawski .....	D7/523
D542,098 S *	5/2007	Wasserman .....	D7/584	D812,430 S *	3/2018	McLaughlin .....	D7/523
D543,326 S *	5/2007	Dretzka .....	D11/152	D817,718 S *	5/2018	Furneaux .....	D7/532
D561,537 S *	2/2008	Schosser .....	D7/533	D818,773 S *	5/2018	Fairchild, Jr. ....	D7/509
D574,191 S	8/2008	Ablo		D820,640 S *	6/2018	Aviav .....	D7/529
D574,192 S *	8/2008	Schosser .....	D7/509	D821,144 S *	6/2018	Fairchild, Jr. ....	D7/509
D587,527 S *	3/2009	Wolhendler .....	D7/509	D825,791 S *	8/2018	Patti .....	D26/9
D615,819 S *	5/2010	Wang Chen .....	D7/533	D826,641 S *	8/2018	Nickley .....	D7/510
D622,547 S *	8/2010	Carreno .....	D7/510	D828,097 S *	9/2018	Silby .....	D7/523
D623,900 S *	9/2010	Wolhendler .....	D7/533	2018/0213955 A1*	8/2018	McLaughlin .....	A47G 19/2205
D623,984 S *	9/2010	Bas .....	D11/146				
D631,700 S *	2/2011	Flick .....	D7/509				
D649,085 S *	11/2011	Tremblay .....	D11/155				
D659,472 S *	5/2012	D'Amato .....	D7/509				

OTHER PUBLICATIONS

<https://www.madaboutpottery.com/collections/mugs-cups/products/copy-of-colorful-stoneware-ceramic-tumblers-10-fl-oz> (Year: 2019).\*

\* cited by examiner

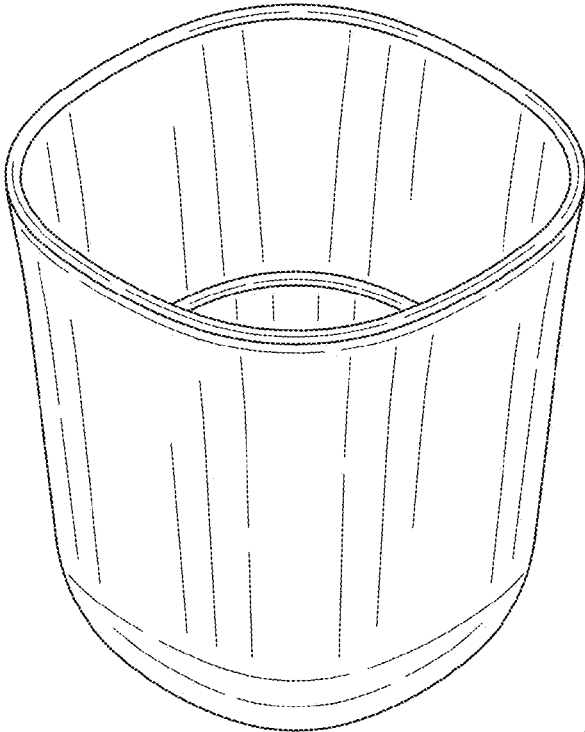


FIG. 1

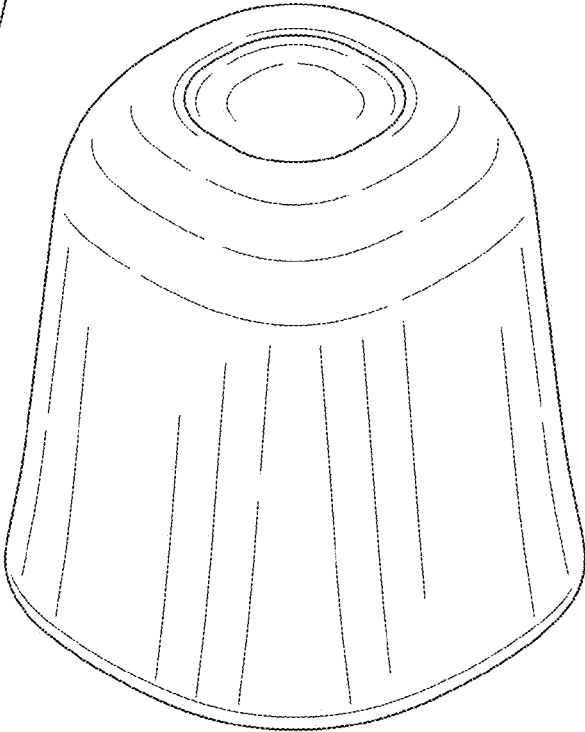
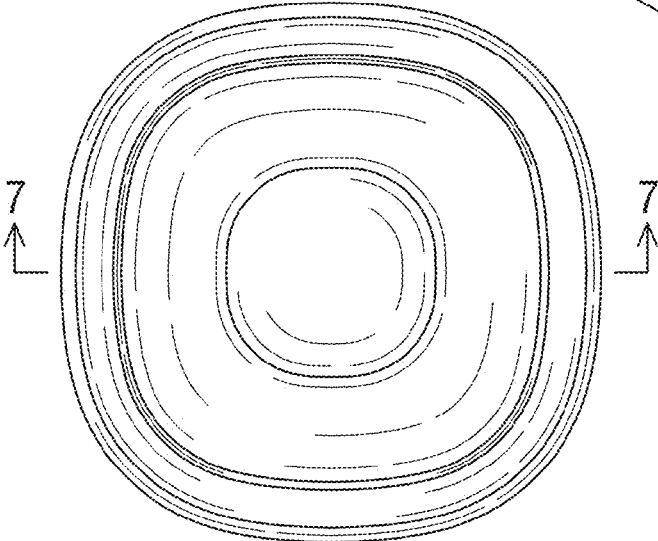


FIG. 2

FIG. 3



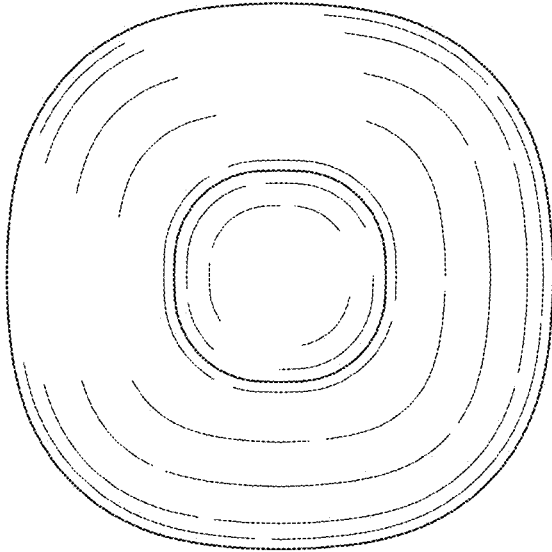


FIG. 4

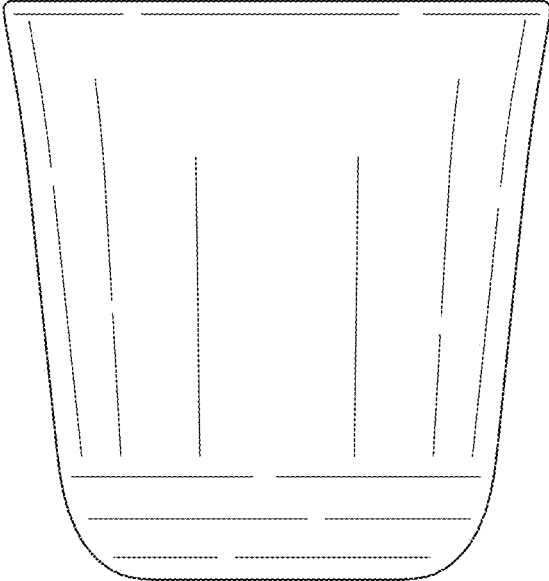


FIG. 5

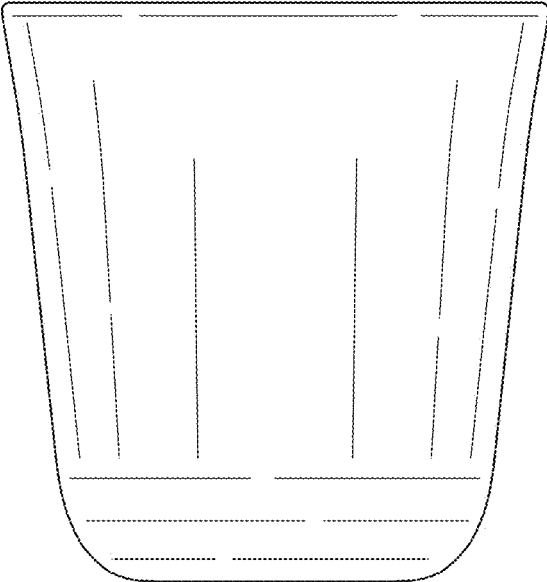
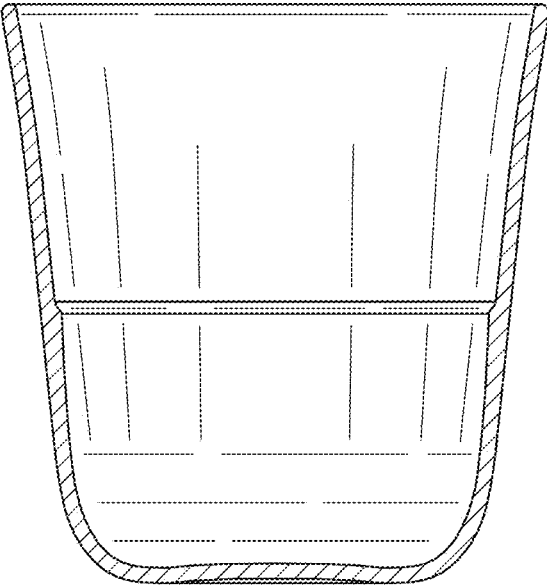


FIG. 6

FIG. 7



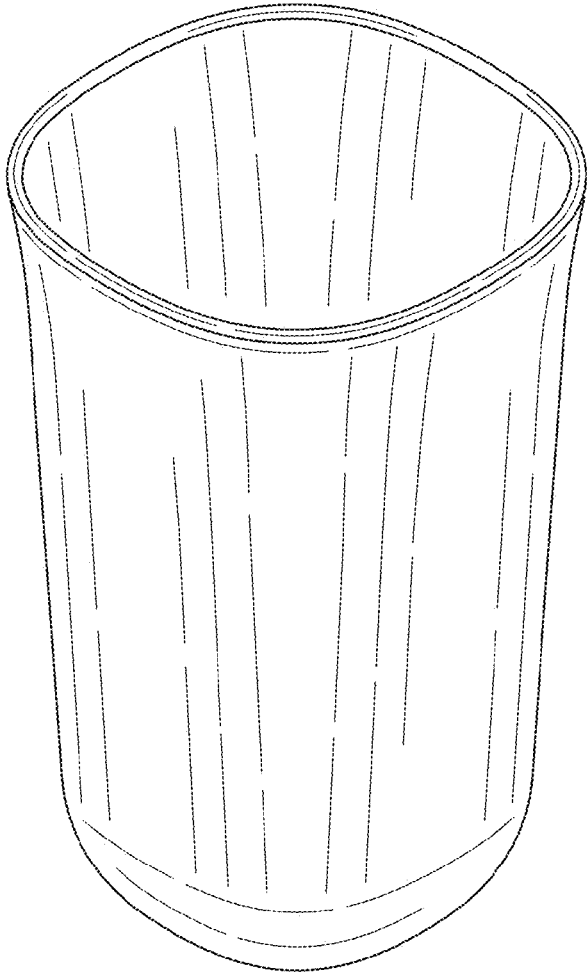


FIG. 8

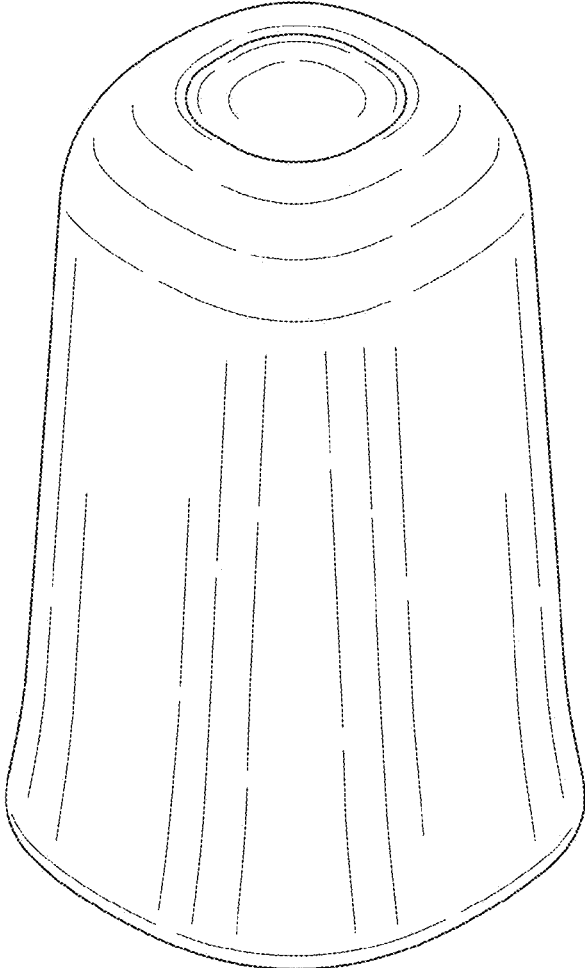


FIG. 9

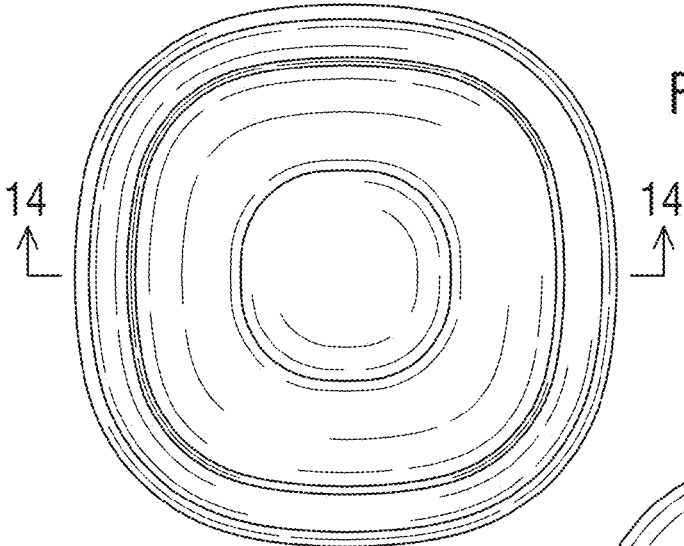


FIG. 10

FIG. 11

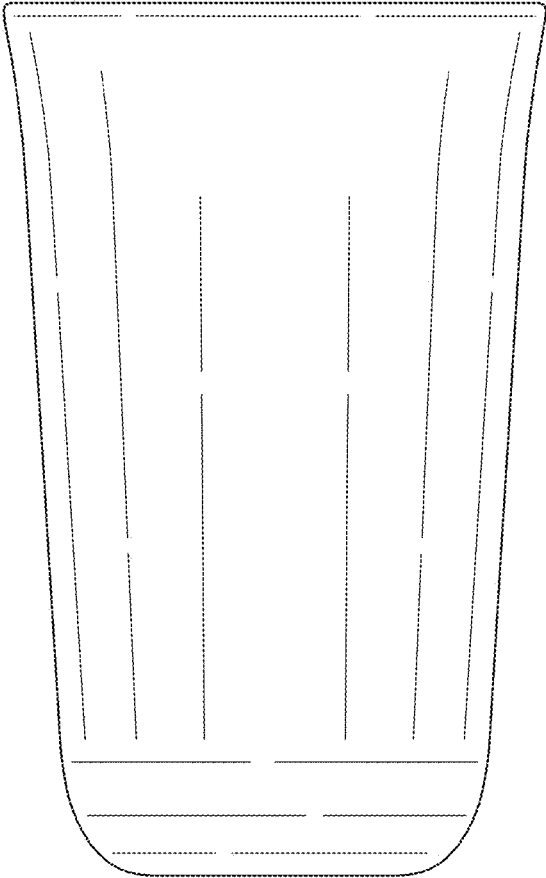
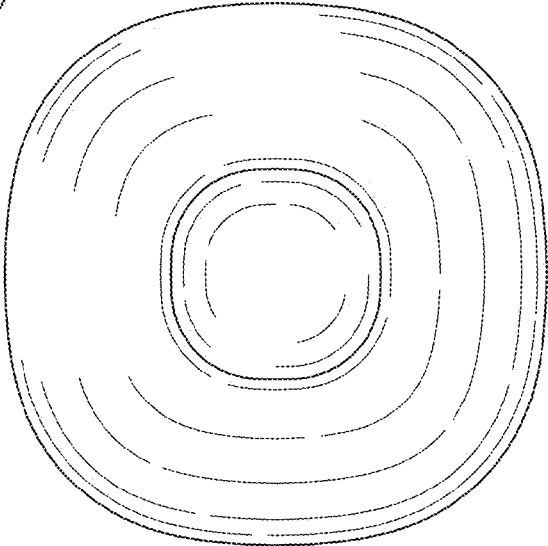


FIG. 12

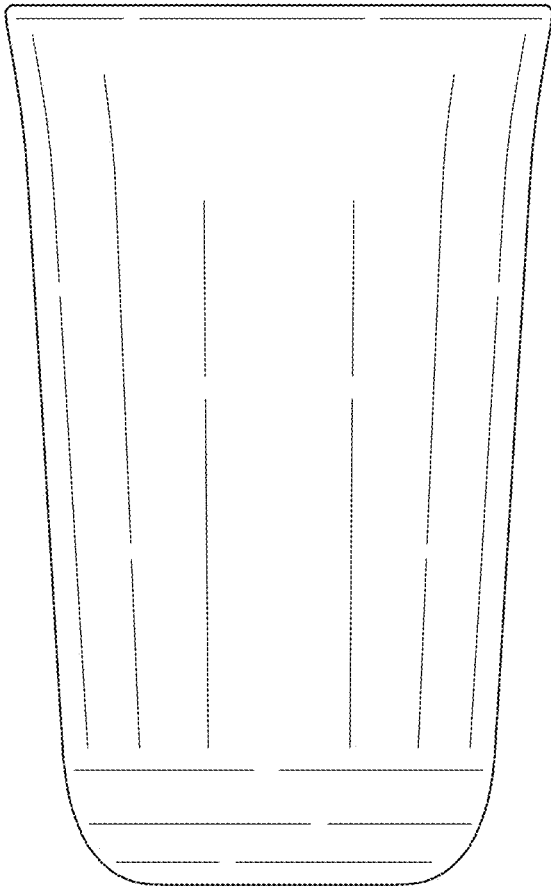


FIG. 13

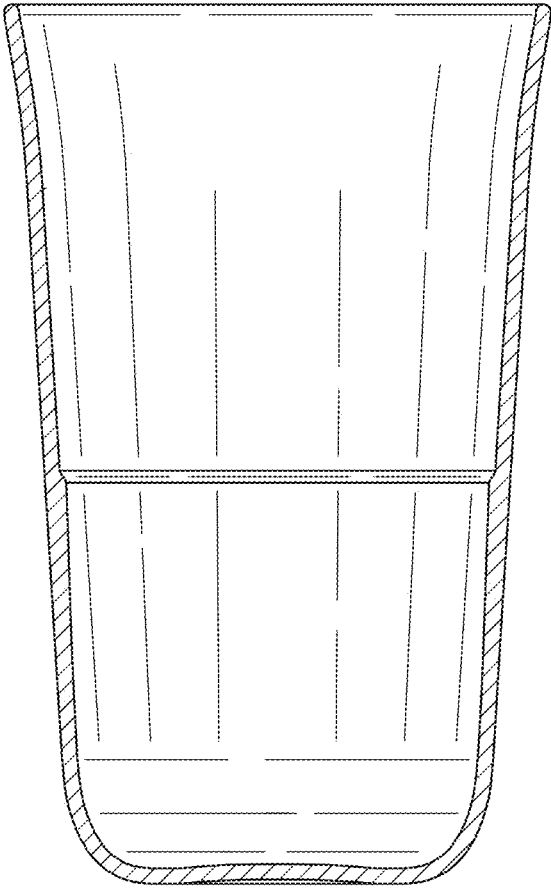


FIG. 14