



(51) International Patent Classification:  
H02J 3/38 (2006.01)

(21) International Application Number:  
PCT/US2012/042294

(22) International Filing Date:  
13 June 2012 (13.06.2012)

(25) Filing Language: English

(26) Publication Language: English

(30) Priority Data:  
61/496,400 13 June 2011 (13.06.2011) US

(71) Applicant (for all designated States except US): **DEMAND ENERGY NETWORKS, INC.** [US/US]; 23403 E. Mission Avenue, #111, Liberty Lake, WA 99019 (US).

(72) Inventors; and

(75) Inventors/Applicants (for US only): **JOHNSON, Shane** [US/US]; 23403 E. Mission Avenue, #111, Liberty Lake, WA 99019 (US). **COXON, Allan** [US/US]; 23403 E. Mission Avenue, #111, Liberty Lake, WA 99019 (US).

**WALKER, Ian** [US/US]; 23403 E. Mission Avenue, #111, Liberty Lake, WA 99019 (US).

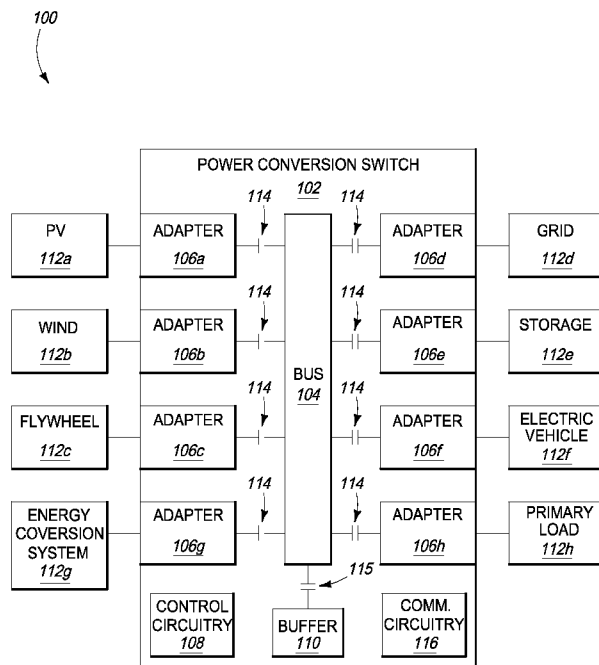
(74) Agent: **SHAURETTE, James, D.**; Wells St. John P.S., 601 W. 1st Avenue, Suite 1300, Spokane, WA 99201-3828 (US).

(81) Designated States (unless otherwise indicated, for every kind of national protection available): AE, AG, AL, AM, AO, AT, AU, AZ, BA, BB, BG, BH, BR, BW, BY, BZ, CA, CH, CL, CN, CO, CR, CU, CZ, DE, DK, DM, DO, DZ, EC, EE, EG, ES, FI, GB, GD, GE, GH, GM, GT, HN, HR, HU, ID, IL, IN, IS, JP, KE, KG, KM, KN, KP, KR, KZ, LA, LC, LK, LR, LS, LT, LU, LY, MA, MD, ME, MG, MK, MN, MW, MX, MY, MZ, NA, NG, NI, NO, NZ, OM, PE, PG, PH, PL, PT, QA, RO, RS, RU, RW, SC, SD, SE, SG, SK, SL, SM, ST, SV, SY, TH, TJ, TM, TN, TR, TT, TZ, UA, UG, US, UZ, VC, VN, ZA, ZM, ZW.

(84) Designated States (unless otherwise indicated, for every kind of regional protection available): ARIPO (BW, GH, GM, KE, LR, LS, MW, MZ, NA, RW, SD, SL, SZ, TZ, UG, ZM, ZW), Eurasian (AM, AZ, BY, KG, KZ, RU, TJ, TM), European (AL, AT, BE, BG, CH, CY, CZ, DE, DK,

[Continued on next page]

(54) Title: ENERGY SYSTEMS AND ENERGY SUPPLY METHODS



(57) Abstract: Energy systems and energy supply methods are described. In one aspect, an energy system includes a bus system configured to conduct electrical energy, a plurality of input adapters electrically coupled with the bus system and configured to electrically couple with a plurality of respective source entities which are individually configured to provide electrical energy, a plurality of output adapters electrically coupled with the bus system and configured to electrically couple with a plurality of respective consuming entities which are individually configured to consume electrical energy, and control circuitry configured to control individual ones of the input adapters to provide electrical energy from respective ones of the source entities to the bus system and to control individual ones of the output adapters to provide electrical energy from the bus system to respective ones of the consuming entities.

WO 2012/174145 A3



EE, ES, FI, FR, GB, GR, HR, HU, IE, IS, IT, LT, LU,  
LV, MC, MK, MT, NL, NO, PL, PT, RO, RS, SE, SI, SK,  
SM, TR), OAPI (BF, BJ, CF, CG, CI, CM, GA, GN, GQ,  
GW, ML, MR, NE, SN, TD, TG).

**Published:**

- *with international search report (Art. 21(3))*
- *before the expiration of the time limit for amending the claims and to be republished in the event of receipt of amendments (Rule 48.2(h))*

**Declarations under Rule 4.17:**

- *as to applicant's entitlement to apply for and be granted a patent (Rule 4.17(ii))*

**(88) Date of publication of the international search report:**

14 March 2013

**A. CLASSIFICATION OF SUBJECT MATTER*****H02J 3/38(2006.01)i***

According to International Patent Classification (IPC) or to both national classification and IPC

**B. FIELDS SEARCHED**

Minimum documentation searched (classification system followed by classification symbols)

H02J 3/38; H02J 1/10; H02M 7/00; H02M 3/28; G06F 7/38

Documentation searched other than minimum documentation to the extent that such documents are included in the fields searched

Korean utility models and applications for utility models

Japanese utility models and applications for utility models

Electronic data base consulted during the international search (name of data base and, where practicable, search terms used)

eKOMPASS(KIPO internal) &amp; Keywords: energy, bus system, adapter, control, power conversion, and switch

**C. DOCUMENTS CONSIDERED TO BE RELEVANT**

Category*	Citation of document, with indication, where appropriate, of the relevant passages	Relevant to claim No.
A	US 2010-0320837 A1 (CRAIG WILLIAM HARRISON) 23 December 2010 See abstract, paragraphs [0035]-[0039], claims 1-2, and figures 1-7.	1-22
A	US 2005-0185429 A1 (PATRIZIO VINCIARELLI) 25 August 2005 See abstract, paragraphs [0048]-[0049], claims 1-12, and figures 1-8.	1-22
A	WO 2009-082721 A1 (WI-CHI, INC. et al.) 02 July 2009 See abstract, claims 1-21, and figures 1-35.	1-22
A	KR 10-2008-0110376 A (LS CABLE LTD.) 18 December 2008 See abstract, claims 1-3, and figures 1-3.	1-22
A	US 2009-0296432 A1 (ALAIN CHAPUIS) 03 December 2009 See abstract, claims 1-28, and figures 1-7.	1-22

 Further documents are listed in the continuation of Box C. See patent family annex.

\* Special categories of cited documents:

"A" document defining the general state of the art which is not considered to be of particular relevance

"E" earlier application or patent but published on or after the international filing date

"L" document which may throw doubts on priority claim(s) or which is cited to establish the publication date of citation or other special reason (as specified)

"O" document referring to an oral disclosure, use, exhibition or other means

"P" document published prior to the international filing date but later than the priority date claimed

"T" later document published after the international filing date or priority date and not in conflict with the application but cited to understand the principle or theory underlying the invention

"X" document of particular relevance; the claimed invention cannot be considered novel or cannot be considered to involve an inventive step when the document is taken alone

"Y" document of particular relevance; the claimed invention cannot be considered to involve an inventive step when the document is combined with one or more other such documents, such combination being obvious to a person skilled in the art

"&amp;" document member of the same patent family

Date of the actual completion of the international search

22 JANUARY 2013 (22.01.2013)

Date of mailing of the international search report

**23 JANUARY 2013 (23.01.2013)**

Name and mailing address of the ISA/KR

Korean Intellectual Property Office  
189 Cheongsu-ro, Seo-gu, Daejeon Metropolitan  
City, 302-701, Republic of Korea

Facsimile No. 82-42-472-7140

Authorized officer

PARK, Hye Lyun

Telephone No. 82-42-481-3463



**INTERNATIONAL SEARCH REPORT**

Information on patent family members

International application No.

**PCT/US2012/042294**

Patent document cited in search report	Publication date	Patent family member(s)	Publication date
US 2010-0320837 A1	23.12.2010	AU 2008-323597 A1 EP 2220734 A1 WO 2009-062227 A1	22.05.2009 25.08.2010 22.05.2009
US 2005-0185429 A1	25.08.2005	US 2005-0185430 A1 US 2005-0254272 A1 US 2005-0270812 A1 US 2007-0091649 A1 US 2007-0159862 A1 US 2008-0123374 A1 US 2009-0225575 A1 US 7170764 B2 US 7212419 B2 US 7408795 B2 US 7420825 B2 US 7423892 B2 US 7548441 B2 US 7561446 B1 US 7616465 B1 US 7782639 B2 US 7920391 B1 US 7940540 B2	25.08.2005 17.11.2005 08.12.2005 26.04.2007 12.07.2007 29.05.2008 10.09.2009 30.01.2007 01.05.2007 05.08.2008 02.09.2008 09.09.2008 16.06.2009 14.07.2009 10.11.2009 24.08.2010 05.04.2011 10.05.2011
WO 2009-082721 A1	02.07.2009	CN 101946394 A CN 102301578 A EP 2232689 A1 KR 10-2010-0092974 A KR 10-2011-0104525 A KR 10-2012-0039722 A TW 201034354 A US 2009-0160259 A1 US 2010-0157632 A1 US 2010-0157638 A1 WO 2010-071855 A3	12.01.2011 28.12.2011 29.09.2010 23.08.2010 22.09.2011 25.04.2012 16.09.2010 25.06.2009 24.06.2010 24.06.2010 24.06.2010
KR 10-2008-0110376 A	18.12.2008	None	
US 2009-0296432 A1	03.12.2009	CN 102047522 A EP 2289141 A1 JP 2011-523338 A KR 10-2011-0021952 A US 8179705 B2 WO 2009-146259 A1	04.05.2011 02.03.2011 04.08.2011 04.03.2011 15.05.2012 03.12.2009