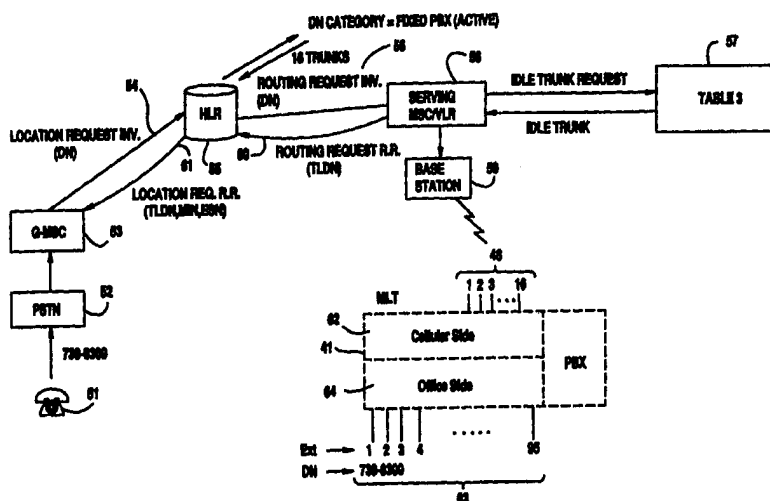




INTERNATIONAL APPLICATION PUBLISHED UNDER THE PATENT COOPERATION TREATY (PCT)

<p>(51) International Patent Classification ⁶ : H04Q 7/20, 7/22</p>	<p>A3</p>	<p>(11) International Publication Number: WO 98/24248 (43) International Publication Date: 4 June 1998 (04.06.98)</p>
<p>(21) International Application Number: PCT/SE97/01939 (22) International Filing Date: 18 November 1997 (18.11.97) (30) Priority Data: 08/753,699 27 November 1996 (27.11.96) US (71) Applicant: TELEFONAKTIEBOLAGET LM ERICSSON (publ) [SE/SE]; S-126 25 Stockholm (SE). (72) Inventors: DUFOUR, Daniel; 62-43e Avenue Est, Blainville, Quebec J7C 3M7 (CA). TURCOTTE, Eric; Apartment 1B, 460 Abelard, Verdun, Quebec H3E 1B5 (CA). (74) Agent: TELEFONAKTIEBOLAGET LM ERICSSON (publ); Patent and Trademark Dept., S-126 25 Stockholm (SE).</p>	<p>(81) Designated States: AL, AM, AT, AU, AZ, BA, BB, BG, BR, BY, CA, CH, CN, CU, CZ, DE, DK, EE, ES, FI, GB, GE, GH, HU, ID, IL, IS, JP, KE, KG, KP, KR, KZ, LC, LK, LR, LS, LT, LU, LV, MD, MG, MK, MN, MW, MX, NO, NZ, PL, PT, RO, RU, SD, SE, SG, SI, SK, SL, TJ, TM, TR, TT, UA, UG, UZ, VN, YU, ZW, ARIPO patent (GH, KE, LS, MW, SD, SZ, UG, ZW), Eurasian patent (AM, AZ, BY, KG, KZ, MD, RU, TJ, TM), European patent (AT, BE, CH, DE, DK, ES, FI, FR, GB, GR, IE, IT, LU, MC, NL, PT, SE), OAPI patent (BF, BJ, CF, CG, CI, CM, GA, GN, ML, MR, NE, SN, TD, TG).</p> <p>Published <i>With international search report. Before the expiration of the time limit for amending the claims and to be republished in the event of the receipt of amendments.</i></p> <p>(88) Date of publication of the international search report: 11 September 1998 (11.09.98)</p>	

(54) Title: SYSTEM AND METHOD OF PROVIDING GROUP WIRELESS EXTENSION PHONE SERVICE IN A RADIO TELECOMMUNICATIONS NETWORK



(57) Abstract

A radio telecommunications network (10) for providing group extension phone service to a plurality of subscribers utilizing standard wireline telephones (63) is disclosed. The network comprises a gateway mobile switching center (G-MSC) (53, 73) connected to an external communication network (52, 72), a home location register (HLR) (55, 75) which includes a database of directory number (DN) categories, a serving mobile switching center/visited location register (MSC/VLR) (56, 78) which includes a plurality of cellular trunks (57) in a pool configuration, a base station (59) connected to the serving MSC/VLR, and a multi-line terminal (MLT) (44) for connecting the plurality of standard wireline telephones (63) to the base station. The MLT (41) includes a cellular side (62) for establishing a radio link to the base station, an office side (64) for establishing wireline connections to the plurality of standard wireline telephones, and an interface between the cellular side and the office side.

FOR THE PURPOSES OF INFORMATION ONLY

Codes used to identify States party to the PCT on the front pages of pamphlets publishing international applications under the PCT.

AL	Albania	ES	Spain	LS	Lesotho	SI	Slovenia
AM	Armenia	FI	Finland	LT	Lithuania	SK	Slovakia
AT	Austria	FR	France	LU	Luxembourg	SN	Senegal
AU	Australia	GA	Gabon	LV	Latvia	SZ	Swaziland
AZ	Azerbaijan	GB	United Kingdom	MC	Monaco	TD	Chad
BA	Bosnia and Herzegovina	GE	Georgia	MD	Republic of Moldova	TG	Togo
BB	Barbados	GH	Ghana	MG	Madagascar	TJ	Tajikistan
BE	Belgium	GN	Guinea	MK	The former Yugoslav Republic of Macedonia	TM	Turkmenistan
BF	Burkina Faso	GR	Greece			TR	Turkey
BG	Bulgaria	HU	Hungary	ML	Mali	TT	Trinidad and Tobago
BJ	Benin	IE	Ireland	MN	Mongolia	UA	Ukraine
BR	Brazil	IL	Israel	MR	Mauritania	UG	Uganda
BY	Belarus	IS	Iceland	MW	Malawi	US	United States of America
CA	Canada	IT	Italy	MX	Mexico	UZ	Uzbekistan
CF	Central African Republic	JP	Japan	NE	Niger	VN	Viet Nam
CG	Congo	KE	Kenya	NL	Netherlands	YU	Yugoslavia
CH	Switzerland	KG	Kyrgyzstan	NO	Norway	ZW	Zimbabwe
CI	Côte d'Ivoire	KP	Democratic People's Republic of Korea	NZ	New Zealand		
CM	Cameroon			PL	Poland		
CN	China	KR	Republic of Korea	PT	Portugal		
CU	Cuba	KZ	Kazakstan	RO	Romania		
CZ	Czech Republic	LC	Saint Lucia	RU	Russian Federation		
DE	Germany	LI	Liechtenstein	SD	Sudan		
DK	Denmark	LK	Sri Lanka	SE	Sweden		
EE	Estonia	LR	Liberia	SG	Singapore		

INTERNATIONAL SEARCH REPORT

International Application No

PCT/SE 97/01939

A. CLASSIFICATION OF SUBJECT MATTER
 IPC 6 H0407/20 H0407/22

According to International Patent Classification (IPC) or to both national classification and IPC

B. FIELDS SEARCHED

Minimum documentation searched (classification system followed by classification symbols)
 IPC 6 H040

Documentation searched other than minimum documentation to the extent that such documents are included in the fields searched

Electronic data base consulted during the international search (name of data base and, where practical, search terms used)

C. DOCUMENTS CONSIDERED TO BE RELEVANT

Category	Citation of document, with indication, where appropriate, of the relevant passages	Relevant to claim No
X	WO 95 29565 A (NORTHERN TELECOM LTD) 2 November 1995 see page 6, line 16 - page 9, line 37	1, 3, 5-9
A	see page 13, line 26 - page 14, line 31 ---	11-15
X	BRAENDSTROEM C ET AL: "FIXED CELLULAR SYSTEMS AN ALTERNATIVE WAY TO PROVIDE BASIC TELEPHONY" ERICSSON REVIEW, vol. 73, no. 1, 1 January 1996, pages 4-13, XP000584595 see page 5, right-hand column, line 26 - page 6, left-hand column, line 22 see page 8, right-hand column, line 30 - page 10, right-hand column, line 44 --- -/--	1-4

Further documents are listed in the continuation of box C.

Patent family members are listed in annex.

Special categories of cited documents:

- "A" document defining the general state of the art which is not considered to be of particular relevance
- "E" earlier document but published on or after the international filing date
- "L" document which may throw doubts on priority claim(s) or which is cited to establish the publication date of another citation or other special reason (as specified)
- "O" document referring to an oral disclosure, use, exhibition or other means
- "P" document published prior to the international filing date but later than the priority date claimed

- "T" later document published after the international filing date or priority date and not in conflict with the application but cited to understand the principle or theory underlying the invention
- "X" document of particular relevance; the claimed invention cannot be considered novel or cannot be considered to involve an inventive step when the document is taken alone
- "Y" document of particular relevance; the claimed invention cannot be considered to involve an inventive step when the document is combined with one or more other such documents, such combination being obvious to a person skilled in the art.
- "&" document member of the same patent family

Date of the actual completion of the international search

23 July 1998

Date of mailing of the international search report

30/07/1998

Name and mailing address of the ISA

European Patent Office, P.B. 5818 Patentlaan 2
 NL - 2280 HV Rijswijk
 Tel. (+31-70) 340-2040, Tx. 31 651 epo nl.
 Fax: (+31-70) 340-3016

Authorized officer

Baas, G

INTERNATIONAL SEARCH REPORT

International Application No
PCT/SE 97/01939

C.(Continuation) DOCUMENTS CONSIDERED TO BE RELEVANT

Category	Citation of document, with indication, where appropriate, of the relevant passages	Relevant to claim No
X	GB 2 293 524 A (MOTOROLA INC) 27 March 1996 see page 10, line 33 - page 19, line 33 see page 20, line 17 - page 23, line 6 ---	1.3.5.6
X	US 5 544 223 A (ROBBINS BARRY R ET AL) 6 August 1996 see column 4, line 66 - column 7, line 52 -----	1.3
A		5-9, 11-15

INTERNATIONAL SEARCH REPORT

Information on patent family members

International Application No

PCT/SE 97/01939

Patent document cited in search report	Publication date	Patent family member(s)	Publication date
WO 9529565 A	02-11-1995	CN 1146844 A	02-04-1997
		EP 0757879 A	12-02-1997
		JP 9512154 T	02-12-1997
GB 2293524 A	27-03-1996	US 5596624 A	21-01-1997
		AU 2721695 A	18-04-1996
		BR 9504746 A	08-10-1996
		CN 1123507 A	29-05-1996
US 5544223 A	06-08-1996	AU 4776396 A	21-08-1996
		BR 9607165 A	11-11-1997
		CN 1172572 A	04-02-1998
		EP 0807364 A	19-11-1997
		WO 9624232 A	08-08-1996
		ZA 9600226 A	09-07-1996