



US00D891440S

(12) **United States Design Patent**
Kim et al.

(10) **Patent No.:** **US D891,440 S**

(45) **Date of Patent:** **** Jul. 28, 2020**

(54) **DISPLAY SCREEN OR PORTION THEREOF WITH TRANSITIONAL GRAPHICAL USER INTERFACE**

(71) Applicant: **Samsung Electronics Co., Ltd.**,
Suwon-si (KR)

(72) Inventors: **Kyung-Jin Kim**, Seoul (KR); **Mi-Ra Yu**, Seoul (KR); **Jean-Christophe Naour**, Ahnyang-si (KR); **Woo-Seok Hwang**, Seoul (KR)

(73) Assignee: **Samsung Electronics Co., Ltd.**,
Suwon-si (KR)

(**) Term: **15 Years**

(21) Appl. No.: **29/637,664**

(22) Filed: **Feb. 21, 2018**

(30) **Foreign Application Priority Data**

Aug. 30, 2017 (KR) 30-2017-0040524

(51) **LOC (12) Cl.** **14-04**

(52) **U.S. Cl.**
USPC **D14/485**

(58) **Field of Classification Search**
USPC D14/485-488, 489-495
(Continued)

(56) **References Cited**

U.S. PATENT DOCUMENTS

D549,715 S * 8/2007 Moody D14/485
D612,861 S * 3/2010 Lee D14/485
(Continued)

FOREIGN PATENT DOCUMENTS

EM 001377162-0004 8/2013
EM 001392989-0001 1/2014
(Continued)

OTHER PUBLICATIONS

Admin. "Drop-Down Menus in HTML and CSS." CodeMahal, posted Mar. 8, 2016 (Retrieved from the Internet Jun. 6, 2019). Internet URL: < <https://www.codemahal.com/video/drop-down-menus-in-html-and-css/> > (Year: 2016).*

Primary Examiner — Jack Reickel
Assistant Examiner — Rachel A Voorhies
(74) *Attorney, Agent, or Firm* — NSIP Law

(57) **CLAIM**

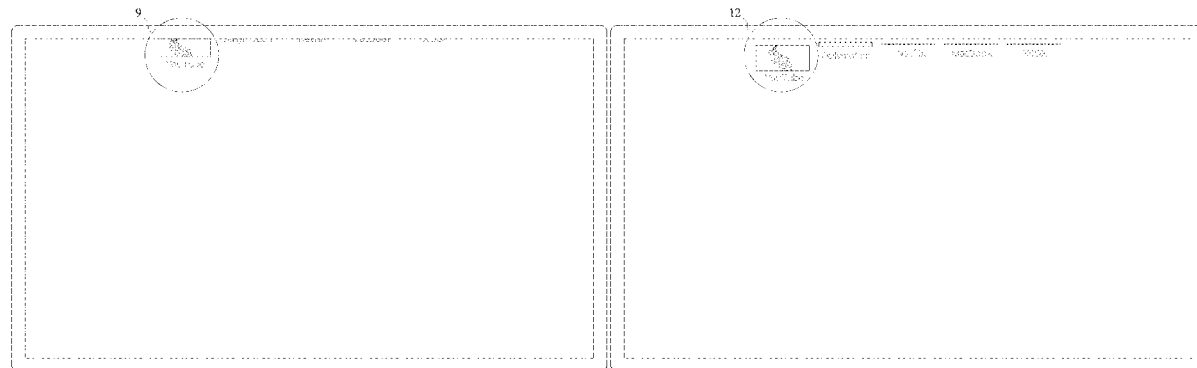
We claim the ornamental design for a display screen or portion thereof with transitional graphical user interface, as shown and described.

DESCRIPTION

FIG. 1 is a first image of a display screen or portion thereof with transitional graphical user interface showing our new design; FIG. 2 is a second image thereof; FIG. 3 is a third image thereof; FIG. 4 is a fourth image thereof; FIG. 5 is a fifth image thereof; FIG. 6 is a sixth image thereof; FIG. 7 is a seventh image thereof; FIG. 8 is an eighth image thereof; FIG. 9 is an enlarged view of the encircled portion shown in FIG. 1; FIG. 10 is an enlarged view of the encircled portion shown in FIG. 2; FIG. 11 is an enlarged view of the encircled portion shown in FIG. 3; FIG. 12 is an enlarged view of the encircled portion shown in FIG. 4; FIG. 13 is an enlarged view of the encircled portion shown in FIG. 5; and, FIG. 14 is an enlarged view of the encircled portion shown in FIG. 6.

The outer perimeter shown in a pair of dashed broken lines in the drawings represents a display screen or portion thereof and forms no part of the claimed design. The remaining

(Continued)



dashed broken lines in the drawings illustrate portions of the transitional graphical user interface that form no part of the claimed design.

The subject matter depicted in broken lines within the left-most rectangular box in FIGS. 1 through 6 forms no part of the claimed design.

The dot-dash broken lines encircling portions of the display screen or portion thereof with transitional graphical user interface shown in enlargements form no part of the claimed design.

The appearance of the transitional image sequentially transitions between the images shown in FIGS. 1 through 8. The process or period in which one image transitions to another image forms no part of the claimed design.

Any trademarks or copyrights shown in broken lines in the drawing figures are the property of their respective owners and form no part of the claimed design.

1 Claim, 14 Drawing Sheets

(58) **Field of Classification Search**

CPC G06T 13/80; G06T 15/02; H04L 12/2631;
H04L 43/045; H04L 41/22; G01C 21/36

See application file for complete search history.

(56)

References Cited

U.S. PATENT DOCUMENTS

D668,672 S * 10/2012 Chaudhri D14/489
D669,486 S * 10/2012 Garn D14/485

D689,082 S * 9/2013 Stiffler D14/486
D689,085 S * 9/2013 Pasceri D14/486
D766,924 S * 9/2016 Wang D14/485
D772,251 S * 11/2016 Chaudhri D14/485
D773,527 S * 12/2016 Butcher D14/488
D774,053 S * 12/2016 Kim D14/485
D775,141 S * 12/2016 Chaplin D14/485
D778,289 S * 2/2017 Kisselev D14/485
D786,919 S * 5/2017 Bae D14/488
D794,066 S * 8/2017 Hiramatsu D14/488
D797,121 S * 9/2017 Tegethoff D14/485
D805,539 S * 12/2017 Kim D14/486
D811,418 S * 2/2018 Sun D14/485
D820,848 S * 6/2018 Kondo D14/485
D824,412 S * 7/2018 Anzures D14/486
D826,954 S * 8/2018 Wang D14/485
D831,672 S * 10/2018 Spector D14/485
D832,283 S * 10/2018 Tellis D14/485
D842,322 S * 3/2019 Torrento D14/486
D844,659 S * 4/2019 Ball D14/488
D845,982 S * 4/2019 Scott D14/486
D845,989 S * 4/2019 Scott D14/487
D846,586 S * 4/2019 Kim D14/487
D848,468 S * 5/2019 Ng D14/486
D850,478 S * 6/2019 Kim D14/486
2016/0132465 A1 * 5/2016 Marks G06F 17/212
715/235

FOREIGN PATENT DOCUMENTS

EM 002676429-0002 4/2015
EM 001445639-0057 4/2016
KR 30-2008-0018342 11/2008

* cited by examiner

FIG. 1

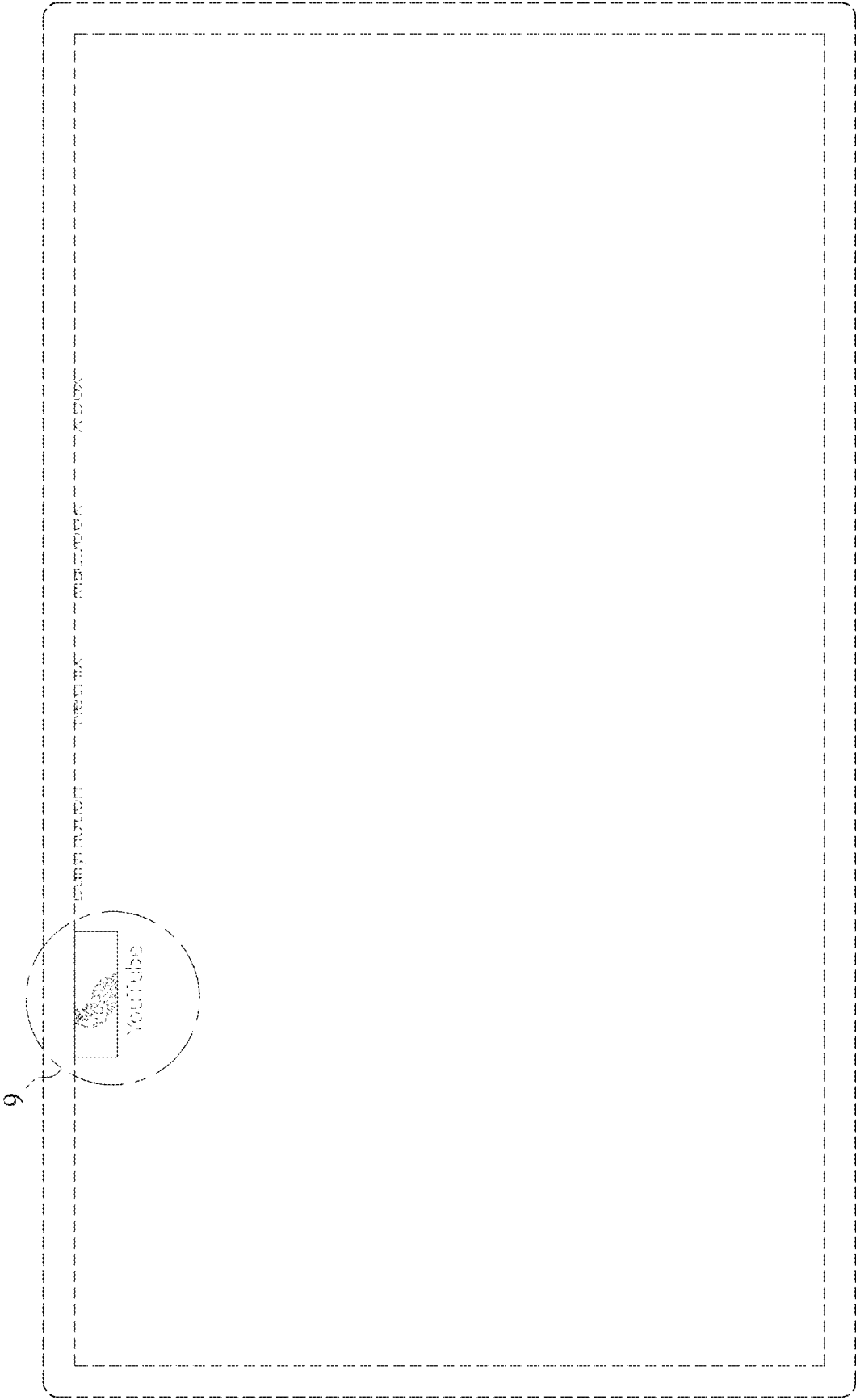


FIG. 2

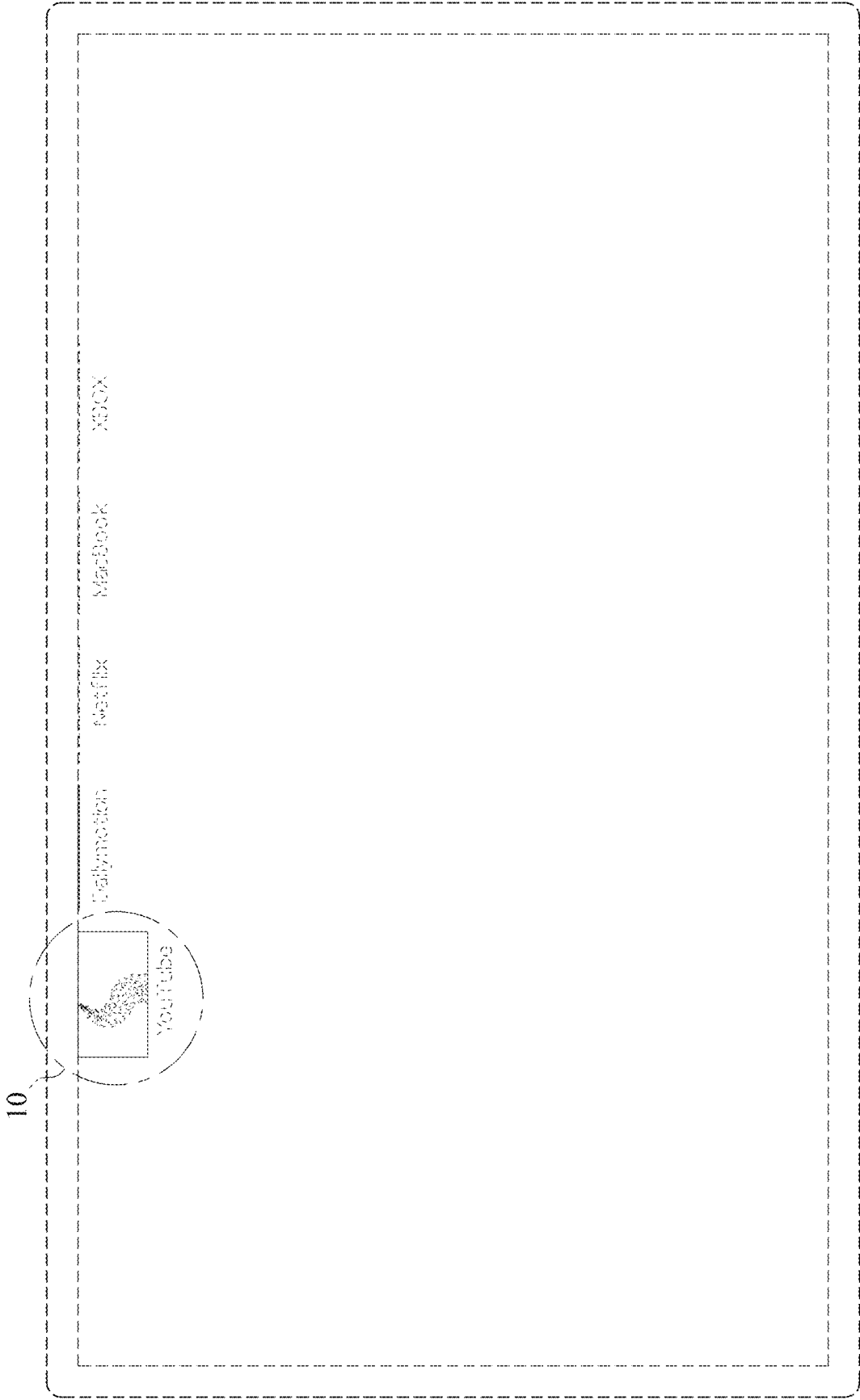


FIG. 3

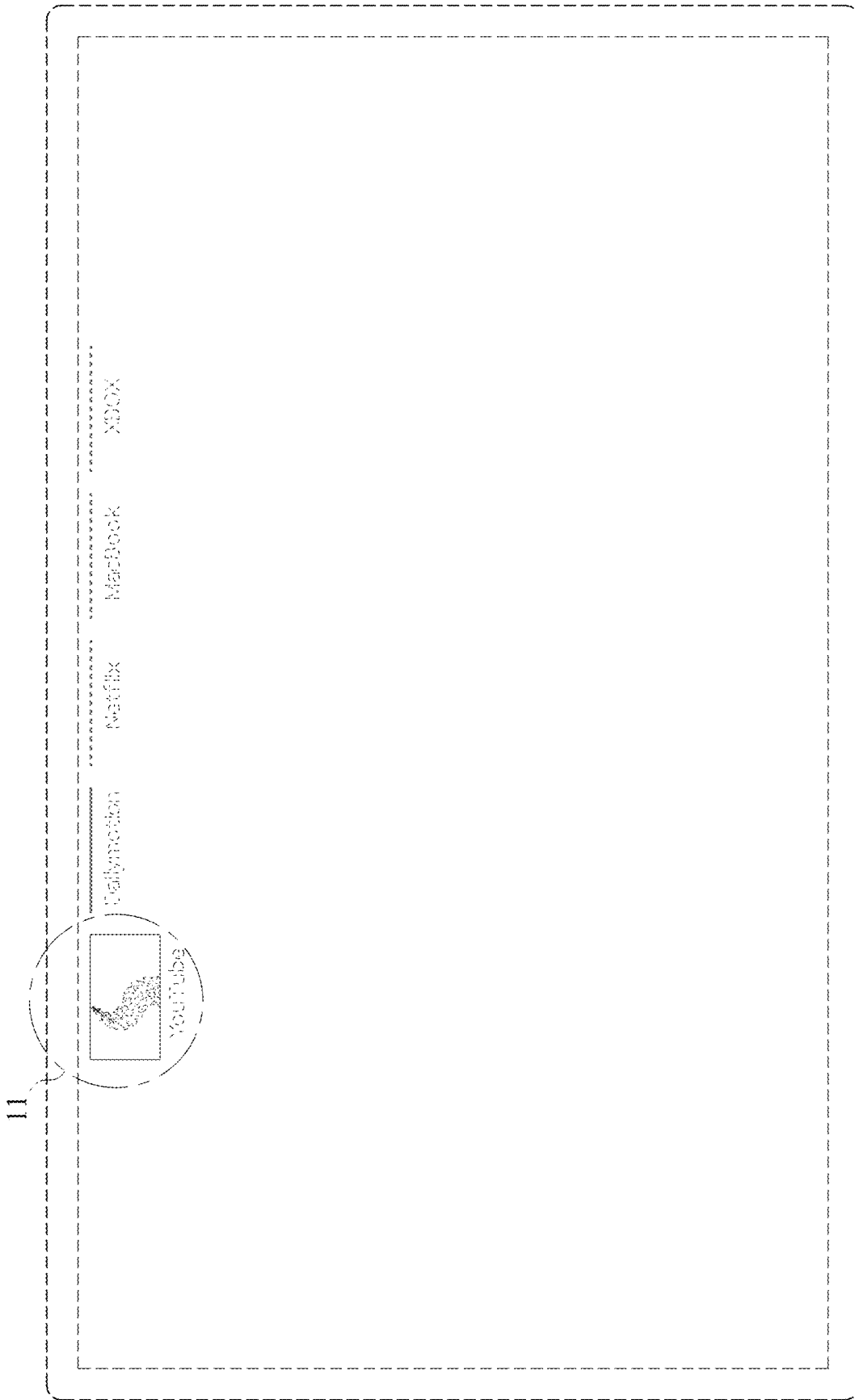


FIG. 4

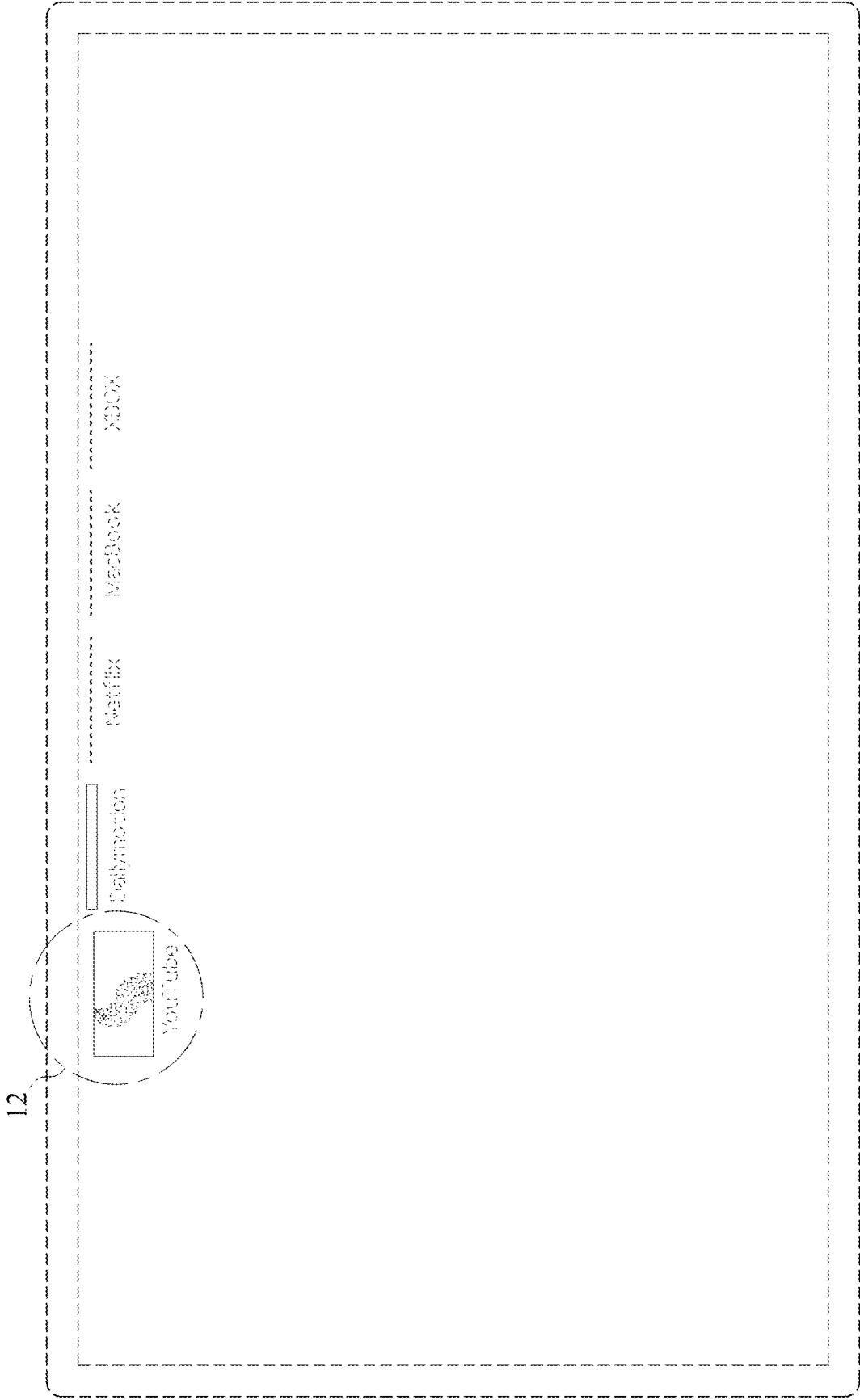


FIG. 5

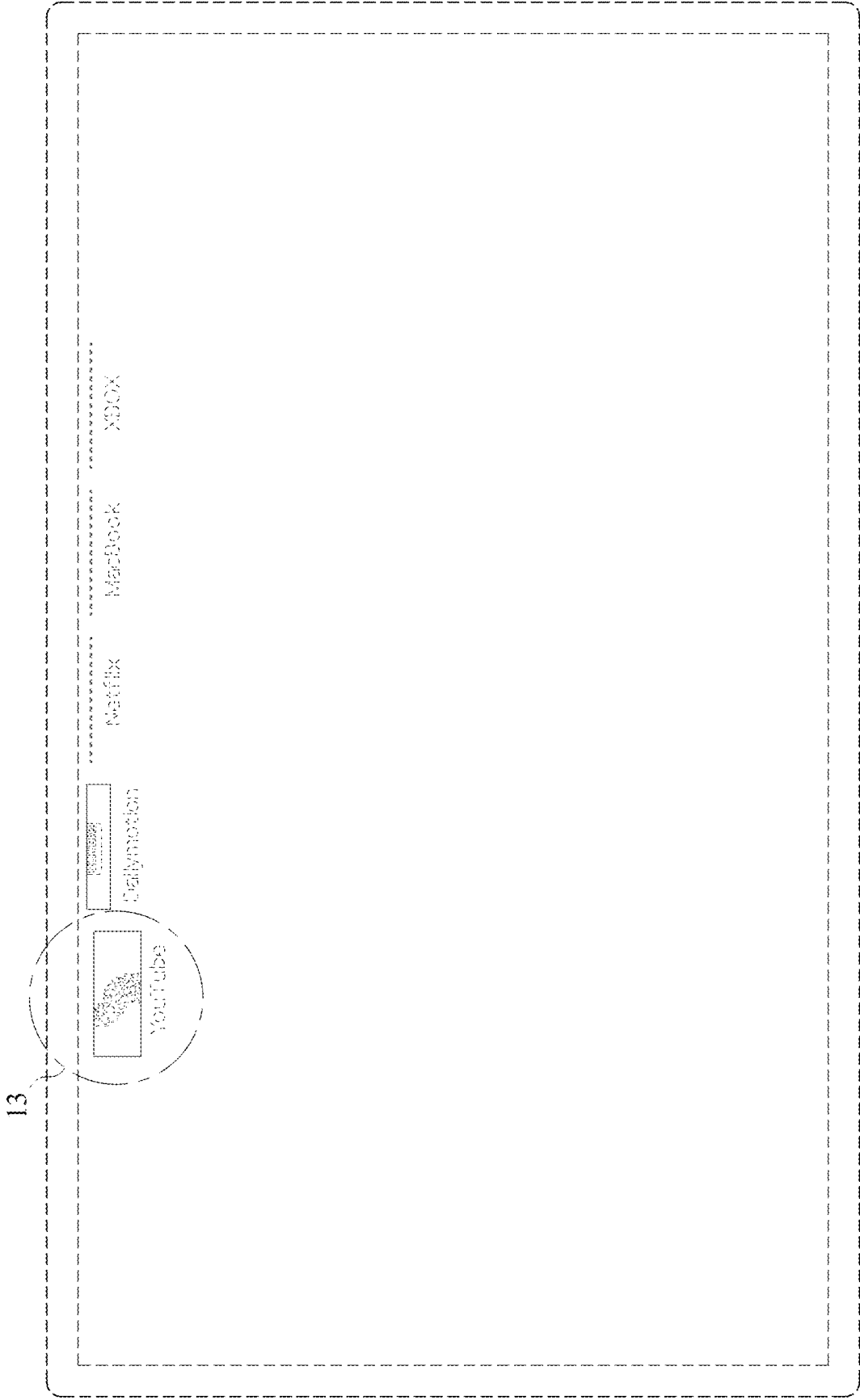


FIG. 6

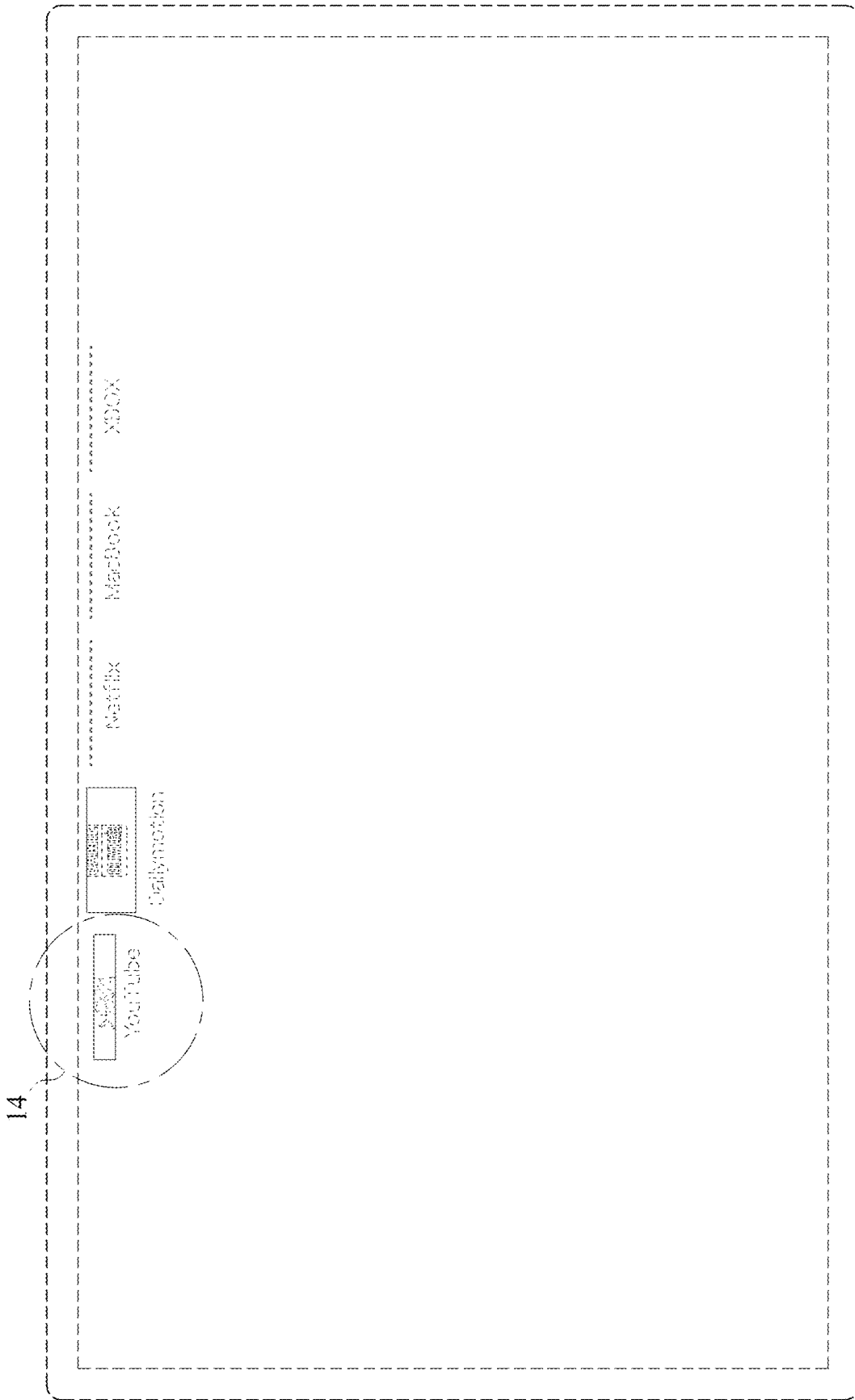


FIG. 7

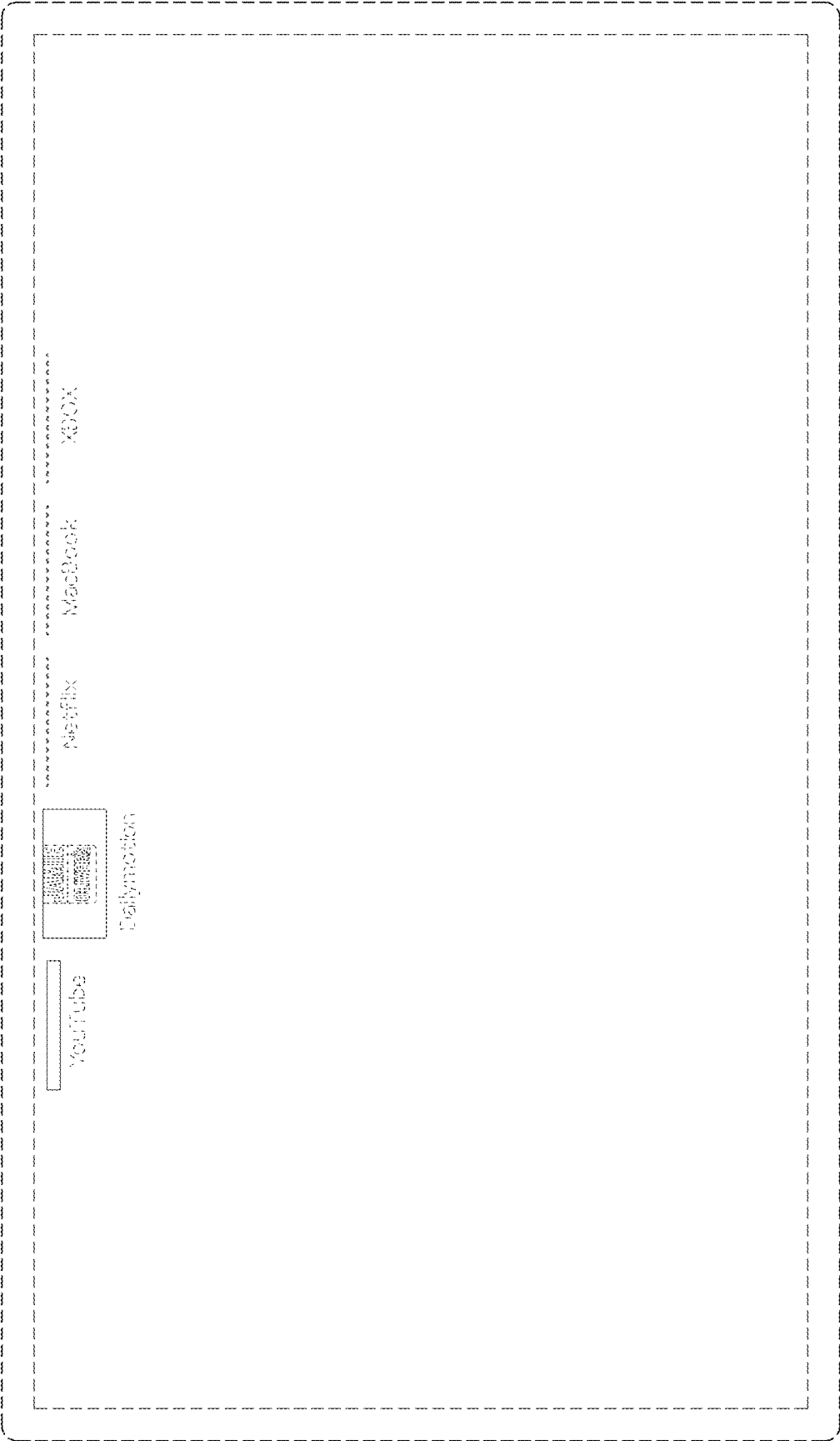


FIG. 8

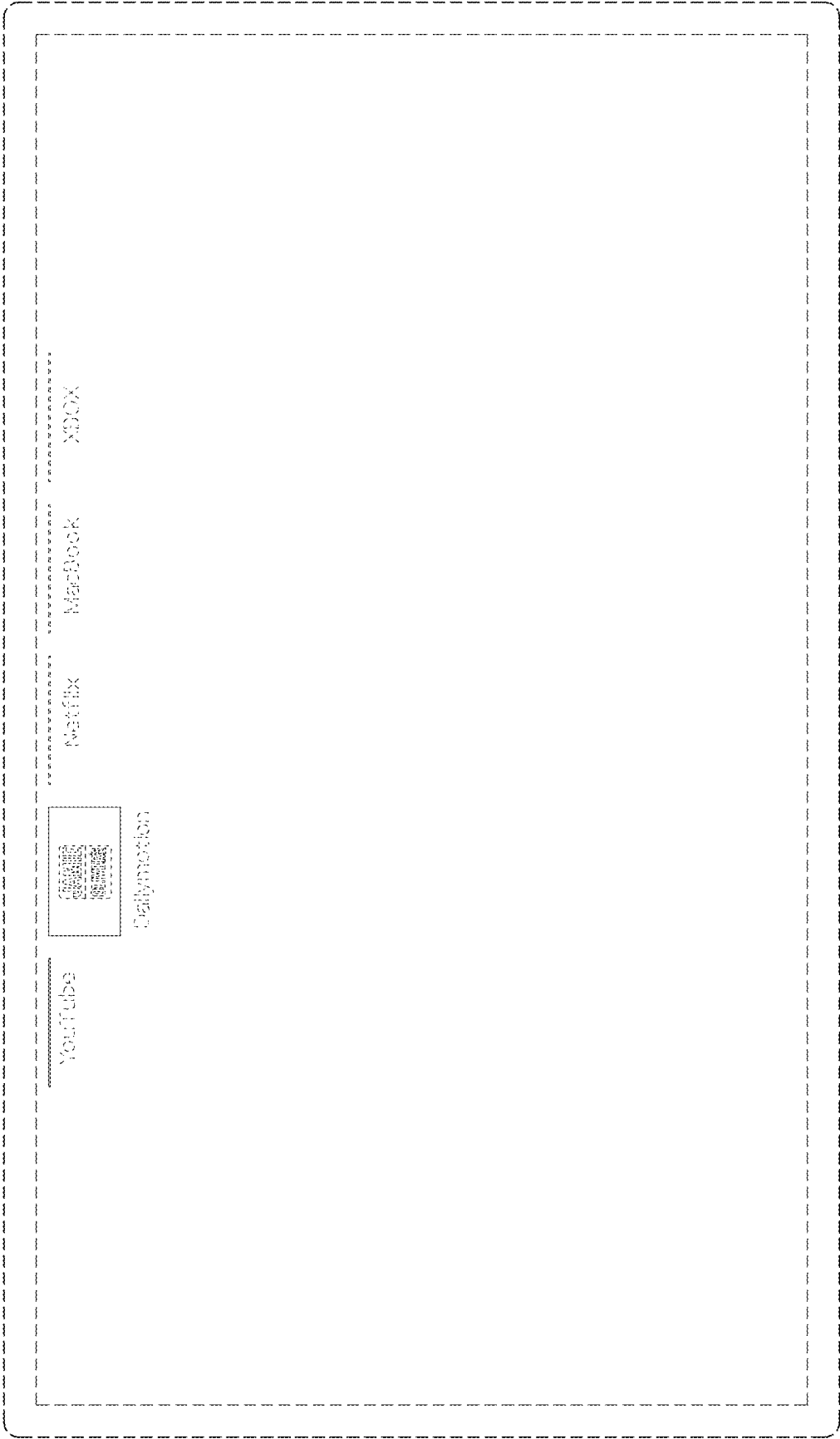


FIG. 9

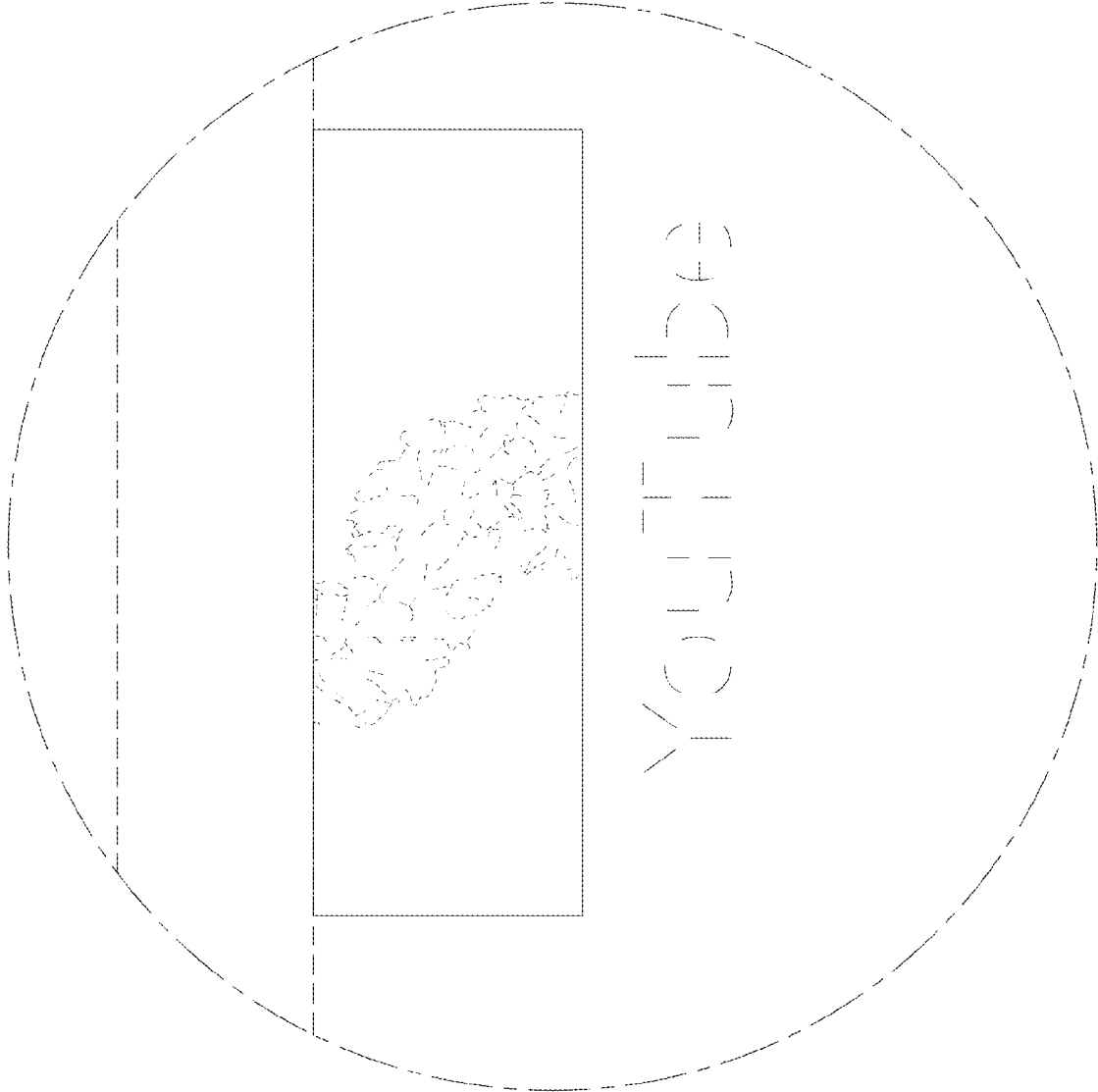


FIG. 10

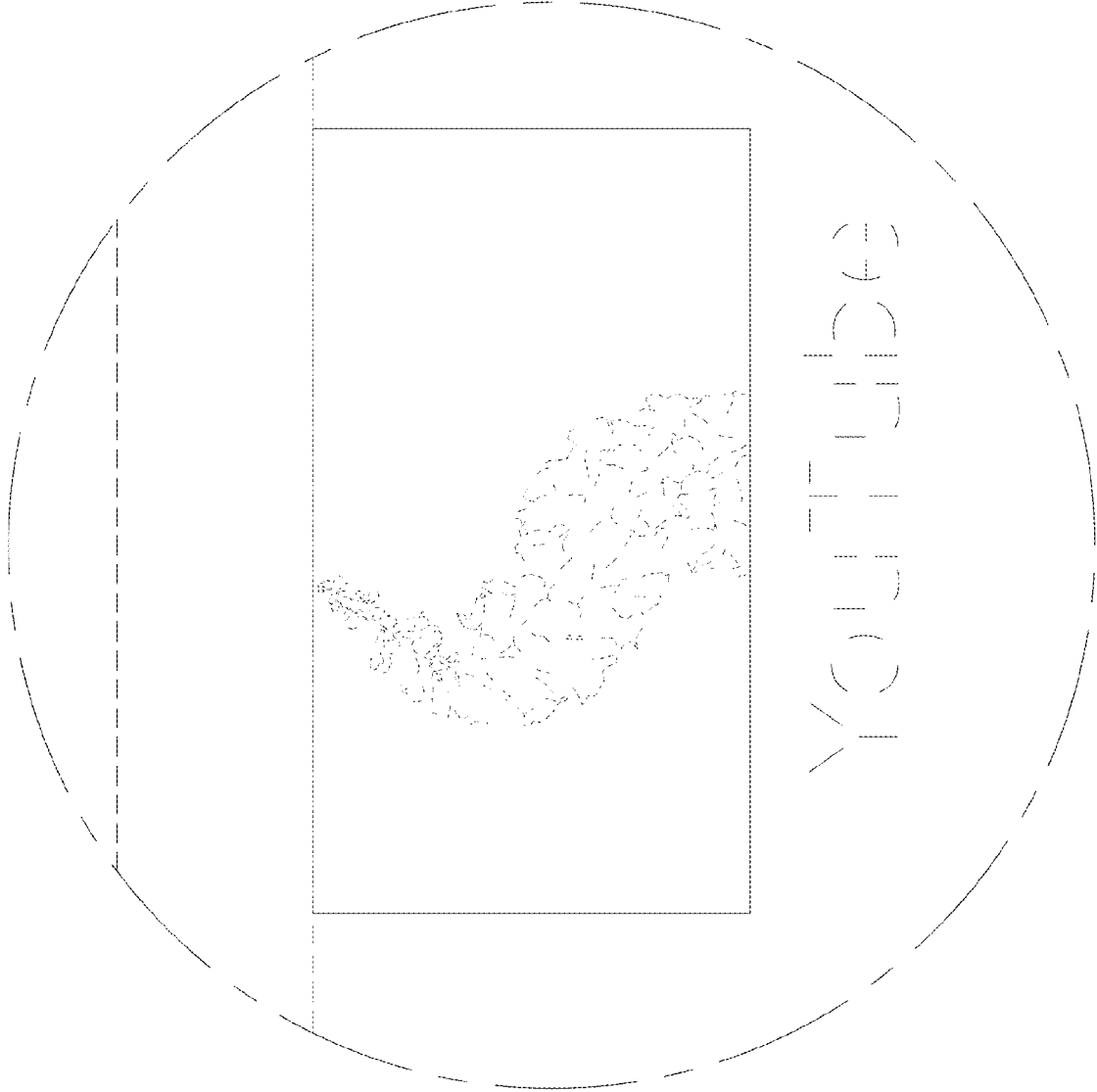


FIG. 11

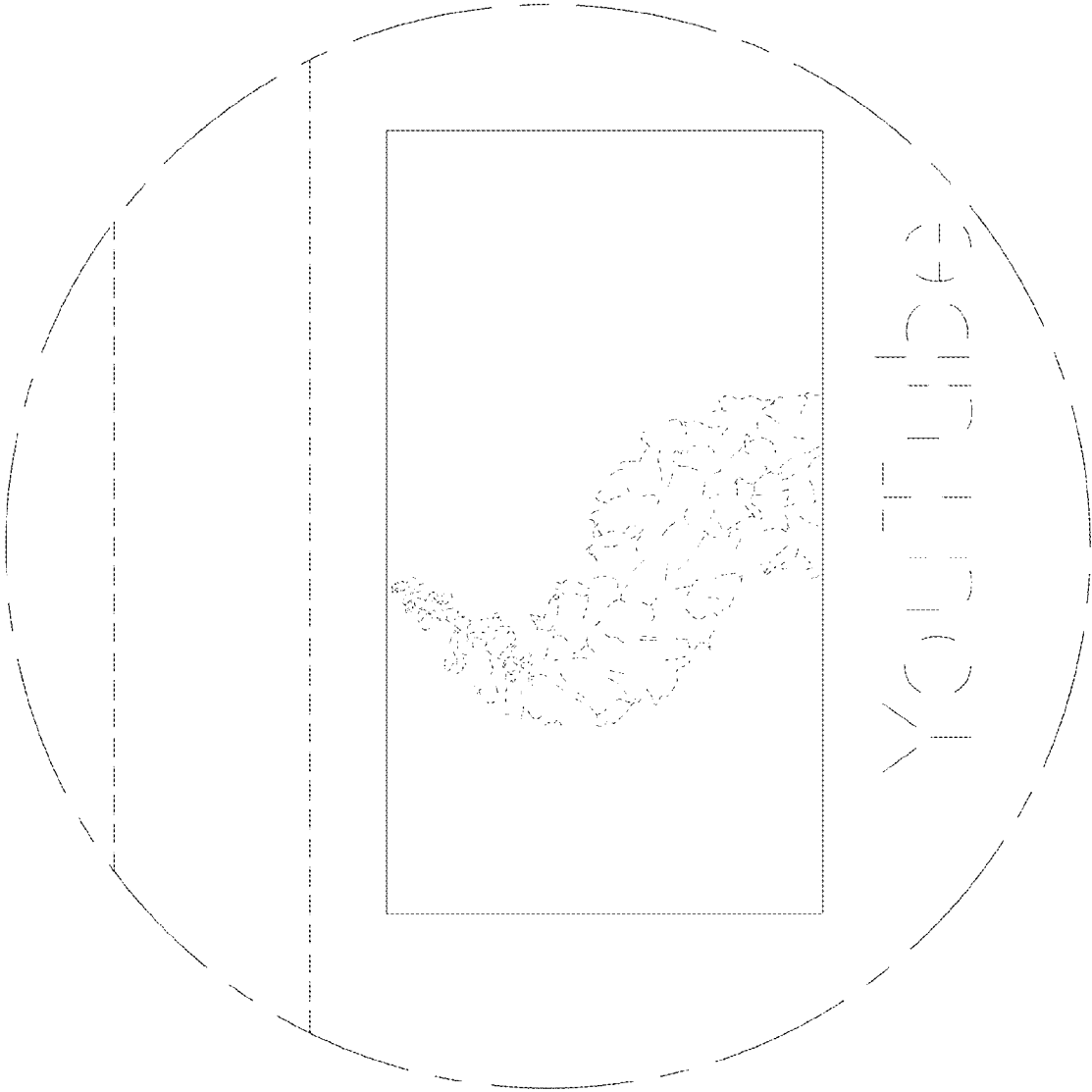


FIG. 12

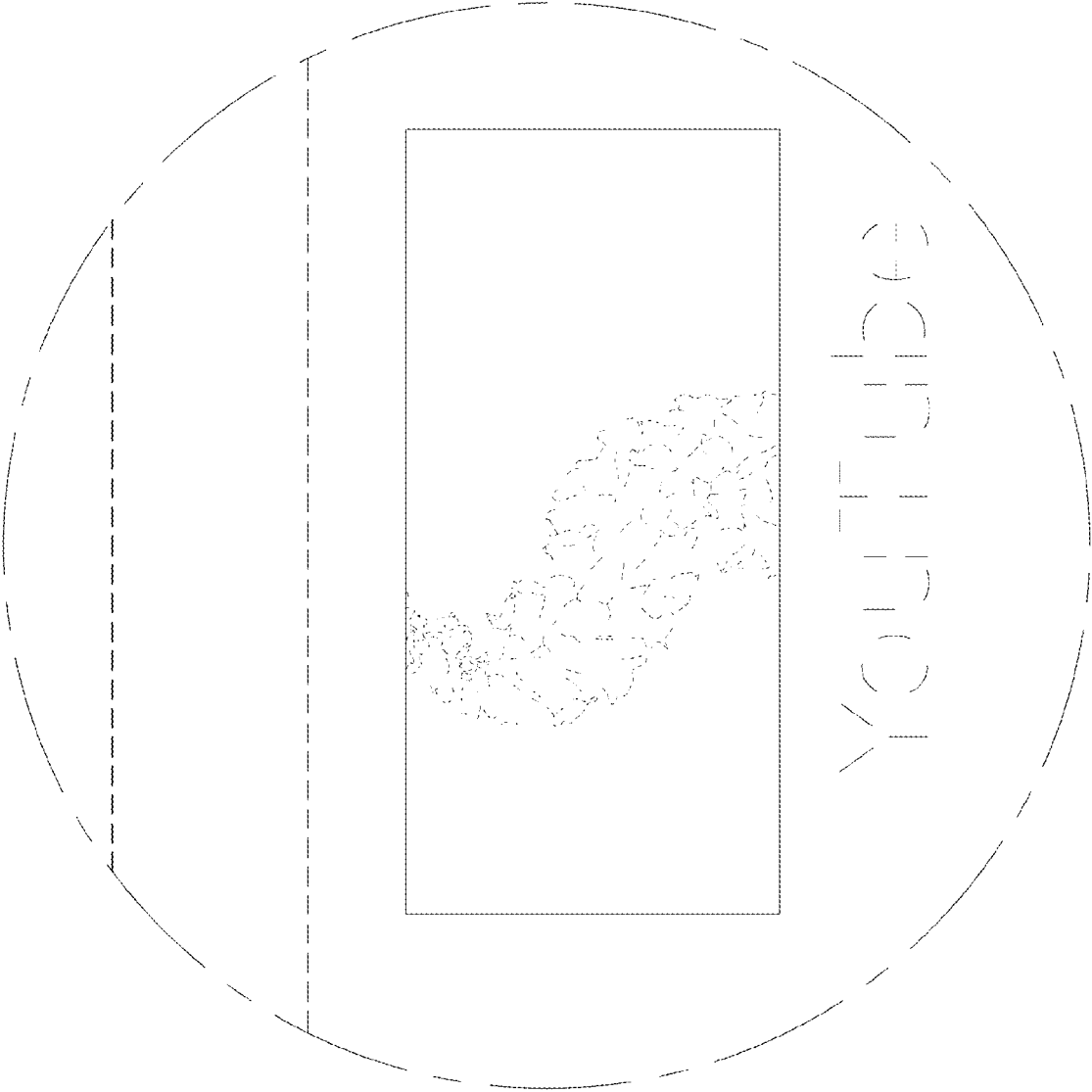


FIG. 13

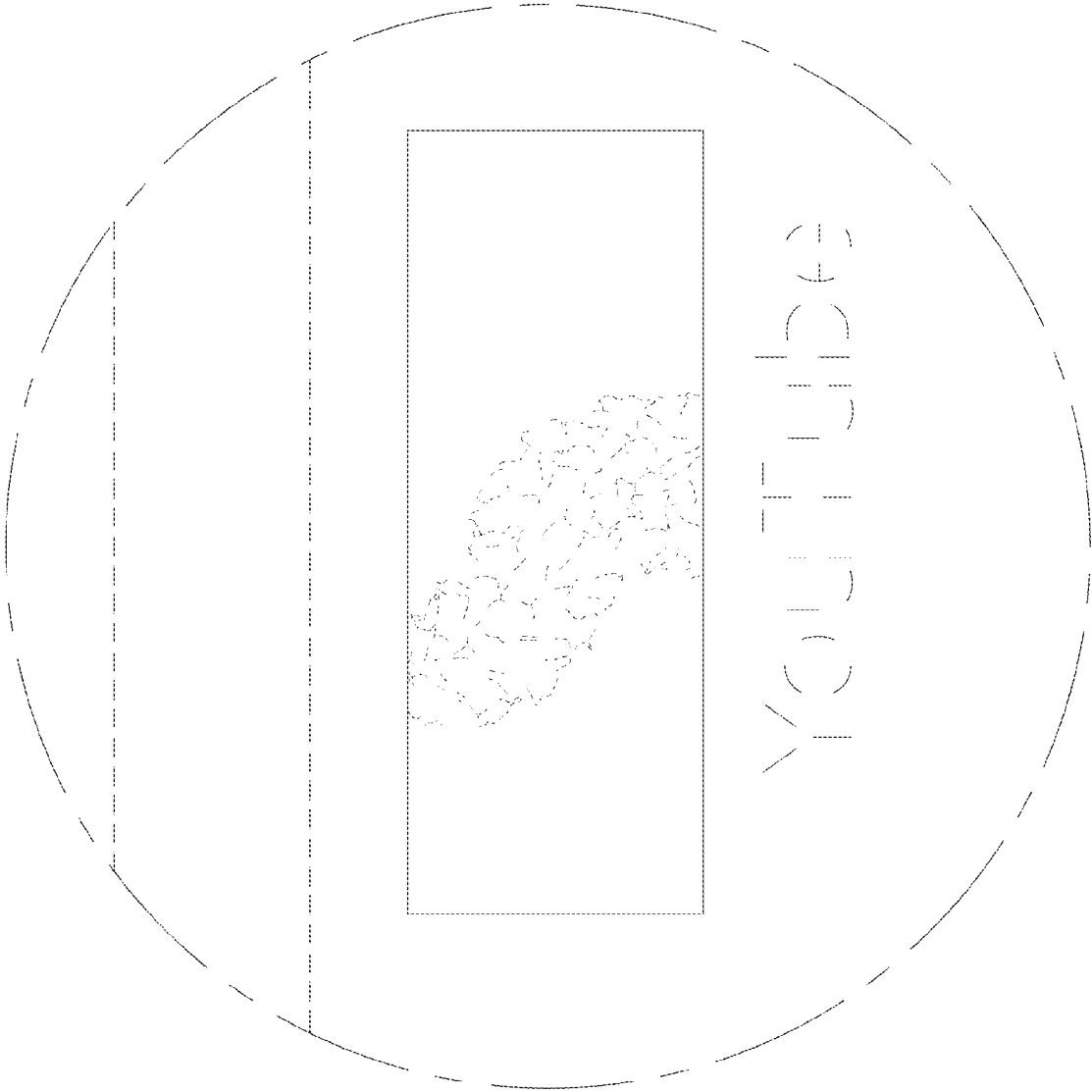


FIG. 14

