



(22) Date de dépôt/Filing Date: 1996/07/09

(41) Mise à la disp. pub./Open to Public Insp.: 1998/01/10

(45) Date de délivrance/Issue Date: 2002/07/30

(51) Cl.Int.<sup>6</sup>/Int.Cl.<sup>6</sup> B65D 6/18, B65D 21/032

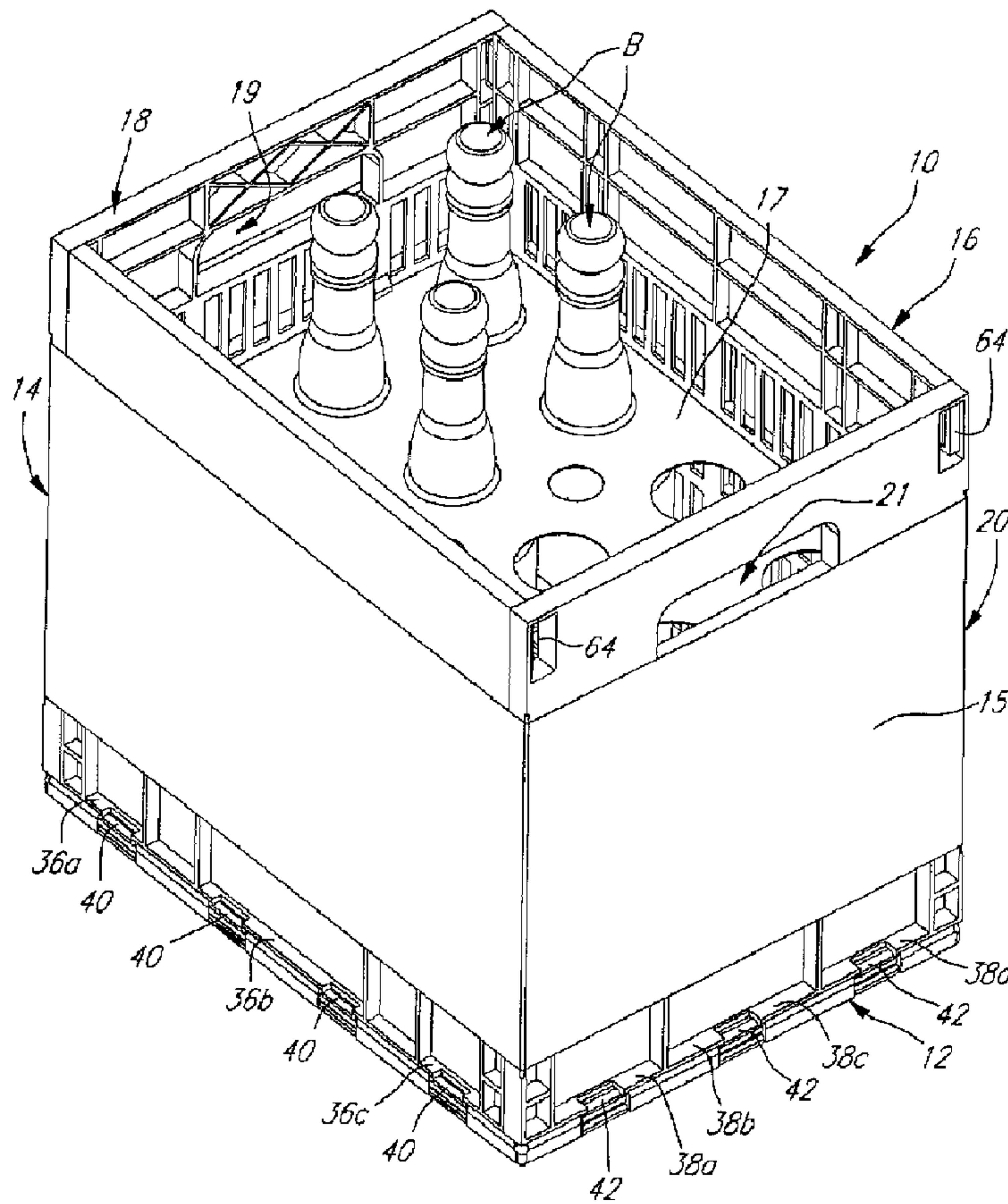
(72) Inventeurs/Inventors:  
JACQUES, Michel, CA;  
NOLET, ROCH, CA

(73) Propriétaire/Owner:  
IPL INC., CA

(74) Agent: GOUDREAU GAGE DUBUC

(54) Titre : CONTENANT EN CINQ PARTIES AVEC COTES ARTICULABLES

(54) Title: FIVE-PIECE CONTAINER WITH HINGEABLE SIDES



(57) Abrégé/Abstract:

A five-piece container for items, such as bottles, comprises a bottom piece, a pair of side pieces of identical height and a pair of end pieces also of identical height; each side edge and each end edge of the bottom piece display a series of planar surfaces



**(57) Abrégé(suite)/Abstract(continued):**

interspaced with a series of recessed areas in which is defined a hinge that engagedly receives a C-shaped extension formed at the lower edge of each side piece and of each end piece so that the side and end pieces may be mounted to the bottom piece through a snap engagement. The end pieces and the side pieces can be moved between an outward foldback position and an erected position; however, an inward folded position cannot be effected due to the configuration of the lower edge of the side pieces and of the end pieces and that of the edges of the bottom piece. The folding configuration is useful for containers that have walls higher than the width of the bottom thus preventing the walls from being folded inside.

**ABSTRACT**

A five-piece container for items, such as bottles, comprises a bottom piece, a pair of side pieces of identical height and a pair of end pieces also of identical height; each side edge and each end edge of the bottom piece display a series of planar surfaces interspaced with a series of recessed areas in which is defined a hinge that engagedly receives a C-shaped extension formed at the lower edge of each side piece and of each end piece so that the side and end pieces may be mounted to the bottom piece through a snap engagement. The end pieces and the side pieces can be moved between an outward foldback position and an erected position; however, an inward folded position cannot be effected due to the configuration of the lower edge of the side pieces and of the end pieces and that of the edges of the bottom piece. The folding configuration is useful for containers that have walls higher than the width of the bottom thus preventing the walls from being folded inside.

**TITLE OF THE INVENTION**

Five-piece container with hingeable sides.

**FIELD OF THE INVENTION**

5 The present invention relates to a plastic container for carrying items, such as bottles, and, more particularly, to a five-piece container consisting of a bottom and of four sides which can be moved between an erected position and an outward foldback position.

**BACKGROUND OF THE INVENTION**

10 Containers for carrying items, such as bottles, are made of injection molded plastics material to replace containers which were previously made from wood or cardboard. Plastic containers can be easily cleaned and washed so that they may be reused frequently. They can also be repaired or recycled.

15 Up until now, plastic containers have included many components (in some cases up to fourteen) some of which are metallic, such as rods acting as hinges for the folding and/or erecting of the sides relative to the bottom. If the containers need to be washed, the metallic components must first be removed in order to prevent them from corroding. Furthermore, such containers are difficult to repair and costly to recycle since the metal  
20 components must again be separated from the plastic parts before recycling the plastic parts.

One plastic container, free of metallic components may be found described in applicant's Canadian patent no. 2,153,141 issued October 6, 1998. However, this container is constructed so that it may be moved between three positions, namely, an inward folded position, an erected position and an outward foldback position. Such a container, as well as the other containers of the prior art, must have walls smaller in height than the width of the bottom so that they may be allowed to be folded inwardly over the bottom wall.

### OBJECTS AND STATEMENT OF THE INVENTION

It is an object of the present invention to overcome the above problems with plastic containers by providing a five-piece plastic container which excludes metallic parts, which enables containers having sides with a height equal or greater than the width of the bottom and which may be cleaned and stacked when in its outward foldback position. Also, the sides and bottom being disengageable from one another, they may be repaired, recycled or replaced when worn.

The present invention therefore provides a five-piece container which comprises:

a bottom piece formed of plastics material, the bottom piece having a pair of opposite side edges and a pair of opposite end edges; the end edges having a given length;

a pair of side pieces of identical height formed of plastics material, each side piece having a lower edge; the height being greater than the length of the end edges of the bottom piece; and

a pair of end pieces of identical height formed of plastics material, each end piece having a lower edge; each side edge and each end edge of the bottom piece displaying a series of planar surfaces, interspaced

by a series of recessed areas, and a horizontally extending integrally formed hinge traversing each recessed area;

each lower edge of the side pieces and of the end pieces displaying a series of flat faces and a series of horizontally spaced extensions, each defining a C-shaped profile, between the faces; the extensions being so disposed along each lower edge as to be received within a corresponding one of the recessed areas for assembly of a side piece to the bottom piece; the profiles being configured to enable snap engagement and disengagement of the extensions with and from the hinges and to allow the side pieces to be moved between an outward foldback position and an erected position; the flat faces of the side pieces and of the end pieces contacting the planar surfaces of the bottom piece in the erected position thereby preventing the side pieces and the end pieces to move inwardly to an inwardly folded position.

In one form of the invention, the side edges and the end edges of the bottom piece have an identical height which is identical to the thickness of the side pieces and of the end pieces so that, in the outward foldback position, the side pieces and the end pieces lie in a plane which includes that of the bottom piece.

In another form of the invention, the bottom wall is so constructed that the containers, in the outward foldback position, may be stacked one onto the other as a result of the bottom wall having complementary shaped top and under sides.

Other objects and further scope of applicability of the present invention will become apparent from the detailed description given hereinafter. It should be understood, however, that this detailed description, while indicating preferred embodiments of the invention, is given by way of

illustration only, since various changes and modifications within the spirit and scope of the invention will become apparent to those skilled in the art.

### **BRIEF DESCRIPTION OF THE DRAWINGS**

5 Figure 1 is a perspective view of a container used for carrying bottles and shown in the side erected position;

Figure 2 is a perspective view of a container showing the sides in an outward foldback position;

Figure 3 is a perspective view similar to that of figure 2 but showing the underside of the container;

10 Figure 4 is a top plan view of the bottom wall;

Figure 5 is a cross-sectional view taken along lines 5-5 of figure 4 and showing two stacked bottom walls;

15 Figure 6 is a perspective view of another embodiment of a bottom piece of a container made in accordance with the present invention; and

Figure 7 is a bottom view showing part of the underside of the bottom piece of figure 6.

### **DESCRIPTION OF PREFERRED EMBODIMENTS**

20 Referring to figures 1 and 2, there is shown a five-piece container, generally denoted 10, made entirely and solely of rigid plastics

material. The container which is used to carry bottles B essentially consists of a bottom piece 12, of opposite side pieces 14 and 16 and of opposite end pieces 18 and 20. Handles 19 and 21 are provided in respective end pieces 18 and 20 to facilitate manual handling of the container. The side pieces and the end pieces are provided with a series of rectangular openings that provide lightness to the container. Figure 1 shows that the outer faces of the side and end pieces may be covered with a cardboard or like sheet 15 for advertisement.

A member 17 serves to retain the bottles in a vertical steady position in the container; the construction and function of member 17 may be found described in applicant's co-pending Canadian application no. 2,180,819 filed July 9, 1996.

The bottom piece 12 is rectangular with a pair of opposite side edges 22 and 24 and a pair of opposite end edges 26 and 28 (see also figure 4). In the embodiment illustrated, the side edges 22 and 24 have a length greater than that of the end edges 26 and 28. Each side edge and each end edge of the bottom piece 12 include a series of horizontally spaced recessed areas identified as 22a, 22b, 22c and 22d for side edge 22, as 24a, 24b, 24c and 24d for side edge 24, as 26a, 26b and 26c for end edge 26, and as 28a, 28b and 28c for end edge 28. Interspaced with all these recessed areas are respective planar surfaces 22', 24', 26' and 28' all extending in a common horizontal plane. Included in each recessed area is a cylindrical hinge 29 which is integrally formed with the edges.

The top side of the bottom piece is recessed with respect to its side edges and end edges and displays a series of raised profiles 32 (six being shown) which serve as abutments for the lower part of bottles resting on the bottom wall 12. Each profile defines a rhomboidal configuration with concave sidewalls displaying a series of small vertical ribs 33 for

reinforcement and for washing purposes. As can be seen in figure 3, the underside of the bottom wall 12 provides a series of recessed areas 34 with convex sidewalls which are complementary in shape to the profiles 32 so that they may nest therein as illustrated in figure 5.

5                   Figure 6 shows another embodiment of a bottom piece 112 made in accordance with the present invention and which may receive side and end pieces such as those illustrated in figures 1-5.

10                   The bottom piece 112 is rectangular with a pair of opposite side edges 122 and 124 and a pair of opposite end edges 126 and 128. In the embodiment illustrated, the side edges 122 and 124 have a length greater than that of the end edges 126 and 128. Each side edge and each end edge of the bottom piece 112 include a series of horizontally spaced recessed areas identified as 122a, 122b, 122c and 122d for side edge 122, as 124a, 124b, 124c and 124d for side edge 124, as 126a, 126b and 126c for end edge 126, and as 128a, 128b and 128c for end edge 128. Interspaced with all these recessed areas are respective planar surfaces 122', 124', 126' and 128' all extending in a common horizontal plane. Included in each recessed area is a cylindrical hinge 129 which is integrally formed with the edges.

20                   The top side of the bottom piece is recessed with respect to its side edges and end edges and displays a plurality of openings 130 that lighten the container and facilitate washing. The top side also displays a series of raised profiles 132 (six being shown) which serve as abutments for the lower part of bottles resting on the bottom 112. Each profile defines an X-shaped configuration with four sidewalls consisting of vertical ribs. As can be seen in figure 7, the underside 133 of the bottom wall 112 includes a series of recessed areas 134 which are complementary in shape to the profiles 132 so that they may nest therein.

25

Referring to figure 2, the lower edge of each side piece 14, 16 and of each end piece 18, 20 are identically shaped. A detailed description of every lower edge will not be given since the lower edges of both side pieces and both end pieces all have the same structural configuration.

5 Referring to figure 1, a side piece comprises, along the lower edge thereof, a series of planar faces 36a, 36b and 36c while an end piece 20 has a series of flat faces 38a, 38b, 38c and 38d. Interspaced with these flat surface are C-shaped extensions 40, 42 which are adapted to engage the cylindrical hinges 29 (or 129) of the bottom piece. A detailed description  
10 of this C-shaped profile of an extension that engages a cylindrical hinge may be found described in applicant's Canadian patent no. 2,153,141 issued October 6, 1998.

As can be seen in figure 1, when the sides 14, 16, 18 and 20 are hingedly pivoted to an erected vertical position, the flat surfaces 40 and  
15 42 of the sides will rest upon the corresponding flat surfaces 22', 24', 26' and 28' (or 122', 124', 126' and 128') of the bottom piece, thus maintaining the sides in vertical position and preventing their inward folding. This is particularly useful when the height of the sides is greater than the width of the bottom piece such as when the height of the side pieces 14 and 16 is  
20 greater than the length of the opposite end edges 26 and 28 (126 and 128) of the bottom piece.

Since the container is made of plastics material that has some resiliency, the engagement of the C-shaped profile onto the hinges is effected through a snap-in motion; similarly, a snap-out disengagement is  
25 required in order to remove the side pieces, or end pieces, from the bottom piece. The particular connection achieved by the C-shaped extension to the hinges allows the side pieces to move from an outward foldback position to an erected position, or vice-versa.

In order to secure the side pieces and end pieces in the erected position, each has, on its opposite lateral edges, interengaging means which cooperate with complementary interengaging means on the lateral edges of adjacent side pieces. Referring to figure 2, one example of such interengaging means may consist of a flange 62 and a U-shaped extension 64, both of which are integrally formed with the side piece, while another interengaging means may consist of a longitudinal slot 66 and of a flexible tongue 68. The flanges 62 are received in corresponding slots 66 while the tongues 68 are flexed for subsequent connection with the U-shaped extensions 64.

The construction of the present invention is extremely useful when it is wished to return the containers for either bottle reloading, repairing or washing. For each case, the four sides are disconnected from one another and moved outwardly to lie in a horizontal plane, common with that of the bottom piece. During transport, the particular construction of the bottom piece enables containers of similar construction to be stacked in their outward foldback position with profiles 32 nestingly received in recesses 34 of superposed containers. For repairing, the damaged pieces may be disconnected from the others by snapping them out from their C-shaped and hinge connections. Thereafter, they are reconnected through a simple snap-in engagement. It is to be noted that the container may be washed with the four side pieces in a vertical position, assembled to one another and to the bottom piece.

Although the invention has been described above with respect with one specific form, it will be evident to a person skilled in the art that it may be modified and refined in various ways. It is therefore wished to have it understood that the present invention should not be limited in scope, except by the terms of the following claims.

The embodiments of the invention in which an exclusive property or privilege is claimed are defined as follows:

1. A five-piece container for carrying items, such as bottles, comprising:

a bottom piece formed of plastics material, said bottom piece having a pair of opposite side edges and a pair of opposite end edges; said end edges having a given length;

a pair of side pieces of identical height formed of plastics material, each side piece having a lower edge; said height being greater than said length of said end edges of said bottom piece; and

a pair of end pieces of identical height formed of plastics material, each end piece having a lower edge; each said side edge and each said end edge of said bottom piece displaying a series of planar surfaces, interspaced by a series of recessed areas, and a horizontally extending integrally formed hinge traversing each said recessed area; each said lower edge of said side pieces and of said end pieces displaying a series of flat faces and a series of horizontally spaced extensions, each defining a C-shaped profile, between said faces; said extensions being so disposed along each said lower edge as to be received within a corresponding one of said recessed areas for assembly of a side piece to said bottom piece; said profiles being configured to enable snap engagement and disengagement of said extensions with and from said hinges and to allow said side pieces to be moved between an outward foldback position and an erected position; said flat faces of said side pieces and of said end pieces contacting said planar surfaces of said bottom piece in said erected position thereby preventing said side pieces and said end pieces to move inwardly to an inwardly folded position.

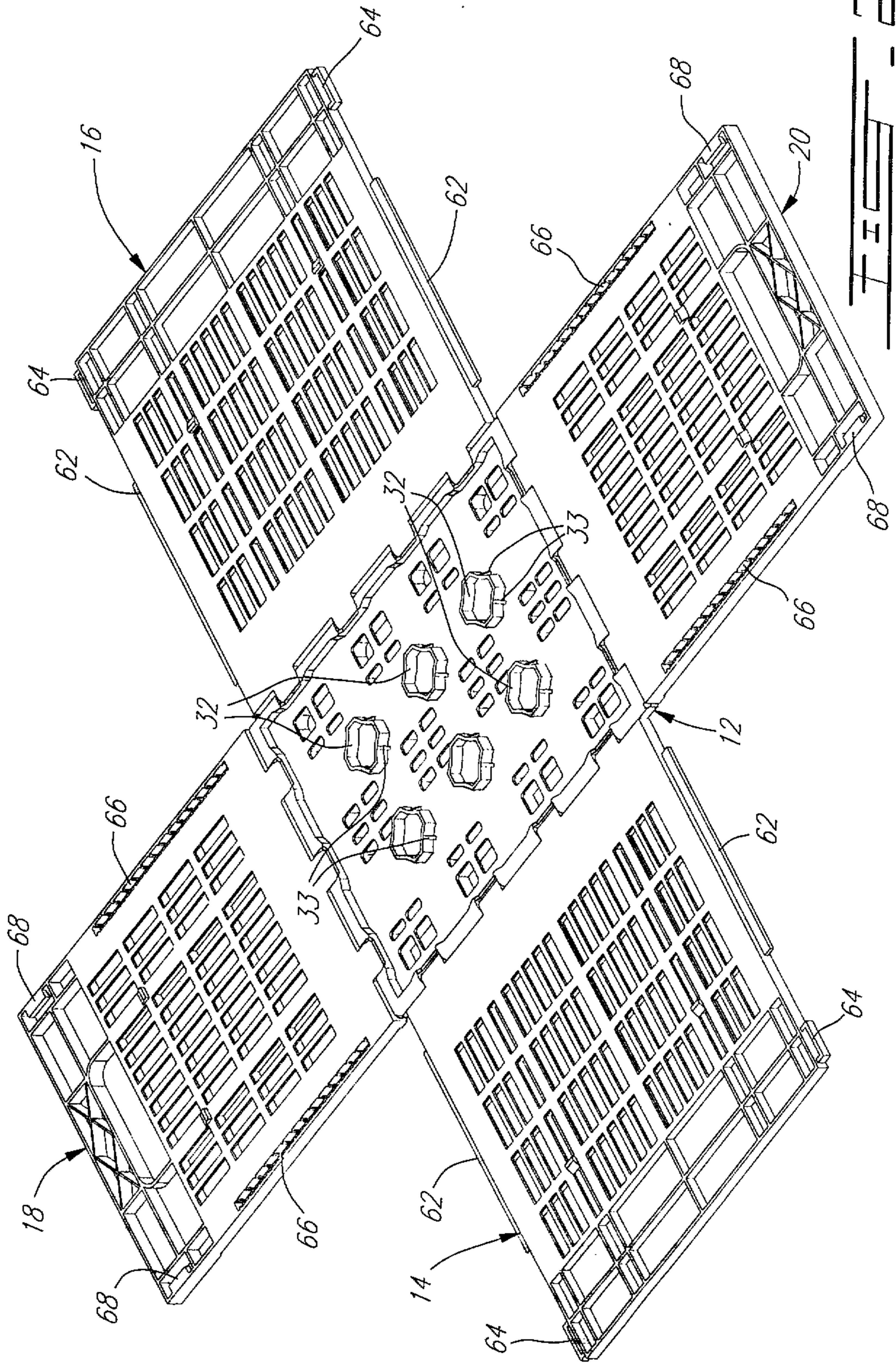
2. A five-piece container as defined in claim 1, wherein said side edges and said end edges of said bottom piece have identical height which is identical to the thickness of said side pieces and of said end pieces whereby, in said outward foldback position, said side pieces and said end pieces lie a plane including that of said bottom piece.
3. A five-piece container as defined in claim 2, wherein said bottom piece has a top inner surface which is recessed with respect to said side edges and said end edges.
4. A five-piece container as defined in claim 1, wherein each said side piece and said end piece include opposite lateral edges; said lateral edges of adjacent side and end pieces having complementary engaging means allowing said side pieces and said end pieces to be connected to one another in said erected position.
5. A five-piece container as defined in claim 4, wherein said engaging means consist of flanges and flange receiving recesses and of flexible tongues and tongue engaging members.
6. A five-piece container as defined in claim 3, wherein said bottom piece displays, on said top inner surface thereof, a series of raised profiles and, on an under surface thereof, a series of recessed areas in vertical complementary alignment with said series of profiles whereby a plurality of similarly constructed containers may be vertically nested in their outward foldback position with said raised profiles of a container being received in corresponding recessed areas of a superposed container.

7. A five-piece container as defined in claim 6, wherein said raised profiles each have a rhomboidal configuration consisting of four concave sidewalls.

8. A five-piece container as defined in claim 6, wherein said raised profiles each have an X-shaped configuration.



2180811



*Andreas Jozef Dubuc & Martinus Wolken*

2180811

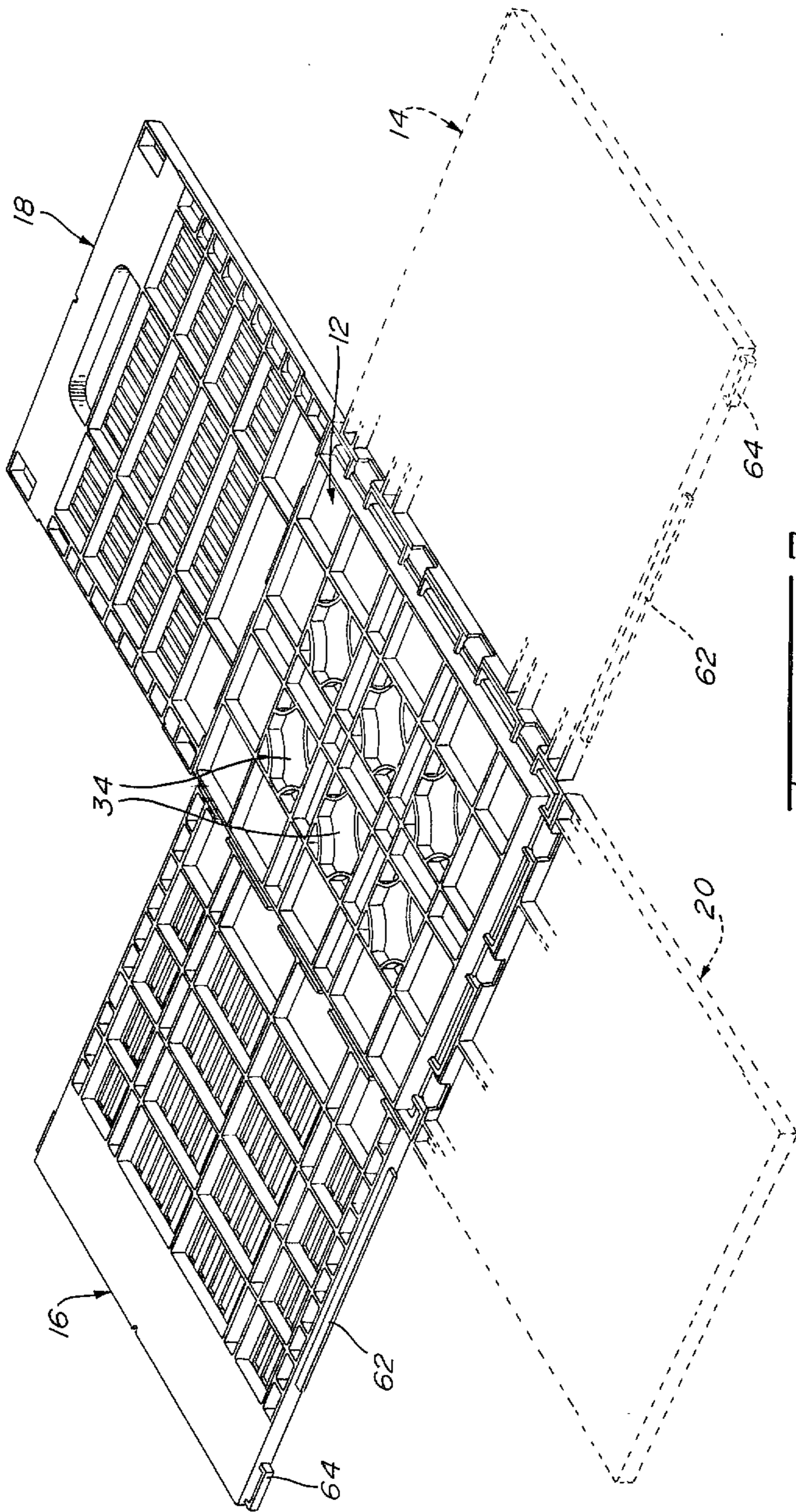
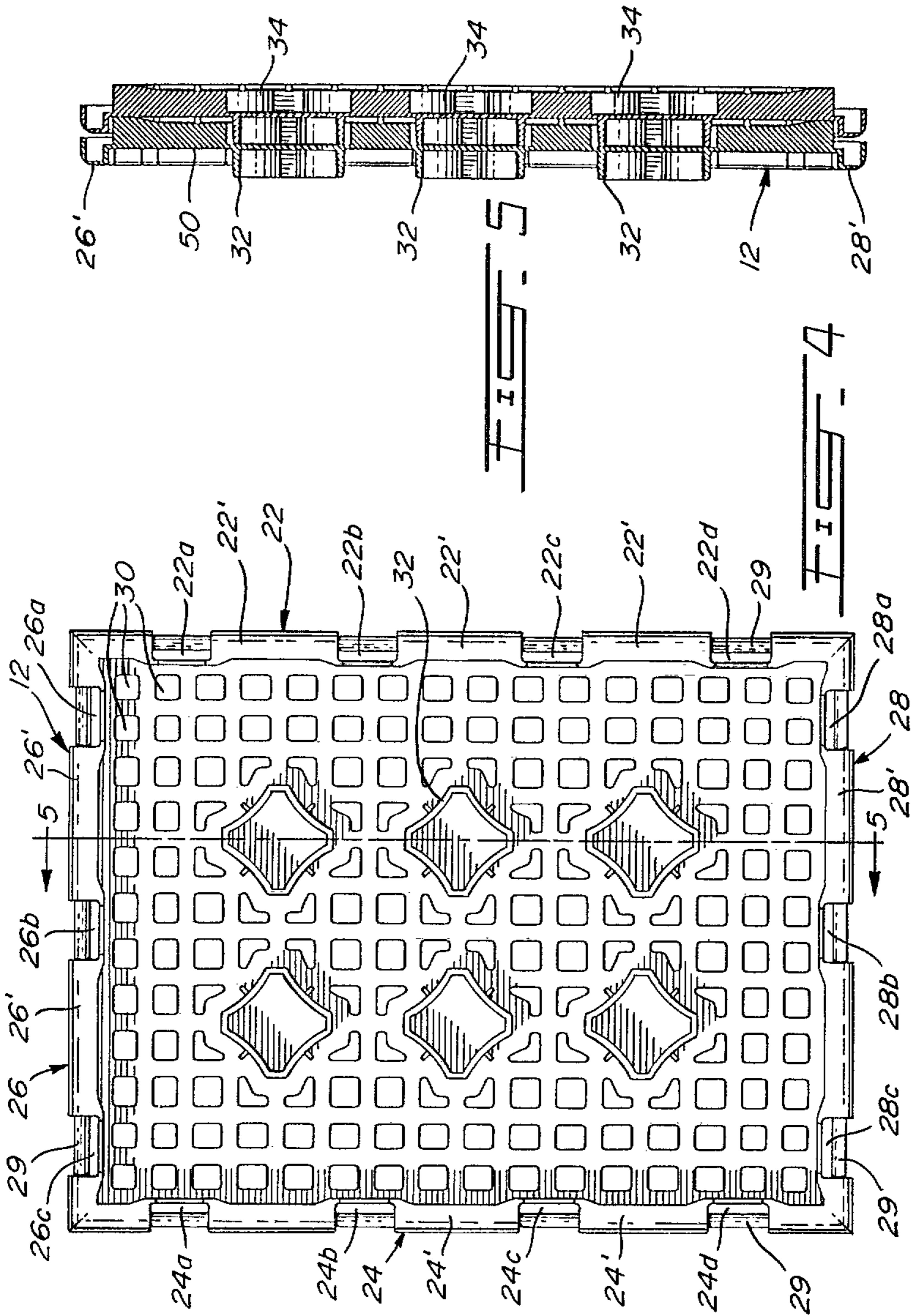
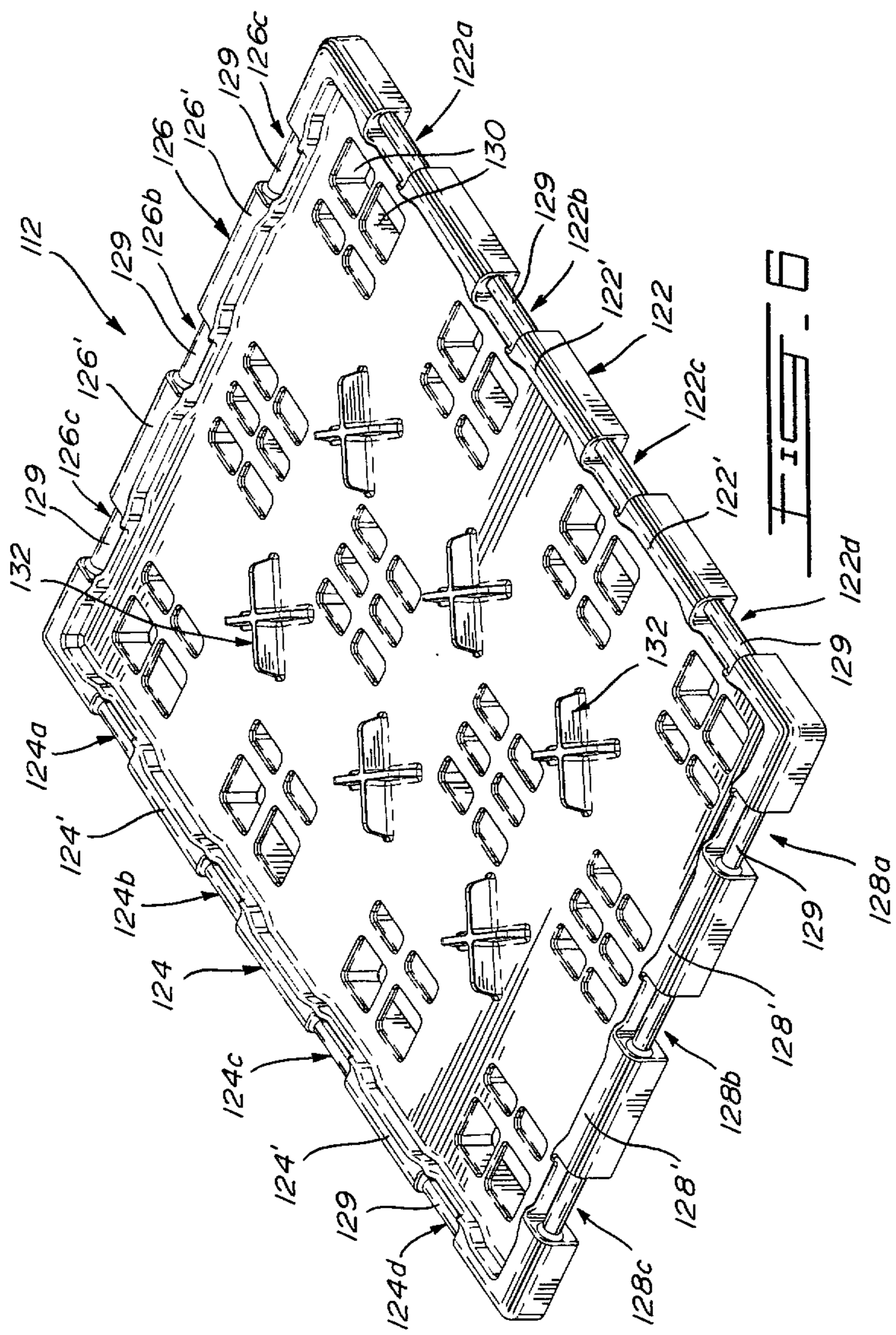


FIG. 3

Andreas Jørg Dubuc & Morten Walker



Andreas Jozef Dubuc & Martinus Wolken



*Andreas Jørg Dubuc & Morten Walker*

2180811

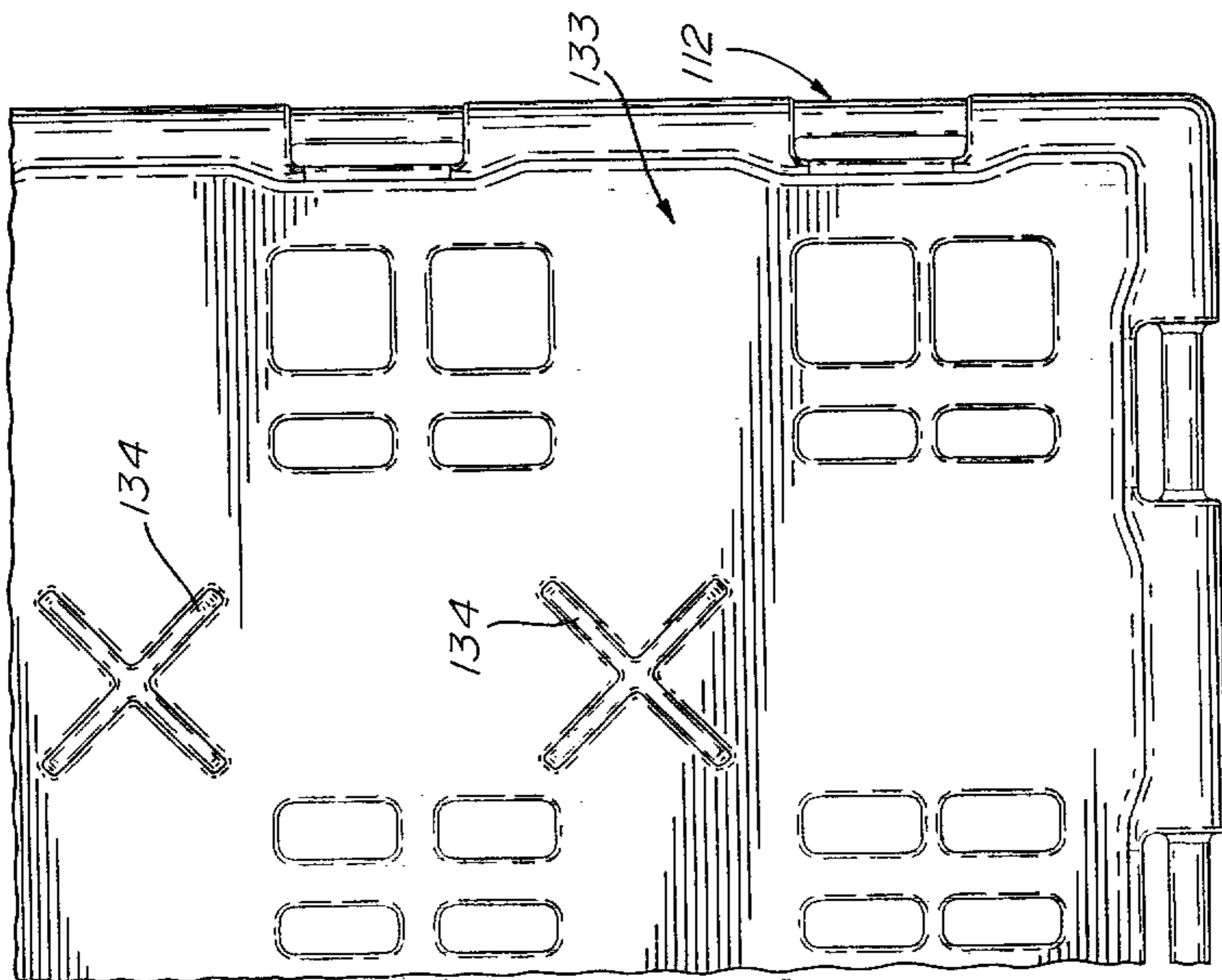


FIG. 7

*Andreas Joz Dubuc + Martinus Wolter*

