

(19) World Intellectual Property
Organization
International Bureau



(43) International Publication Date
28 April 2005 (28.04.2005)

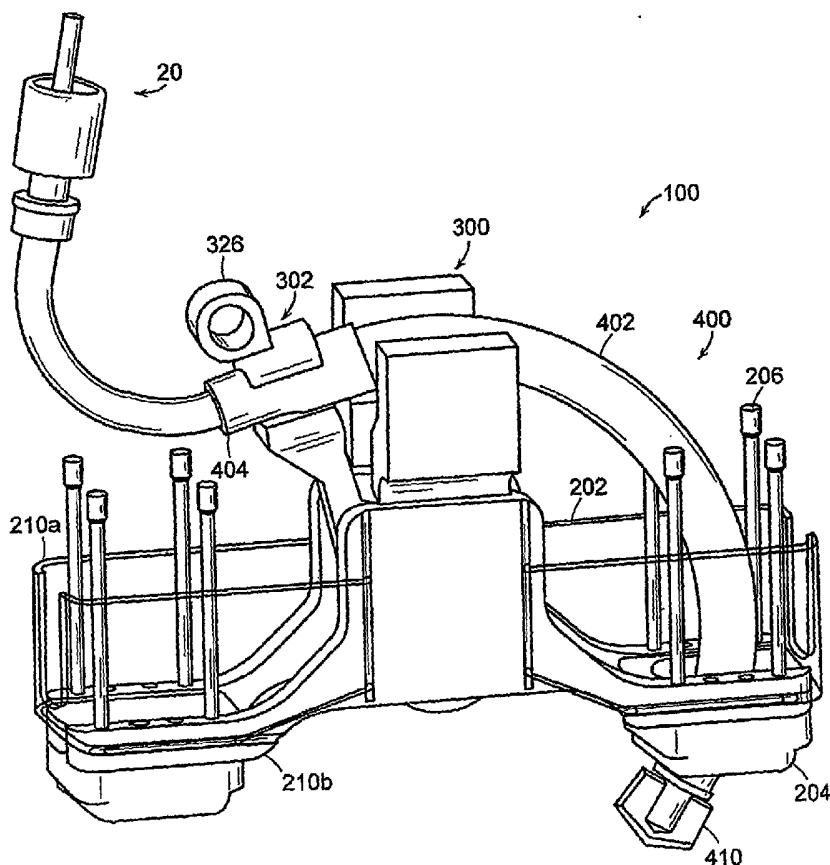
PCT

(10) International Publication Number
WO 2005/037082 A3

- (51) International Patent Classification⁷: **A61B 17/00**, 17/58, A61F 2/44
- (71) Applicants and (72) Inventors: **WINKLER, Josef, K.** [US/US]; 1733 Dauphin Avenue, Wyomissing, PA 19610 (US). **BEISEL, Robert, Floyd** [US/US]; 150 South Mountain Road, Robeson, PA 19551 (US). **RAYMOND, Spanky, Allen** [US/US]; 2513 Greenview Drive, Uniontown, OH 44685 (US). **SAVAGE, Daniel, Stephen** [US/US]; 7000 Mill Road, Brecksville, OH 44141 (US). **GROMEK, Jason, John** [US/US]; 8547 Camelot Drive, Chesterland, OH 44026 (US). **NILSSON, Carl, Michael** [US/US]; 1140 Quilliams Road, Cleveland Heights, OH 44121 (US). **CARL, Allen** [US/US]; 308 Highgate Drive, Slingerlands, NY 12159 (US).
- (21) International Application Number: PCT/US2004/034526
- (22) International Filing Date: 18 October 2004 (18.10.2004)
- (25) Filing Language: English
- (26) Publication Language: English
- (30) Priority Data: 60/512,134 17 October 2003 (17.10.2003) US
- (74) Agents: **DALEY, William, J.** et al.; Edwards & Angell, LLP, P.O. Box 55874, Boston, MA 02205 (US).
- (71) Applicant: **HIGHGATE ORTHORPEDICS, INC.** [US/US]; 2330 Washington Street, Newton, MA 02462 (US).
- (81) Designated States (*unless otherwise indicated, for every kind of national protection available*): AE, AG, AL, AM, AT, AU, AZ, BA, BB, BG, BR, BW, BY, BZ, CA, CH, CN,

[Continued on next page]

(54) Title: SYSTEMS, DEVICES AND APPARATUSES FOR BONY FIXATION AND DISK REPAIR AND REPLACEMENT AND METHODS RELATED THERETO



(57) Abstract: The present invention features new methods, apparatuses and devices for fixing adjacent bone segments, segments of a bony structure and adjacent vertebrae of a spine. The methods, apparatuses and devices utilize a new apparatus for forming a channel in a surface of the bone or bony structure segments or adjacent vertebra or a channel submerged within the bone or bony structure segments or adjacent vertebra. In more particular embodiments such apparatuses and methods including forming an arcuate channel and which channel can receive therein a curved rod or implant member, which also preferably is arcuate, and avoids the associated problems with prior cage or straight rod and screw systems. Also featured are systems, apparatuses and methods for repairing, replacing or augmenting the nucleus and/or annulus of a disc.

WO 2005/037082 A3



CO, CR, CU, CZ, DE, DK, DM, DZ, EC, EE, EG, ES, FI, GB, GD, GE, GH, GM, HR, HU, ID, IL, IN, IS, JP, KE, KG, KP, KR, KZ, LC, LK, LR, LS, LT, LU, LV, MA, MD, MG, MK, MN, MW, MX, MZ, NA, NI, NO, NZ, OM, PG, PH, PL, PT, RO, RU, SC, SD, SE, SG, SK, SL, SY, TJ, TM, TN, TR, TT, TZ, UA, UG, US, UZ, VC, VN, YU, ZA, ZM, ZW.

SK, TR), OAPI (BF, BJ, CF, CG, CI, CM, GA, GN, GQ, GW, ML, MR, NE, SN, TD, TG).

Published:

- *with international search report*
- *before the expiration of the time limit for amending the claims and to be republished in the event of receipt of amendments*

(84) Designated States (*unless otherwise indicated, for every kind of regional protection available*): ARIPO (BW, GH, GM, KE, LS, MW, MZ, NA, SD, SL, SZ, TZ, UG, ZM, ZW), Eurasian (AM, AZ, BY, KG, KZ, MD, RU, TJ, TM), European (AT, BE, BG, CH, CY, CZ, DE, DK, EE, ES, FI, FR, GB, GR, HU, IE, IT, LU, MC, NL, PL, PT, RO, SE, SI,

(88) Date of publication of the international search report:
23 June 2005

For two-letter codes and other abbreviations, refer to the "Guidance Notes on Codes and Abbreviations" appearing at the beginning of each regular issue of the PCT Gazette.

INTERNATIONAL SEARCH REPORT

International application No.

PCT/US04/34526

A. CLASSIFICATION OF SUBJECT MATTER

IPC(7) : A61B 17/00, 17/58; A61F 2/44
 US CL : 606/79, 80, 90, 96, 99; 623/17.11, 17.12

According to International Patent Classification (IPC) or to both national classification and IPC

B. FIELDS SEARCHED

Minimum documentation searched (classification system followed by classification symbols)
 U.S. : 606/79, 80, 90, 96, 99; 623/17.11, 17.12

Documentation searched other than minimum documentation to the extent that such documents are included in the fields searched

Electronic data base consulted during the international search (name of data base and, where practicable, search terms used)

C. DOCUMENTS CONSIDERED TO BE RELEVANT

Category *	Citation of document, with indication, where appropriate, of the relevant passages	Relevant to claim No.
X	US 6,575,979 B1 (CRAGG) 10 June 2003 (10.06.2003), see whole document.	1-46
X	US 6,558,390 B2 (CRAGG) 06 May 2003 (06.05.2003), see whole document .	47-64

Further documents are listed in the continuation of Box C. See patent family annex.

* Special categories of cited documents:	
"A" document defining the general state of the art which is not considered to be of particular relevance	"T" later document published after the international filing date or priority date and not in conflict with the application but cited to understand the principle or theory underlying the invention
"E" earlier application or patent published on or after the international filing date	"X" document of particular relevance; the claimed invention cannot be considered novel or cannot be considered to involve an inventive step when the document is taken alone
"L" document which may throw doubts on priority claim(s) or which is cited to establish the publication date of another citation or other special reason (as specified)	"Y" document of particular relevance; the claimed invention cannot be considered to involve an inventive step when the document is combined with one or more other such documents, such combination being obvious to a person skilled in the art
"O" document referring to an oral disclosure, use, exhibition or other means	"&" document member of the same patent family
"P" document published prior to the international filing date but later than the priority date claimed	

Date of the actual completion of the international search 21 March 2005 (21.03.2005)	Date of mailing of the international search report 20 APR 2005
Name and mailing address of the ISA/US Mail Stop PCT, Attn: ISA/US Commissioner for Patents P.O. Box 1450 Alexandria, Virginia 22313-1450 Facsimile No. (703) 305-3230	Authorized officer Kevin Shaver <i>Sharon A. Greene for</i> Telephone No. 571-272-4720