

(19) World Intellectual Property Organization
International Bureau



(43) International Publication Date
10 April 2008 (10.04.2008)

PCT

(10) International Publication Number
WO 2008/043016 A3

(51) International Patent Classification:
A61M 31/00 (2006.01)

[US/US]; 7869 South 1960 East, South Weber, UT 84405 (US).

(21) International Application Number:
PCT/US2007/080444

(74) Agent: METCALF, Craig; Metcalf Intellectual Property Law, LLC, 2795 East Cottonwood Parkway, Suite 155, Salt Lake City, UT 84121 (US).

(22) International Filing Date: 4 October 2007 (04.10.2007)

(25) Filing Language: English

(26) Publication Language: English

(30) Priority Data:
60/828,357 5 October 2006 (05.10.2006) US
11/863,089 27 September 2007 (27.09.2007) US

(81) Designated States (unless otherwise indicated, for every kind of national protection available): AE, AG, AL, AM, AT, AU, AZ, BA, BB, BG, BH, BR, BW, BY, BZ, CA, CH, CN, CO, CR, CU, CZ, DE, DK, DM, DO, DZ, EC, EE, EG, ES, FI, GB, GD, GE, GH, GM, GT, HN, HR, HU, ID, IL, IN, IS, JP, KE, KG, KM, KN, KP, KR, KZ, LA, LC, LK, LR, LS, LT, LU, LY, MA, MD, ME, MG, MK, MN, MW, MX, MY, MZ, NA, NG, NI, NO, NZ, OM, PG, PH, PL, PT, RO, RS, RU, SC, SD, SE, SG, SK, SL, SM, SV, SY, TJ, TM, TN, TR, TT, TZ, UA, UG, US, UZ, VC, VN, ZA, ZM, ZW.

(71) Applicant (for all designated States except US): BECTON, DICKINSON AND COMPANY [US/US]; 1 Becton Drive, Franklin Lakes, NJ 07417 (US).

(72) Inventor; and

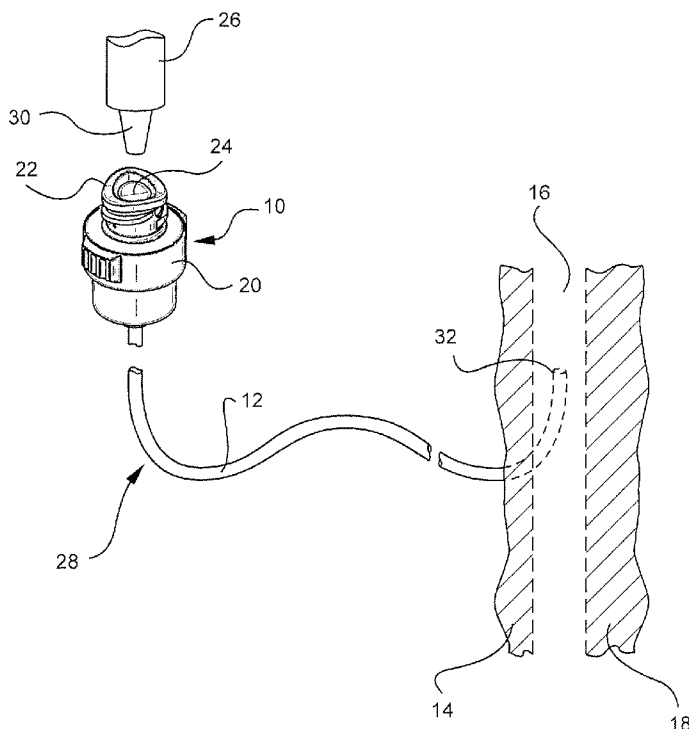
(75) Inventor/Applicant (for US only): STOUT, Marty, L.

(84) Designated States (unless otherwise indicated, for every kind of regional protection available): ARIPO (BW, GH, GM, KE, LS, MW, MZ, NA, SD, SL, SZ, TZ, UG, ZM,

[Continued on next page]

(54) Title: VASCULAR ACCESS DEVICES INCLUDING A TEAR-RESISTANT SEPTUM

FIG. 1



(57) Abstract: A vascular access device may include a body, a septum at least partially disposed within the body, and/or a protective material adapted to resist tearing of the septum. A method of manufacturing a vascular access device may include disposing at least a part of a septum within a body and disposing a protective material in communication with the septum.

WO 2008/043016 A3



ZW), Eurasian (AM, AZ, BY, KG, KZ, MD, RU, TJ, TM),
European (AT, BE, BG, CH, CY, CZ, DE, DK, EE, ES, FI,
FR, GB, GR, HU, IE, IS, IT, LT, LU, LV, MC, MT, NL, PL,
PT, RO, SE, SI, SK, TR), OAPI (BF, BJ, CF, CG, CI, CM,
GA, GN, GQ, GW, ML, MR, NE, SN, TD, TG).

Published:

— *with international search report*

(88) Date of publication of the international search report:
9 October 2008

INTERNATIONAL SEARCH REPORT

International application No.
PCT/US2007/080444

A. CLASSIFICATION OF SUBJECT MATTER

IPC(8) - A61M 31/00 (2008.01)
USPC - 604/288.04
According to International Patent Classification (IPC) or to both national classification and IPC

B. FIELDS SEARCHED

Minimum documentation searched (classification system followed by classification symbols)
IPC(8) - A61M 31/00 (2008.01)
USPC - 604/288.04

Documentation searched other than minimum documentation to the extent that such documents are included in the fields searched

Electronic data base consulted during the international search (name of data base and, where practicable, search terms used)

PatBase

C. DOCUMENTS CONSIDERED TO BE RELEVANT

Category*	Citation of document, with indication, where appropriate, of the relevant passages	Relevant to claim No.
X	US 6,050,978 A (ORR et al) 18 April 2000 (18.04.2000) entire document	1, 3, 8-9, 15, 20
Y		2, 4-7, 10-14, 16-19
Y	US 2005/0209553 A1 (LANDAU) 22 September 2005 (22.09.2005) entire document	2, 4-7
Y	US 5,509,912 A (VAILLANCOURT et al) 23 April 1996 (23.04.1996) entire document	5-6, 10-14, 17
Y	US 2004/0049162 A1 (FISHER) 11 March 2004 (11.03.2004) entire document	7
Y	US 5,520,666 A (CHOUDHURY et al) 28 May 1996 (28.05.1996) entire document	11-14
Y	US 2003/0181878 A1 (TALLARIDA et al) 28 September 2003 (28.09.2003) entire document	16, 18-19

Further documents are listed in the continuation of Box C.

* Special categories of cited documents:

"A" document defining the general state of the art which is not considered to be of particular relevance	"T" later document published after the international filing date or priority date and not in conflict with the application but cited to understand the principle or theory underlying the invention
"E" earlier application or patent but published on or after the international filing date	"X" document of particular relevance; the claimed invention cannot be considered novel or cannot be considered to involve an inventive step when the document is taken alone
"L" document which may throw doubts on priority claim(s) or which is cited to establish the publication date of another citation or other special reason (as specified)	"Y" document of particular relevance; the claimed invention cannot be considered to involve an inventive step when the document is combined with one or more other such documents, such combination being obvious to a person skilled in the art
"O" document referring to an oral disclosure, use, exhibition or other means	"&" document member of the same patent family
"P" document published prior to the international filing date but later than the priority date claimed	

Date of the actual completion of the international search 18 January 2008	Date of mailing of the international search report 10 APR 2008
--	--

Name and mailing address of the ISA/US Mail Stop PCT, Attn: ISA/US, Commissioner for Patents P.O. Box 1450, Alexandria, Virginia 22313-1450 Facsimile No. 571-273-3201	Authorized officer: Blaine R. Copenheaver PCT Helpdesk: 571-272-4300 PCT OSP: 571-272-7774
---	---