



US00D377753S

United States Patent [19]
Meadows

[11] **Patent Number:** **Des. 377,753**
[45] **Date of Patent:** ****Feb. 4, 1997**

[54] **PAINT CAN CADDY**

D. 353,242 12/1994 McCoy, Sr. et al. D8/373 X
D. 354,430 1/1995 Lawrence et al. D8/373

[76] Inventor: **Robert S. Meadows**, 2410 Massey Rd.,
DeRidder, La. 70634

Primary Examiner—Doris V. Coles
Assistant Examiner—Catherine R. Oliver
Attorney, Agent, or Firm—John M. Harrison

[**] Term: **14 Years**

[57] **CLAIM**

[21] Appl. No.: **53,132**

The ornamental design for a paint can caddy, as shown and described.

[22] Filed: **Apr. 15, 1996**

[52] U.S. Cl. **D8/373**

[58] **Field of Search** D3/229, 228, 215;
D9/434; 224/148, 197, 224, 226, 247, 250,
251, 253, 268, 904; D8/370, 373; 248/302

DESCRIPTION

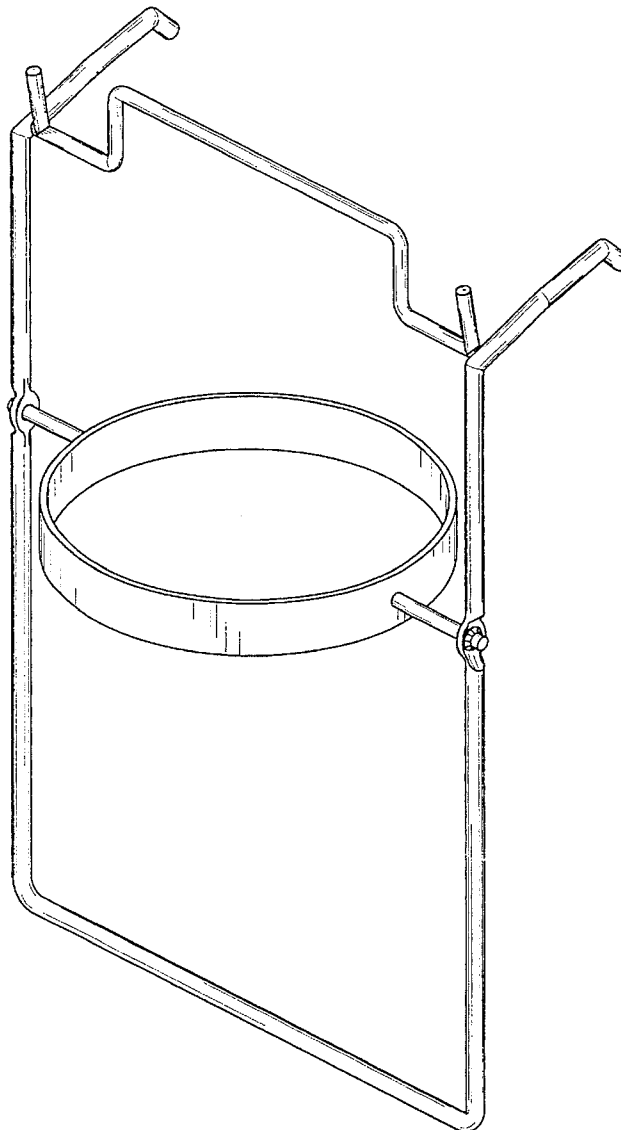
FIG. 1 is a perspective view of the paint can caddy, showing my new design;
FIG. 2 is a right side elevation view, with the left side being a mirror image thereof;
FIG. 3 is a front elevation view thereof; and,
FIG. 4 is a top elevation of the paint can caddy illustrated in FIGS. 1-3.

[56] **References Cited**

U.S. PATENT DOCUMENTS

D. 296,268 6/1988 Bozarth D6/513 X
D. 306,507 3/1990 Lund D8/373 X
D. 306,521 3/1990 Kenney D3/215
D. 313,742 1/1991 Ruff D8/373

1 Claim, 2 Drawing Sheets



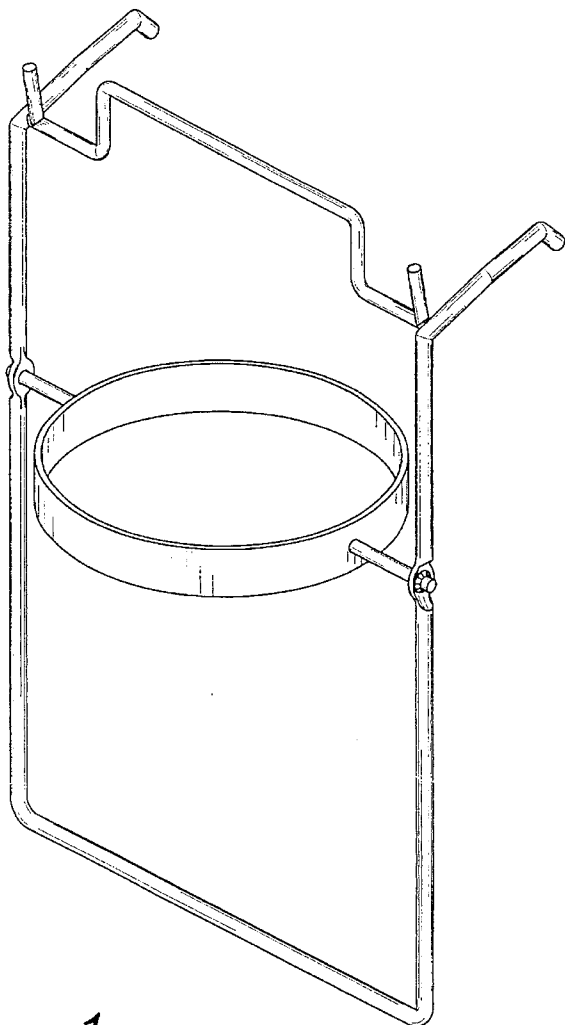


Fig. 1

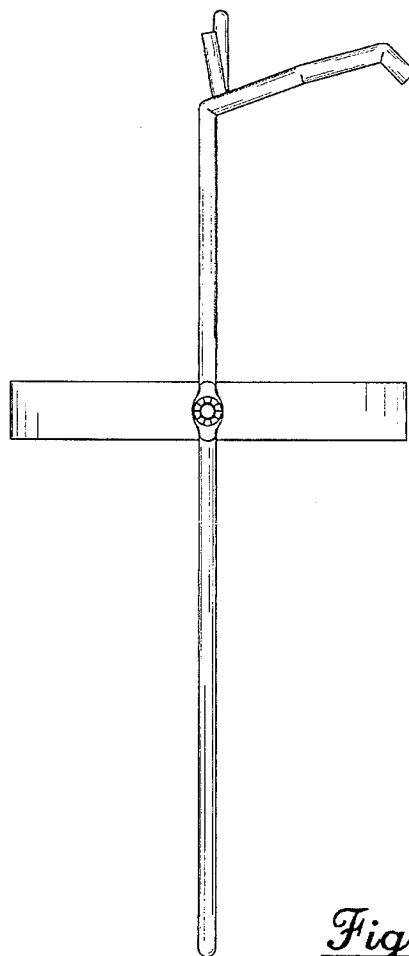


Fig. 2

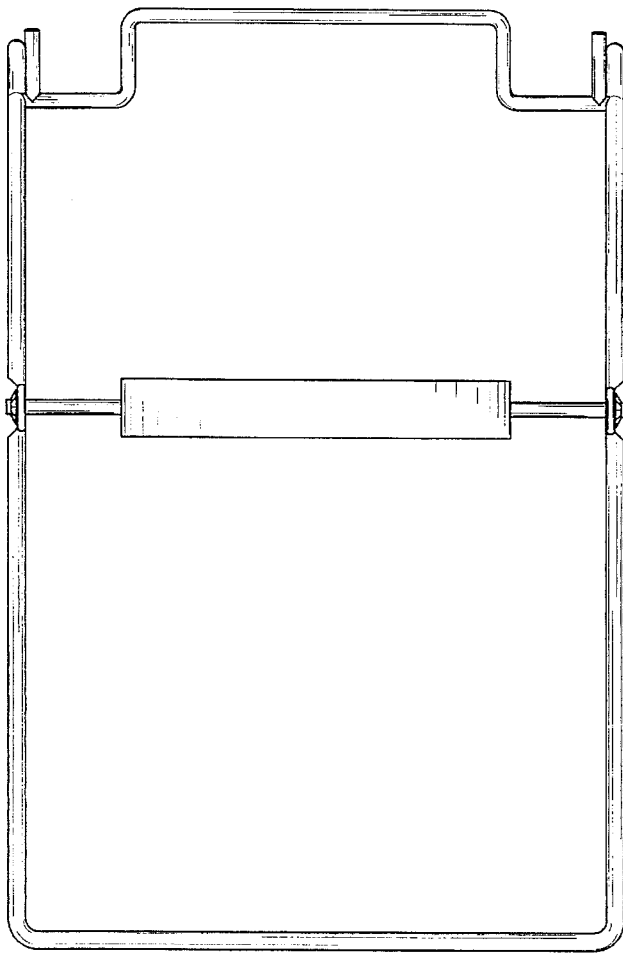


Fig. 3

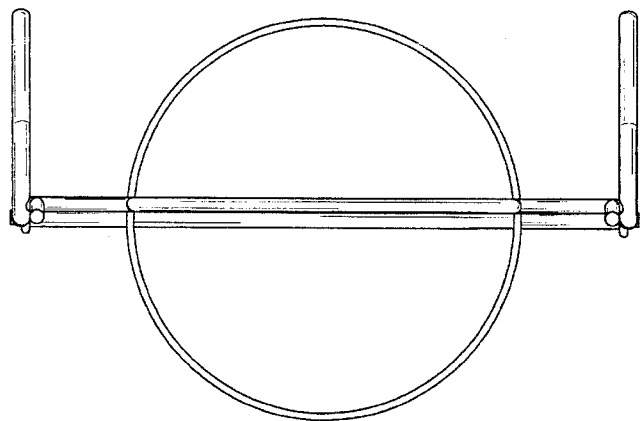


Fig. 4