



US00D761494S

(12) **United States Design Patent**
Gibbs

(10) **Patent No.:** **US D761,494 S**
(45) **Date of Patent:** **** Jul. 12, 2016**

(54) **COMBINED PET FOOD BOWL AND WATER BOWL WITH ELEVATED BASE**

(71) Applicant: **Andy H. Gibbs**, Palm Springs, CA (US)

(72) Inventor: **Andy H. Gibbs**, Palm Springs, CA (US)

(**) Term: **15 Years**

(21) Appl. No.: **29/534,982**

(22) Filed: **Aug. 3, 2015**

(51) **LOC (10) Cl.** **30-03**

(52) **U.S. Cl.**

USPC **D30/130; D30/133; D30/132; D30/121**

(58) **Field of Classification Search**

USPC **D30/133, 121, 128, 130, 132, 129, 131; 119/52.1, 55, 61.5, 61.6, 61.57, 61.56; D6/480-485; 248/188; 312/204; 108/153.1-157**

CPC **A01K 5/00; A01K 5/01; A01K 5/0107; A01K 5/0114; A01K 5/0121; A01K 5/0128; A01K 5/0135; A01K 7/005**

See application file for complete search history.

(56) **References Cited**

U.S. PATENT DOCUMENTS

D192,412	S	*	3/1962	Forsman	D23/290
3,205,861	A	*	9/1965	Moore	A01K 5/008
						119/61.3
D221,217	S	*	7/1971	Beychok	206/558
D232,564	S	*	8/1974	Kissen	D30/129
3,939,986	A	*	2/1976	Pierro	B60N 3/103
						108/44
D279,845	S	*	7/1985	Holliman	273/148 B
D319,358	S	*	8/1991	Giugiaro	D6/406.1
D385,126	S	*	10/1997	Howland	D6/406.6
D410,780	S	*	6/1999	McGinty	D30/119
D428,729	S	*	8/2000	Weitzman	D6/406.5
D467,687	S	*	12/2002	Tangolics	D30/129
D558,931	S	*	1/2008	Hood	D30/130
D563,606	S	*	3/2008	Hood	D30/129
D607,616	S	*	1/2010	Newsome	D30/129

(Continued)

Primary Examiner — Susan Moon Lee
(74) *Attorney, Agent, or Firm* — Neustel Law Offices; Michael S. Neustel

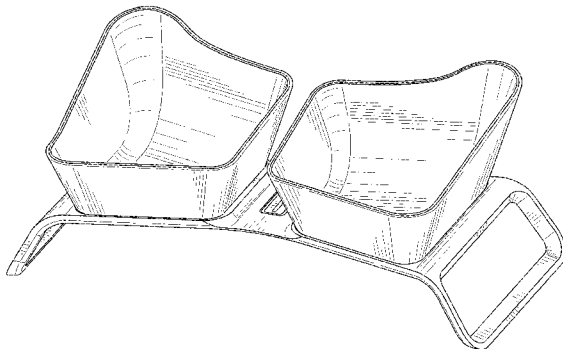
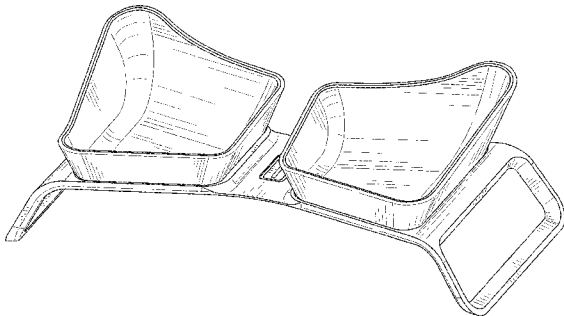
(57) **CLAIM**

The ornamental design for a combined pet food bowl and water bowl with elevated base, as shown and described.

DESCRIPTION

FIG. 1 is a perspective view of a combined pet food bowl and water bowl with elevated base showing my new design;
 FIG. 2 is a front view thereof;
 FIG. 3 is a rear view thereof;
 FIG. 4 is a right view thereof;
 FIG. 5 is a left view thereof;
 FIG. 6 is a top view thereof;
 FIG. 7 is a bottom view thereof;
 FIG. 8 is a perspective view of the second embodiment of a combined pet food bowl and water bowl with elevated base showing my new design;
 FIG. 9 is a front view of the second embodiment;
 FIG. 10 is a rear view of the second embodiment;
 FIG. 11 is a right view of the second embodiment;
 FIG. 12 is a left view of the second embodiment;
 FIG. 13 is a top view of the second embodiment;
 FIG. 14 is a bottom view of the second embodiment;
 FIG. 15 is a perspective view of the third embodiment of a combined pet food bowl and water bowl with elevated base showing my new design;
 FIG. 16 is a front view of the third embodiment;
 FIG. 17 is a rear view of the third embodiment;
 FIG. 18 is a right view of the third embodiment;
 FIG. 19 is a left view of the third embodiment;
 FIG. 20 is a top view of the third embodiment;
 FIG. 21 is a bottom view of the third embodiment;
 FIG. 22 is a cross sectional view taken along line 22-22 of FIG. 20; and,
 FIG. 23 is an exploded perspective view of the third embodiment.

1 Claim, 20 Drawing Sheets



US D761,494 S

Page 2

(56)

References Cited

U.S. PATENT DOCUMENTS

D646,440 S * 10/2011 Chance D30/130
D646,852 S * 10/2011 Chance D30/129

D647,667 S * 10/2011 Siklosi D30/130
D678,632 S * 3/2013 Chance D30/161
D700,750 S * 3/2014 Maguire D30/129
D723,830 S * 3/2015 Tcholakov D6/406.6

* cited by examiner

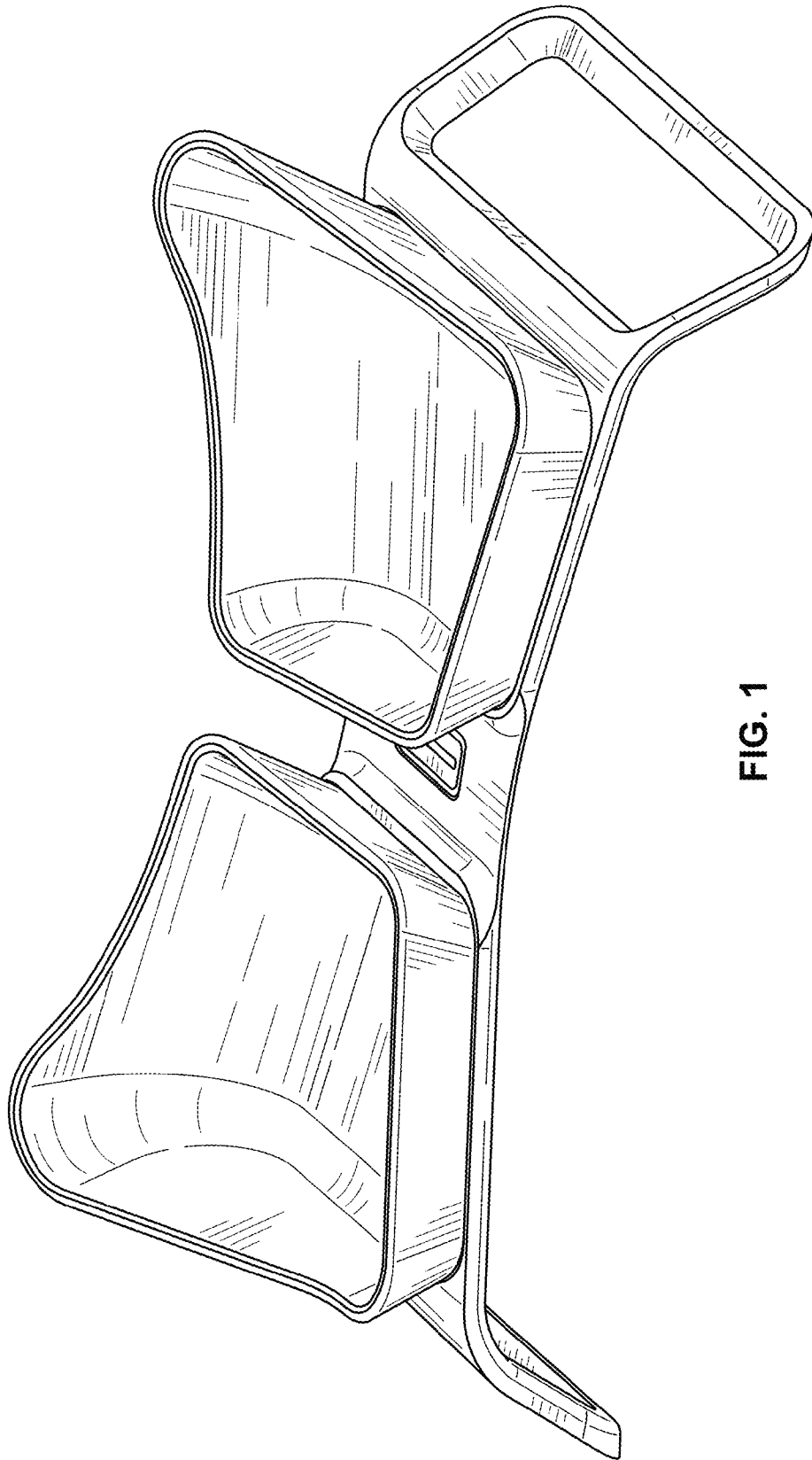


FIG. 1

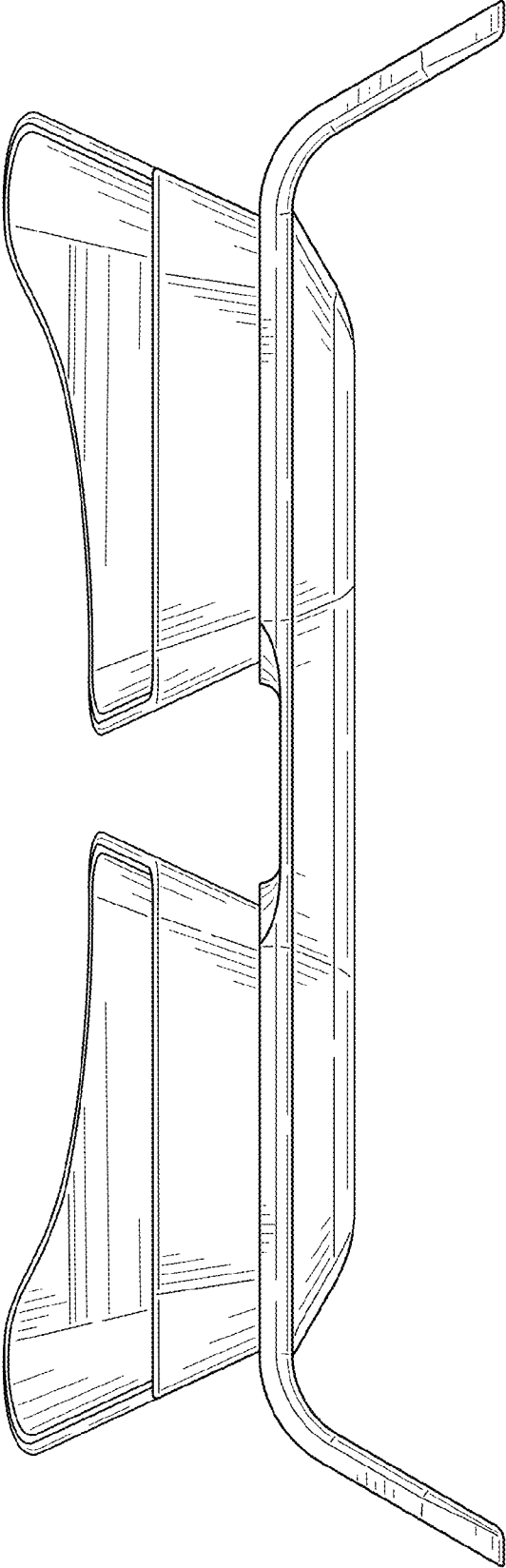


FIG. 2

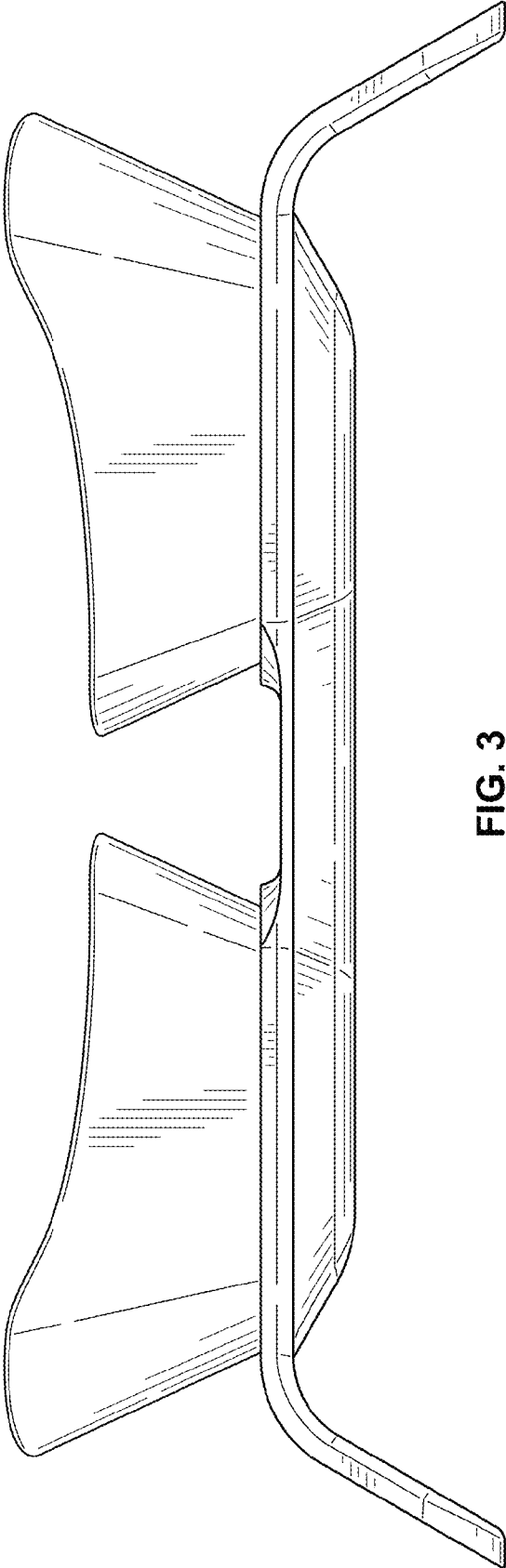


FIG. 3

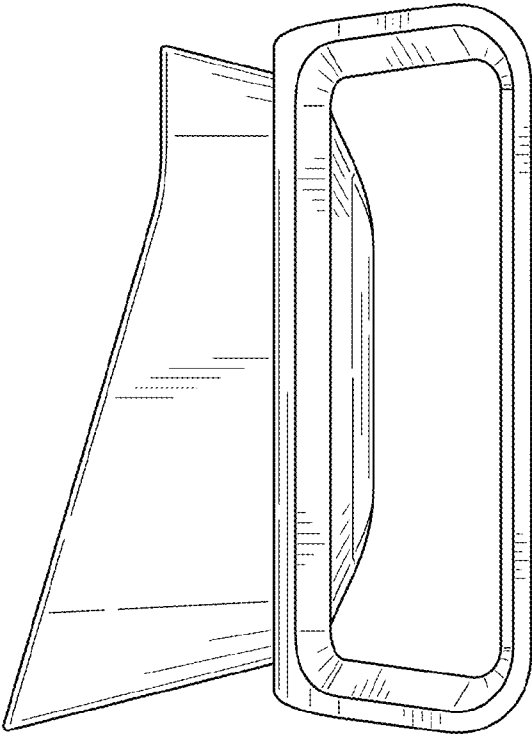


FIG. 5

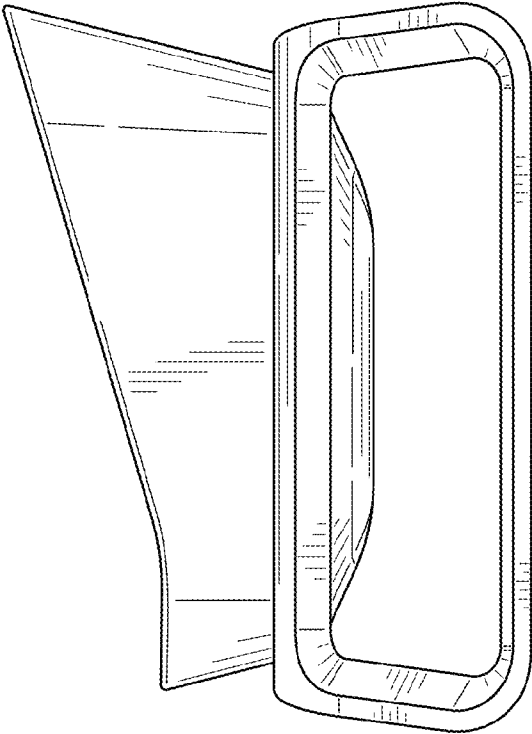


FIG. 4

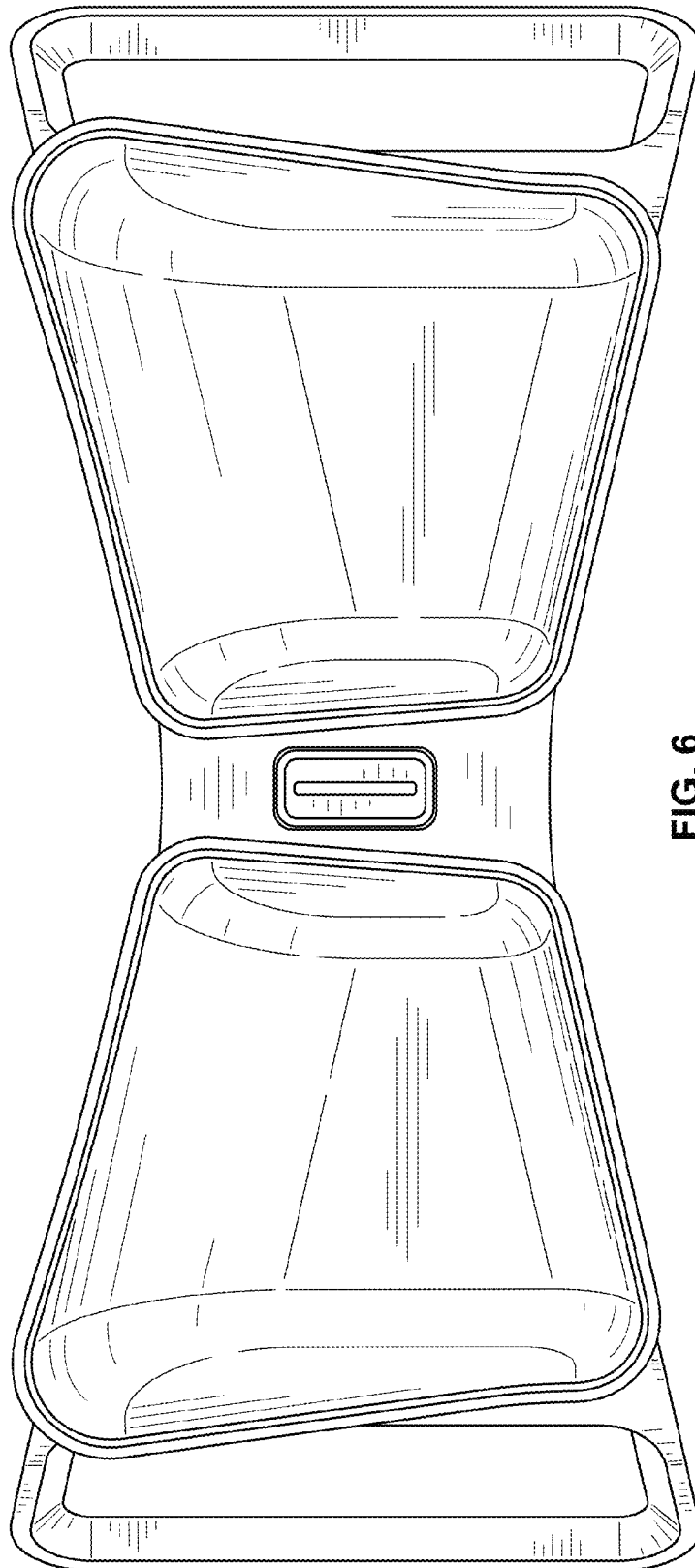


FIG. 6

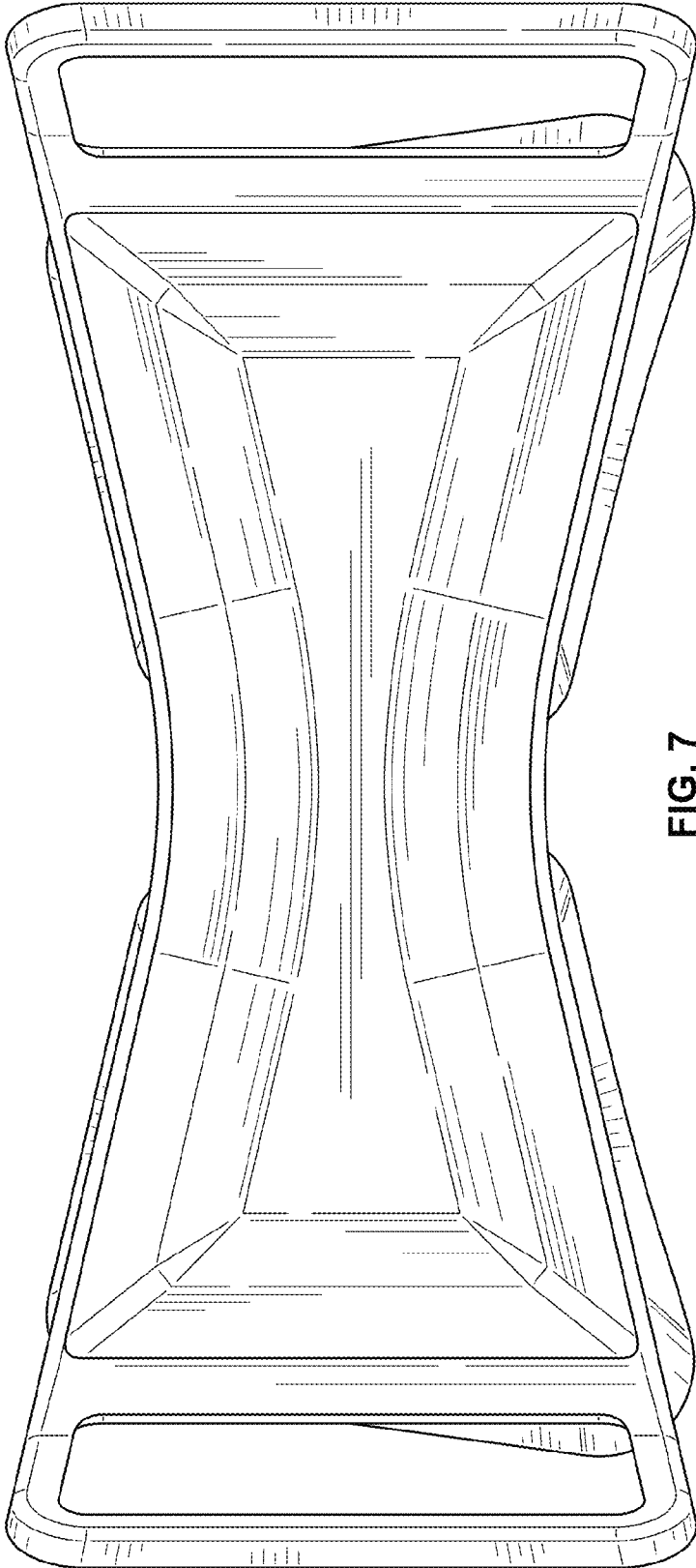


FIG. 7

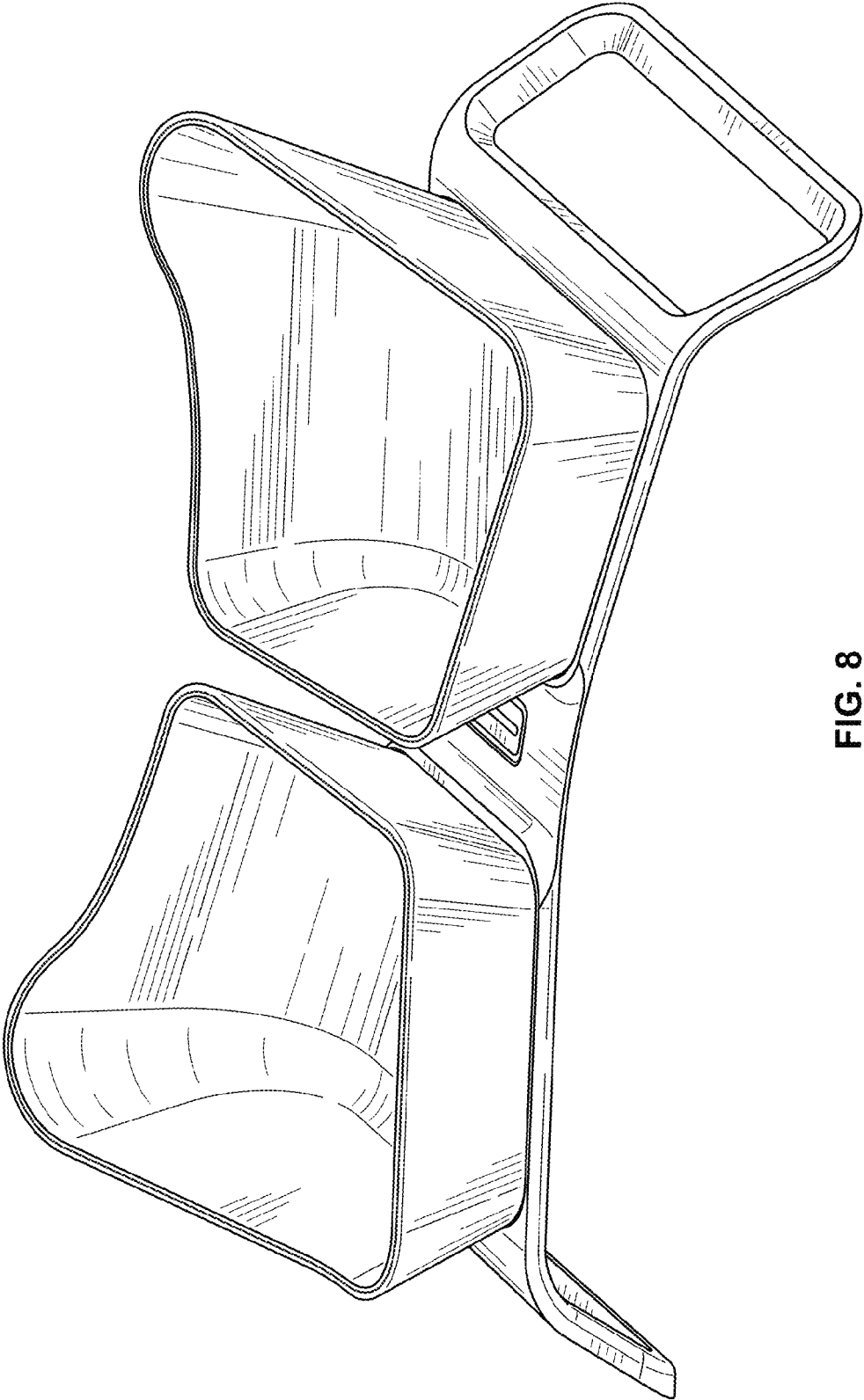


FIG. 8

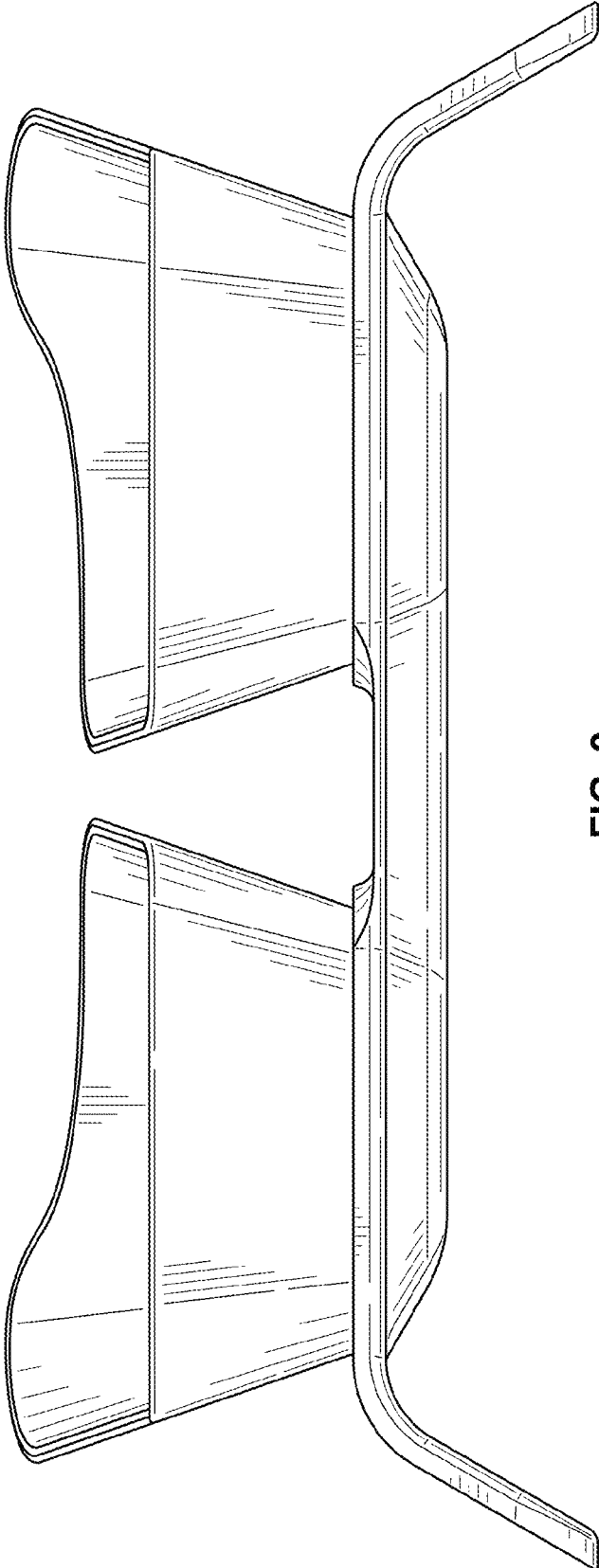


FIG. 9

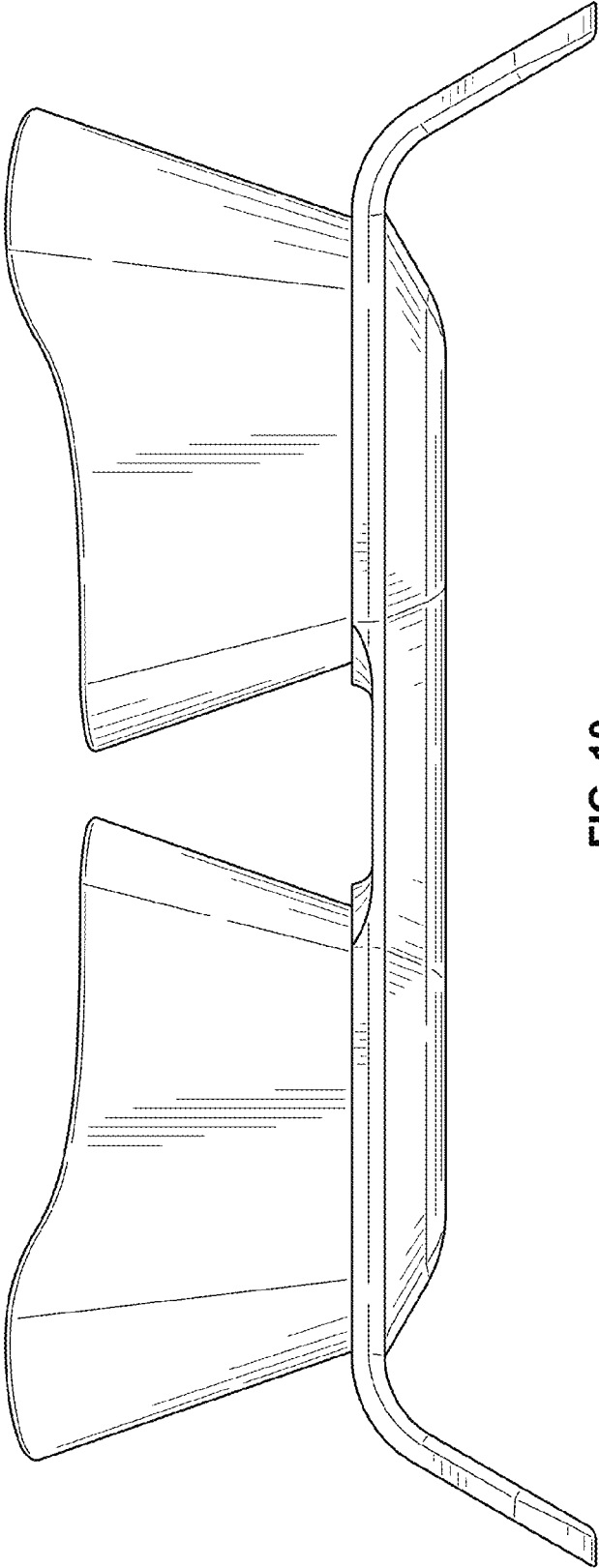


FIG. 10

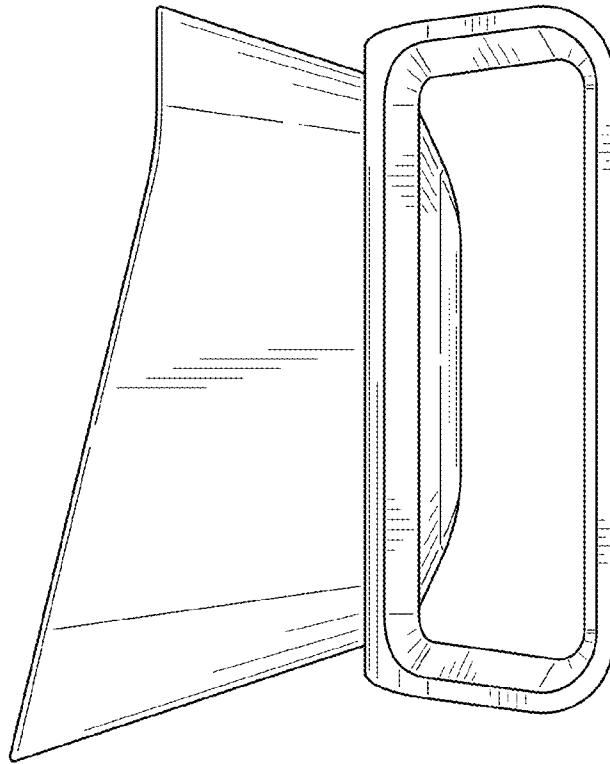


FIG. 11

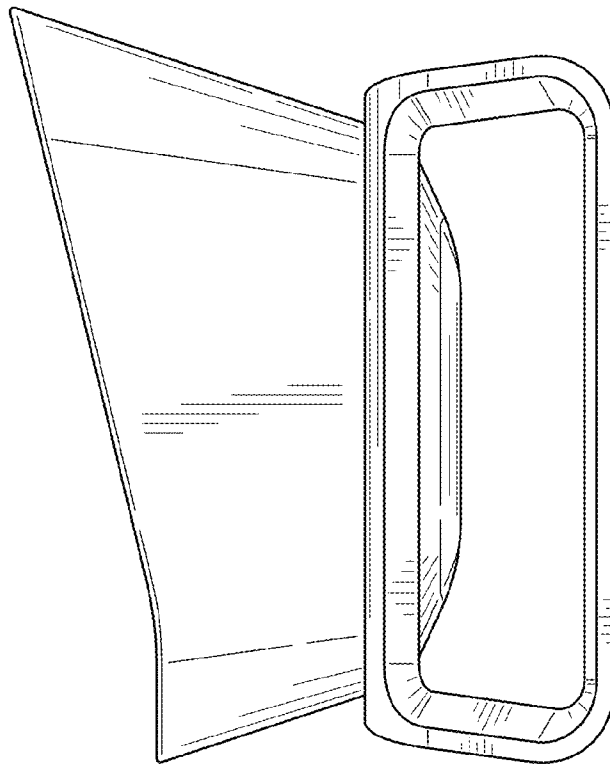


FIG. 12

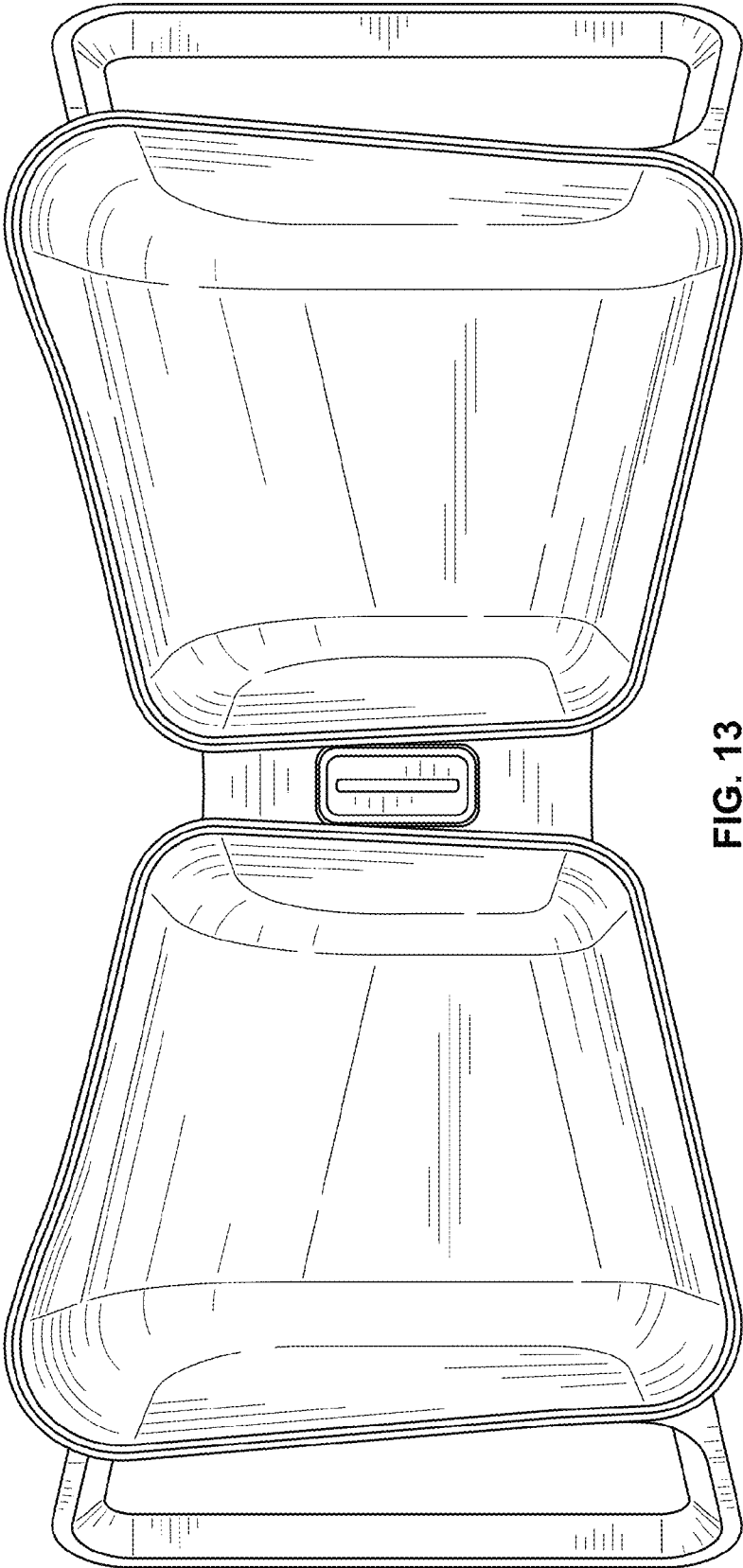


FIG. 13

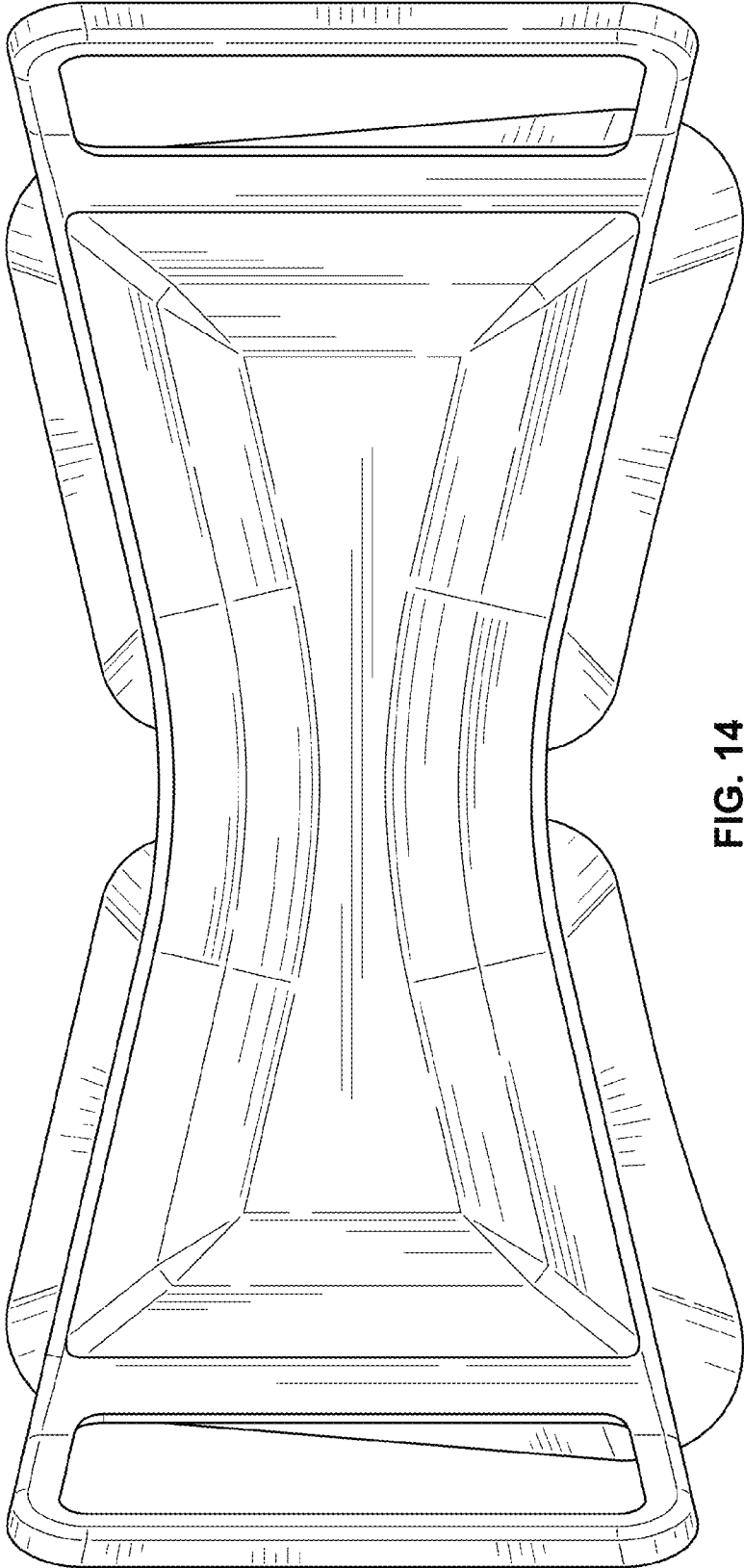


FIG. 14

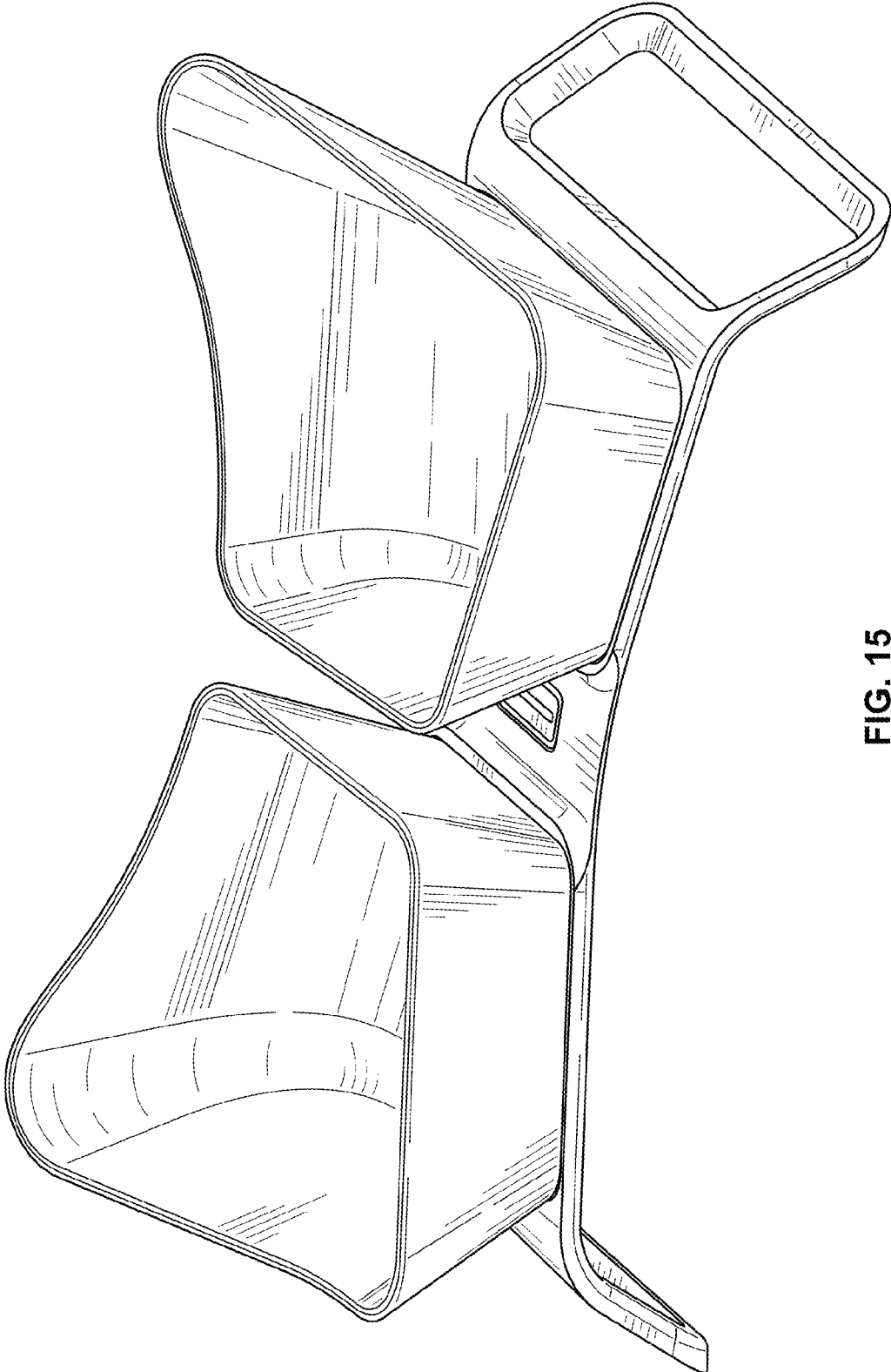


FIG. 15

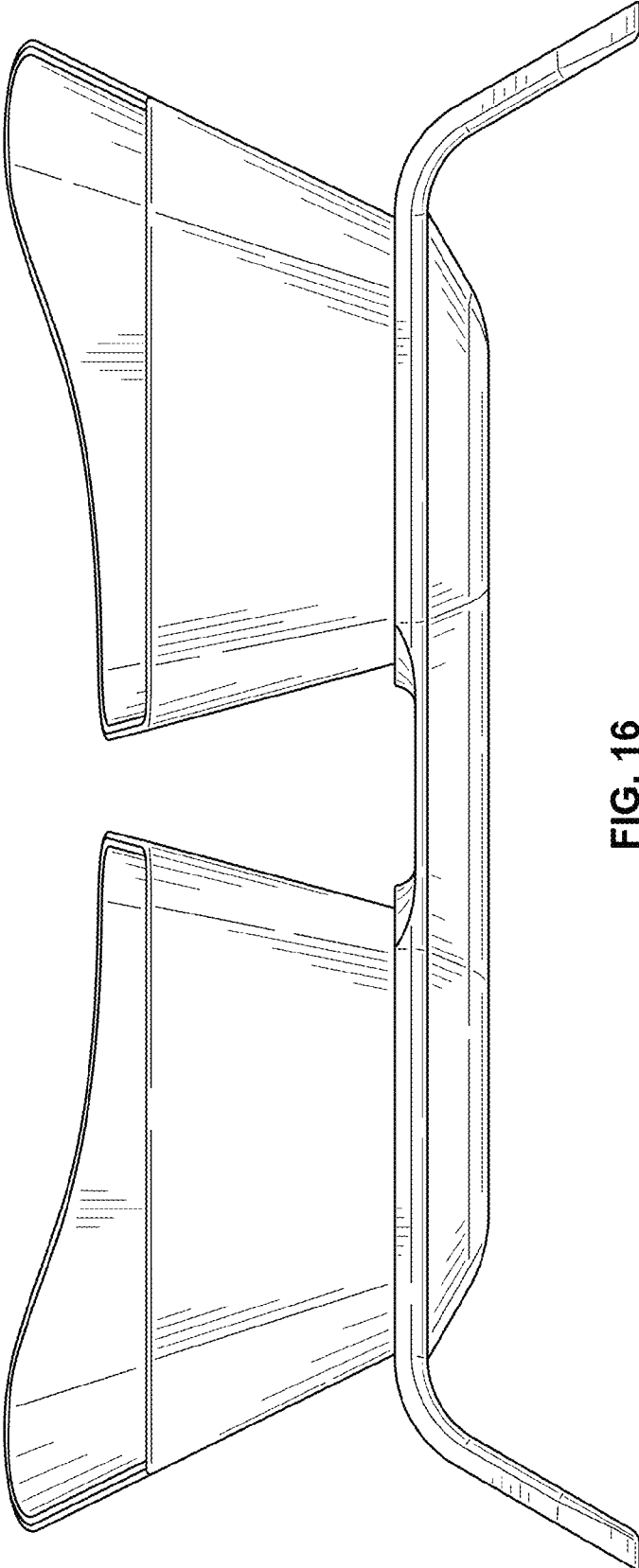


FIG. 16

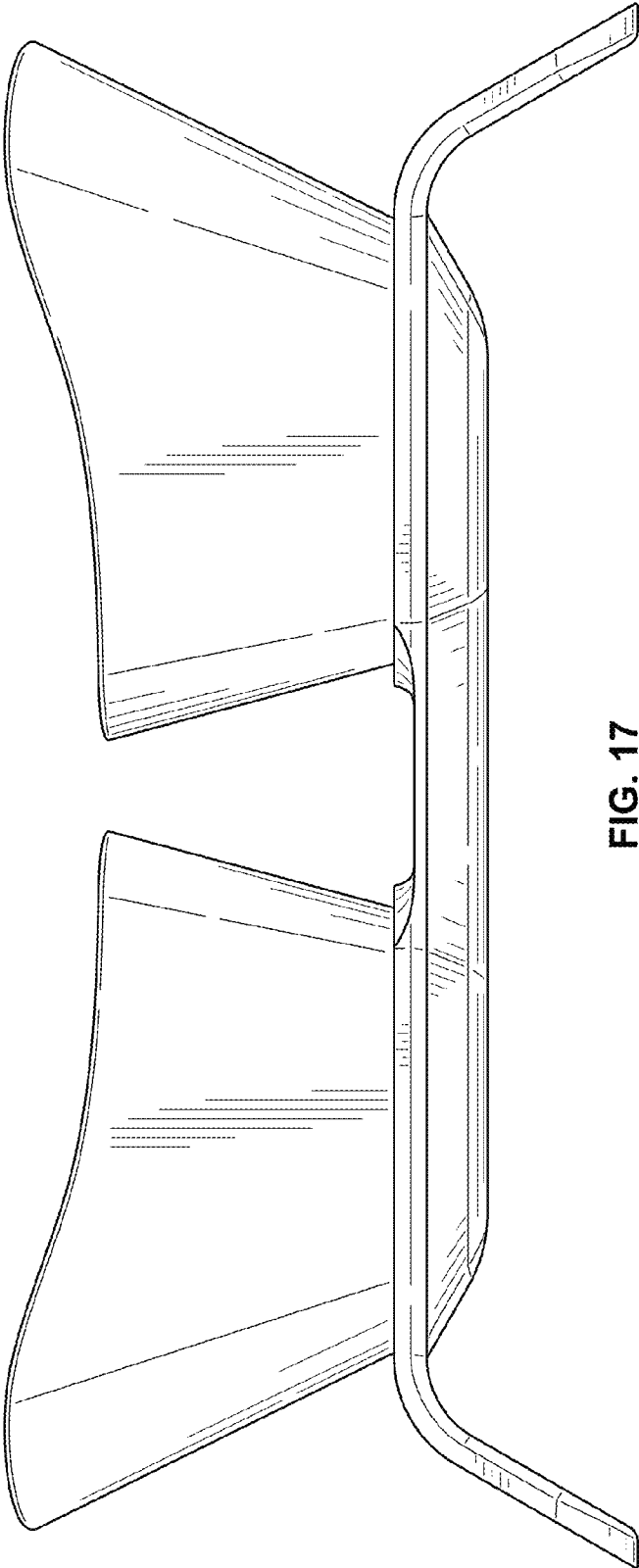


FIG. 17

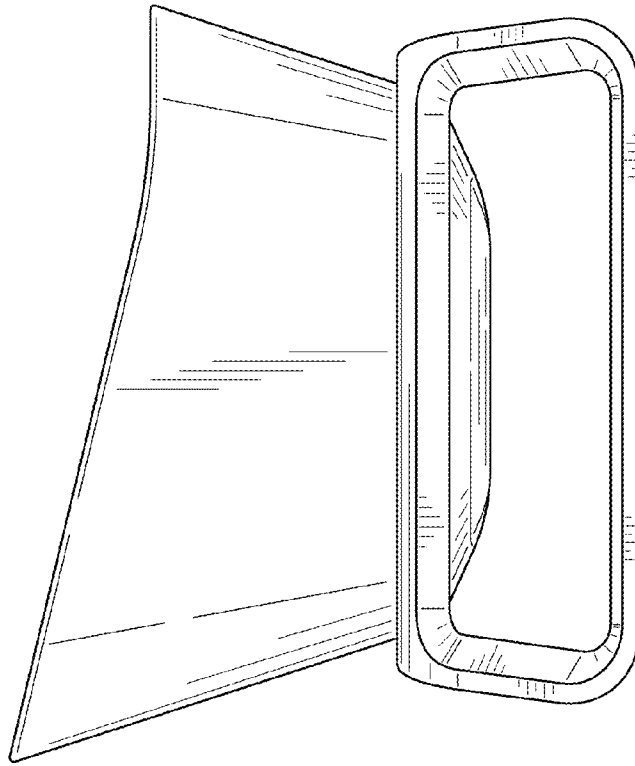


FIG. 18

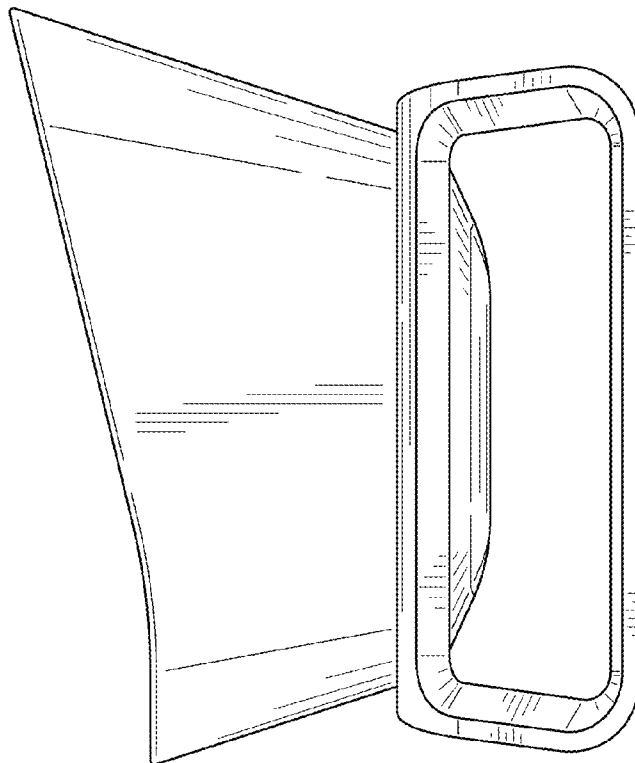


FIG. 19

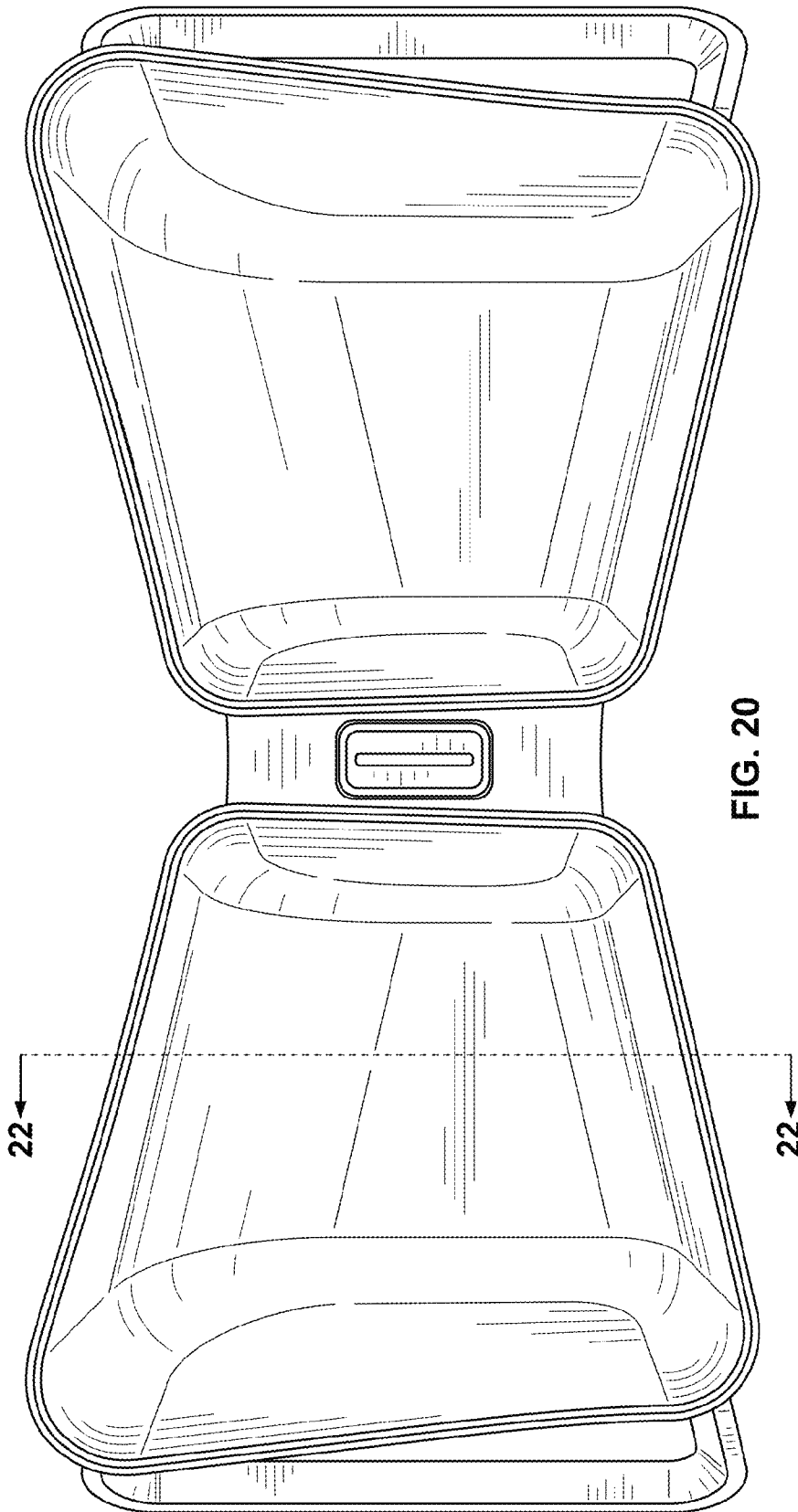


FIG. 20

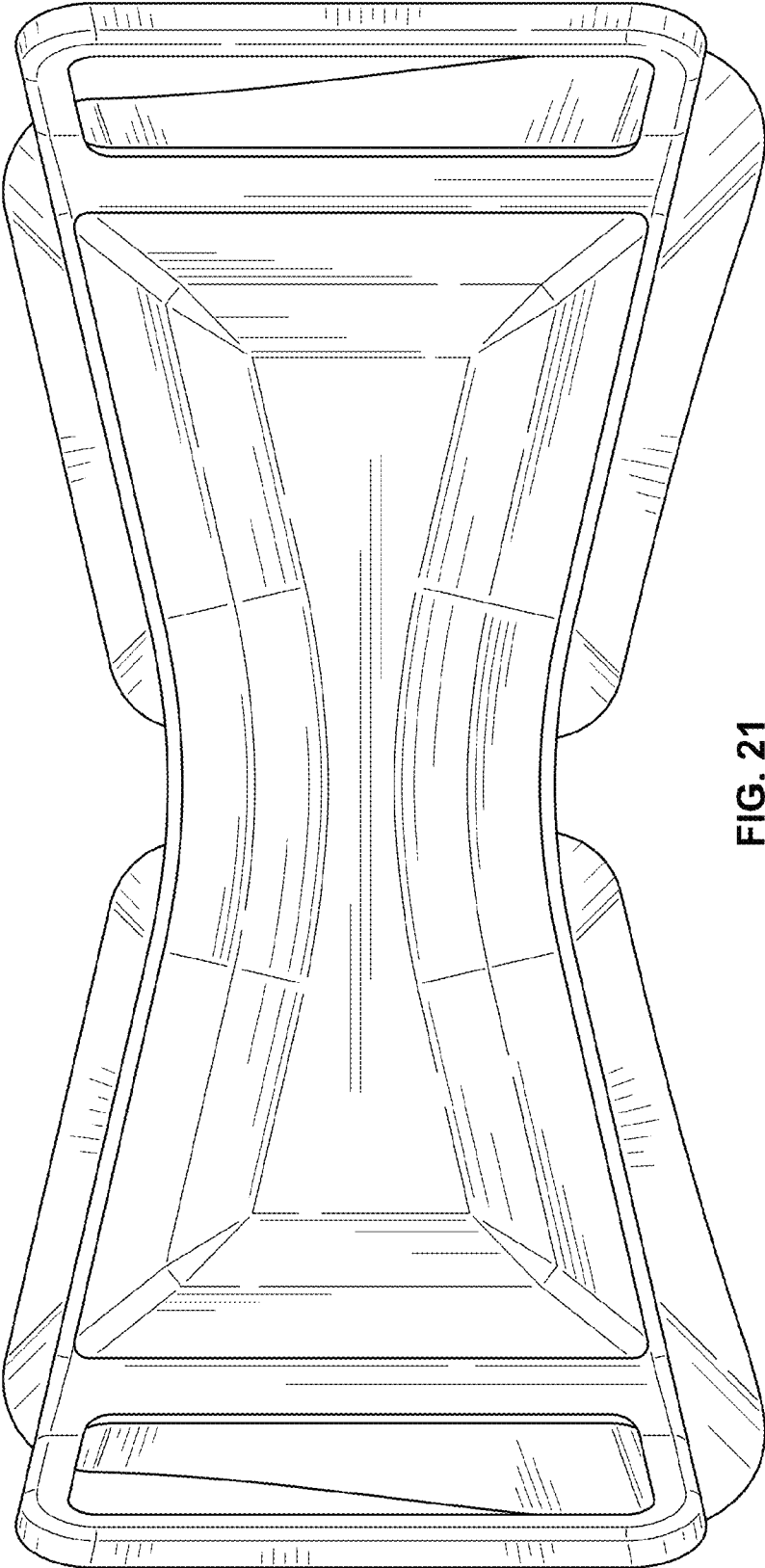


FIG. 21

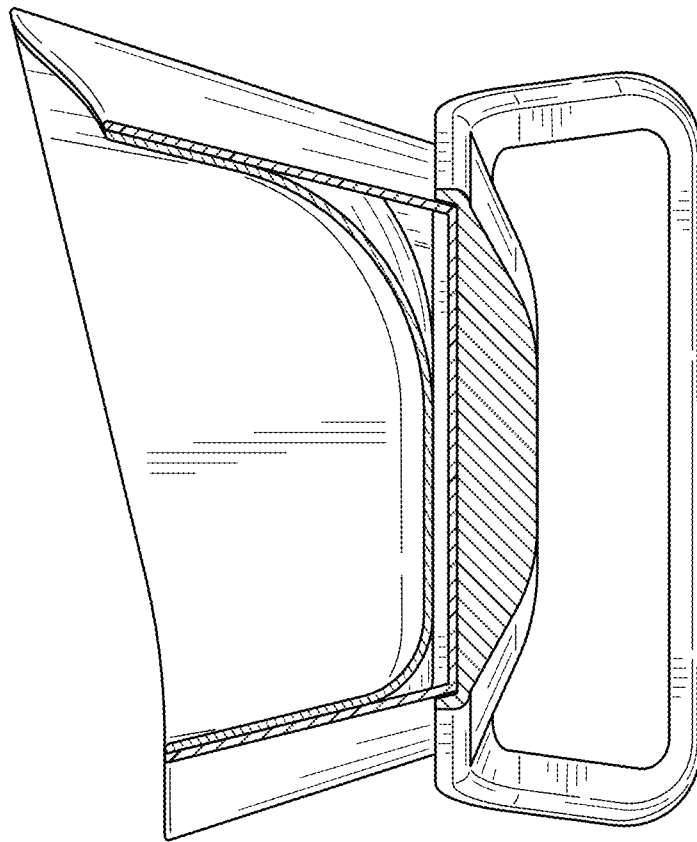


FIG. 22

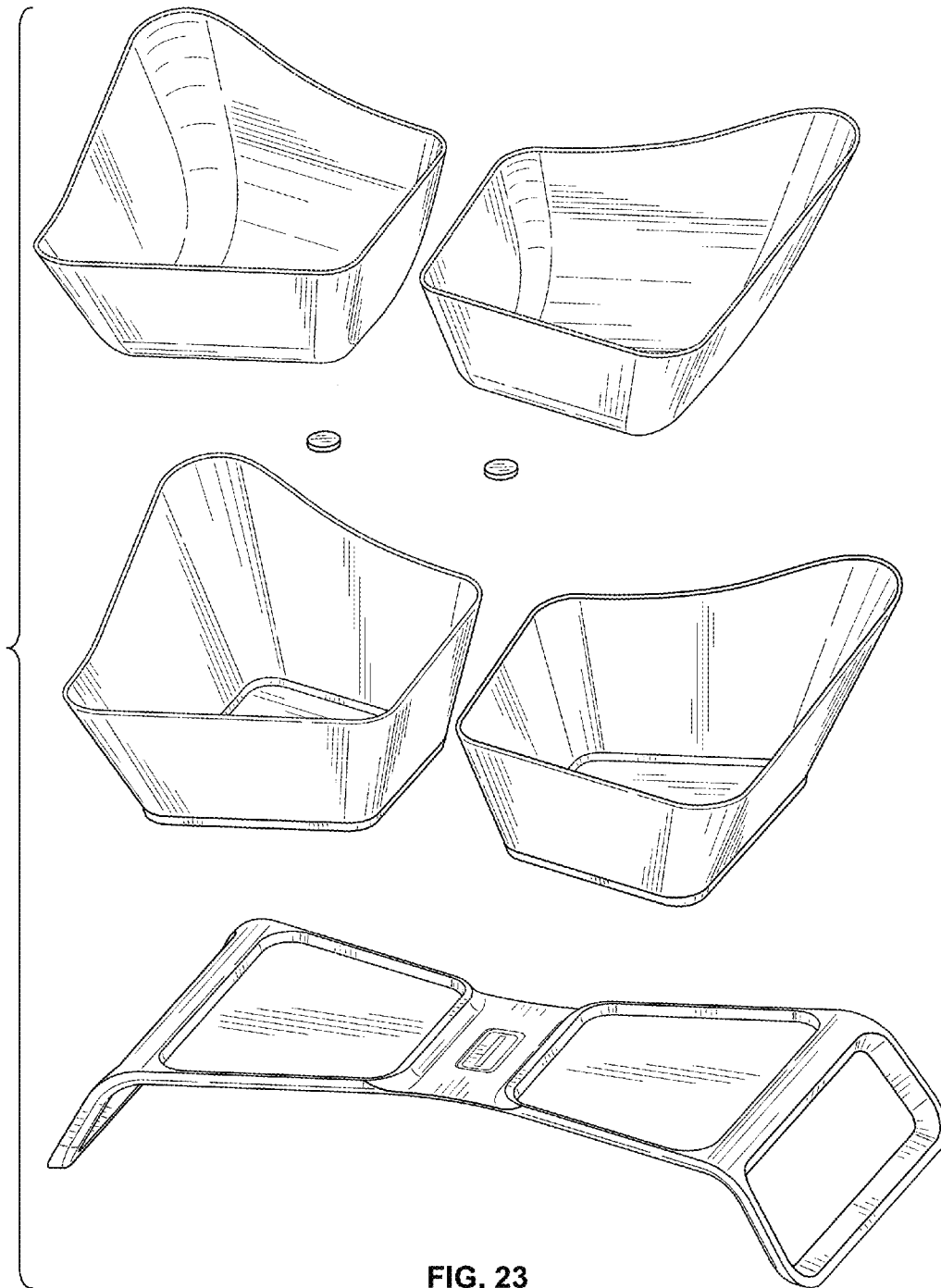


FIG. 23