

(19) World Intellectual Property Organization
International Bureau



(43) International Publication Date
18 June 2009 (18.06.2009)

PCT

(10) International Publication Number
WO 2009/074828 A3

(51) International Patent Classification:
E04H 1/12 (2006.01) *E04H 9/10* (2006.01)
E04H 9/04 (2006.01)

(21) International Application Number:
PCT/GB2008/051172

(22) International Filing Date:
10 December 2008 (10.12.2008)

(25) Filing Language: English

(26) Publication Language: English

(30) Priority Data:
0724144.1 11 December 2007 (11.12.2007) GB

(71) Applicant (for all designated States except US): **LOCKHEED MARTIN UK INSYS LIMITED** [GB/GB]; Reddings Wood, Ampthill, Bedford, Bedfordshire MK45 2HD (GB).

(72) Inventors; and

(75) Inventors/Applicants (for US only): **STEED, Robin Nicholas** [GB/GB]; 11 Mentmore Close, Biddenham, Bedfordshire MK40 4FD (GB). **KIMPTON, Clifford Lee** [GB/GB]; 3 Pollards Close, Wilstead, Bedfordshire MK45 3HA (GB). **URQUHART, Nigel** [GB/GB]; 37 Winchester Road, Bedford, Bedfordshire MK42 0SA (GB).

(74) Agent: **W P THOMPSON & CO**; Eastcheap House, Central Approach, Letchworth Garden City, Hertfordshire SG6 3DS (GB).

(81) Designated States (unless otherwise indicated, for every kind of national protection available): AE, AG, AL, AM, AO, AT, AU, AZ, BA, BB, BG, BH, BR, BW, BY, BZ, CA, CH, CN, CO, CR, CU, CZ, DE, DK, DM, DO, DZ, EC, EE, EG, ES, FI, GB, GD, GE, GH, GM, GT, HN, HR, HU, ID, IL, IN, IS, JP, KE, KG, KM, KN, KP, KR, KZ, LA, LC, LK, LR, LS, LT, LU, LY, MA, MD, ME, MG, MK, MN, MW, MX, MY, MZ, NA, NG, NI, NO, NZ, OM, PG, PH, PL, PT, RO, RS, RU, SC, SD, SE, SG, SK, SL, SM, ST, SV, SY, TJ, TM, TN, TR, TT, TZ, UA, UG, US, UZ, VC, VN, ZA, ZM, ZW.

(84) Designated States (unless otherwise indicated, for every kind of regional protection available): ARIPO (BW, GH, GM, KE, LS, MW, MZ, NA, SD, SL, SZ, TZ, UG, ZM, ZW), Eurasian (AM, AZ, BY, KG, KZ, MD, RU, TJ, TM), European (AT, BE, BG, CH, CY, CZ, DE, DK, EE, ES, FI, FR, GB, GR, HR, HU, IE, IS, IT, LT, LU, LV, MC, MT, NL, NO, PL, PT, RO, SE, SI, SK, TR), OAPI (BF, BJ, CF, CG, CI, CM, GA, GN, GQ, GW, ML, MR, NE, SN, TD, TG).

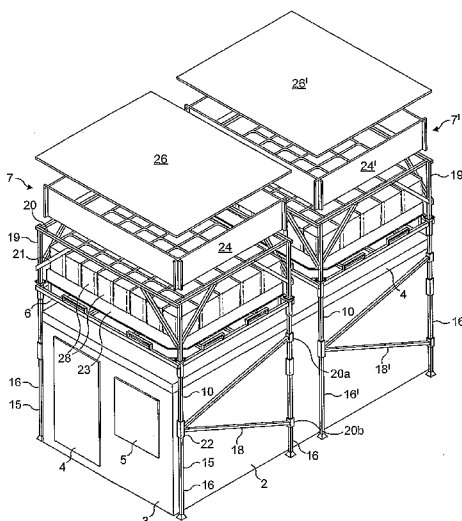
Published:

- with international search report (Art. 21(3))
- before the expiration of the time limit for amending the claims and to be republished in the event of receipt of amendments (Rule 48.2(h))

(88) Date of publication of the international search report:
17 December 2009

(54) Title: PORTABLE BUILDING

FIG. 1



(57) Abstract: An assembled modular portable building (1), is fortified against armament attack by sand bags (28) loaded on a pallet (6) on which the parts of the building were transported to its place of use. The pallet (6) is supported on legs (16) which are packed with the building parts on the pallet, together with bracing struts (18), side walls (24) and a cover (26).



WO 2009/074828 A3

INTERNATIONAL SEARCH REPORT

International application No
PCT/GB2008/051172

A. CLASSIFICATION OF SUBJECT MATTER
INV. E04H1/12 E04H9/04 E04H9/10

According to International Patent Classification (IPC) or to both national classification and IPC

B. FIELDS SEARCHED

Minimum documentation searched (classification system followed by classification symbols)
E04H E04B

Documentation searched other than minimum documentation to the extent that such documents are included in the fields searched

Electronic data base consulted during the international search (name of data base and, where practical, search terms used)

EPO-Internal, WPI Data

C. DOCUMENTS CONSIDERED TO BE RELEVANT

Category*	Citation of document, with indication, where appropriate, of the relevant passages	Relevant to claim No.
X	US 4 035 964 A (ROBINSON KENNETH J) 19 July 1977 (1977-07-19) figures 6,1	1-4, 11-14
X	US 3 527 339 A (CIPOLLA HENRY E) 8 September 1970 (1970-09-08)	1-6, 11-14
Y	column 1, line 71 - column 2, line 2; figures 4,2	7,8
X	GB 2 172 915 A (KINSEALY FARMS LTD) 1 October 1986 (1986-10-01)	1-4, 9-14, 18-21, 23,24, 27,28
Y	page 3, line 20 - line 22; figures 2,1,4	22,25, 26,29-35
	----- -/--	

Further documents are listed in the continuation of Box C.

See patent family annex.

* Special categories of cited documents :

- *A* document defining the general state of the art which is not considered to be of particular relevance
- *E* earlier document but published on or after the international filing date
- *L* document which may throw doubts on priority claim(s) or which is cited to establish the publication date of another citation or other special reason (as specified)
- *O* document referring to an oral disclosure, use, exhibition or other means
- *P* document published prior to the international filing date but later than the priority date claimed

- *T* later document published after the international filing date or priority date and not in conflict with the application but cited to understand the principle or theory underlying the invention
- *X* document of particular relevance; the claimed invention cannot be considered novel or cannot be considered to involve an inventive step when the document is taken alone
- *Y* document of particular relevance; the claimed invention cannot be considered to involve an inventive step when the document is combined with one or more other such documents, such combination being obvious to a person skilled in the art.
- *&* document member of the same patent family

Date of the actual completion of the international search

22 October 2009

Date of mailing of the international search report

29/10/2009

Name and mailing address of the ISA/

European Patent Office, P.B. 5818 Patentlaan 2
NL - 2280 HV Rijswijk
Tel. (+31-70) 340-2040,
Fax: (+31-70) 340-3016

Authorized officer

Topcuoglu, Sadik Cem

INTERNATIONAL SEARCH REPORT

International application No

PCT/GB2008/051172

C(Continuation). DOCUMENTS CONSIDERED TO BE RELEVANT		
Category*	Citation of document, with indication, where appropriate, of the relevant passages	Relevant to claim No.
X Y	US 5 758 461 A (MCMANUS FRANK J [US]) 2 June 1998 (1998-06-02) figures 15,1a	1-6, 11-15 7,8,16, 17,22, 25,26, 29,30, 33-35
X	US 2003/052158 A1 (SPINDEL MARTIN [US] ET AL) 20 March 2003 (2003-03-20) figures 12B,12D,12E,1-3	1-4,9-14
Y	WO 2007/040782 A (SPINDEL MARTIN [US]; CINO NADINE [US]) 12 April 2007 (2007-04-12)	7,8,16, 17
Y	figure 6	31,32
A	WO 96/26329 A (KUDOS 2000 LIMITED [GB]; DYER DAVID CHARLES [GB]; LAWLER NICHOLAS ANTH) 29 August 1996 (1996-08-29) cited in the application the whole document	1
A	US 6 145 684 A (OLDEN MICHAEL MARC [US]) 14 November 2000 (2000-11-14) the whole document	1

INTERNATIONAL SEARCH REPORT

Information on patent family members

International application No PCT/GB2008/051172
--

Patent document cited in search report	Publication date	Patent family member(s)	Publication date
US 4035964	A	19-07-1977 NONE	
US 3527339	A	08-09-1970 NONE	
GB 2172915	A	01-10-1986 BE 904440 A1 IE 850727 L	16-07-1986 22-09-1986
US 5758461	A	02-06-1998 NONE	
US 2003052158	A1	20-03-2003 US 7431172 B1	07-10-2008
WO 2007040782	A	12-04-2007 EP 1937563 A2	02-07-2008
WO 9626329	A	29-08-1996 AU 4670496 A CA 2215661 A1 DE 69612657 D1 DE 69612657 T2 DK 811096 T3 EP 0811096 A1 ES 2159352 T3 IN 187264 A1 US 5904005 A ZA 9601245 A	11-09-1996 29-08-1996 07-06-2001 05-09-2002 20-08-2001 10-12-1997 01-10-2001 16-03-2002 18-05-1999 27-08-1996
US 6145684	A	14-11-2000 NONE	