

(19) World Intellectual Property Organization
International Bureau



(43) International Publication Date
26 June 2008 (26.06.2008)

PCT

(10) International Publication Number
WO 2008/075296 A3

- (51) **International Patent Classification:**
C04B 35/547 (2006.01) C04B 35/50 (2006.01)
C04B 35/645 (2006.01) C09K 11/84 (2006.01)
- (21) **International Application Number:**
PCT/IB2007/055221
- (22) **International Filing Date:**
 19 December 2007 (19.12.2007)
- (25) **Filing Language:** English
- (26) **Publication Language:** English
- (30) **Priority Data:**
 06126654.0 20 December 2006 (20.12.2006) EP
- (71) **Applicant (for all designated States except DE, US):**
KONINKLUKE PHILIPS ELECTRONICS N.V.
 [NL/NL]; Groenewoudseweg 1, NL-5621 BA Eindhoven (NL).
- (71) **Applicant (for DE only):** **PHILIPS INTELLECTUAL PROPERTY & STANDARDS GMBH** [DE/DE];
 Lübeckertordamm 5, 20099 Hamburg (DE).
- (72) **Inventors; and**
- (75) **Inventors/Applicants (for US only):** **ZEITLER, Guenter**

[DE/DE]; c/o High Tech Campus Building 44, NL-5656 AE Eindhoven (NL). **SCHREINEMACHER, Herbert** [DE/DE]; c/o High Tech Campus Building 44, NL-5656 AE Eindhoven (NL). **RONDA, Cornelis, R.** [NL/DE]; c/o High Tech Campus Building 44, NL-5656 AE Eindhoven (NL).

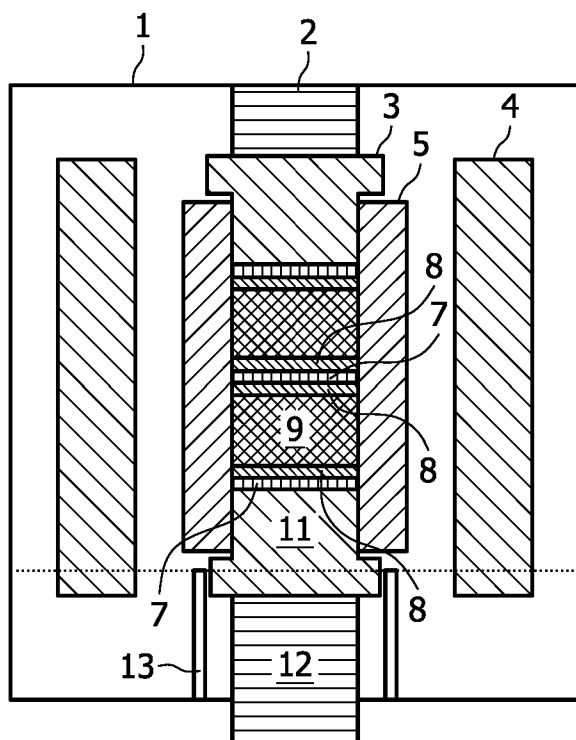
(74) **Agents:** **SCHOUTEN, Marcus, M.** et al.; c/o High Tech Campus Building 44, NL-5656 AE Eindhoven (NL).

(81) **Designated States (unless otherwise indicated, for every kind of national protection available):** AE, AG, AL, AM, AT, AU, AZ, BA, BB, BG, BH, BR, BW, BY, BZ, CA, CH, CN, CO, CR, CU, CZ, DE, DK, DM, DO, DZ, EC, EE, EG, ES, FI, GB, GD, GE, GH, GM, GT, HN, HR, HU, ID, IL, IN, IS, JP, KE, KG, KM, KN, KP, KR, KZ, LA, LC, LK, LR, LS, LT, LU, LY, MA, MD, ME, MG, MK, MN, MW, MX, MY, MZ, NA, NG, NI, NO, NZ, OM, PG, PH, PL, PT, RO, RS, RU, SC, SD, SE, SG, SK, SL, SM, SV, SY, TJ, TM, TN, TR, TT, TZ, UA, UG, US, UZ, VC, VN, ZA, ZM, ZW

(84) **Designated States (unless otherwise indicated, for every kind of regional protection available):** ARIPO (BW, GH, GM, KE, LS, MW, MZ, NA, SD, SL, SZ, TZ, UG, ZM, ZW), Eurasian (AM, AZ, BY, KG, KZ, MD, RU, TJ, TM),

[Continued on next page]

(54) **Title:** HOT AXIAL PRESSING METHOD



(57) **Abstract:** A hot axial pressing method for sintering a ceramic powder, particularly doped Gd2O2S, comprise the step of placing a first porous body (7), the ceramic powder (9) and a second porous body (7) into a mould shell (5) supported by a support (13, 14). The ceramic powder (9) is located between the porous bodies (7). Gaseous components are evacuated from the ceramic powder (9) up to an ambient pressure of less than 0,8 bar. The porous body (7) and the ceramic powder (9) are heated to a maximum temperature of at least 900° C and are applied to a pressure up to a maximum pressure of at least 75 Mpa. According to the invention the variation in time of the heating step and the variation in time of the pressure applying step is adjusted to each other such that the mould shell 5 is held by the porous bodies (7) and/or the ceramic powder (9) in a state where the mould shell (5) and the support (13, 14) are disconnected with respect to each other.

WO 2008/075296 A3



European (AT, BE, BG, CH, CY, CZ, DE, DK, EE, ES, FI, FR, GB, GR, HU, IE, IS, IT, LT, LU, LV, MC, MT, NL, PL, PT, RO, SE, SI, SK, TR), OAPI (BF, BJ, CF, CG, CI, CM, GA, GN, GQ, GW, ML, MR, NE, SN, TD, TG).

— *before the expiration of the time limit for amending the claims and to be republished in the event of receipt of amendments*

Published:

— *with international search report*

(88) Date of publication of the international search report:

14 August 2008

INTERNATIONAL SEARCH REPORT

International application No

PCT/IB2007/055221

A. CLASSIFICATION OF SUBJECT MATTER

INV. C04B35/547 C04B35/645 C04B35/50 C09K11/84

According to International Patent Classification (IPC) or to both national classification and IPC

B. FIELDS SEARCHED

Minimum documentation searched (classification system followed by classification symbols)

C04B C09K

Documentation searched other than minimum documentation to the extent that such documents are included in the fields searched

Electronic data base consulted during the international search (name of data base and, where practical, search terms used)

EPO-Internal , WPI Data

C. DOCUMENTS CONSIDERED TO BE RELEVANT

Category*	Citation of document, with indication, where appropriate, of the relevant passages	Relevant to claim No.
X	WO 2005/110943 A (PHILIPS INTELLECTUAL PROPERTY [DE]; KONINKL PHILIPS ELECTRONICS NV [NL] 24 November 2005 (2005-11-24) cited in the application claims 1-10; examples 1-21 -----	1-10
X	GB 1 139 280 A (EASTMAN KODAK CO) 8 January 1969 (1969-01-08) claims 1-14; examples 1-7 -----	1-10
X	GB 1 013 156 A (EASTMAN KODAK CO) 15 December 1965 (1965-12-15) claims 1-9 -----	1-10

D Further documents are listed in the continuation of Box C.



See patent family annex.

* Special categories of cited documents :

- "A" document defining the general state of the art which is not considered to be of particular relevance
- "E" earlier document but published on or after the international filing date
- "L" document which may throw doubts on priority claim(s) or which is cited to establish the publication date of another citation or other special reason (as specified)
- "O" document referring to an oral disclosure, use, exhibition or other means
- "P" document published prior to the international filing date but later than the priority date claimed

- "T" later document published after the international filing date or priority date and not in conflict with the application but cited to understand the principle or theory underlying the invention
- "X" document of particular relevance; the claimed invention cannot be considered novel or cannot be considered to involve an inventive step when the document is taken alone
- "Y" document of particular relevance; the claimed invention cannot be considered to involve an inventive step when the document is combined with one or more other such documents, such combination being obvious to a person skilled in the art.
- "&" document member of the same patent family

Date of the actual completion of the international search

27 May 2008

Date of mailing of the international search report

05/06/2008

Name and mailing address of the ISA/

European Patent Office, P.B. 5818 Patentlaan 2
NL - 2280 HV Rijswijk
Tel. (+31-70) 340-2040, Tx. 31 651 epo nl,
Fax: (+31-70) 340-3016

Authorized officer

Fortunati , Taddi ano

INTERNATIONAL SEARCH REPORT

Information on patent family members

International application No

PCT/IB2007/055221

Patent document cited in search report	Publication date	Patent family member(s)	Publication date
WO 2005110943 A	24-11-2005	CN 101107206 A EP 1753705 A1 JP 2008501611 T	16-01-2008 21-02-2007 24-01-2008
GB 1139280 A	08-01-1969	DE 1596429 A1	13-08-1970
GB 1013156 A	15-12-1965	CH 389176 A SE 303385 B	15-03-1965 26-08-1968