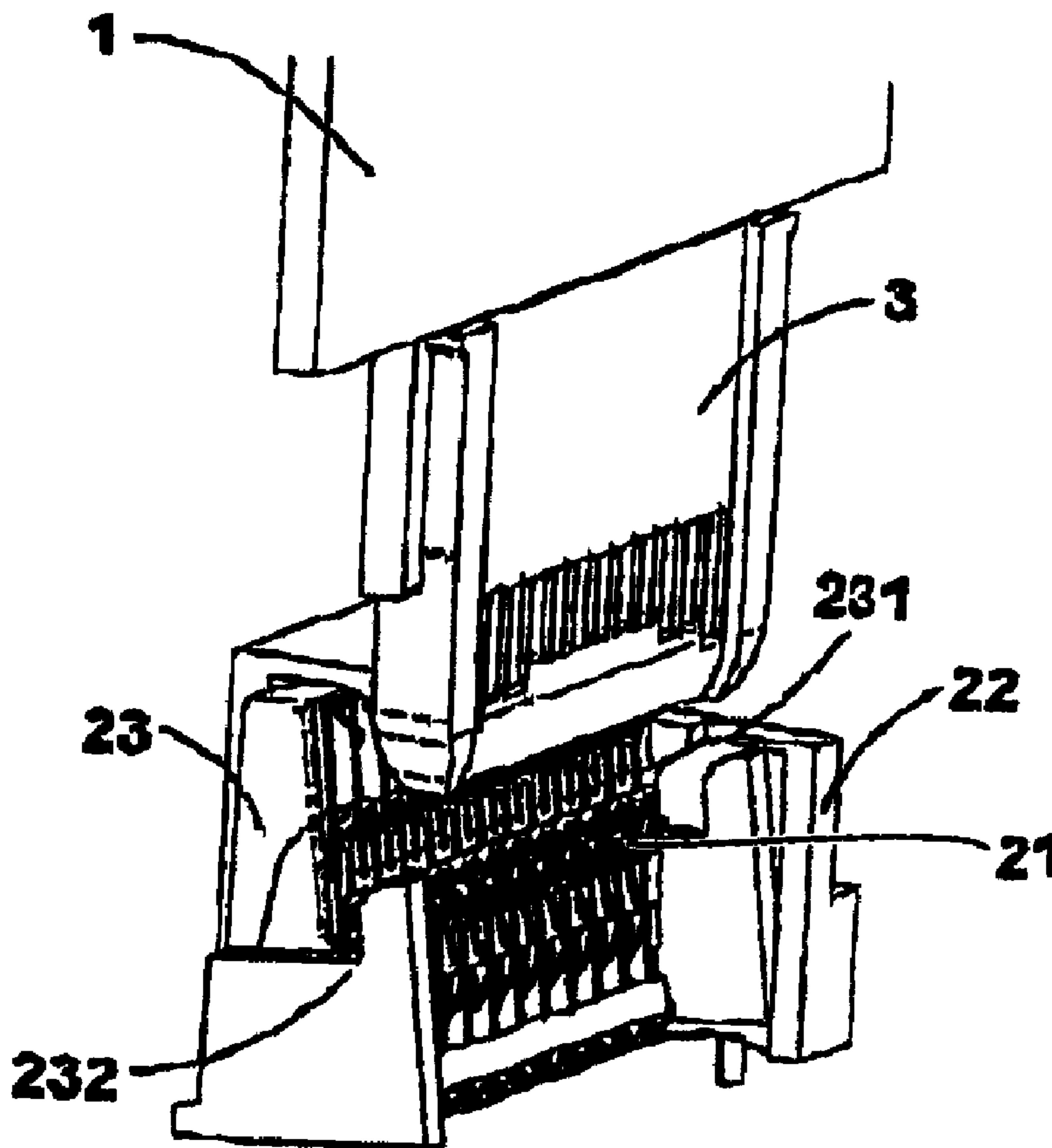




(86) Date de dépôt PCT/PCT Filing Date: 2001/02/09
 (87) Date publication PCT/PCT Publication Date: 2001/08/16
 (45) Date de délivrance/Issue Date: 2008/08/12
 (85) Entrée phase nationale/National Entry: 2002/08/06
 (86) N° demande PCT/PCT Application No.: IB 2001/000159
 (87) N° publication PCT/PCT Publication No.: 2001/059887
 (30) Priorité/Priority: 2000/02/11 (DE100 06 190.7)

(51) Cl.Int./Int.Cl. *H01R 24/00* (2006.01),
H01R 12/16 (2006.01), *H05K 1/11* (2006.01)
 (72) Inventeurs/Inventors:
LONGUEVILLE, JACQUES, BE;
OCKET, TOM, BE;
HOOLHORST, ALBERT, NL
 (73) Propriétaire/Owner:
TYCO ELECTRONICS BELGIUM EC N.V., BE
 (74) Agent: SMART & BIGGAR

(54) Titre : CARTE DE CIRCUIT IMPRIME ET ENSEMBLE DE CONNECTEURS
 (54) Title: PRINTED CIRCUIT BOARD AND CONNECTOR ASSEMBLY



(57) Abrégé/Abstract:

It is desirable that printed circuit board zero force connectors be produced more compactly and easily and be operated reliably. This object is achieved by the use of a printed circuit board having contact surfaces thereupon, an attachment, and a printed circuit

(57) **Abrégé(suite)/Abstract(continued):**

board zero force connector. The assembly includes the printed circuit board zero force connector that carries contact elements arranged and configured in such a way that they are moved by an attachment mounted on the printed circuit board as the printed circuit board is plugged into the printed circuit board zero force connector and/or as the printed circuit board is removed from the printed circuit board zero force connector.

74508-22

ABSTRACT

It is desirable that printed circuit board zero force connectors be produced more compactly and easily and be operated reliably. This object is achieved by the use of
5 a printed circuit board having contact surfaces thereupon, an attachment, and a printed circuit board zero force connector. The assembly includes the printed circuit board zero force connector that carries contact elements arranged and configured in such a way that they are moved by an
10 attachment mounted on the printed circuit board as the printed circuit board is plugged into the printed circuit board zero force connector and/or as the printed circuit board is removed from the printed circuit board zero force connector.

- 1 -

PRINTED CIRCUIT BOARD AND
CONNECTOR ASSEMBLY

5 The invention relates to a printed circuit board
and a printed circuit board zero force connector. :

Countless embodiments of printed circuit board
assemblies of the aforementioned type have been known
for many years. Printed circuit board connectors are
used for connecting to printed circuit boards. In
10 particular, if a very large number of surface contacts
on the printed circuit board are to be contacted by
associated contact elements of the printed circuit board
connector, it is known to use so-called printed circuit
board zero force connectors. Printed circuit board zero
15 force connectors have likewise been known for many years
in countless embodiments and are described, for example,
in DE 195 11 509 A1, DE 197 25 123 A1, DE 197 25 132 A1
and DE 197 25 138 A1.

US 5,160,275 describes a printed circuit board and
20 connector assembly, comprising a printed circuit board
with surface contacts arranged thereupon and a printed
circuit board connector having a receiving region
wherein the printed circuit board is inserted and a
plurality of contact elements displaceable away and
25 towards the receiving region for insertion or removal of
the printed circuit board or engagement of the surface
contacts. The printed circuit board is provided with an
attachment in the vicinity of that portion of the
printed circuit board to be inserted into the printed
30 circuit board connector, where the attachment and the
contacts are in direct cooperation during insertion and
removal to displace the contacts.

-1a-

Printed circuit board zero force connectors have the particular feature that their contact elements are arranged on one or more movable parts and can be moved together with them. By moving the parts carrying the contact element, the printed circuit board zero force connector can be brought from an assembly position allowing an printed circuit board to be plugged into, or removed from a connecting position without the contacts touching the printed circuit board (zero insertion force). The parts carrying the contact elements may then be moved by the actuation of an actuating mechanism, for example a rod, which is mounted externally on the printed circuit board zero force connector and/or on the printed circuit board, so the connection is made. An actuating mechanism of this type requires a relatively large amount of space and also has to be operated following quite specific sequencing; otherwise, the

-2-

printed circuit board and/or the printed circuit board zero force connector can be damaged and/or a proper connection is not achieved. This is a considerable drawback of printed circuit board zero force connectors.

5 It is therefore an object of the present invention to find an option by which printed circuit board zero force connectors can be produced more compactly and easily and can be operated more reliably.

10 This object is achieved by the use of a printed circuit board having contact surfaces thereupon, an attachment, and a printed circuit board zero force connector. The assembly includes the printed circuit board zero force connector that carries contact elements arranged and configured in such a way that they are
15 moved by an attachment mounted on the printed circuit board as the printed circuit board is plugged into the printed circuit board zero force connector and/or as the printed circuit board is removed from the printed circuit board zero force connector.

20 Since the printed circuit board connector is actuated by the attachment mounted on the printed circuit board as the printed circuit board is plugged into the printed circuit board connector, or as the printed circuit board is removed from the printed
25 circuit board connector, there is no need to provide an actuating mechanism for displacing the contacts relative the surface contacts after insertion of the printed circuit board or prior to removal of the printed circuit board.

30 As the printed circuit board connector is actuated by the attachment provided on the printed circuit board it is advantageous that the attachment can be produced independently and then placed on the printed circuit board in such a way that neither the printed circuit
35 board nor the attachment risks being damaged by

74508-22

3

actuation of the printed circuit board connector. An appropriate configuration and arrangement of the attachment reliably prevents the printed circuit board from rubbing against the printed circuit board connector (and the contacts therein) when being inserted into or removed from the printed circuit board connector. This possibility can never be completely ruled out in conventional printed circuit board connectors and when it occurs will sooner or later damage and/or reduce the functioning of the printed circuit board and/or of the printed circuit board connector.

As a result of the proposed innovations, printed circuit board zero force connectors can be produced compactly, easily, with less complexity, and can be operated more reliably. Advantageous developments of the invention can be inferred from the sub-claims, the following description and the figures.

In one broad aspect, there is provided a printed circuit board and connector assembly comprising: a printed circuit board with surface contacts arranged thereupon, a printed circuit board connector having a receiving region for receiving a portion of the printed circuit board, a plurality of contact elements displaceable away and towards the receiving region for insertion or removal of the printed circuit board or engagement of the surface contacts, the printed circuit board having an attachment in a vicinity of the portion of the printed circuit board that is to be inserted into the printed circuit board connector, wherein the attachment and the connector cooperate during insertion and removal to displace the contacts, wherein a first contact carrier carries the contact elements, the attachment includes a biasing surface, the first contact carrier includes a tab extending into the receiving region, and the biasing surface and the tab cooperate to displace the

74508-22

3a

contact elements during insertion of the printed circuit board, the attachment further includes a lateral projection and the first contact carrier includes an arm that cooperates with the lateral projection to displace the contact elements toward the receiving region during insertion of the printed circuit board, and the attachment includes one or more recesses for receiving the tab upon full insertion of the printed circuit board into the connector.

10 The invention will be described in more detail hereinafter by embodiments with reference to the figures, in which:

15 Figure 1 shows a printed circuit board with an attachment that can be slipped thereupon and a printed circuit board zero force connector for contacting the printed circuit board;

 Figure 2 shows the printed circuit board positioned to be inserted into the printed circuit board zero force connector;

20 Figure 3 shows initial insertion of the printed circuit board into the printed circuit board connector;

 Figure 4 shows further insertion of the printed circuit board into the printed circuit board connector;

25 Figure 5 shows a front view of the fully inserted printed circuit board;

 Figure 6 shows a back view of the fully inserted printed circuit board corresponding to figure 5;

Figure 7 shows a modified configuration of the printed circuit board zero force connector.

The printed circuit board described hereinafter is a printed circuit board which is designed to be connected via a printed circuit board zero force connector to another printed circuit board or a different component of the system containing the printed circuit board. The printed circuit board is connected to the printed circuit board zero force connector via surface contacts provided on the printed circuit board. The surface contacts are arranged in such a way that they can be contacted by contact elements of a printed circuit board zero force connector. The printed circuit board zero force connector is normally mounted on another printed circuit board (not shown in the figures) to which it is desired that the currently considered printed circuit board is to be connected.

For the sake of completeness, it is mentioned at this point that only the components of the considered printed circuit board and of the considered printed circuit board zero force connector, which are of particular interest here, are shown and described. The components of the printed circuit board and of the printed circuit board zero force connector which are not shown do not have special features and do not require further explanation.

The currently considered printed circuit board is provided, in the region that includes the surface contacts and comes to rest in the printed circuit board connector, with an attachment. The attachment provides that the printed circuit board connector can be brought from an assembly position where the printed circuit board can be plugged into or removed from a connecting position.

The currently considered printed circuit board zero force connector has parts carrying the contact elements that are arranged and configured in such a way that the parts and associated contacts are moved by the attachment mounted on the printed circuit board, as the printed circuit board is plugged into or as removed from the printed circuit board zero force connector.

The currently considered printed circuit board, the attachment to be placed on it and the printed circuit board zero force connector are shown in Figure 1. The printed circuit board 1, has surface contacts 11 provided thereupon. An attachment 3 which can be placed on the printed circuit board 1 is shown adjacent thereto. Also shown is a printed circuit board zero force connector 2.

In the considered example, the attachment 3 is a cap or sleeve-like member that is preferably produced from plastic. The attachment 3 can be slipped onto the printed circuit board 1 in the region of the surface contacts 11. The printed circuit board 1 with the cap 3 slipped on is shown in Figures 2 to 6. The attachment 3 has recesses 31 at the positions which come to rest above the surface contacts 11 of the printed circuit board 1 once the attachment 3 has been slipped onto the printed circuit board. The contact elements 21 (Figure) of the printed circuit board connector 2 come into contact with the surface contacts 11 of the printed circuit board 1 through these recesses 31. The attachment 3 is attached to the printed circuit board 1 by a pin, not shown in the figures, that engages hole 12 in the printed circuit board 1.

As can be seen in Figure 2, the printed circuit board zero force connector 2 includes, in addition to the above-mentioned contact elements 21, a housing 22 and a contact carrier 23 that carries the contact

elements 21. The contact carrier 23 can be moved, together with the contact elements 21 carried by it, relative to the housing 22. In the considered example, the movement of the contact carrier 23 occurs by plugging a printed circuit board 1 into the printed circuit board zero force connector 2 and by removing the printed circuit board 1 from the printed circuit board zero force connector 2. This is described in more detail hereinafter with reference to Figures 2 to 6.

Figure 2 also shows the state in which the insertion of a printed circuit board 1 provided with the attachment 3 into the printed circuit board zero force connector 2 has just begun. As shown in Figure 2, the printed circuit board 1 does not yet contact the contact carrier 23.

Upon further insertion of the printed circuit board 1 into the printed circuit board zero force connector 2, a leading end of the attachment 3, with respect to the direction of insertion, abuts a tab 231 that is provided in an upper region of the contact carrier 23. The tab 231 extends from the contact carrier 23 into a receiving region of the printed circuit board zero force connector 2. The receiving region is passed through by the printed circuit board 1 when the printed circuit board is inserted into the printed circuit board zero force connector. As attachment 3 and tab 231 act upon one another, the tab 231 is deflected to one side during insertion and is held in this position. The contact carrier 23 is pivoted to the side by the force exerted upon the tab 231, thereby enabling the printed circuit board to be inserted further into the printed circuit board zero force connector without or, in any case, without significant expenditure of force to overcome insertion forces exerted by the contacts 21. The printed circuit board zero force connector is thus set into an

assembly position that allows the insertion, or removal, of an printed circuit board. This state is shown in Figure 3.

As insertion of the printed circuit board 1 continues, a lateral projection 32 upon attachment 3 impinges on an arm 232 provided in a lower region of the contact carrier 23 that, similarly to the tab 231 of the contact carrier 23, extends into the receiving region of the printed circuit board zero force connector. The printed circuit board 1 also passes through this portion (where arm 232 is located) of the receiving region as the printed circuit board is plugged into the printed circuit board zero force connector 2. This is shown in Figure 4.

As insertion of the printed circuit board 1 into the printed circuit board zero force connector 2 continues, the attachment 3 by way of lateral projection 32 presses arm 232 downwards. This results in the contact carrier 23 pivoting causing the upper part of the contact carrier 23 to pivot toward the printed circuit board 1. Figure 5 shows the state in which this occurred. As the contact carrier 23 pivots, tab 231 of the contact carrier 23, which until now has been out of the way by the attachment 3, passes into an associated recess 33 in the attachment 3. This is shown in Figure 6.

The speed and the course of the pivoting movement of the contact element carrying part 23 can be adjusted owing to the shape of the attachment 3 (lateral projection 32) and owing to the shape of the arm 232 of the contact carrier 23. In the considered example, the lateral projection 32 of the attachment 3 and the arm 232 of the contact carrier 23 are configured in such a way that insertion of the printed circuit board 1 into the printed circuit board zero force connector 2 at

constant speed initially brings about relatively rapid deflection of the contact carrier 23 and then, comparatively slow, and increasingly slow, pivoting of the contact carrier 23. The force that is expended in order to plug the printed circuit board 1 into the printed circuit board zero force connector 2 can therefore be kept constant with a uniform plug-in speed. The increased resistance which has to be overcome during pivoting in this stage is compensated by the comparatively slow pivoting of the contact carrier 23 toward the end of the pivoting process. The increased resistance is caused by the contact elements 21 of the printed circuit board zero force connector 2 that are carried by the contact carrier 23 engaging the printed circuit board 1 and the associated spring forces complicate further pivoting of the contact carrier 23.

In the state shown in Figures 5 and 6 the printed circuit board 1 is in the fully inserted position, and the printed circuit board zero force connector 2 is in its connection position correctly contacting the printed circuit board 1 inserted therein. The contact elements 21 held by the contact carrier 23 are correctly contacting the associated surface contacts 11 of the printed circuit board by extending through the recesses 31 of the attachment 3. In this state, the printed circuit board 1 is seated within the printed circuit board zero force connector 2; the tab 231 of the contact carrier 23 position in the recess 33 in attachment 3 which advantageously prevents the printed circuit board 1 from being released from the printed circuit board zero force connector 2. The retention can be overcome by pulling upon the printed circuit board 1 opposite the direction of insertion (i.e. removal).

The above-mentioned processes are reversed when the printed circuit board 1 is being removed from the

printed circuit board zero force connector 2. It should be mentioned, that the processes now taking place in removing the printed circuit board 1 are now assisted by the contact elements 21 of the printed circuit board zero force connector 2. The spring forces of the contact elements 21, assist the pivoting of the contact carrier 23 from the printed circuit board 1 when the force pressing the arm 232 downward and holding it down wanes and finally disappears upon removal of the printed circuit board 1 from the printed circuit board zero force connector 2.

It should be obvious that the described printed circuit board and the described printed circuit board zero force connector can be varied in many ways with substantially the same functioning and mode of operation. In particular, there is no restriction on how the attachment 3 is formed. Either a cap, which can be slipped onto the printed circuit board, or for example, one or more plate-like elements or other discrete components which are placed onto the printed circuit board can also be used instead of a cap. It would also be conceivable to form the attachment not by a separate part but, for example, by injection moulding a corresponding configuration onto the printed circuit board or forming the printed circuit board in a particular manner. Furthermore, there is no restriction to the described type of connection between the printed circuit board 1 and the attachment 3. The printed circuit board 1 and the attachment 3 can basically be connected detachably or non-detachably to one another in any way, for example by clamping, pressing into one another, adhesion, etc.

Furthermore, there is no restriction that the printed circuit board 1 has surface contacts 11 only on one side. The printed circuit board 1 can be provided

-10-

with surface contacts 11 on both sides and the printed circuit board connector 2 can be designed to make contact with printed circuit boards 1 of this type. A printed circuit board connector of this type can be produced, for example, by providing, opposite the (first) contact carrier 23, a second contact carrier which moves symmetrically to the first contact carrier when a printed circuit board is plugged in and removed; a contact carrier part of this type is shown in Figure 7.

Owing to the above-described features of the printed circuit board and of the printed circuit board zero force connector it is possible, regardless of the details of practical production, to produce printed circuit board zero force connectors particularly compactly and easily and to operate them reliably.

74508-22

11

CLAIMS:

1. A printed circuit board and connector assembly comprising:

a printed circuit board with surface contacts
5 arranged thereupon, a printed circuit board connector having
a receiving region for receiving a portion of the printed
circuit board, a plurality of contact elements displaceable
away and towards the receiving region for insertion or
removal of the printed circuit board or engagement of the
10 surface contacts, the printed circuit board having an
attachment in a vicinity of the portion of the printed
circuit board that is to be inserted into the printed
circuit board connector, wherein the attachment and the
connector cooperate during insertion and removal to displace
15 the contacts, wherein a first contact carrier carries the
contact elements, the attachment includes a biasing surface,
the first contact carrier includes a tab extending into the
receiving region, and the biasing surface and the tab
cooperate to displace the contact elements during insertion
20 of the printed circuit board, the attachment further
includes a lateral projection and the first contact carrier
includes an arm that cooperates with the lateral projection
to displace the contact elements toward the receiving region
during insertion of the printed circuit board, and the
25 attachment includes one or more recesses for receiving the
tab upon full insertion of the printed circuit board into
the connector.

2. The printed circuit board and connector assembly
of claim 1, wherein the one or more recesses and the tab
30 cooperate to retain the printed circuit board in the
connector.

74508-22

12

3. The printed circuit board and connector assembly of claim 1, wherein the one or more recesses correspond to the surface contacts.

4. The printed circuit board and connector assembly
5 of claim 1, wherein the printed circuit board has surface contacts on both sides and the connector has a second contact carrier arranged in an opposed position with the first contact carrier.

5. The printed circuit board and connector assembly
10 of claim 1, wherein the attachment has the form of a cap that can be slipped over the printed circuit board.

6. The printed circuit board and connector assembly of claim 1, wherein the attachment is injection moulded onto the printed circuit board.

SMART & BIGGAR

OTTAWA, CANADA

PATENT AGENTS

1/4

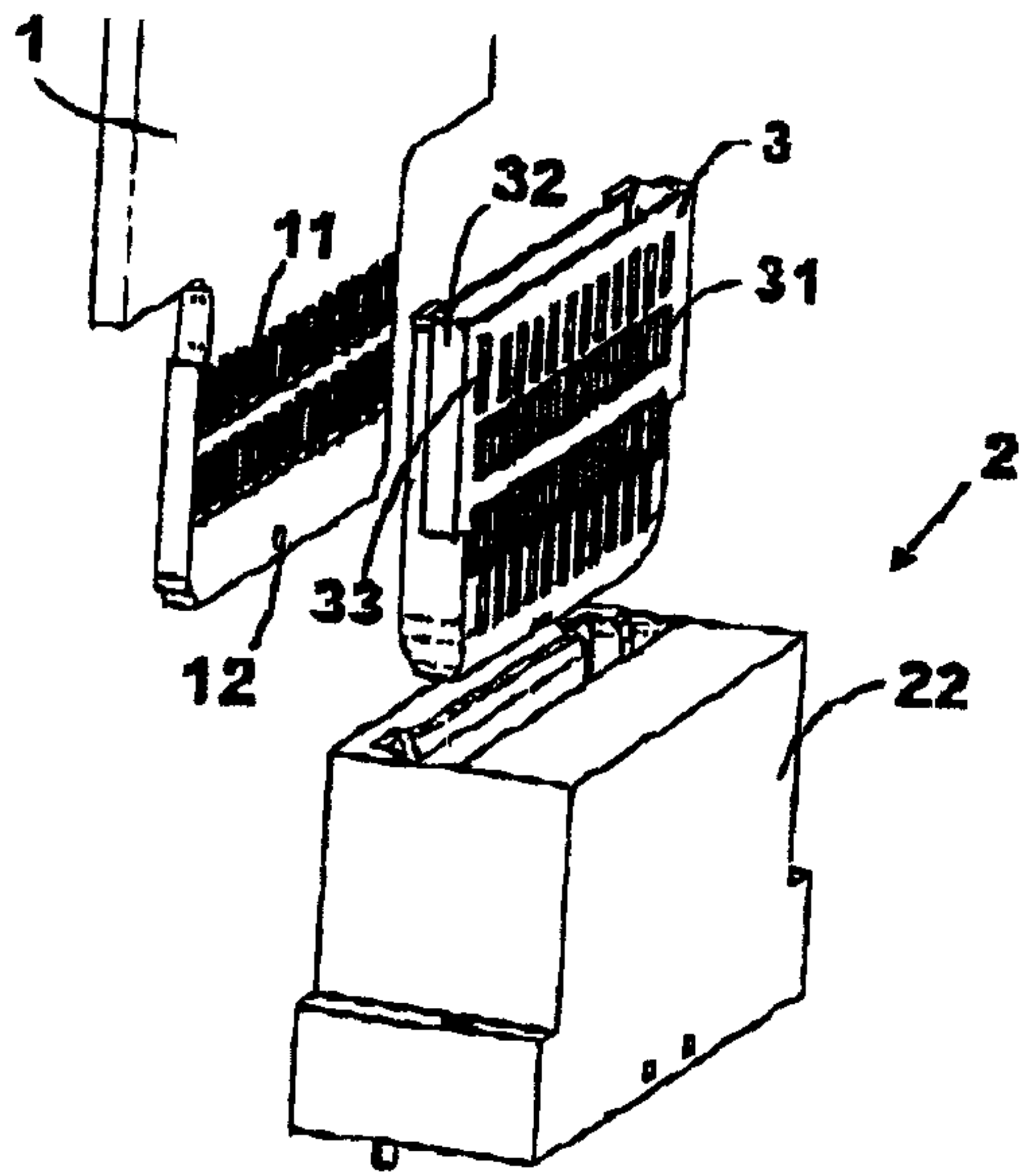


FIG 1

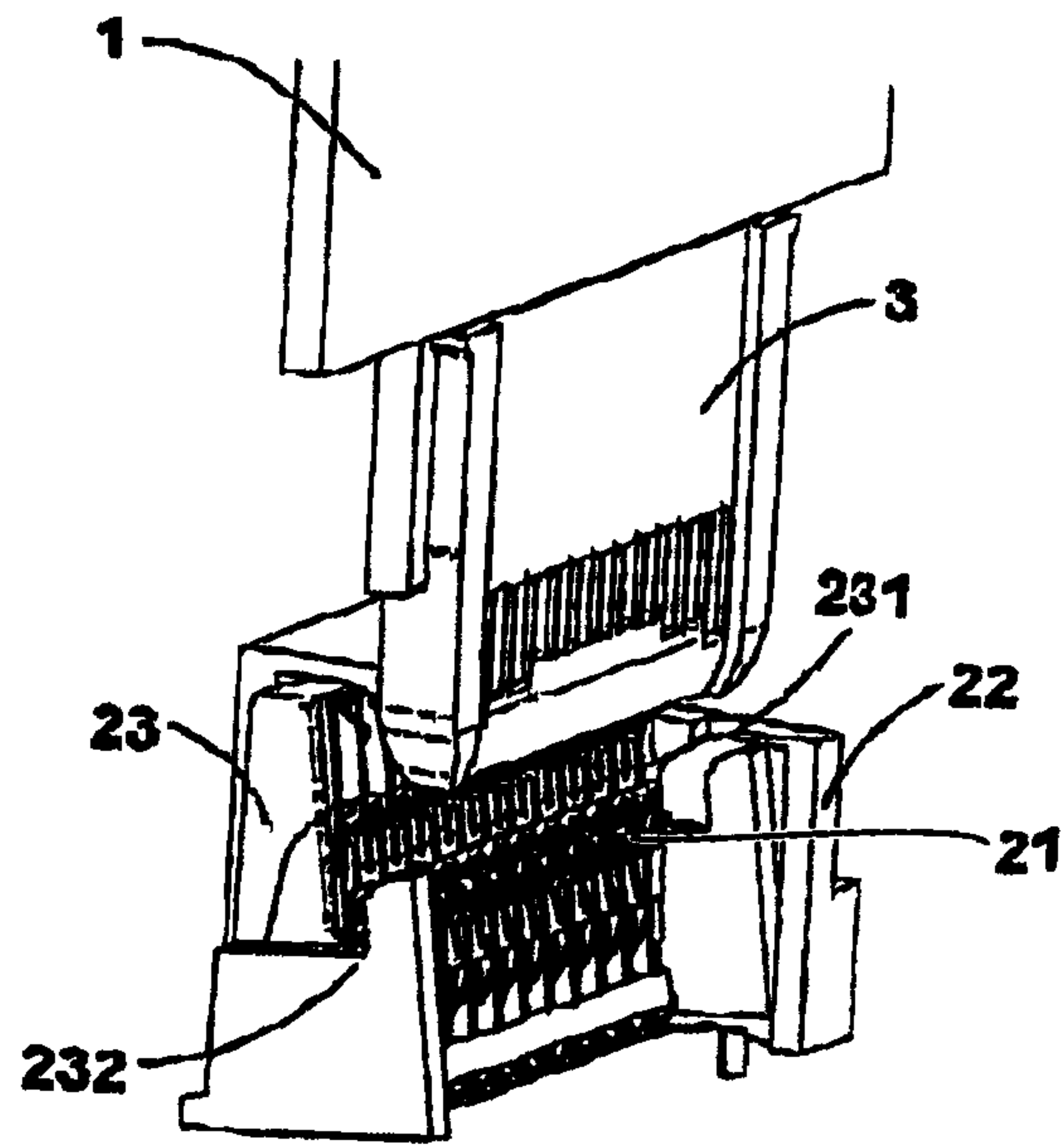


FIG 2

2/4

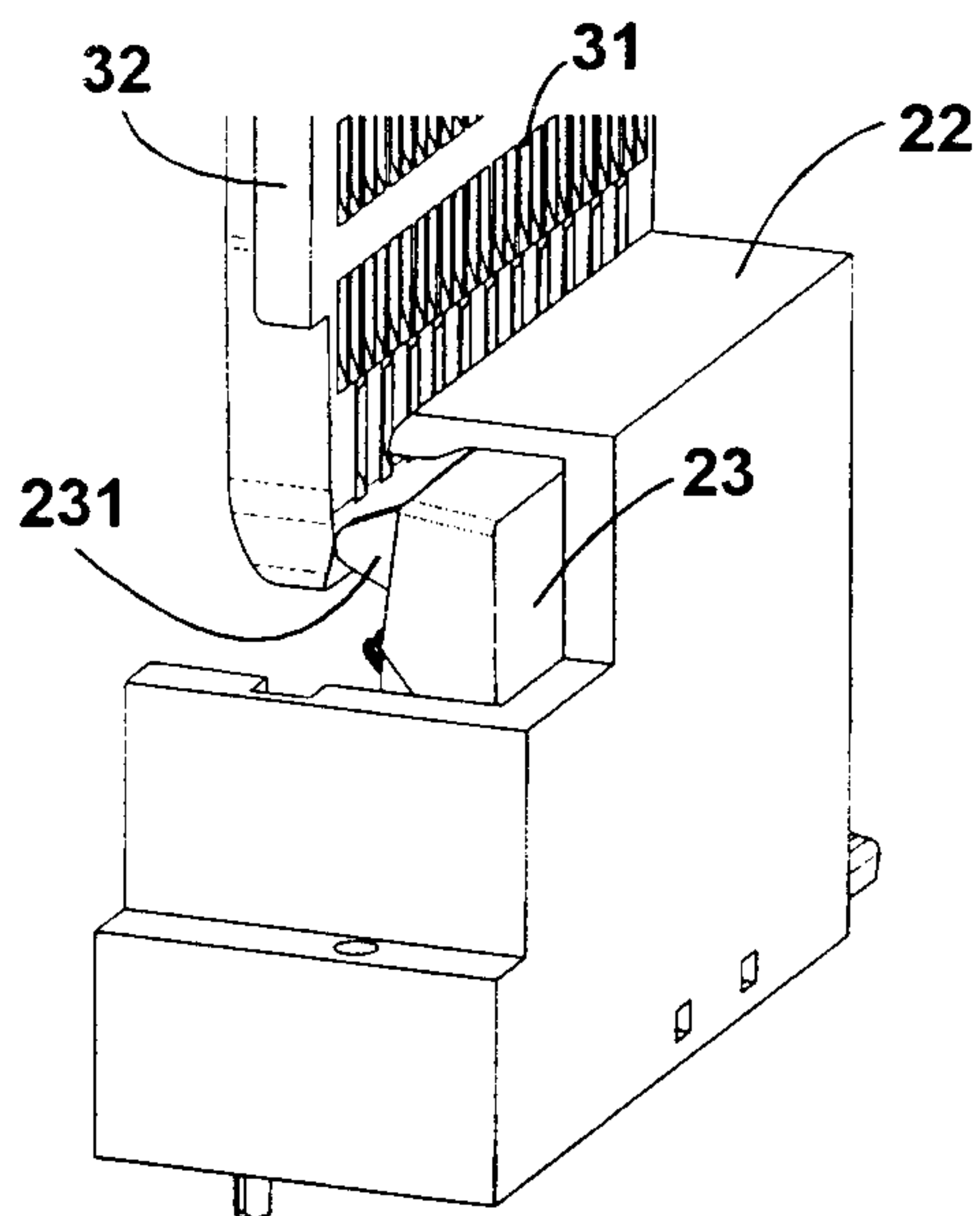


FIG 3

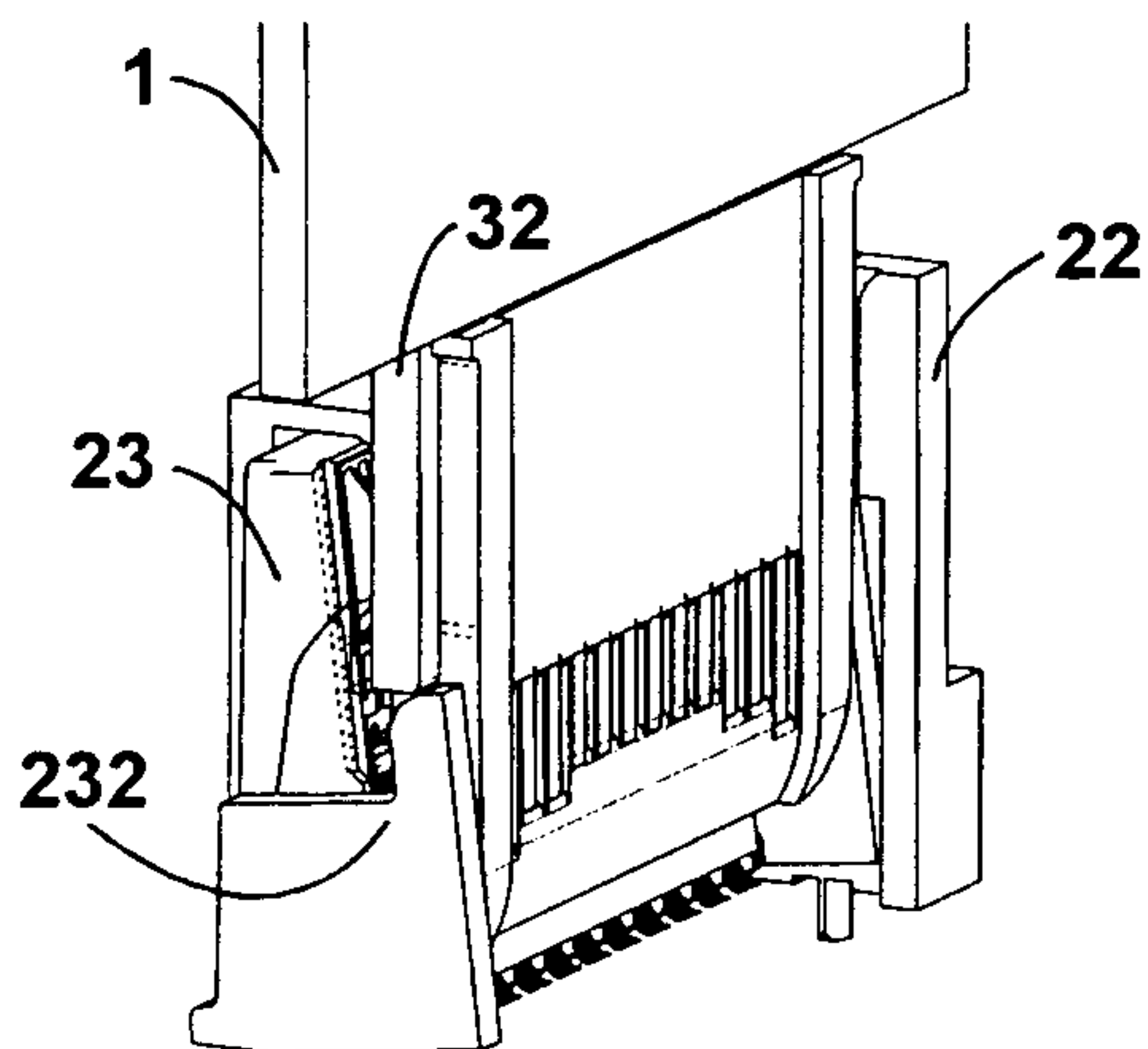


FIG 4

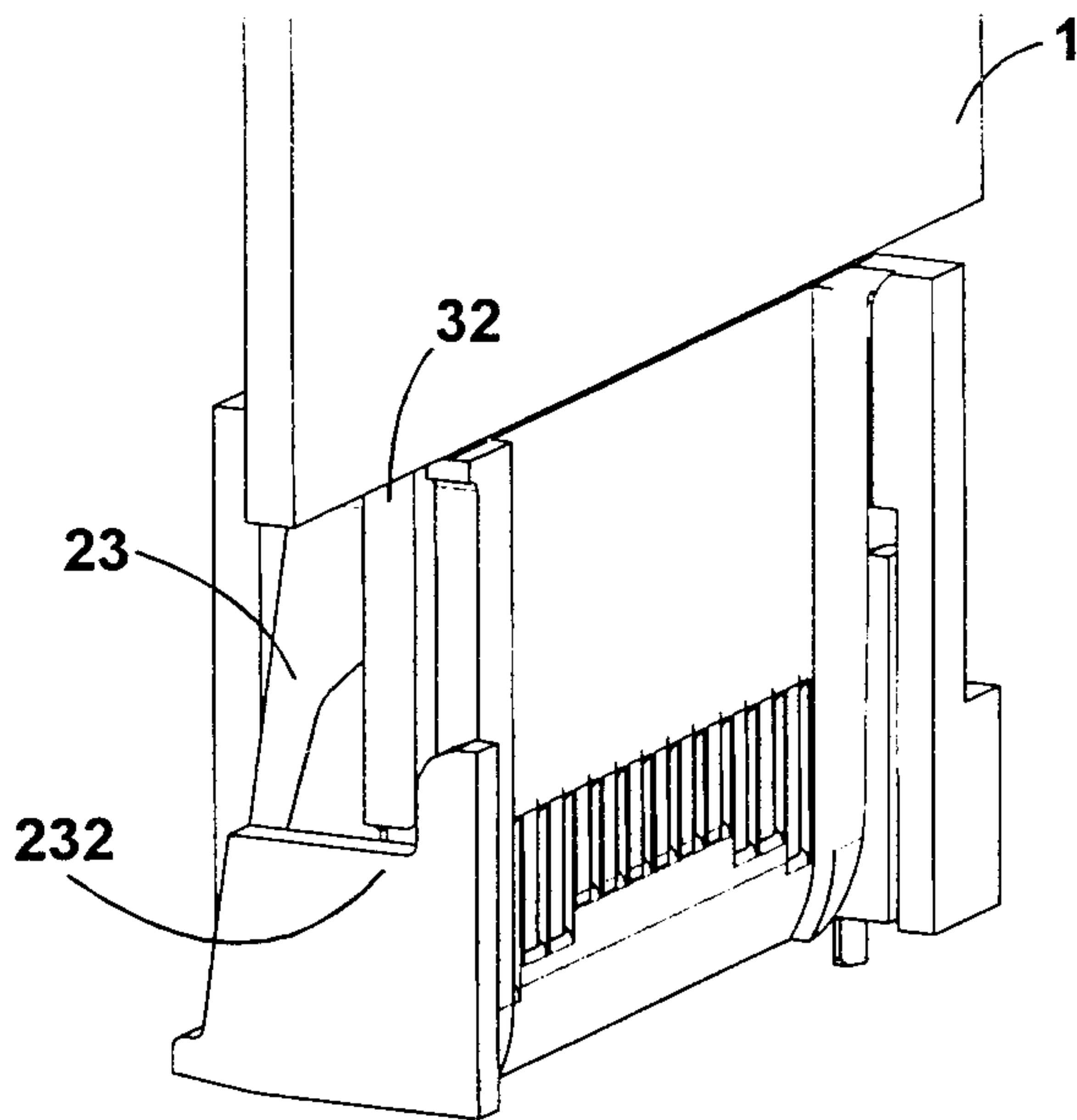


FIG 5

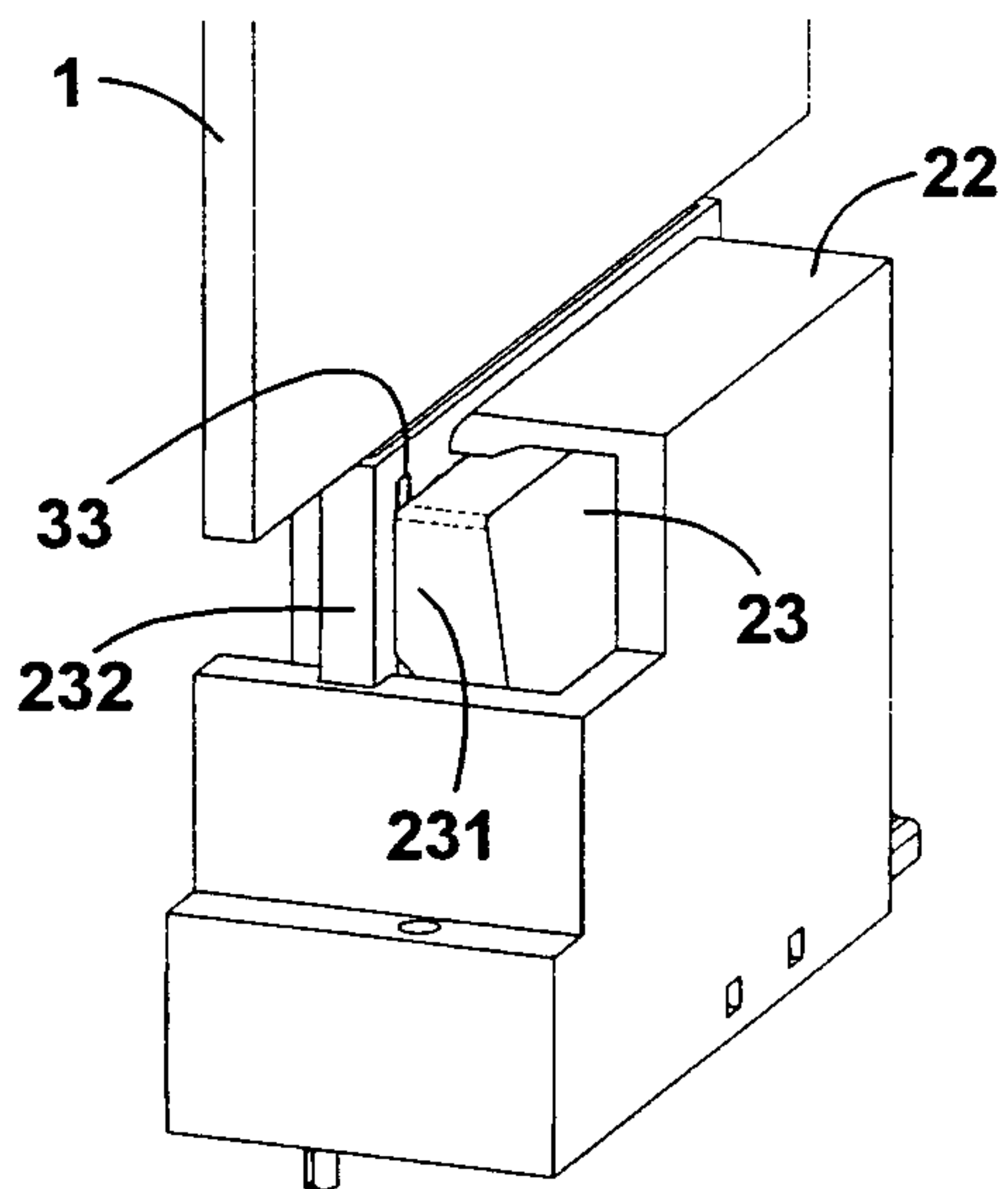


FIG 6

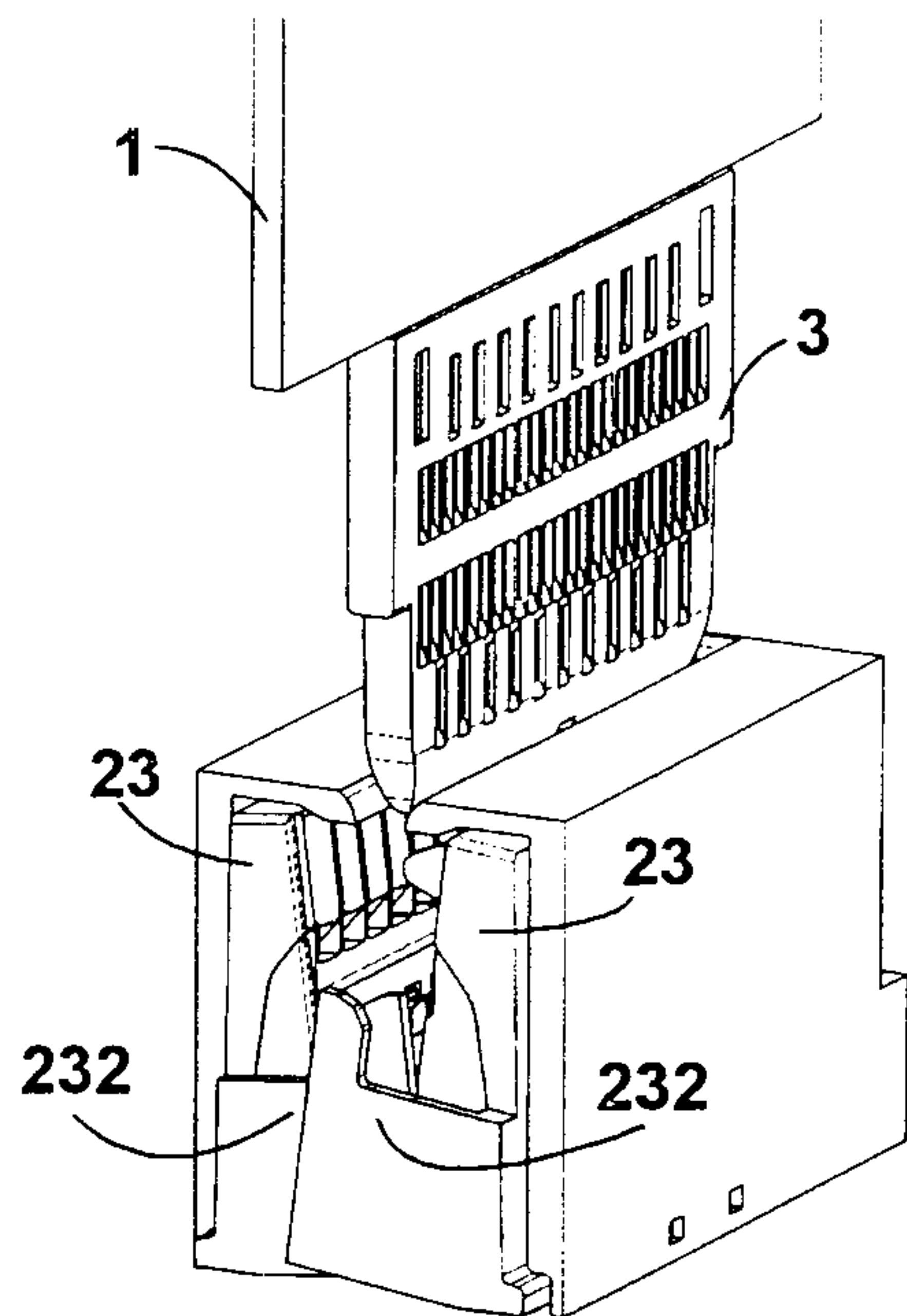


FIG 7

