



US00D640203S

(12) **United States Design Patent**
Wang et al.

(10) **Patent No.:** **US D640,203 S**

(45) **Date of Patent:** **** Jun. 21, 2011**

(54) **ELECTRICAL CONNECTOR**

(56) **References Cited**

(75) Inventors: **Chen-Xi Wang**, Kunshan (CN);
Hong-Qiang Han, Kunshan (CN);
Zi-Qiang Zhu, Kunshan (CN)

(73) Assignee: **Hon Hai Precision Ind. Co., Ltd.**, New
Taipei (TW)

U.S. PATENT DOCUMENTS
D533,841 S * 12/2006 Shiao-Bin D13/154
D539,744 S * 4/2007 Hu et al. D13/147
D555,101 S * 11/2007 Xiao et al. D13/147
D591,685 S * 5/2009 Hung et al. D13/147
D626,919 S * 11/2010 Wang et al. D13/147
D628,538 S * 12/2010 Wang et al. D13/147

* cited by examiner

(**) Term: **14 Years**

Primary Examiner — Daniel D Bui

(21) Appl. No.: **29/378,637**

(74) *Attorney, Agent, or Firm* — Wei Te Chung; Andrew C.
Cheng; Ming Chieh Chang

(22) Filed: **Nov. 8, 2010**

(57) **CLAIM**

The ornamental design for an electrical connector, as shown.

(30) **Foreign Application Priority Data**

DESCRIPTION

May 12, 2010 (CN) 2010 3 0166549

(51) **LOC (9) Cl.** **13-03**

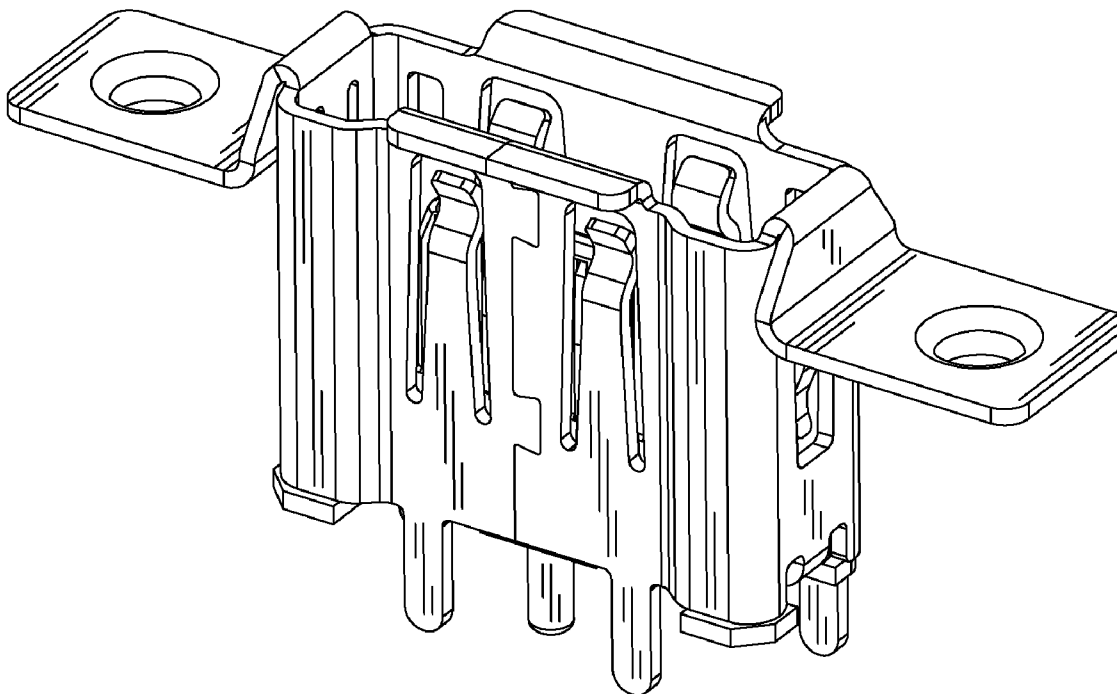
(52) **U.S. Cl.** **D13/147**

(58) **Field of Classification Search** D13/133,
D13/147, 154, 184, 199; 439/108, 527, 533,
439/607.01, 607.04, 607.07, 607.08, 607.09,
439/607.11, 607.13, 607.14, 607.25, 607.31,
439/607.32, 607.36, 607.4, 607.46, 607.58,
439/595, 660, 680, 752, 892, 894

FIG. 1 is a front, top and right side perspective view of an electrical connector showing our new design; FIG. 2 is a front elevational view thereof; FIG. 3 is a rear elevational view thereof; FIG. 4 is a left side elevational view thereof; FIG. 5 is a right side elevational view thereof; FIG. 6 is a top plan view thereof; and, FIG. 7 is a bottom plan view thereof.

See application file for complete search history.

1 Claim, 7 Drawing Sheets



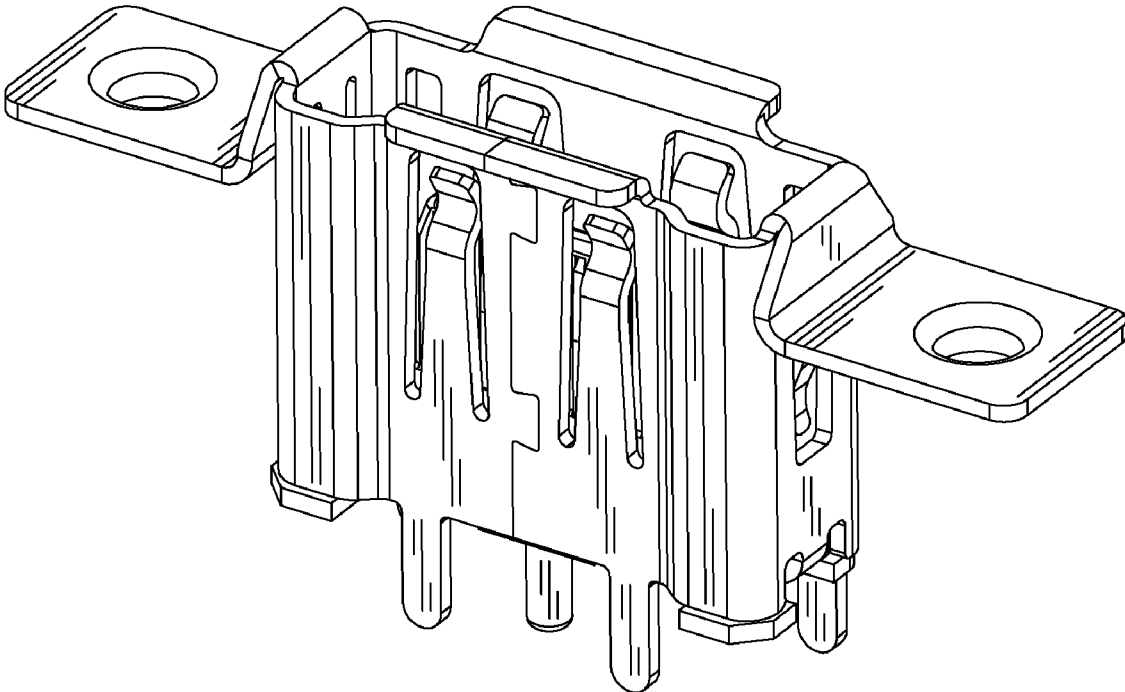


FIG. 1

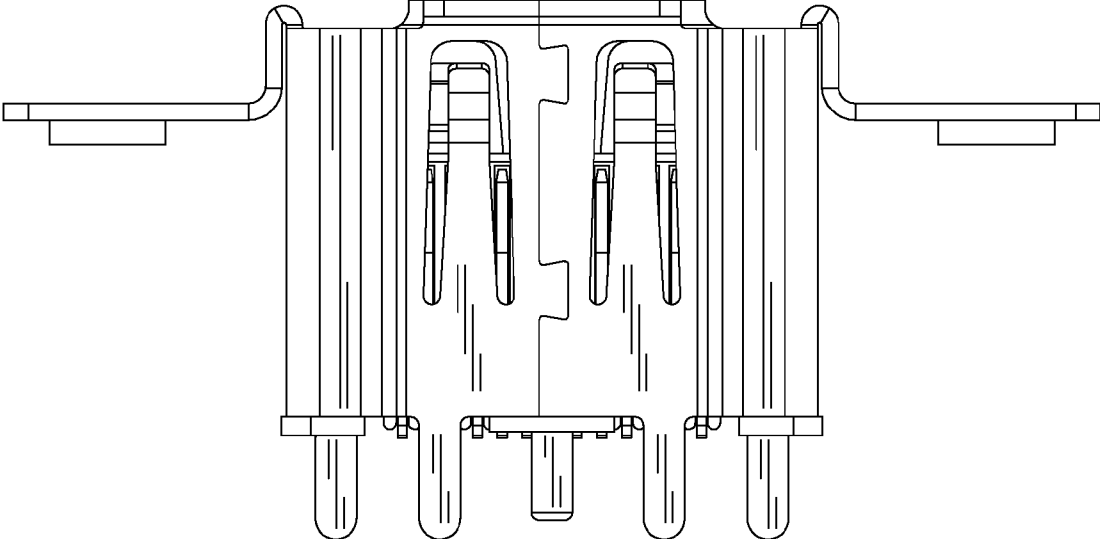


FIG. 2

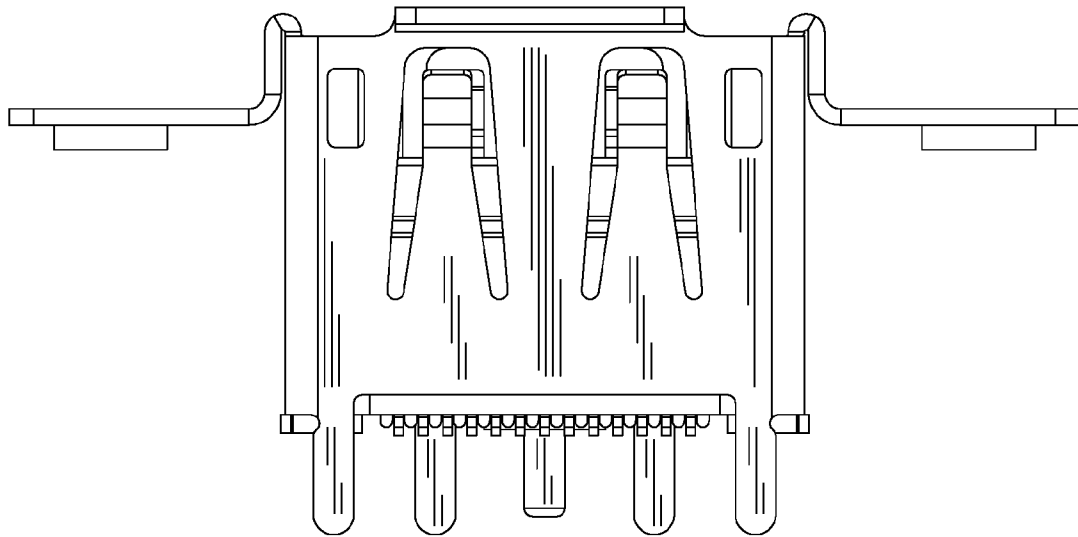


FIG. 3

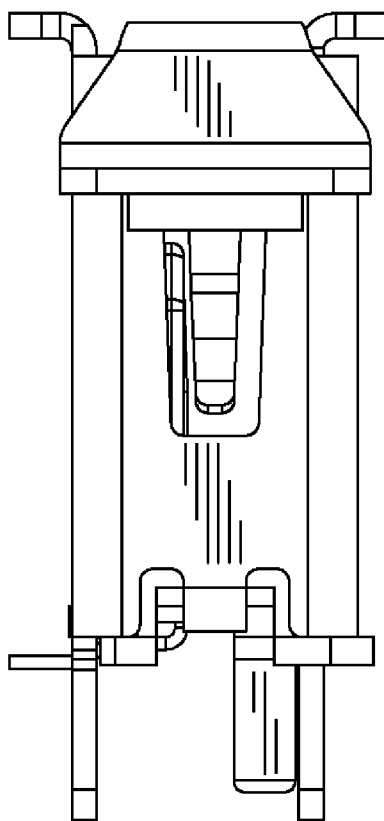


FIG. 4

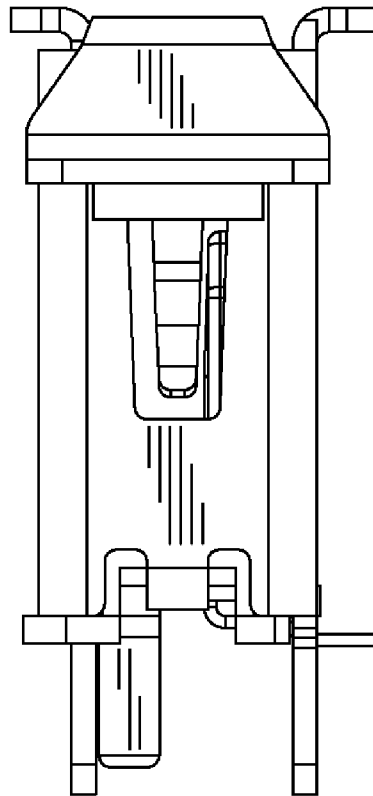


FIG. 5

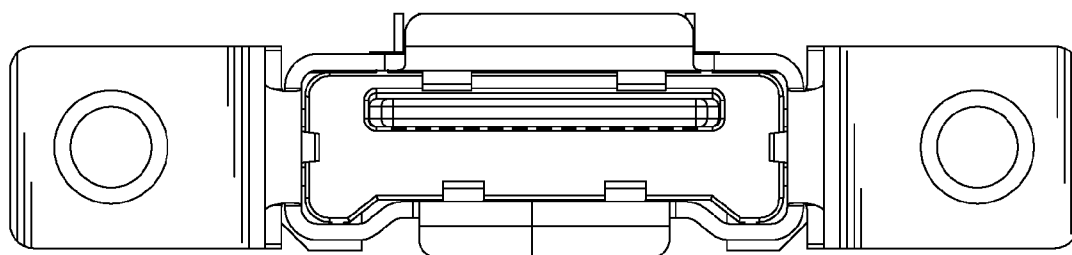


FIG. 6

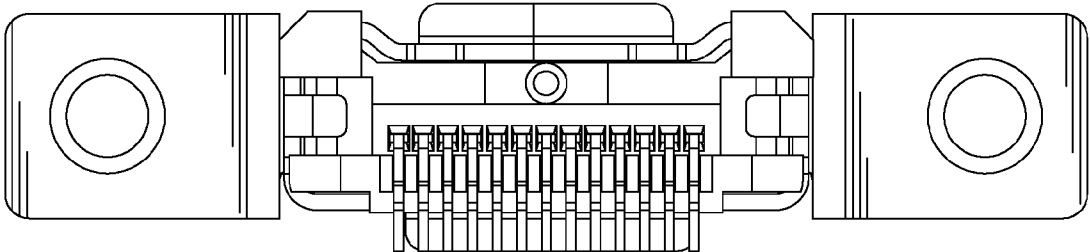


FIG. 7