



US00D936751S

(12) **United States Design Patent**  
**Sisamos**

(10) **Patent No.:** **US D936,751 S**

(45) **Date of Patent:** **\*\* Nov. 23, 2021**

(54) **SNAP-LOCK CONSTRUCTION TOY BEAM CONNECTOR**

D887,498 S \* 6/2020 Vandiver ..... D21/484  
2014/0090630 A1\* 4/2014 Bird ..... F41B 7/08  
124/31

(71) Applicant: **Costas Sisamos**, Limassol (CY)

\* cited by examiner

(72) Inventor: **Costas Sisamos**, Limassol (CY)

*Primary Examiner* — Cynthia M. Chin

(\*\*) Term: **15 Years**

(74) *Attorney, Agent, or Firm* — Eschweiler & Potashnik, LLC

(21) Appl. No.: **29/721,602**

(57) **CLAIM**

The ornamental design for a snap-lock construction toy beam connector, as shown and described.

(22) Filed: **Jan. 22, 2020**

**DESCRIPTION**

(51) **LOC (13) Cl.** ..... **21-01**

(52) **U.S. Cl.**

USPC ..... **D21/492**; D21/504

(58) **Field of Classification Search**

USPC ..... D21/484, 485, 489, 490, 492, 493, 494,  
D21/495, 500, 501, 502, 503, 504  
CPC ..... A63H 33/00; A63H 33/04; A63H 33/06;  
A63H 33/062; A63H 33/08; A63H  
33/084; A63H 33/088; A63H 33/101;  
A63H 33/108; A63H 33/12  
See application file for complete search history.

FIG 1 illustrates a front, top, and right side perspective view of a snap-lock construction toy beam connector according to the present invention.

FIG. 2 illustrates a rear, bottom, and left side perspective view of the snap-lock construction toy beam connector of FIG. 1.

FIG. 3 illustrates a front elevation view of the snap-lock construction toy beam connector of FIG. 1. FIG. 4 illustrates a rear elevation view of the snap-lock construction toy beam connector of FIG. 1.

FIG. 5 illustrates a left side elevation view of the snap-lock construction toy beam connector of FIG. 1.

FIG. 6 illustrates a right side elevation view of the snap-lock construction toy beam connector of FIG. 1.

FIG. 7 illustrates a top elevation view of the snap-lock construction toy beam connector of FIG. 1; and,

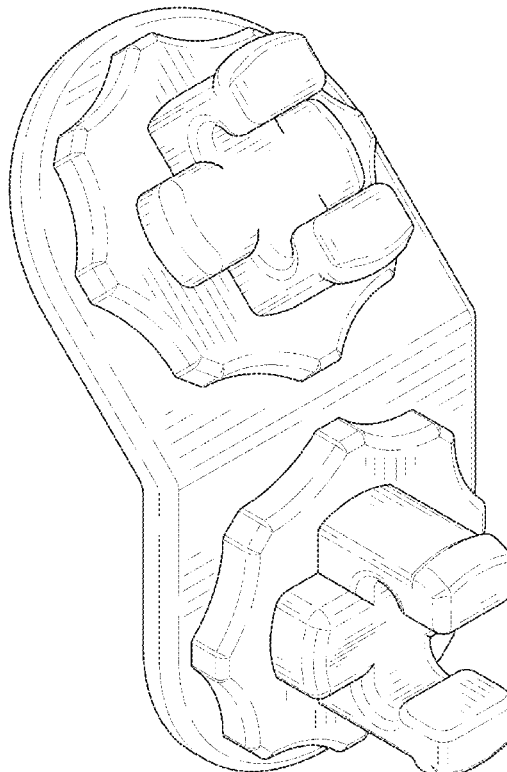
FIG. 8 illustrates a bottom elevation view of the snap-lock construction toy beam connector of FIG. 1.

(56) **References Cited**

**U.S. PATENT DOCUMENTS**

4,802,876 A \* 2/1989 Bertrand ..... A63H 33/08  
446/469  
D667,895 S \* 9/2012 Rya ..... D21/500  
D783,729 S \* 4/2017 Glasband ..... D21/484

**1 Claim, 4 Drawing Sheets**



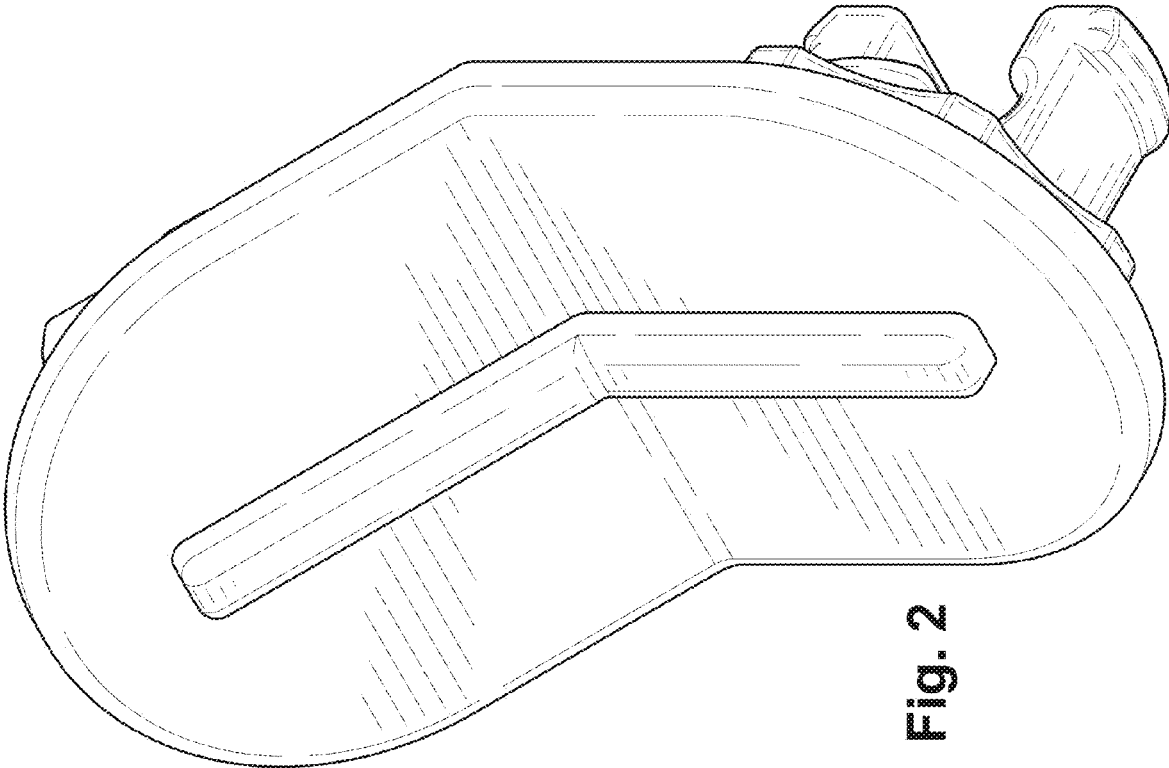


Fig. 2

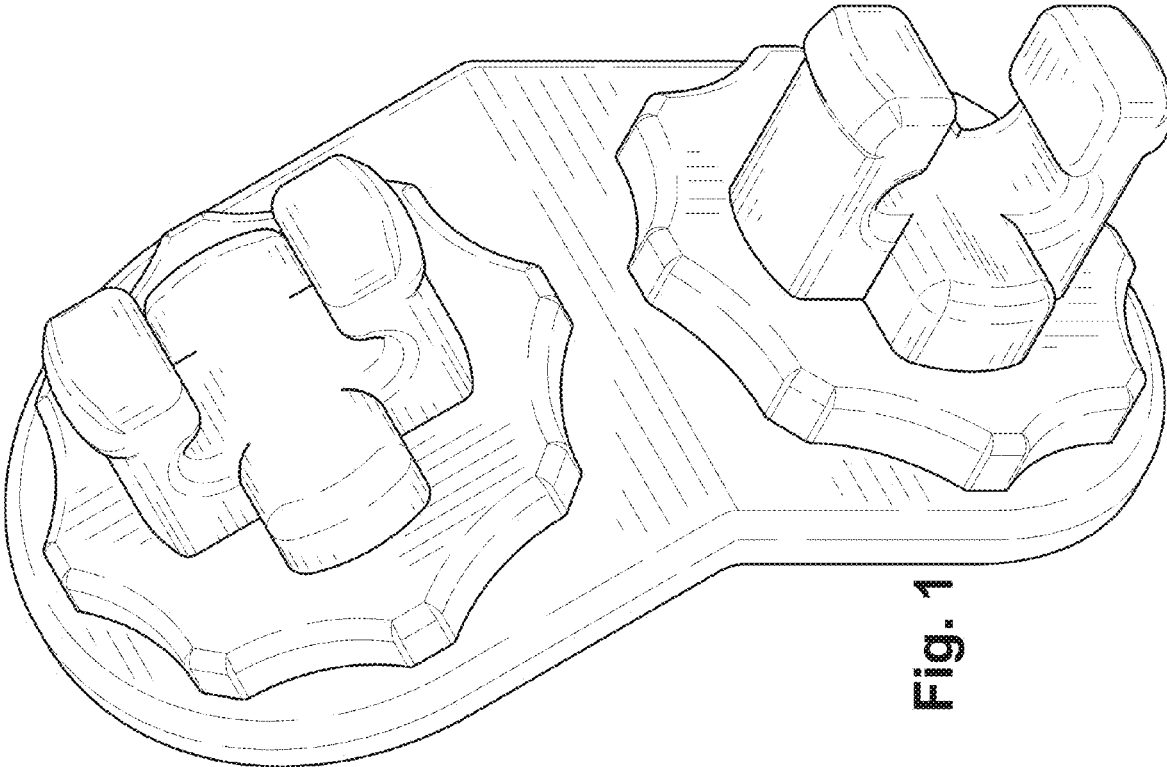


Fig. 1

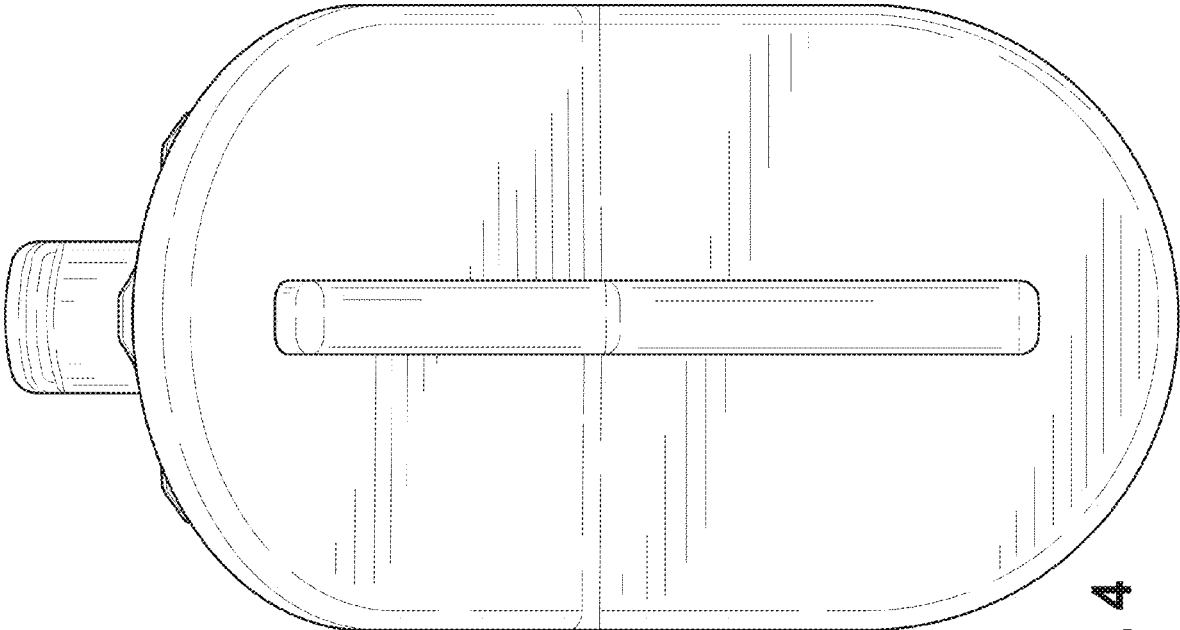


Fig. 4

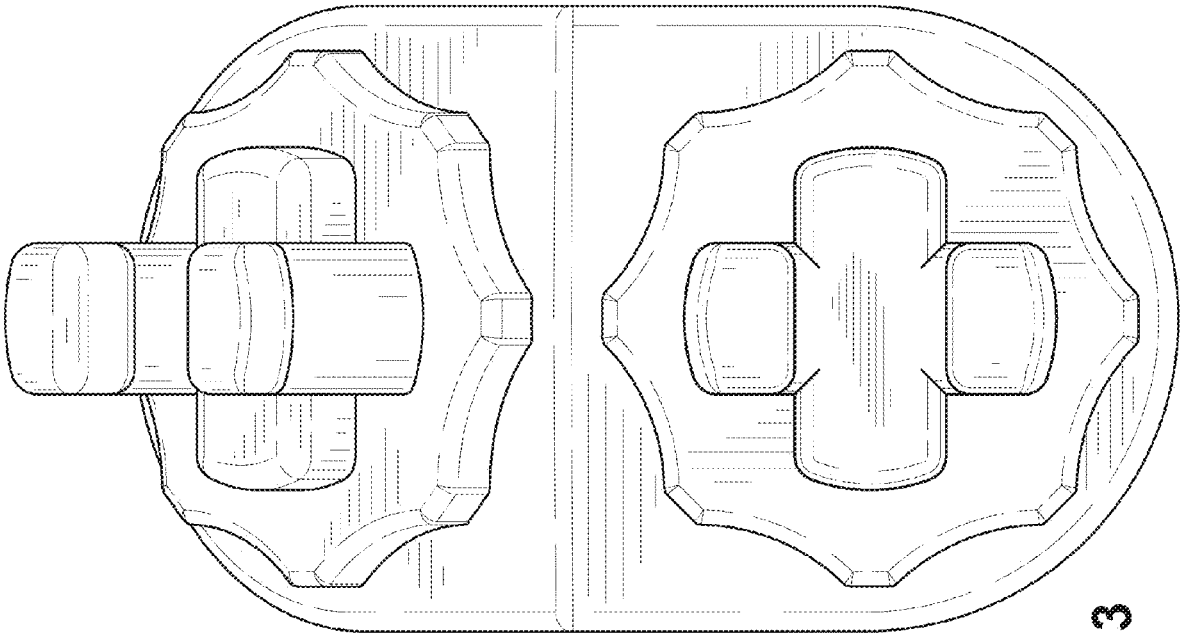


Fig. 3

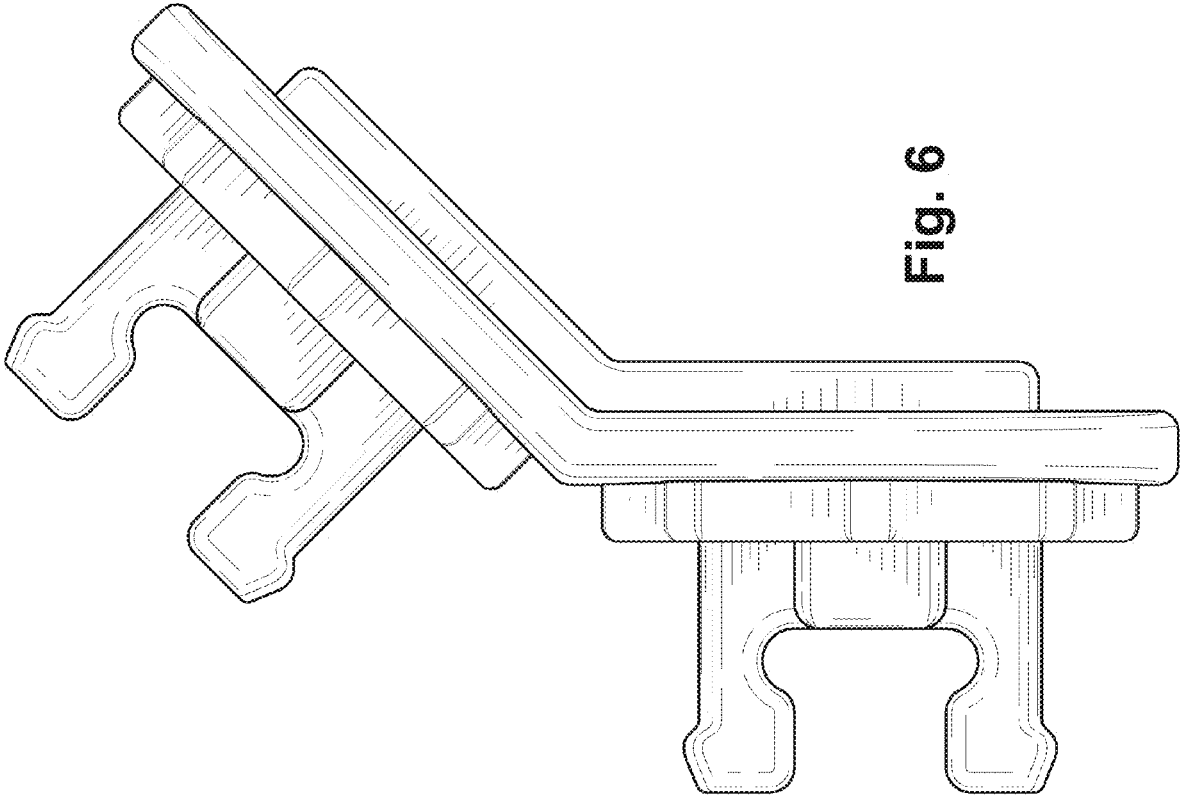


Fig. 6

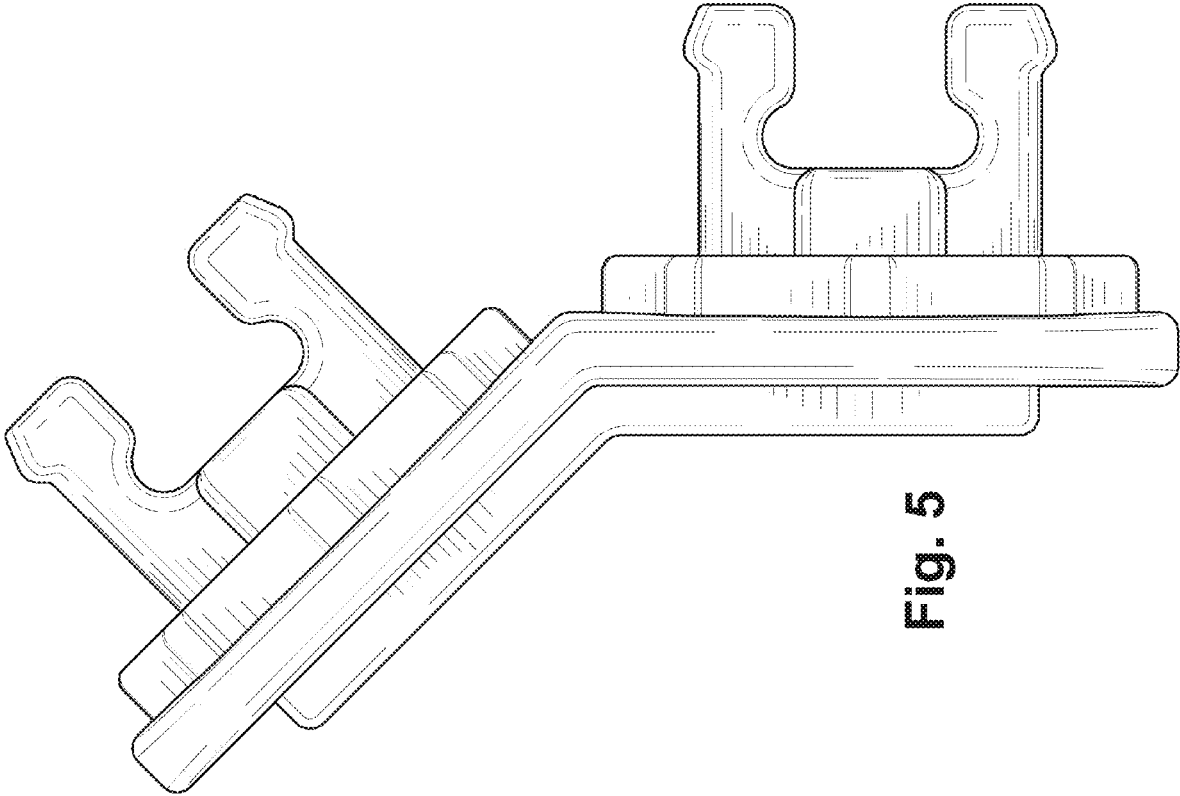


Fig. 5

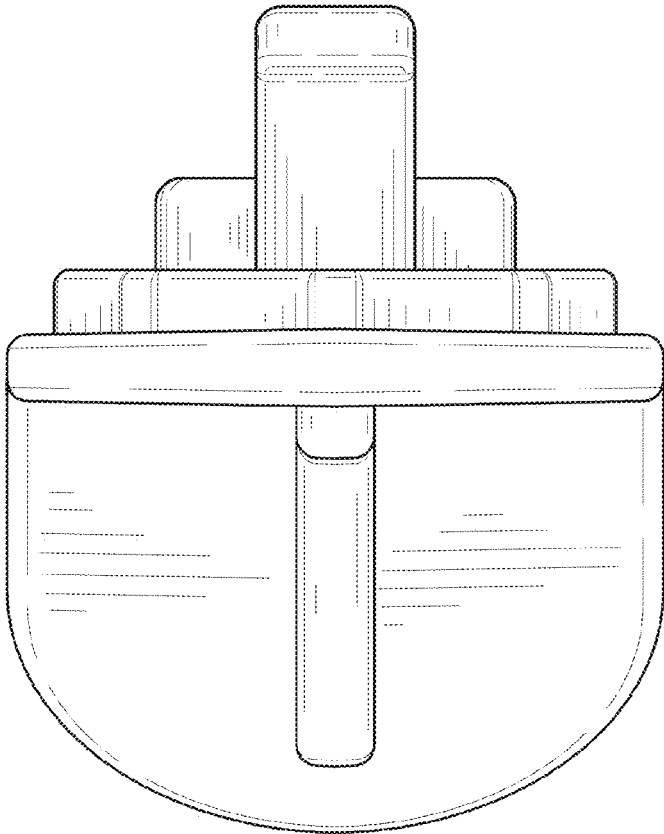


Fig. 8

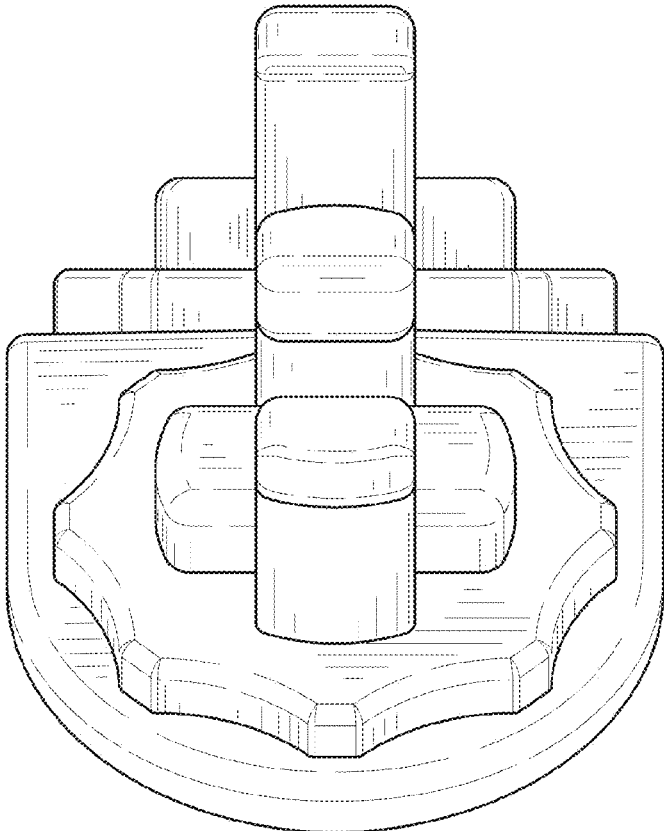


Fig. 7