



US0D1004192S

(12) **United States Design Patent**
Lai

(10) **Patent No.:** **US D1,004,192 S**

(45) **Date of Patent:** **** Nov. 7, 2023**

(54) **HAIR STRAIGHTENER**

(71) Applicant: **Hongqing Lai**, Ganzhou (CN)

(72) Inventor: **Hongqing Lai**, Ganzhou (CN)

(**) Term: **15 Years**

(21) Appl. No.: **29/890,183**

(22) Filed: **Apr. 20, 2023**

(51) **LOC (14) Cl.** **28-03**

(52) **U.S. Cl.**
USPC **D28/35**

(58) **Field of Classification Search**
USPC D28/9, 10, 35
CPC . A45D 2/00; A45D 2/001; A45D 1/00; A45D
1/02; A45D 1/04; A45D 1/06
See application file for complete search history.

(56) **References Cited**

U.S. PATENT DOCUMENTS

D485,011	S	*	1/2004	Nam	D28/35
D581,592	S		11/2008	Hein		
D596,794	S	*	7/2009	Keong	D28/35
D596,798	S	*	7/2009	Keong	D28/35
D596,799	S	*	7/2009	Kwok	D28/35
D605,360	S	*	12/2009	Kwok	D28/35
D607,602	S	*	1/2010	Kwok	D28/35
D672,088	S	*	12/2012	Julemont	D28/35
D716,496	S	*	10/2014	Fung	D28/35
D816,270	S		4/2018	Yue		
D837,448	S	*	1/2019	Maochang	D28/35
D867,659	S	*	11/2019	Zhou	D28/35
D912,896	S	*	3/2021	Zhao	D28/35
D948,786	S	*	4/2022	Huang	D28/35
D970,809	S	*	11/2022	Huang	D28/35
D975,919	S	*	1/2023	Huang	D28/35
D989,393	S	*	6/2023	Wang	D28/35
D989,395	S	*	6/2023	Liang	D28/35
2020/0323324	A1	*	10/2020	Chang	A45D 2/48
2021/0219688	A1	*	7/2021	Courtney	A45D 2/001

OTHER PUBLICATIONS

Faszin Hair Straightener, first available on May 17, 2023 on amazon.co.uk, retrieved from: https://www.amazon.co.uk/Faszin-Straightener-Titanium-Negative-Adjustable/dp/B0C5GTJTVJ/ref=sr_1_3_sspa?crd=3156PUQH5GK0S&keywords=hair+straightener&qid=1691512539&sprefix=hair+straightener%2Caps%2C256&sr=8-3-spons&sp_csd=d2l.*

MHU Hair Straightener, reviewed as early as Oct. 11, 2019 on amazon.com, retrieved from: https://www.amazon.com/Straightener-Tourmaline-Floating-Adjustment-Temperature/dp/B07W6CXYBL/ref=sr_1_65?crd=117R2REMG6R49&keywords=hair+straightener&qid=1691513137&sprefix=hair+straightene%2Caps%2C176&sr=8-65.*

* cited by examiner

Primary Examiner — Alison M Ofstun

(74) *Attorney, Agent, or Firm* — Kunzler Bean & Adamson, PC; Alandra Adams

(57) **CLAIM**

The ornamental design for a hair straightener, as shown and described.

DESCRIPTION

FIG. 1 is a front, left and top perspective view of a hair straightener, showing my design.

FIG. 2 is a rear, right and bottom perspective view thereof.

FIG. 3 is a front elevation view thereof.

FIG. 4 is a rear elevation view thereof.

FIG. 5 is a left side elevation view thereof.

FIG. 6 is a right side elevation view thereof.

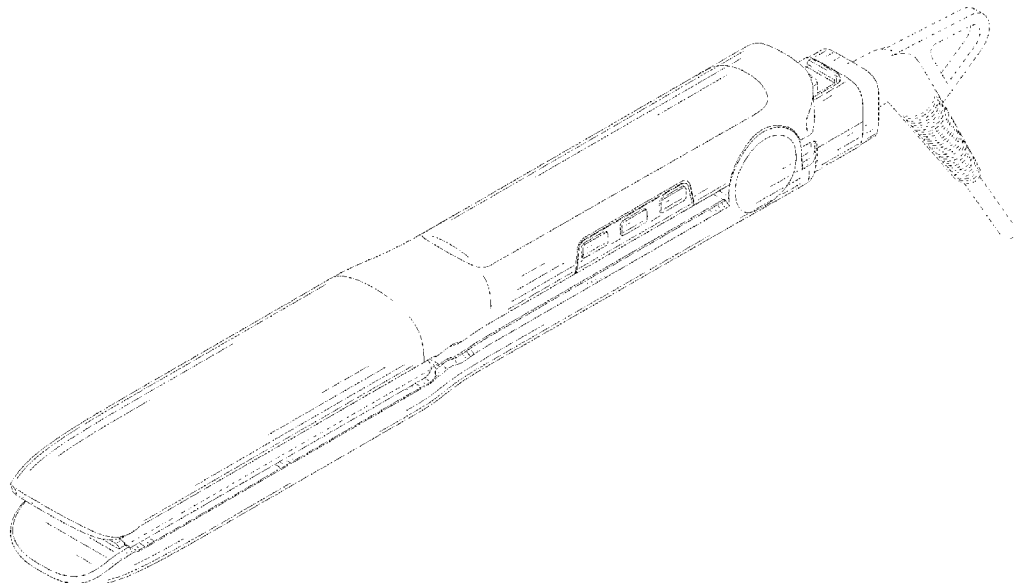
FIG. 7 is a top plan view thereof.

FIG. 8 is a bottom plan view thereof; and,

FIG. 9 is another front, left and top perspective view of the hair straightener in an open state.

The broken lines depict portions of the hair straightener that form no part of the claimed design.

1 Claim, 9 Drawing Sheets



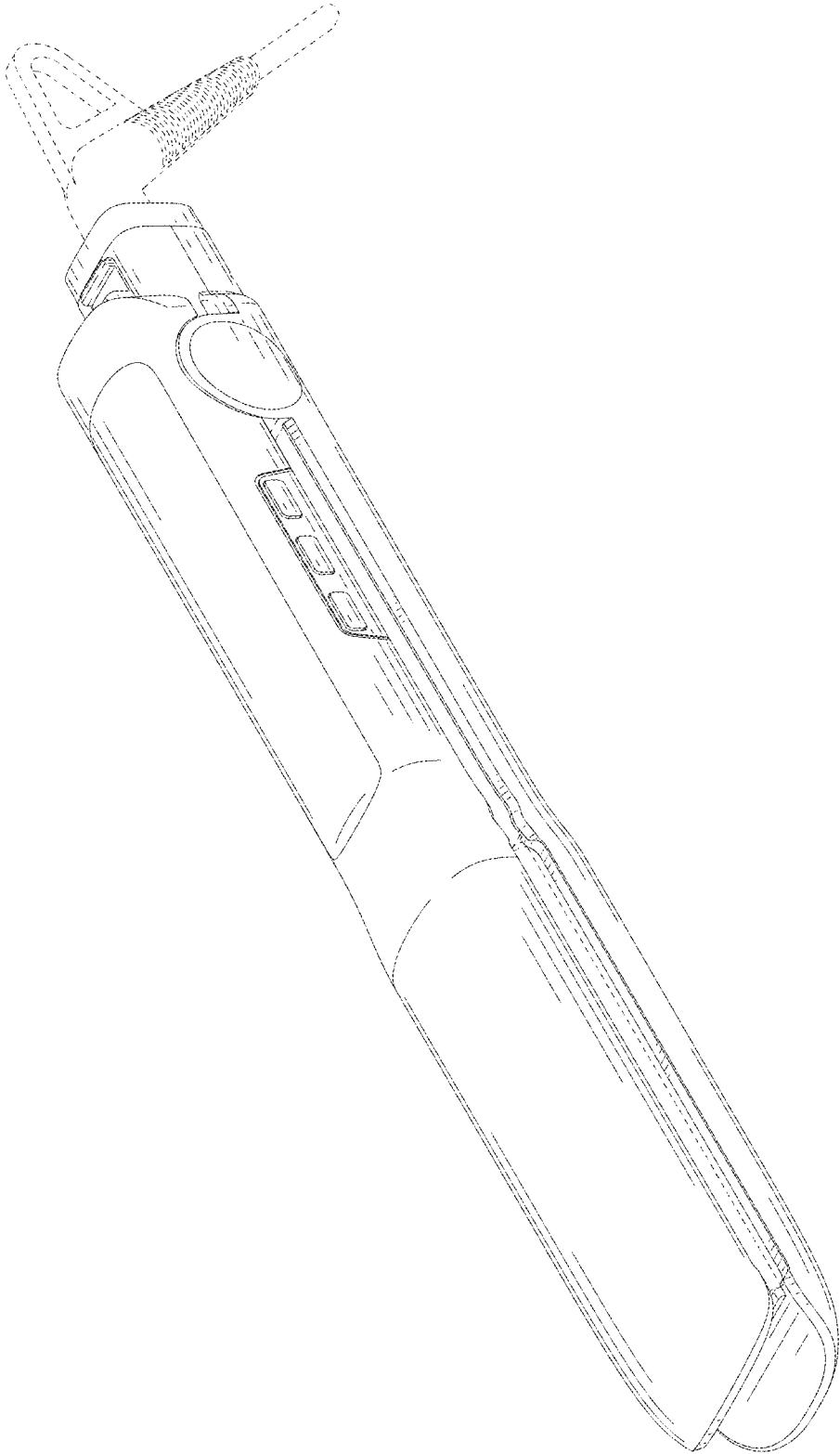


FIG. 1

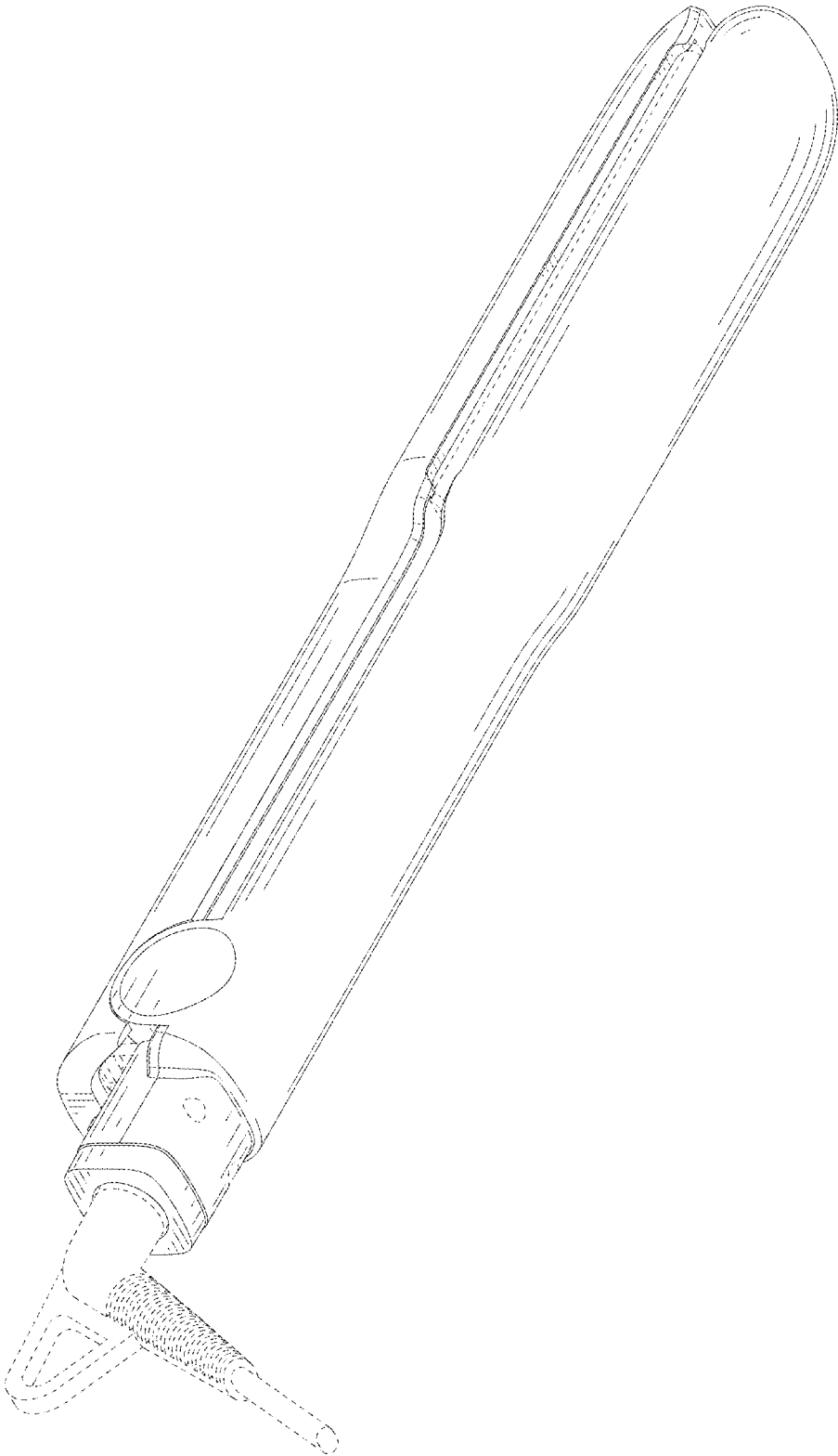


FIG. 2

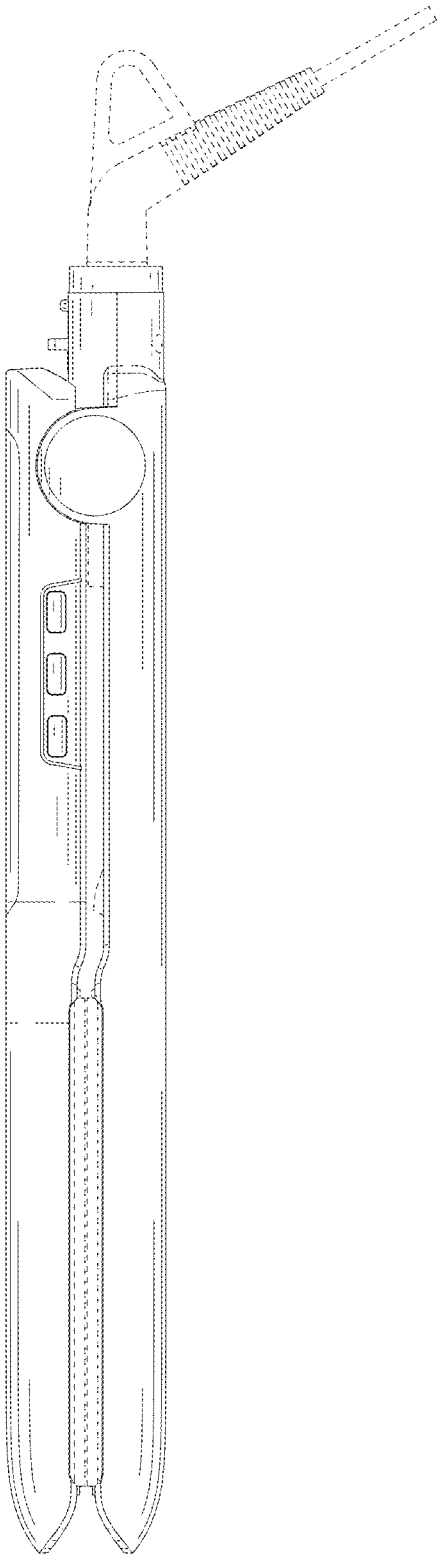


FIG. 3

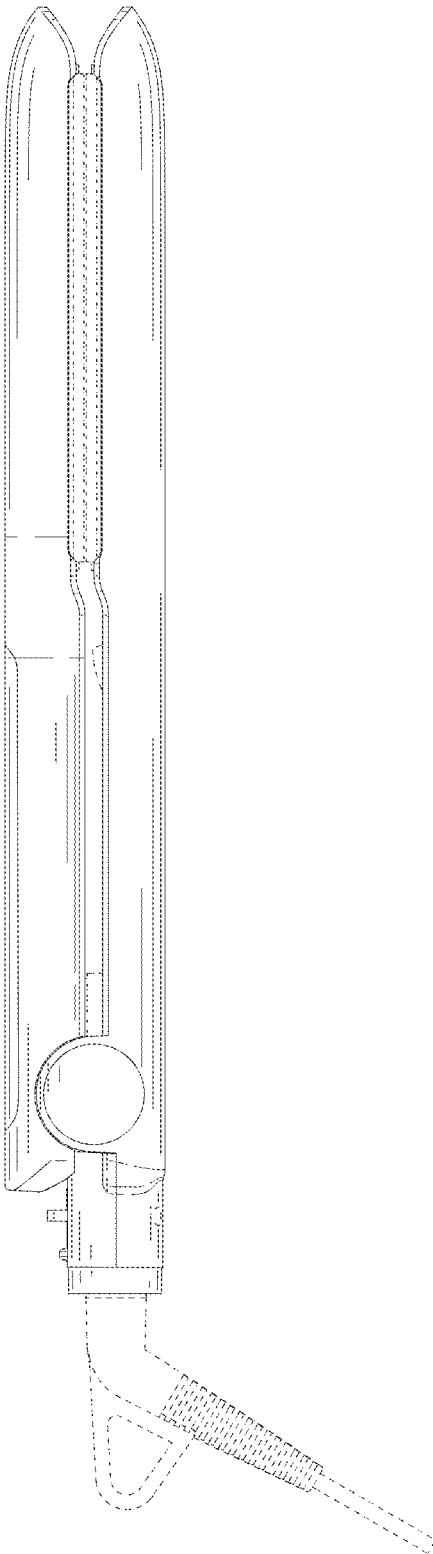


FIG. 4

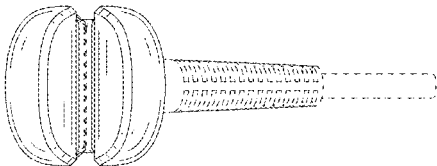


FIG. 5

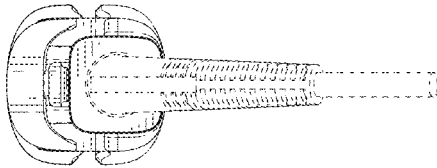


FIG. 6

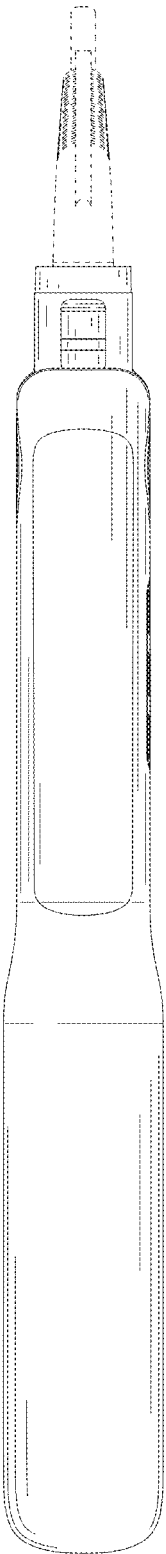


FIG. 7

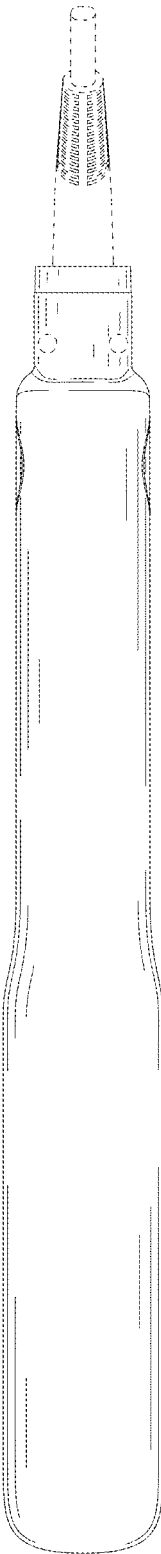


FIG. 8

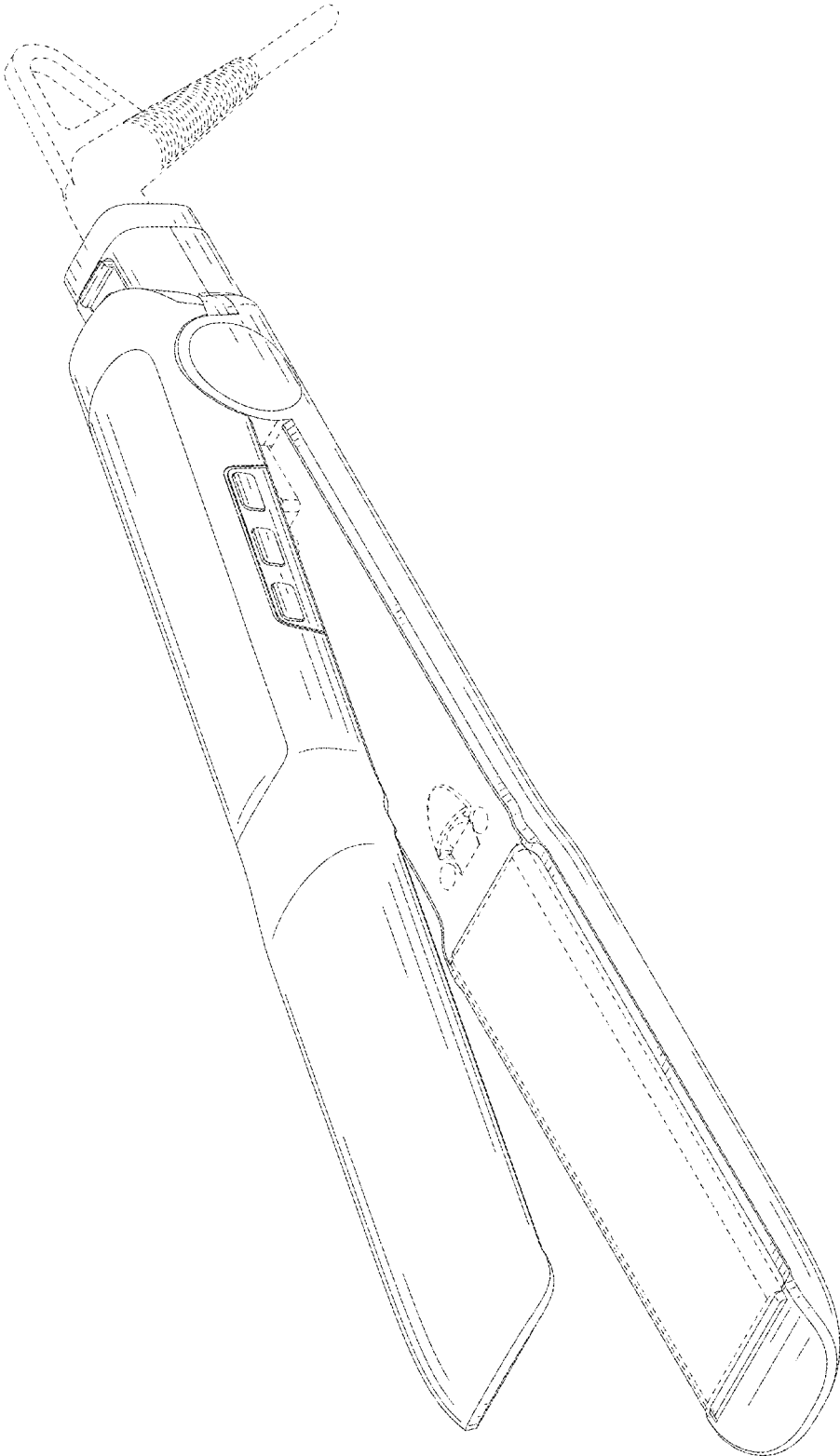


FIG. 9