



US00D844827S

(12) **United States Design Patent**  
**Tsukii**

(10) **Patent No.:** **US D844,827 S**

(45) **Date of Patent:** **\*\* Apr. 2, 2019**

(54) **SINGLE STORY MODULAR HOME**

(71) Applicant: **Toshikazu Tsukii**, Oro Valley, AZ (US)

(72) Inventor: **Toshikazu Tsukii**, Oro Valley, AZ (US)

(\*\*) Term: **15 Years**

(21) Appl. No.: **29/647,658**

(22) Filed: **May 15, 2018**

(51) **LOC (11) Cl.** ..... **25-03**

(52) **U.S. Cl.**

USPC ..... **D25/18**

(58) **Field of Classification Search**

USPC ..... D25/1, 3-35, 55-59, 61; 52/79.1-79.9

CPC ..... E04H 1/00-1/1277; E04H 1/14; E04H

3/00-3/04; E04H 2001/1283-2001/1294;

E04H 6/44

See application file for complete search history.

(56) **References Cited**

**U.S. PATENT DOCUMENTS**

1,182,082	A *	5/1916	Fouts	.....	E04B 1/08
					D25/18
D130,582	S *	12/1941	Kaufmann	.....	D25/18
D138,436	S *	8/1944	Clark	.....	D25/18
D138,447	S *	8/1944	Van Scoy	.....	D25/17
D152,966	S *	3/1949	Harris	.....	D25/18
D153,044	S *	3/1949	Shannon	.....	D25/17
D222,038	S *	9/1971	Hughes	.....	D12/103
D275,610	S *	9/1984	Robertshaw	.....	D25/18
5,344,362	A *	9/1994	Bagley	.....	A01F 25/02
					454/180
D484,612	S *	12/2003	Greene	.....	D25/15
D825,779	S *	8/2018	Baik	.....	D25/29

\* cited by examiner

*Primary Examiner* — Brett Miller

(74) *Attorney, Agent, or Firm* — Eugene Vamos

(57) **CLAIM**

The ornamental design for a single story modular home, as shown and described.

**DESCRIPTION**

FIG. 1 is a perspective view of a first embodiment of a single story modular home showing my new design;

FIG. 2 is a front elevation view thereof;

FIG. 3 is a back elevation view thereof;

FIG. 4 is a right side elevation view thereof;

FIG. 5 is a left side elevation view thereof;

FIG. 6 is a top plan view thereof;

FIG. 7 is a perspective view of a second embodiment of the single story modular home;

FIG. 8 is a front elevation view of FIG. 7;

FIG. 9 is a back elevation view of FIG. 7;

FIG. 10 is a right side elevation view of FIG. 7;

FIG. 11 is a left side elevation view of FIG. 7;

FIG. 12 is a top plan view of FIG. 7;

FIG. 13 is a perspective view of a third embodiment of the single story modular home;

FIG. 14 is a front elevation view of FIG. 13;

FIG. 15 is a back elevation view of FIG. 13;

FIG. 16 is a right side elevation view of FIG. 13;

FIG. 17 is a left side elevation view of FIG. 13;

FIG. 18 is a top plan view of FIG. 13;

FIG. 19 is a perspective view of a fourth embodiment of the single story modular home;

FIG. 20 is a front elevation view of FIG. 19;

FIG. 21 is a back elevation view of FIG. 19;

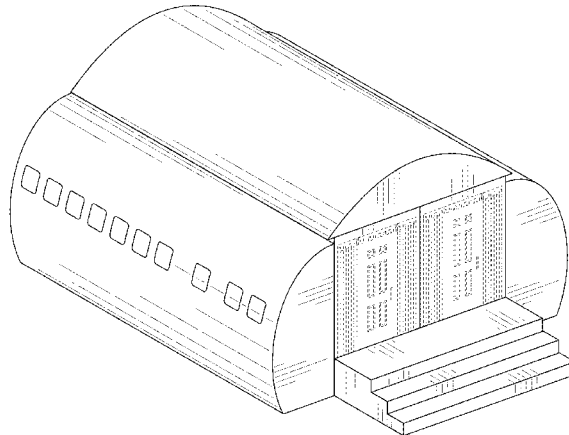
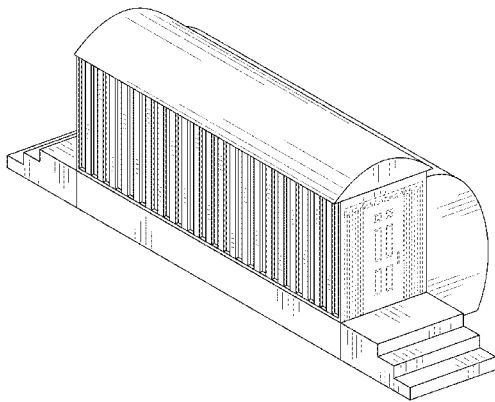
FIG. 22 is a right side elevation view of FIG. 19;

FIG. 23 is a left side elevation view of FIG. 19; and,

FIG. 24 is a top plan view of FIG. 19.

The broken lines are for environmental purposes only and form no part of the claimed design.

**1 Claim, 20 Drawing Sheets**



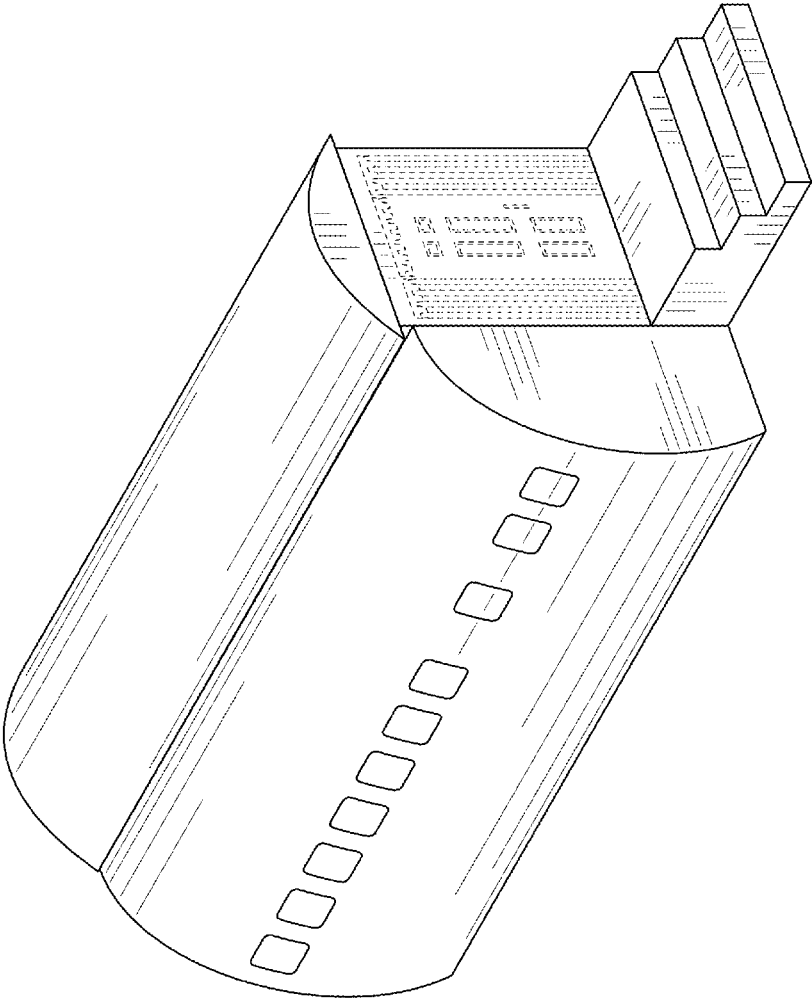


FIG. 1

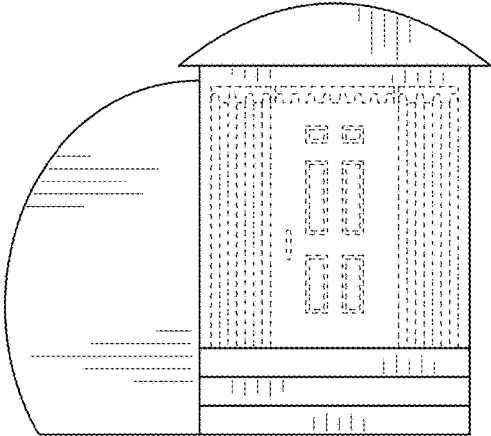


FIG. 2

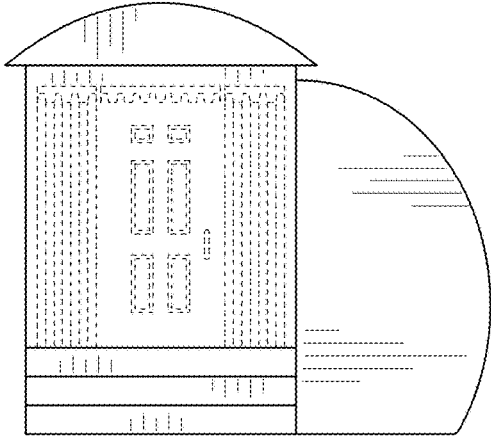


FIG. 3

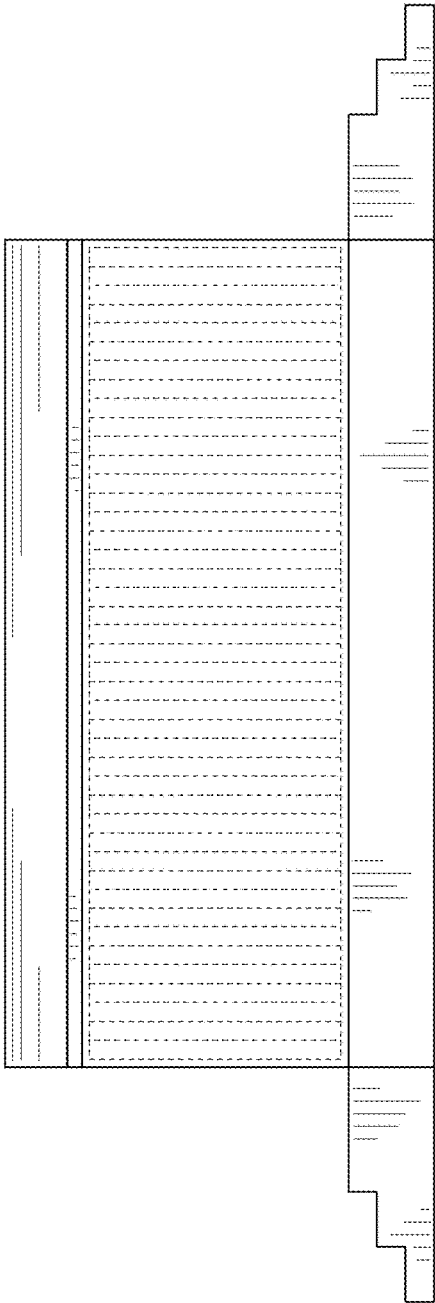


FIG. 4

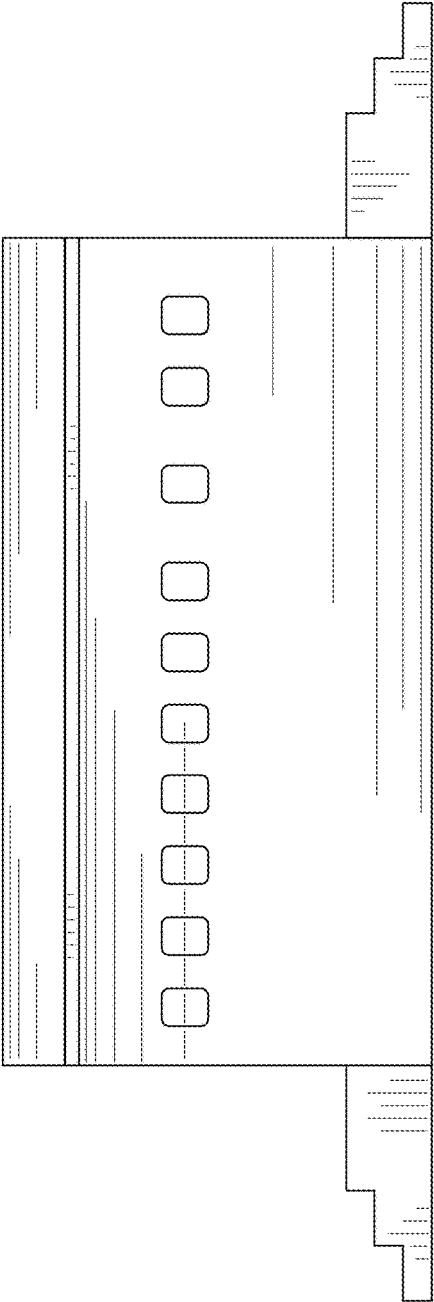


FIG. 5

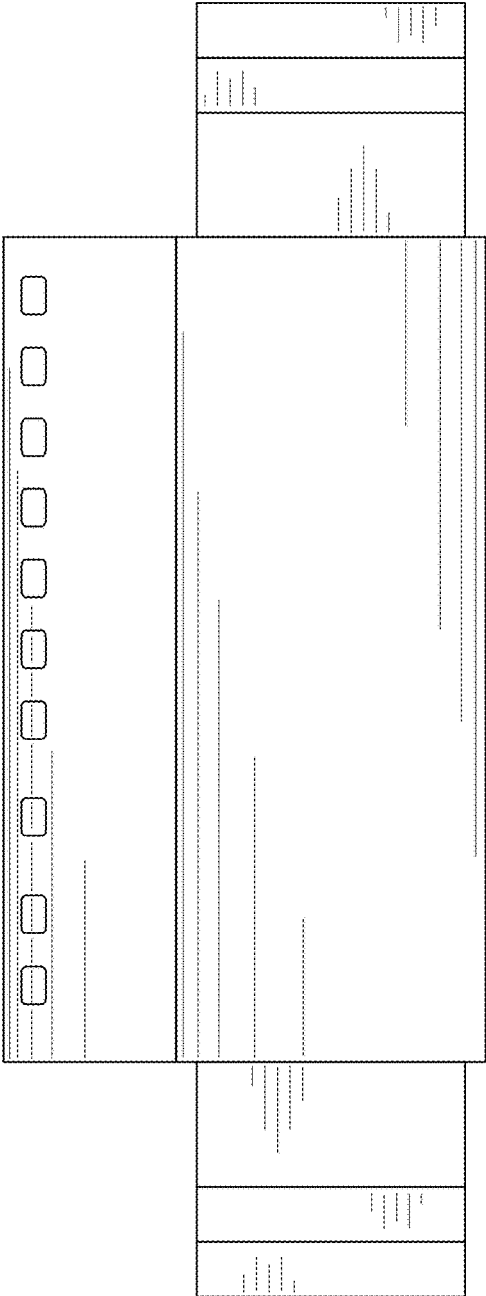


FIG. 6

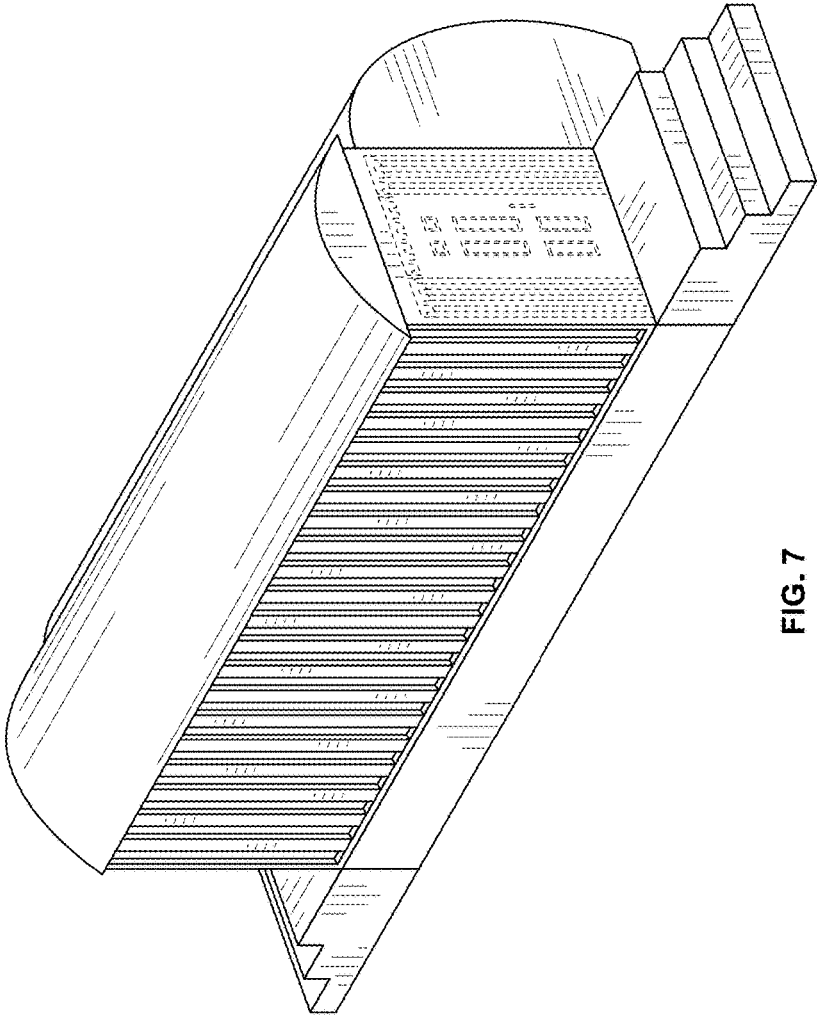


FIG. 7

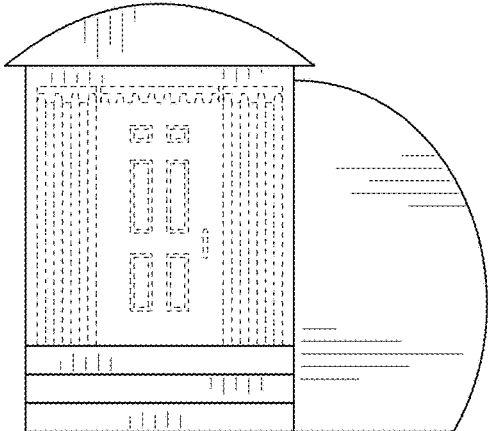


FIG. 8

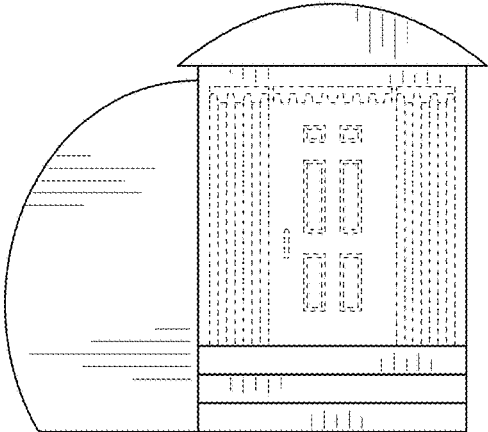


FIG. 9

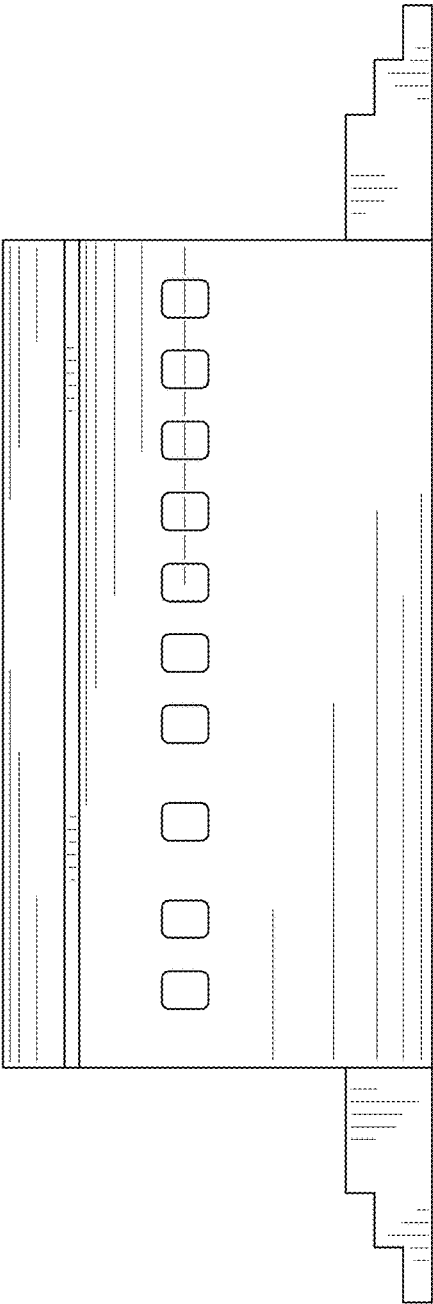


FIG. 10

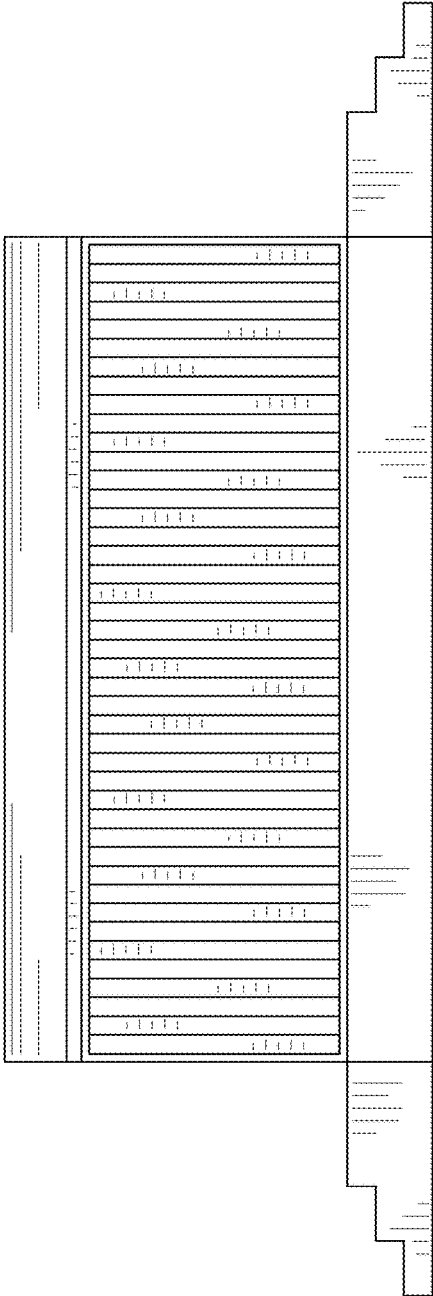


FIG. 11

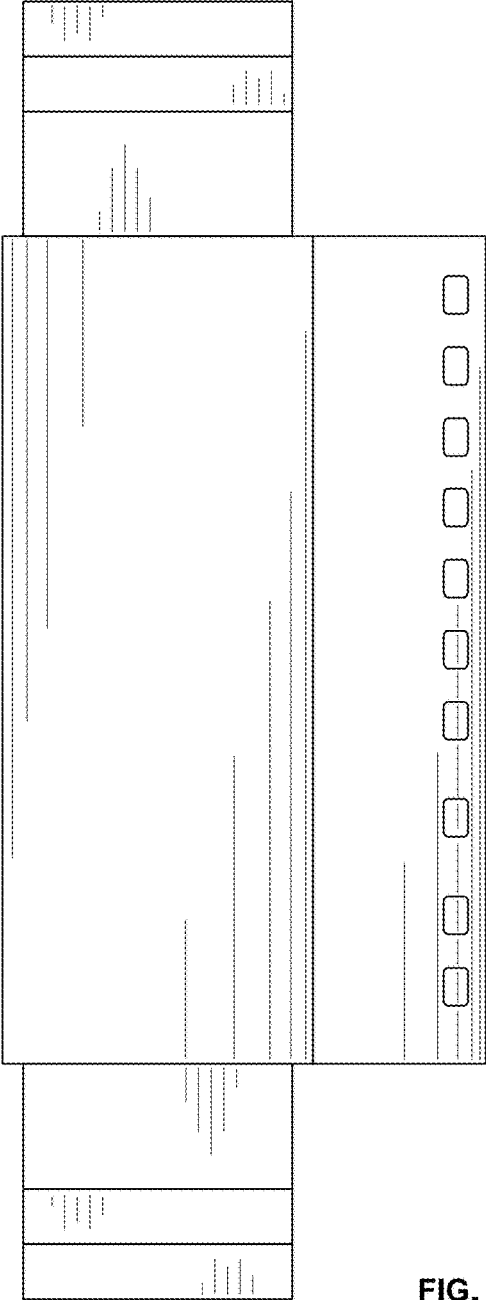


FIG. 12

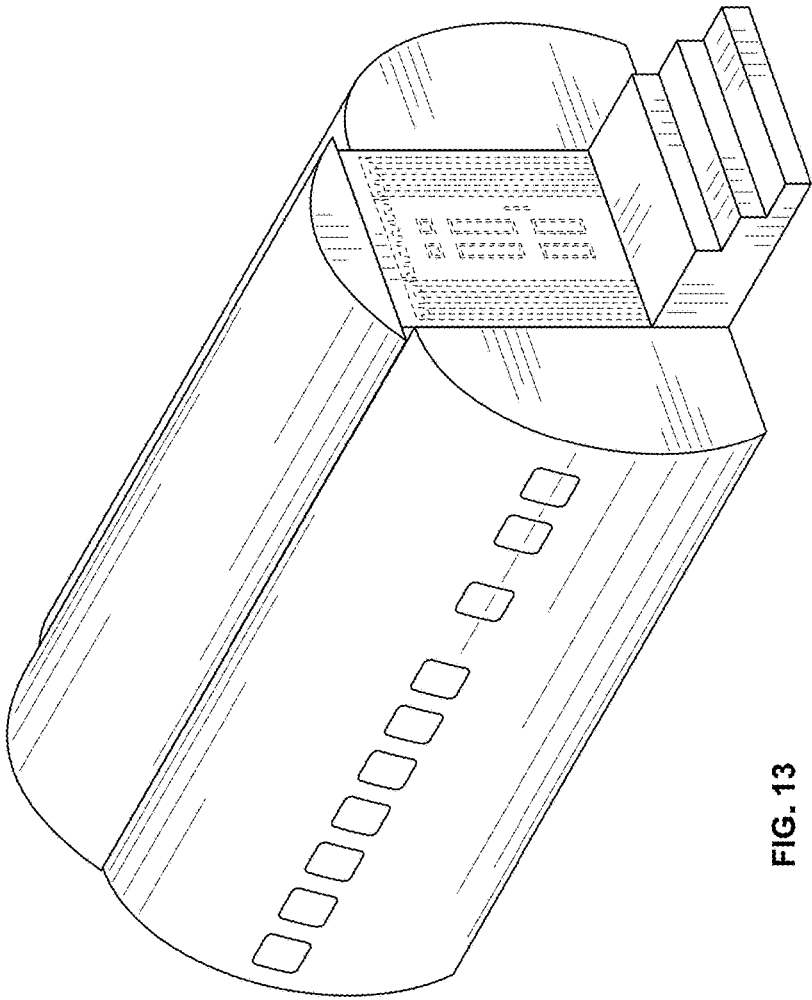


FIG. 13

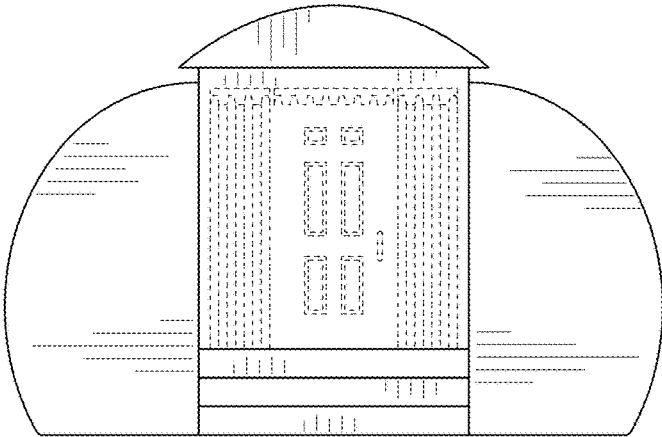


FIG. 14

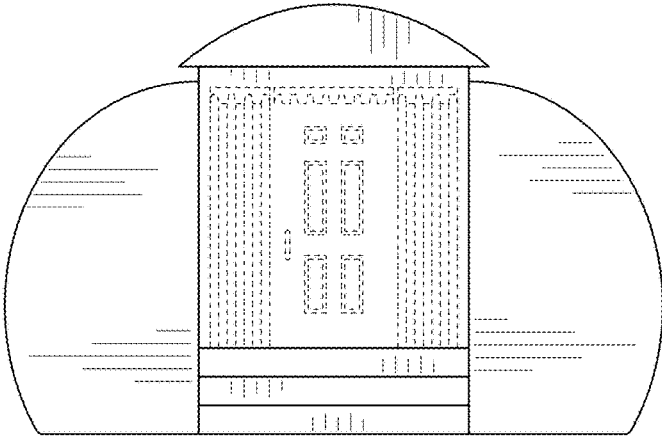


FIG. 15

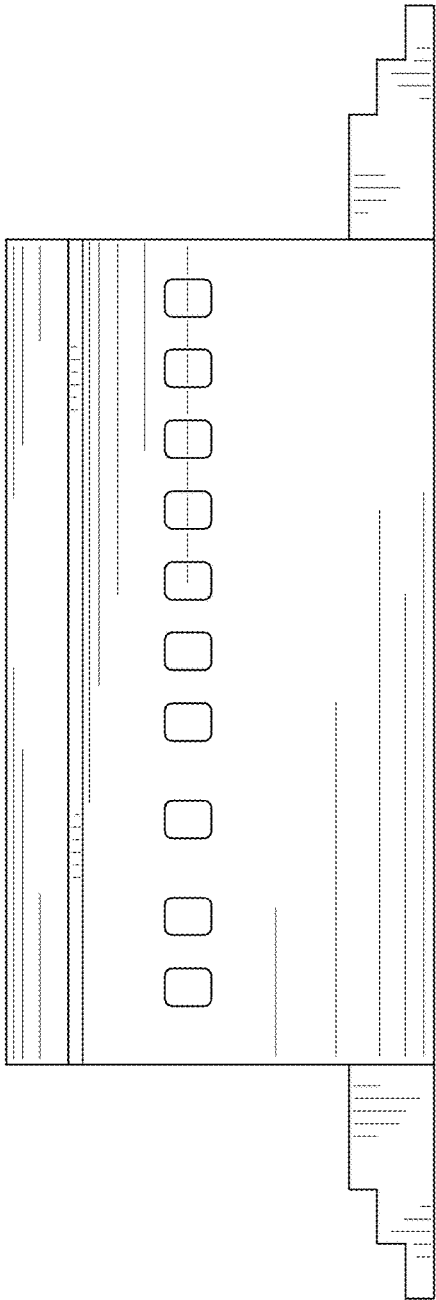


FIG. 16

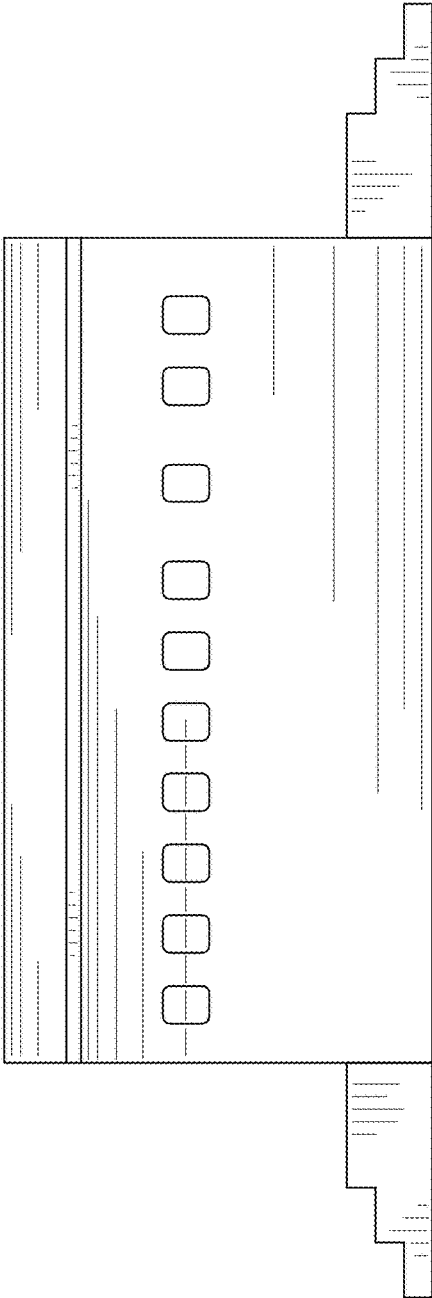


FIG. 17

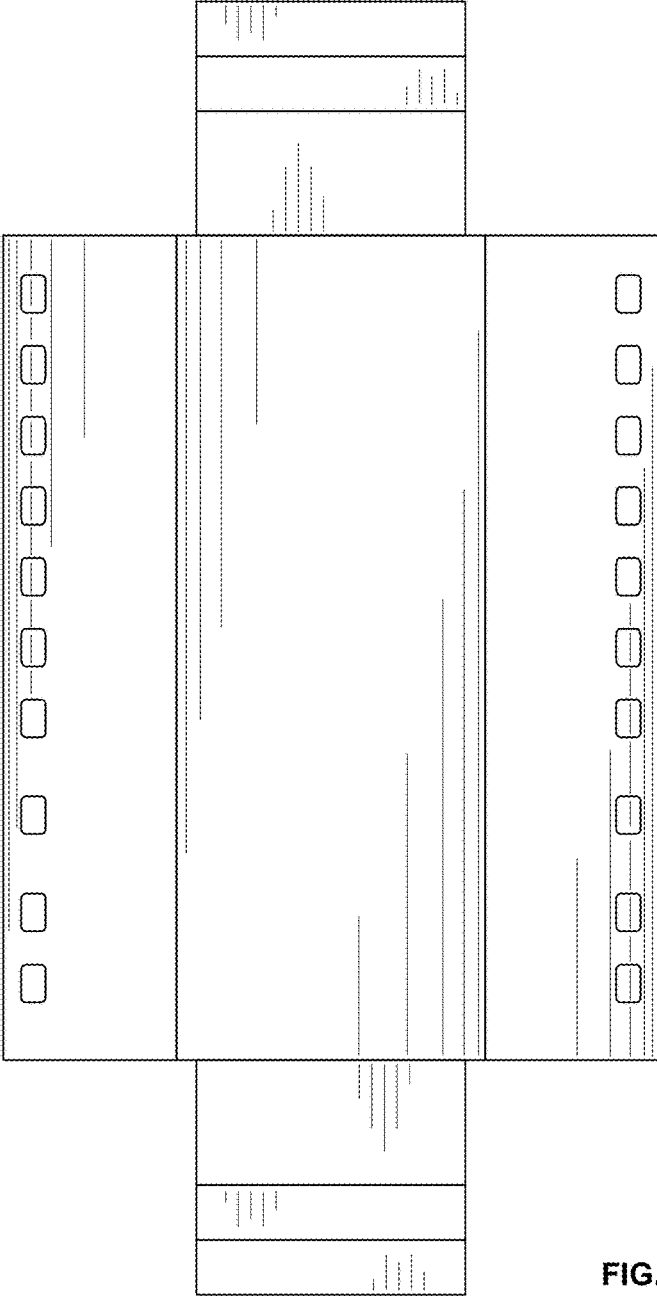


FIG. 18

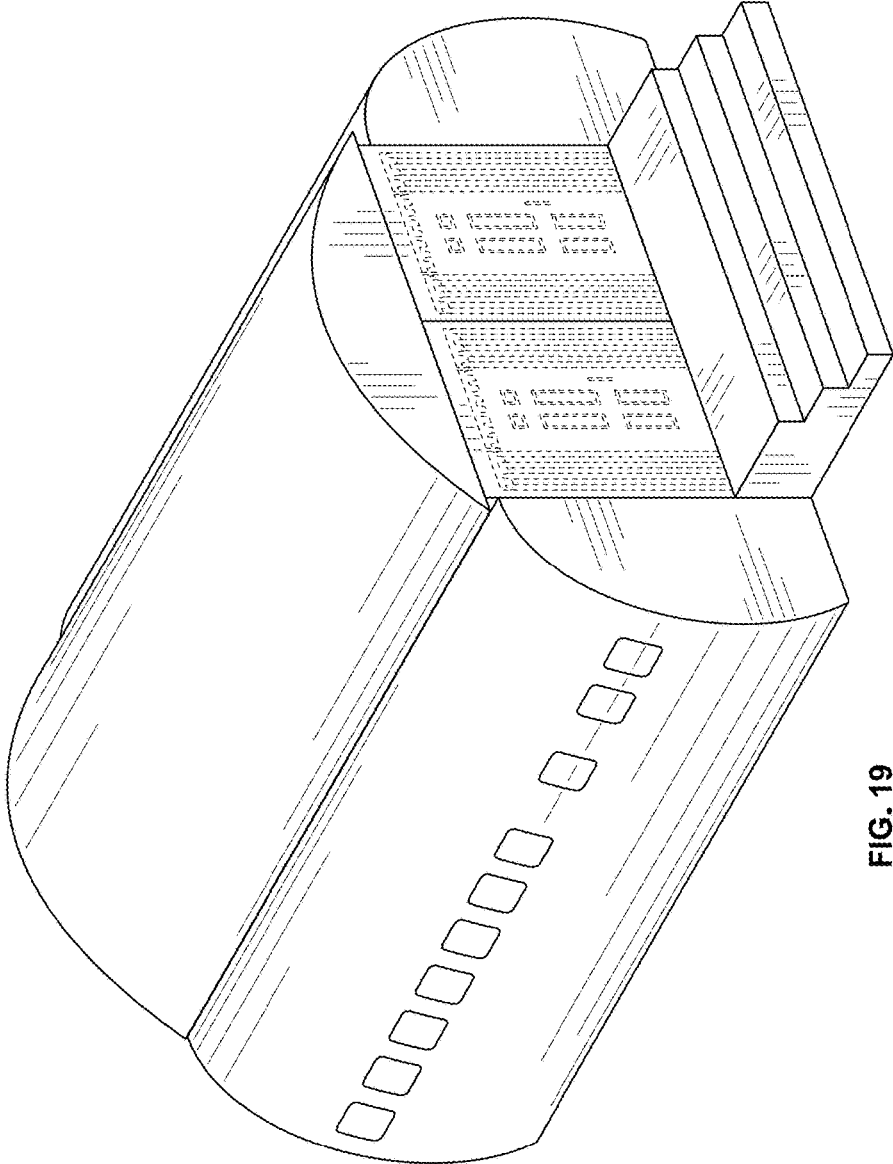


FIG. 19

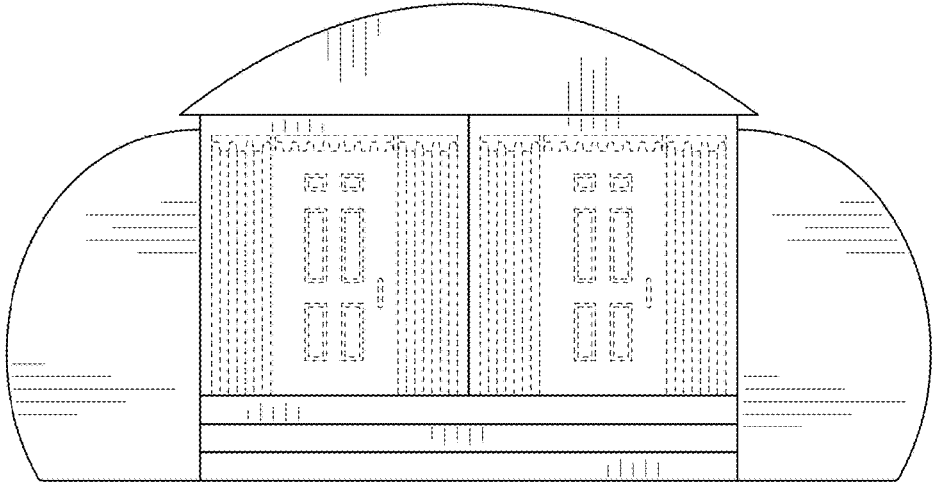


FIG. 20

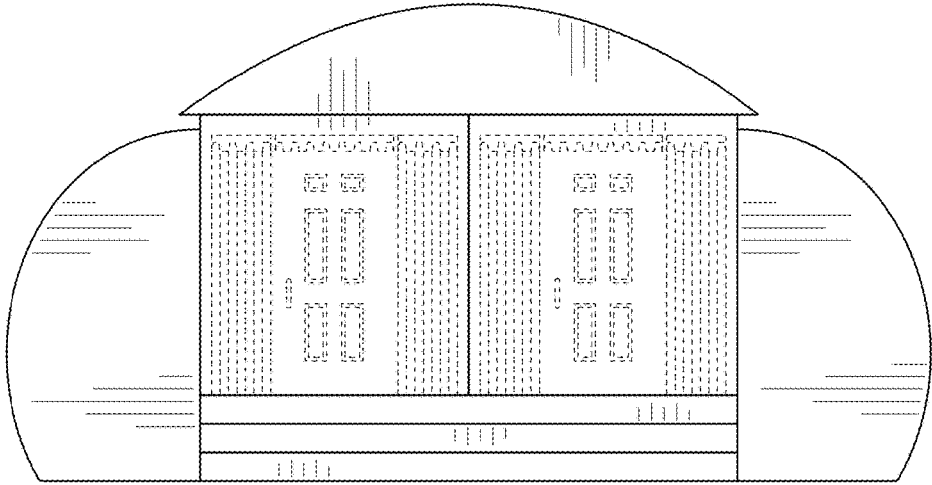


FIG. 21

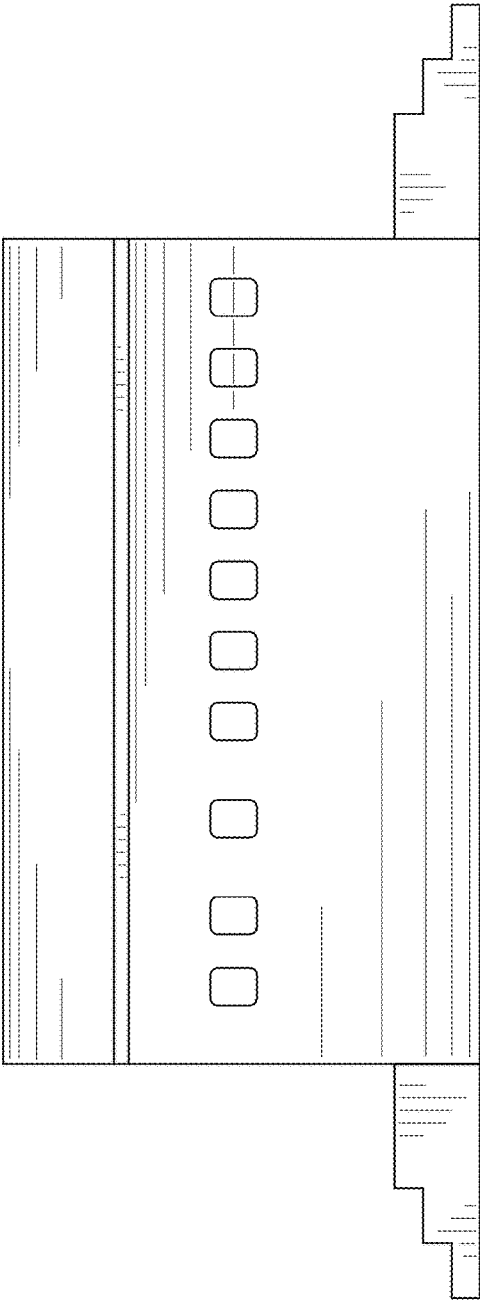


FIG. 22

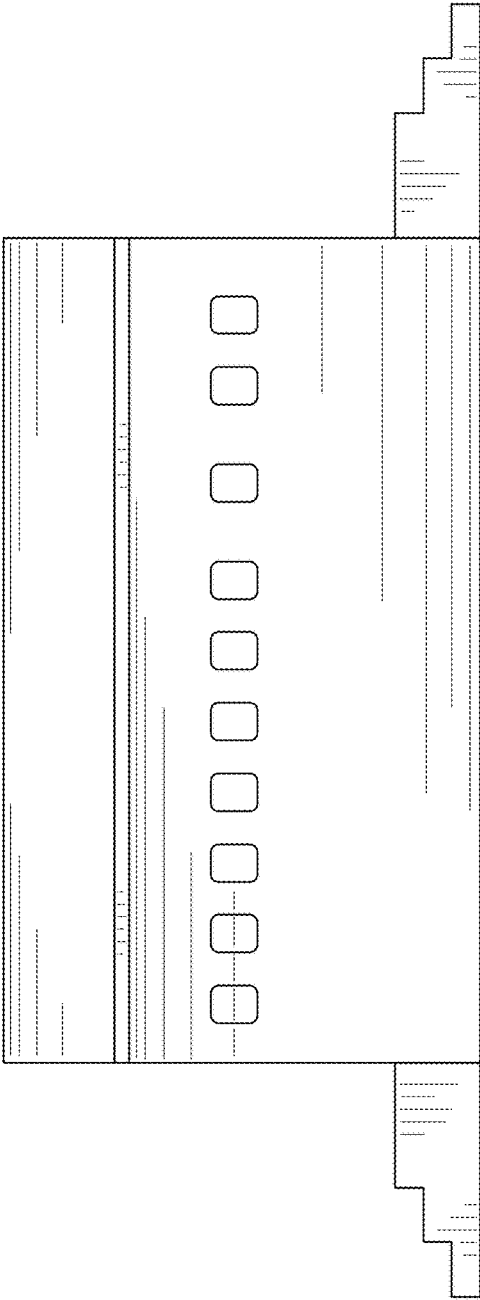


FIG. 23

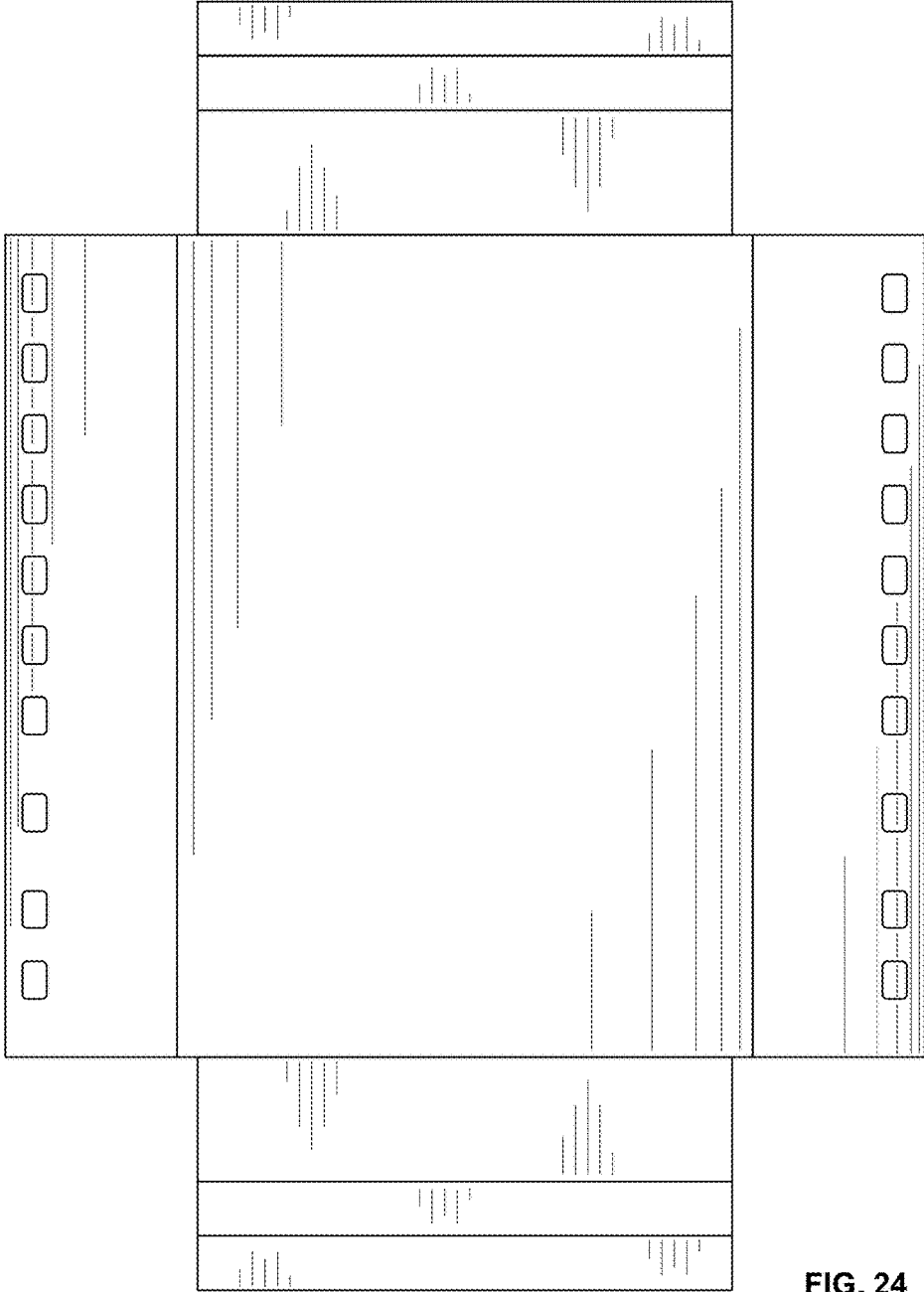


FIG. 24