



US00D633837S

(12) **United States Design Patent**
Murray

(10) **Patent No.:** **US D633,837 S**

(45) **Date of Patent:** **** Mar. 8, 2011**

(54) **CUSTOMIZABLE LICENSE PLATE HOLDER**

(75) Inventor: **Robert L. Murray**, Nashua, NH (US)

(73) Assignee: **MW Solutions, LLC**, Nashua, NH (US)

(**) Term: **14 Years**

(21) Appl. No.: **29/375,824**

(22) Filed: **Sep. 28, 2010**

(51) **LOC (9) Cl.** **12-16**

(52) **U.S. Cl.** **D12/193**

(58) **Field of Classification Search** D12/193;
D6/300-30, 310-314; 40/200-204, 207-214;
362/497, 473, 327, 604; D20/13

See application file for complete search history.

(56) **References Cited**

U.S. PATENT DOCUMENTS

D263,580	S	*	3/1982	Scott	D12/193
D284,587	S	*	7/1986	Nally	D20/13
4,924,611	A		5/1990	Shaw		
5,027,537	A		7/1991	Freeman et al.		
D333,490	S	*	2/1993	Engelberts	D20/13
D360,479	S	*	7/1995	Howard	D12/193
D396,679	S	*	8/1998	Findel, II	D12/193
5,813,640	A		9/1998	Koch et al.		

D406,806	S	*	3/1999	Wallace et al.	D12/193
D473,503	S	*	4/2003	Byrne	D12/193
D502,434	S	*	3/2005	Leibman	D12/193
D538,349	S	*	3/2007	Hollands	D20/13
D565,113	S	*	3/2008	Fischer, III	D20/13
D623,105	S	*	9/2010	Aneiros	D12/193
2004/0244240	A1		12/2004	Yen		

* cited by examiner

Primary Examiner—Stacia Cadmus

(74) *Attorney, Agent, or Firm*—Vern Maine & Associates

(57) **CLAIM**

The ornamental design for a customizable license plate holder, as shown and described.

DESCRIPTION

FIG. 1 is a front perspective view of the customizable license plate holder;

FIG. 2 is a back perspective view thereof;

FIG. 3 is a front view thereof;

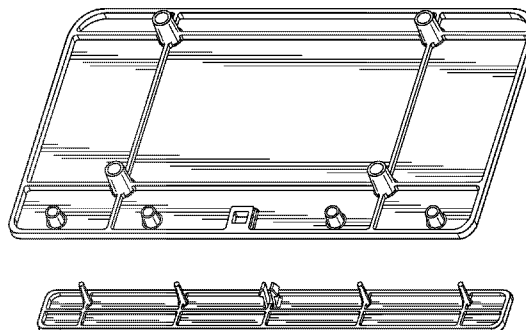
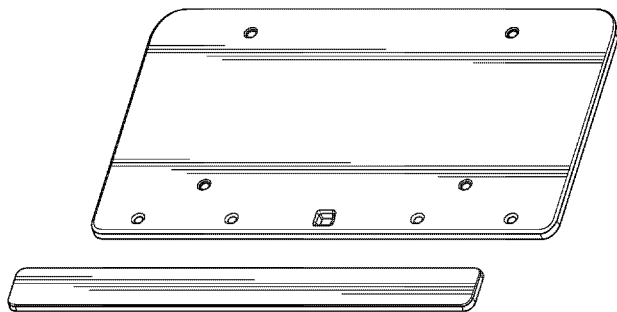
FIG. 4 is a back view thereof;

FIG. 5 is a right side view thereof;

FIG. 6 is a bottom view thereof; and,

FIG. 7 is a top view thereof.

1 Claim, 7 Drawing Sheets



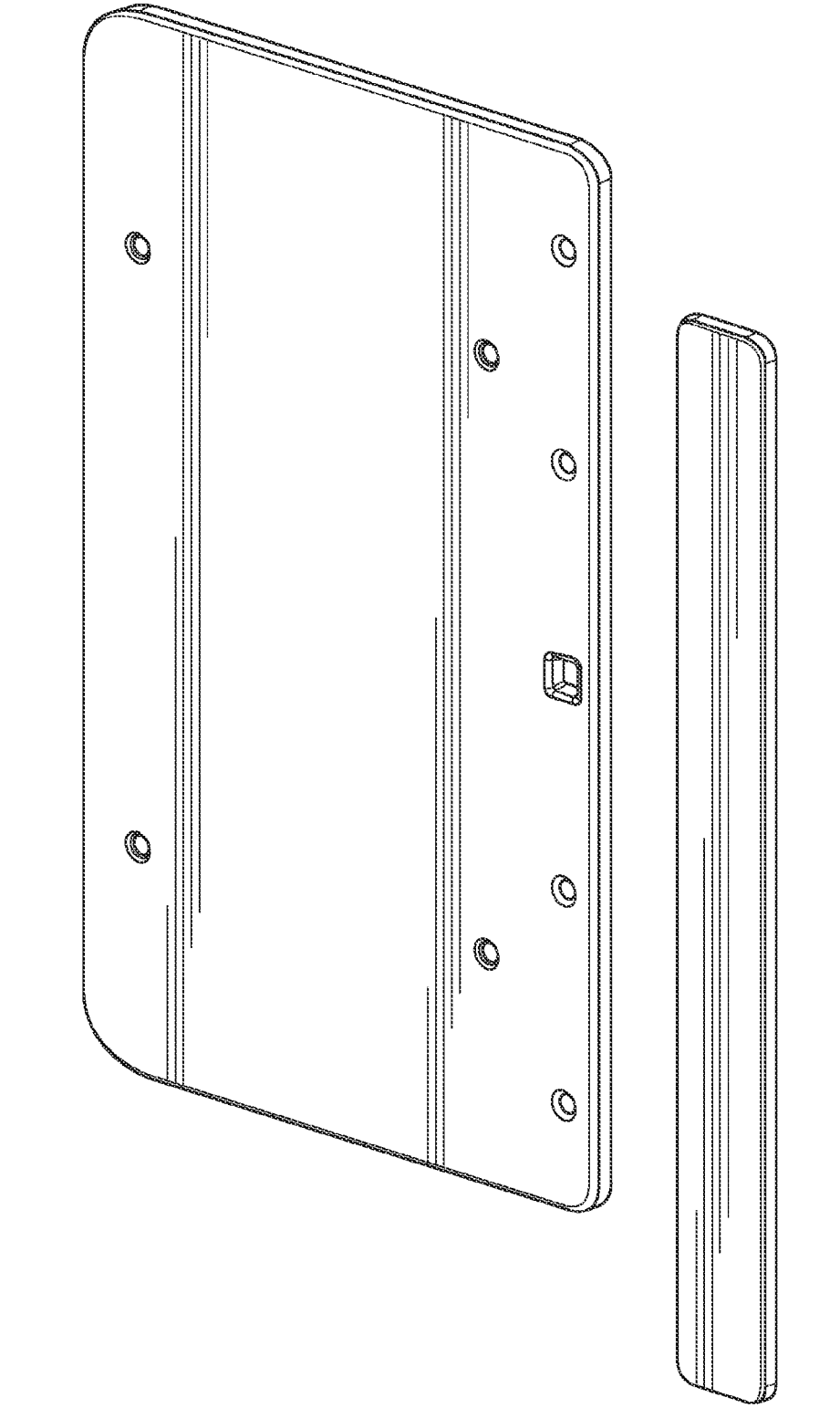


FIG. 1

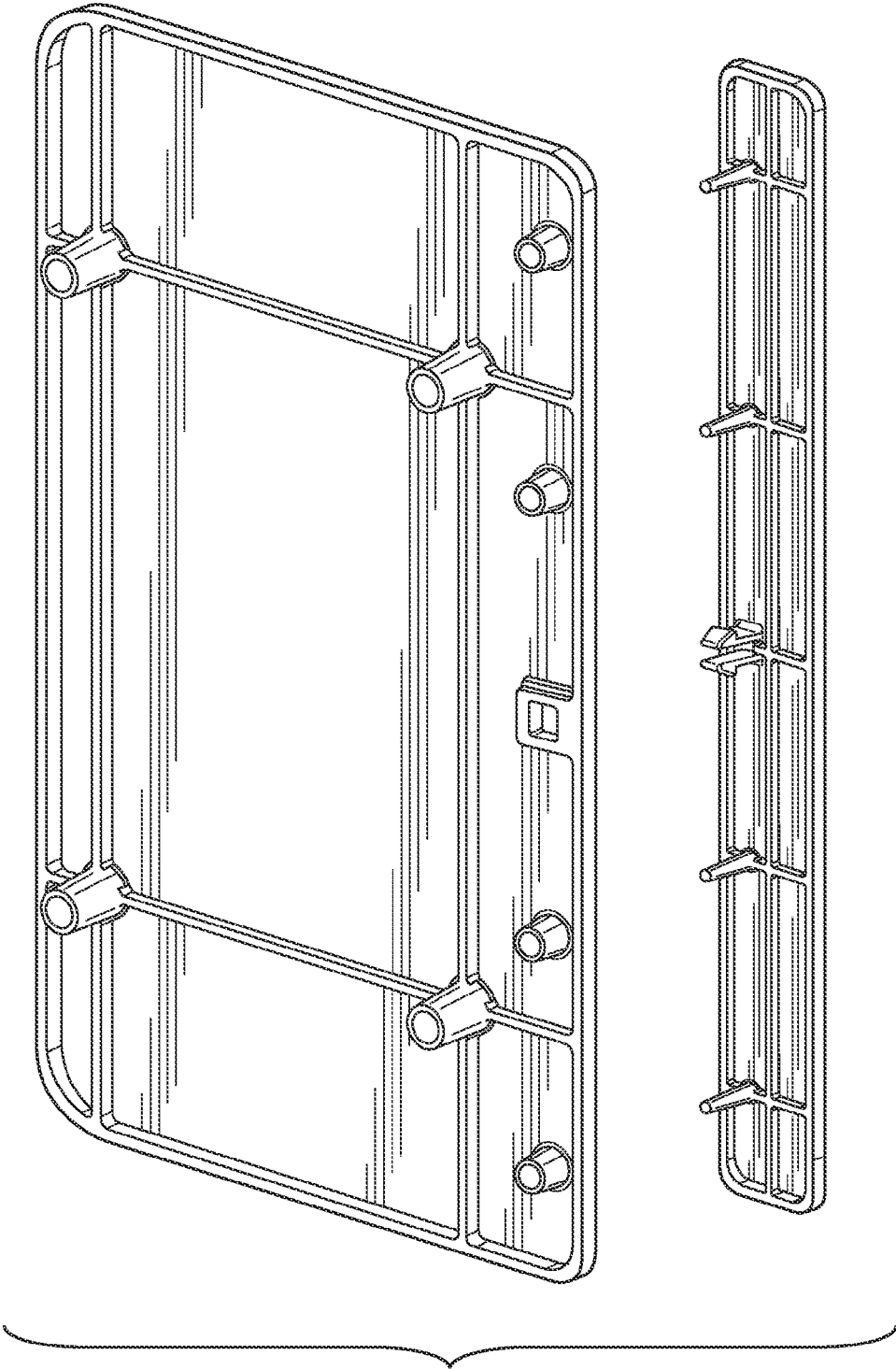


FIG. 2

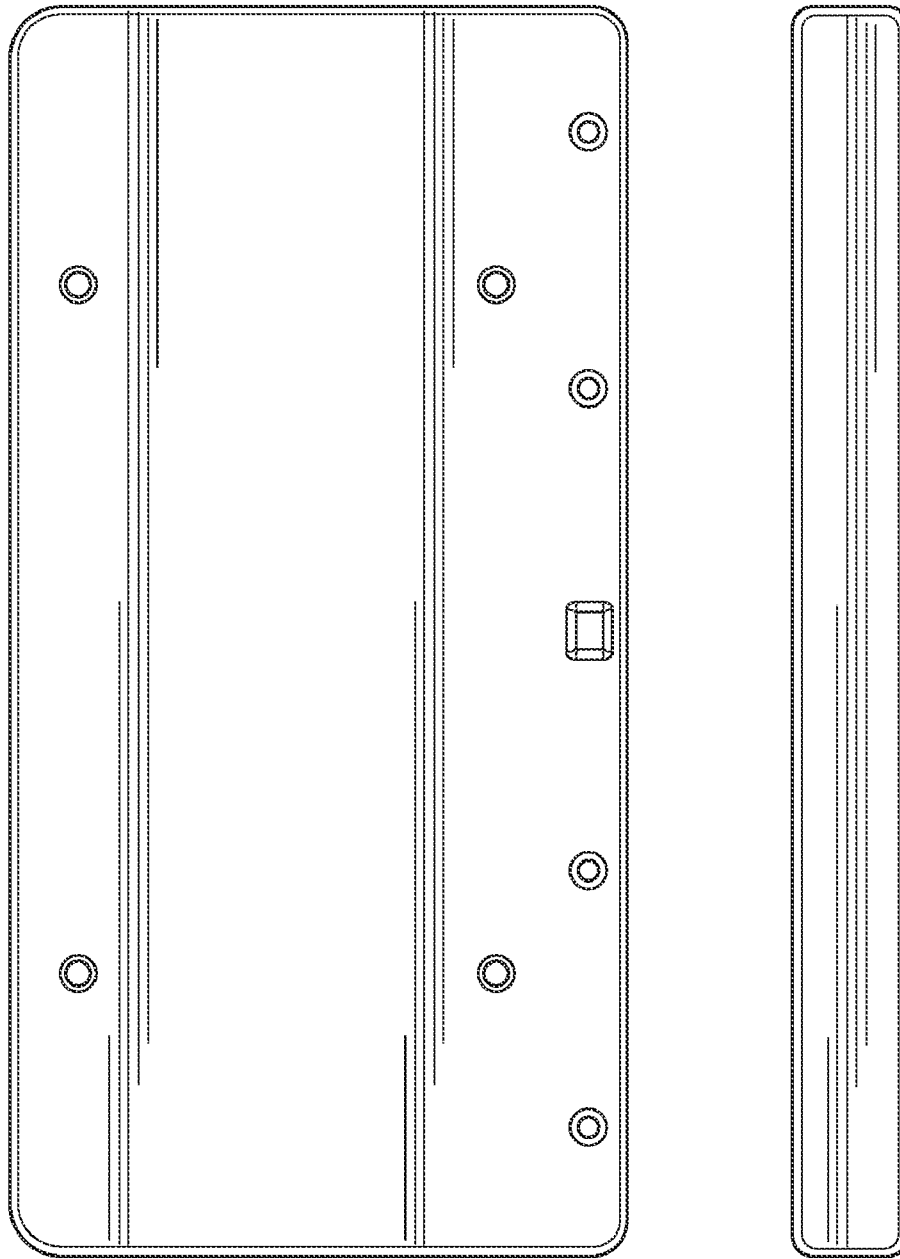


FIG. 3

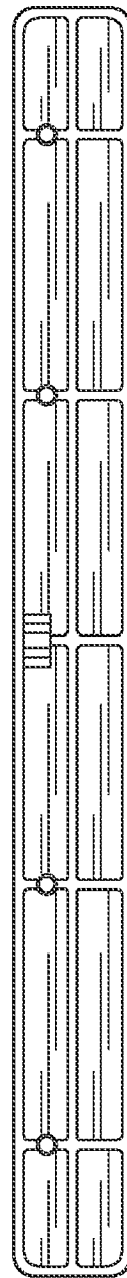
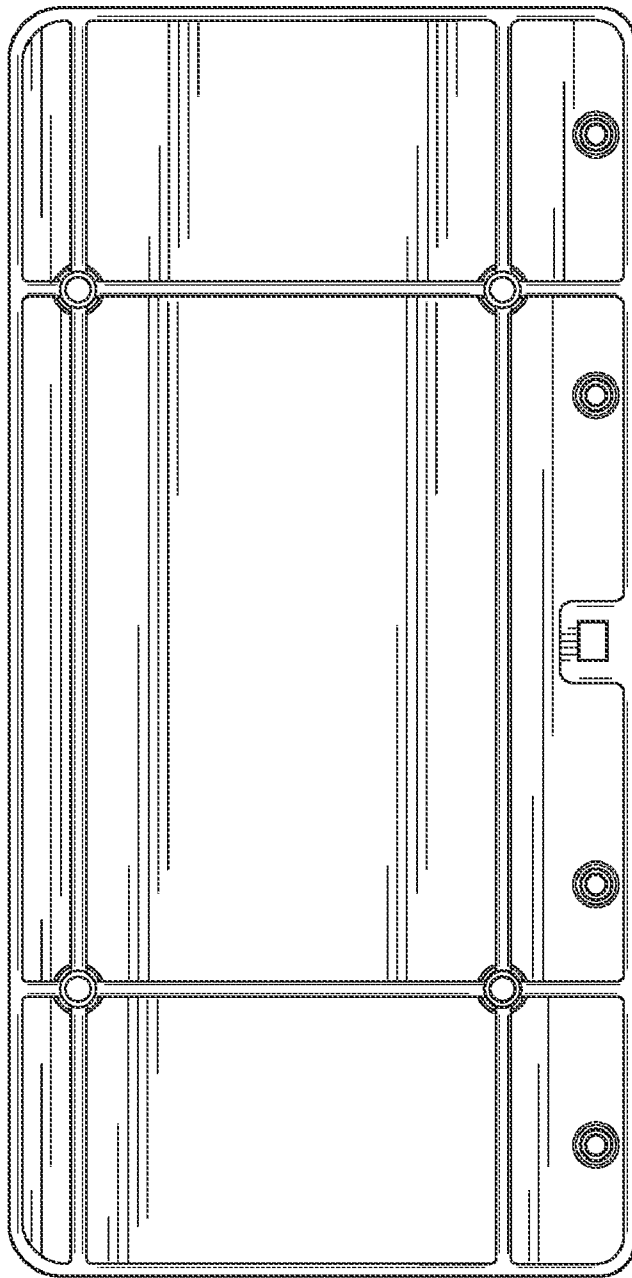


FIG. 4

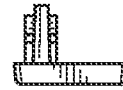
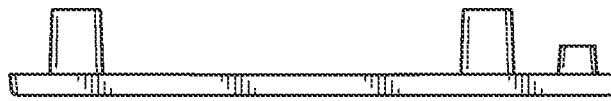


FIG. 5

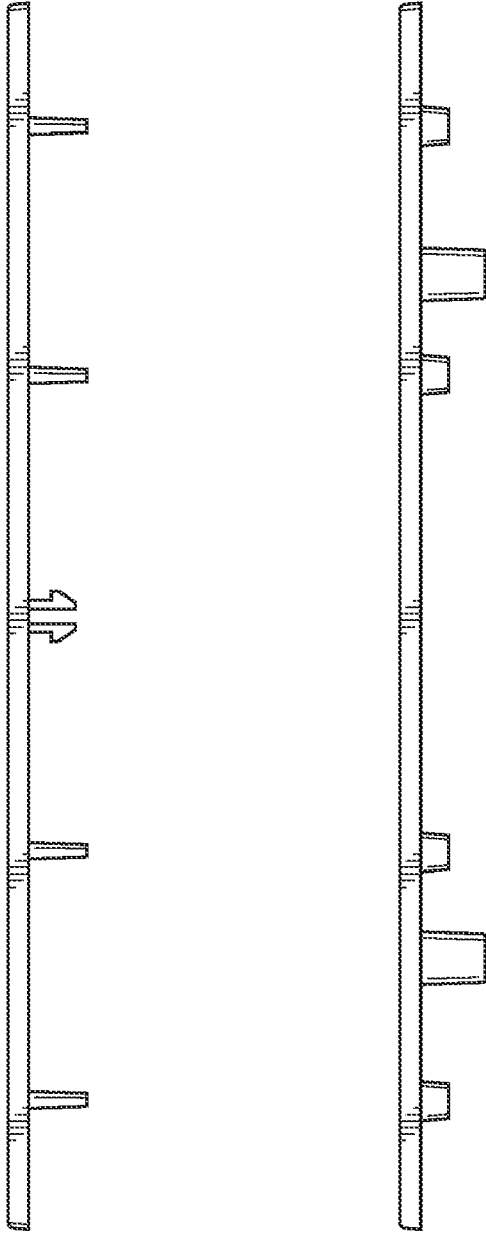


FIG. 6

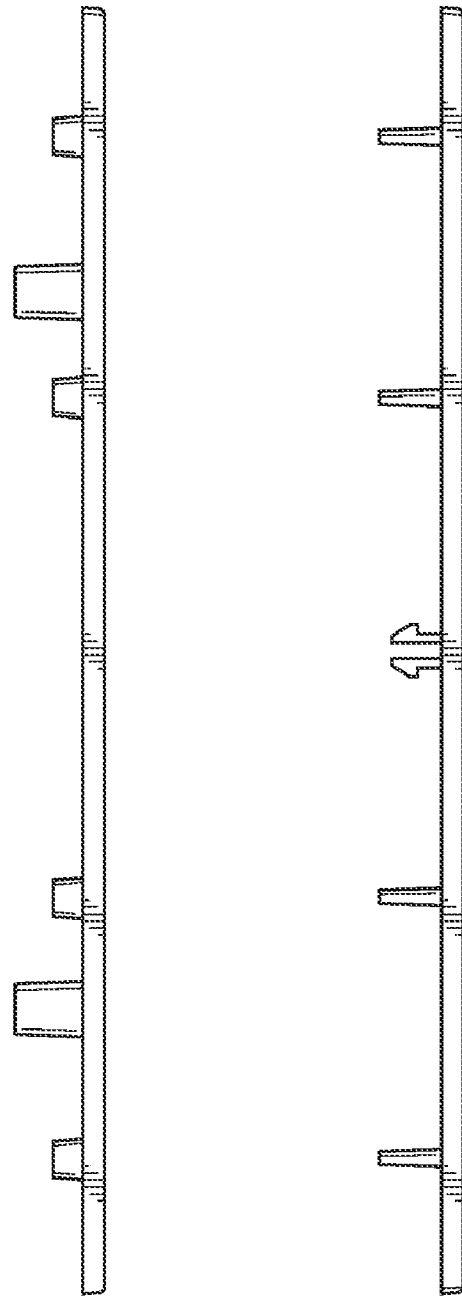


FIG. 7

UNITED STATES PATENT AND TRADEMARK OFFICE
CERTIFICATE OF CORRECTION

PATENT NO. : D633,837 S
APPLICATION NO. : 29/375824
DATED : March 8, 2011
INVENTOR(S) : Robert L. Murray

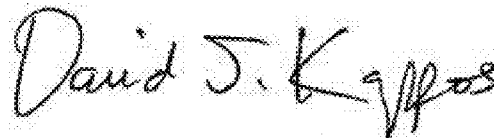
Page 1 of 9

It is certified that error appears in the above-identified patent and that said Letters Patent is hereby corrected as shown below:

The title page should be deleted and substitute therefor the attached title page.

Delete drawing sheets 1 through 7, and substitute therefor drawing sheets 1 through 7 consisting of figures 1 through 7, as shown on the attached sheets.

Signed and Sealed this
Twenty-ninth Day of November, 2011

A handwritten signature in black ink that reads "David J. Kappos". The signature is written in a cursive, slightly slanted style.

David J. Kappos
Director of the United States Patent and Trademark Office

(12) **United States Design Patent**
Murray

(10) **Patent No.:** **US D633,837 S**
 (45) **Date of Patent:** **** Mar. 8, 2011**

(54) **CUSTOMIZABLE LICENSE PLATE HOLDER**

(75) Inventor: **Robert L. Murray**, Nashua, NH (US)

(73) Assignee: **MW Solutions, LLC**, Nashua, NH (US)

(**) Term: **14 Years**

(21) Appl. No.: **29/375,824**

(22) Filed: **Sep. 28, 2010**

(51) **LOC (9) Cl.** **12-16**

(52) **U.S. Cl.** **D12/193**

(58) **Field of Classification Search** D12/193;
 D6/300-30, 310-314; 40/200-204, 207-214;
 362/497, 473, 327, 604; D20/13

See application file for complete search history.

(56) **References Cited**

U.S. PATENT DOCUMENTS

D263,580	S *	3/1982	Scott	D12/193
D284,587	S *	7/1986	Nally	D20/13
4,924,611	A	5/1990	Shaw		
5,027,537	A	7/1991	Freeman et al.		
D333,490	S *	2/1993	Engelberts	D20/13
D360,479	S *	7/1995	Howard	D12/193
D396,679	S *	8/1998	Findel, II	D12/193
5,813,640	A	9/1998	Koch et al		

D406,806	S *	3/1999	Wallace et al	D12/193
D473,503	S *	4/2003	Byrne	D12/193
D502,434	S *	3/2005	Leibman	D12/193
D538,349	S *	3/2007	Hollands	D20/13
D565,113	S *	3/2008	Fischer, III	D20/13
D623,105	S *	9/2010	Aneiros	D12/193

2004/0244240 A1 12/2004 Yen

* cited by examiner

Primary Examiner---Stacia Cadmus

(74) *Attorney, Agent, or Firm* Vern Maine & Associates

(57) **CLAIM**

The ornamental design for a customizable license plate holder, as shown and described.

DESCRIPTION

FIG. 1 is a front perspective view of the customizable license plate holder;

FIG. 2 is a back perspective view thereof;

FIG. 3 is a front view thereof;

FIG. 4 is a back view thereof;

FIG. 5 is a right side view thereof;

FIG. 6 is a bottom view thereof; and,

FIG. 7 is a top view thereof.

1 Claim, 7 Drawing Sheets

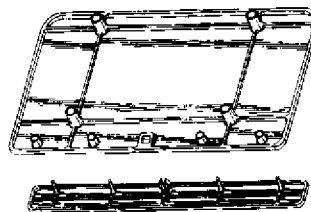
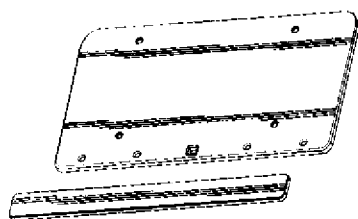


FIG. 1

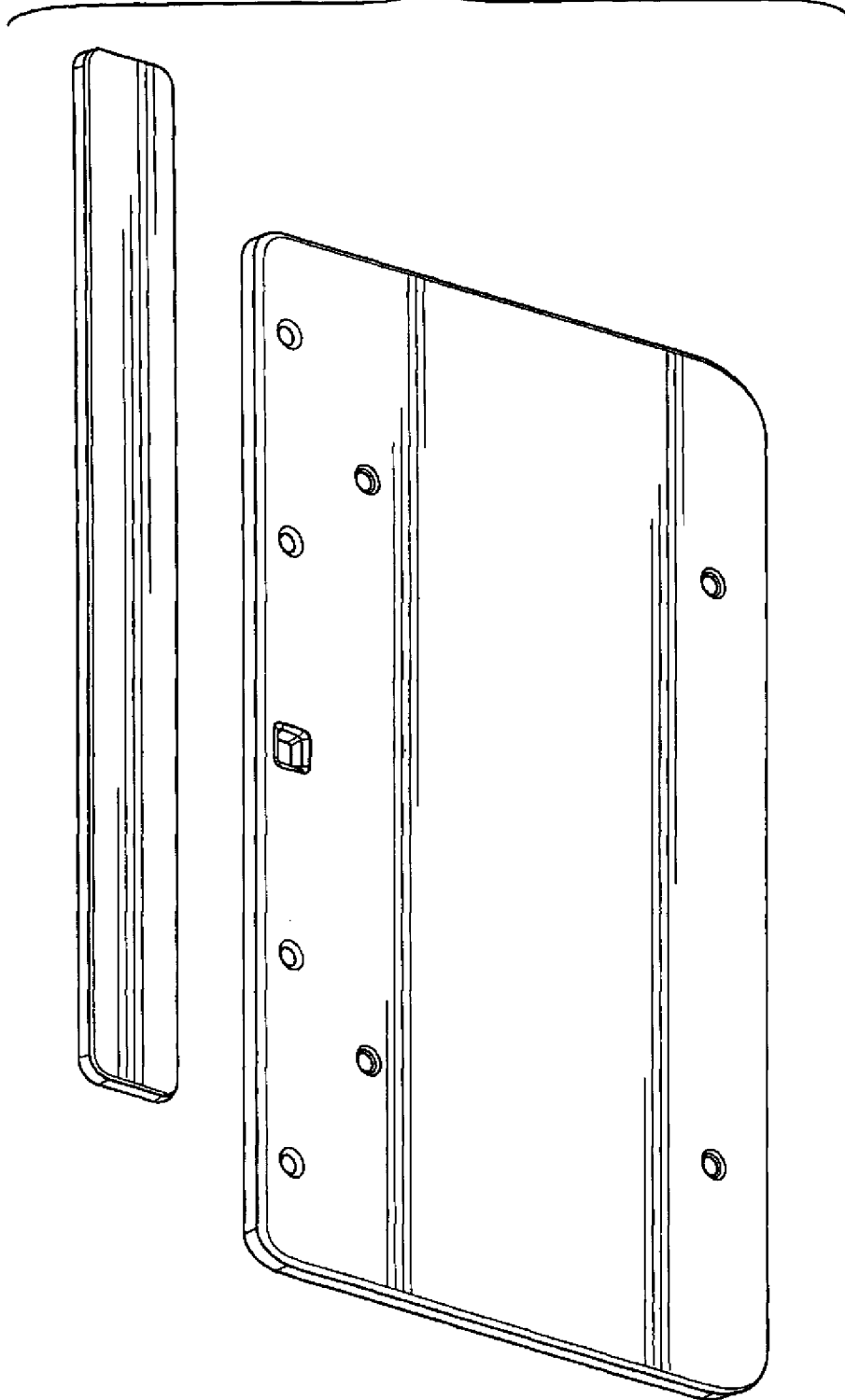


FIG. 2

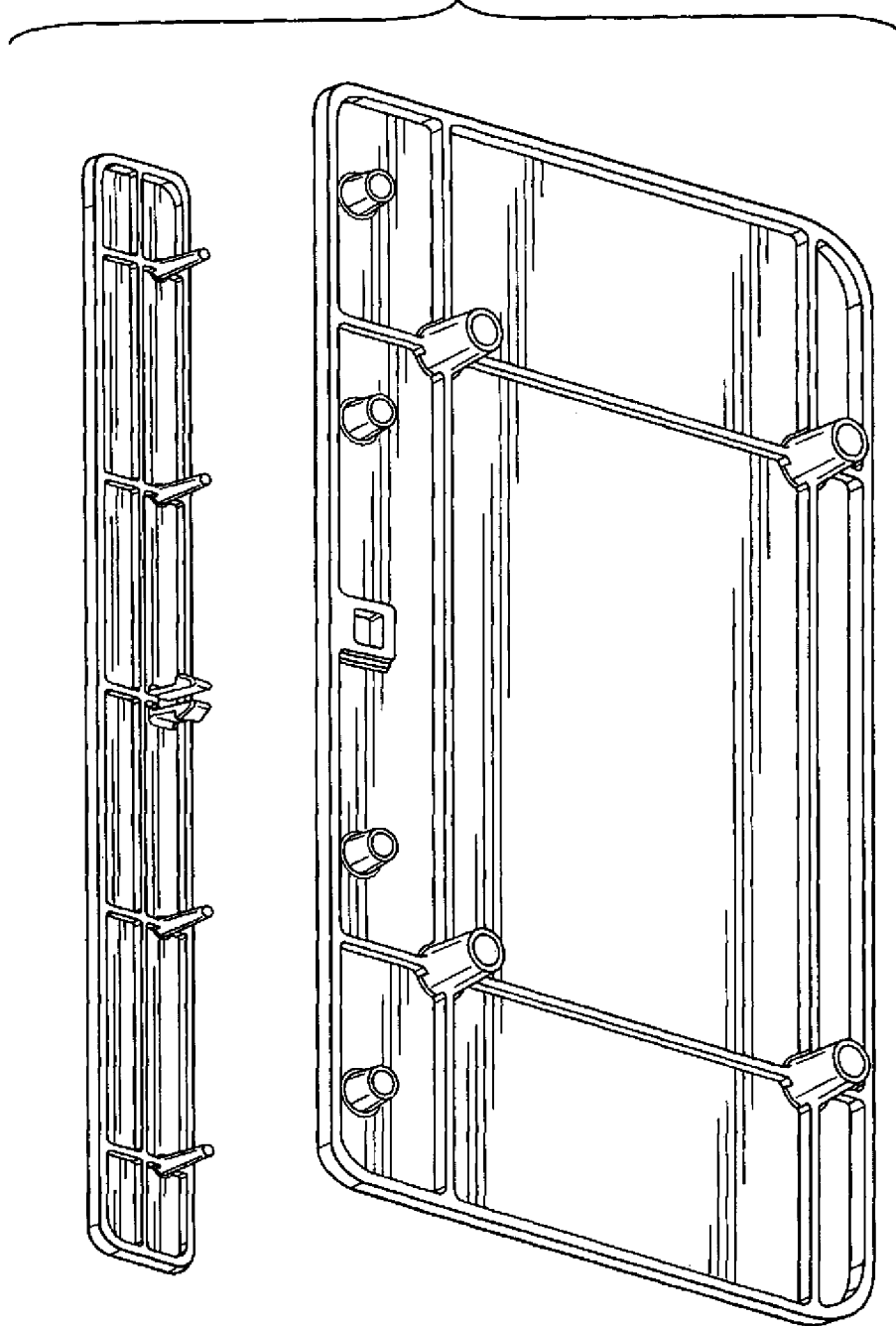


FIG. 3

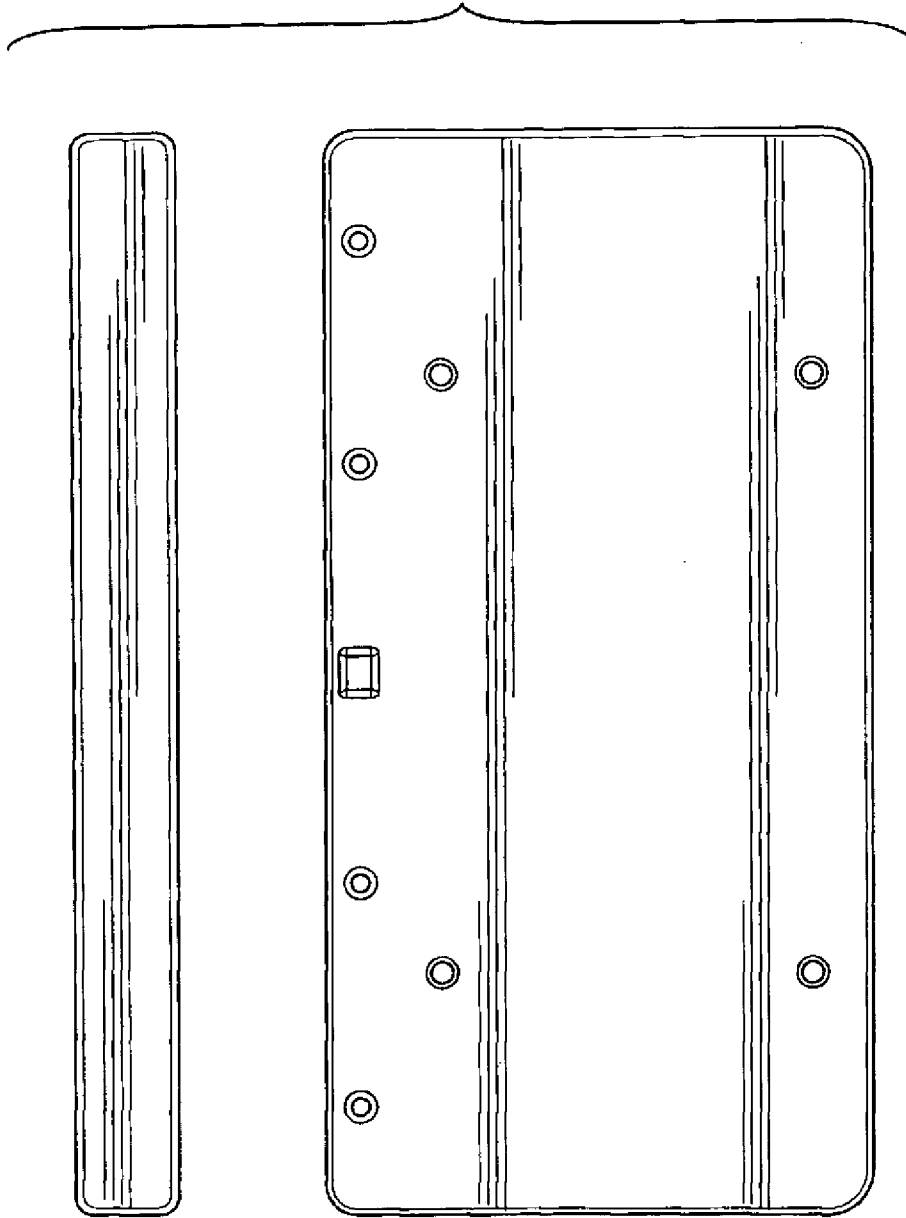
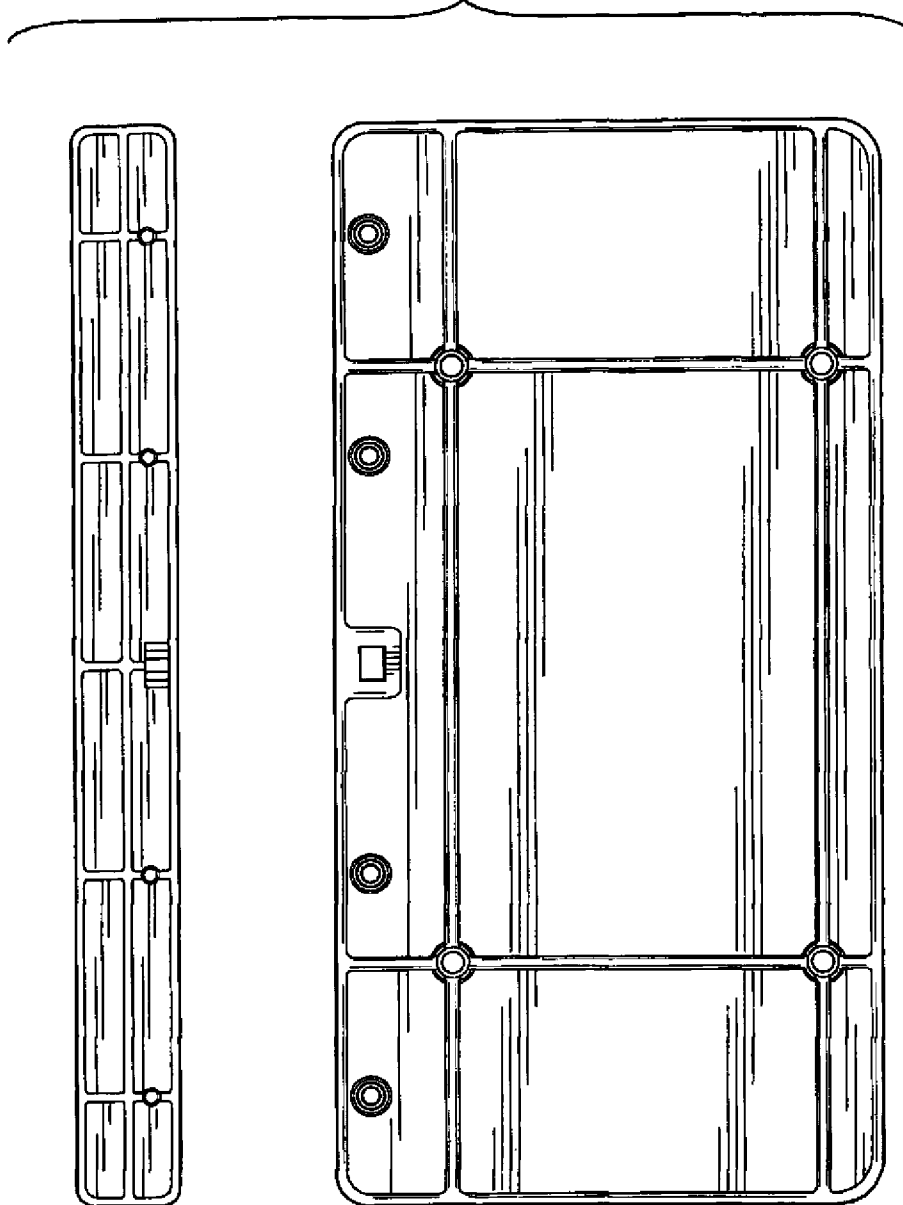


FIG. 4



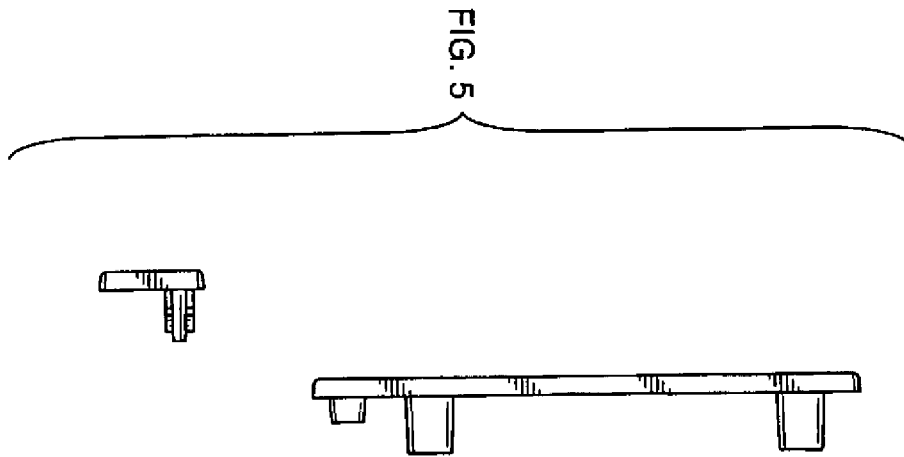


FIG. 6

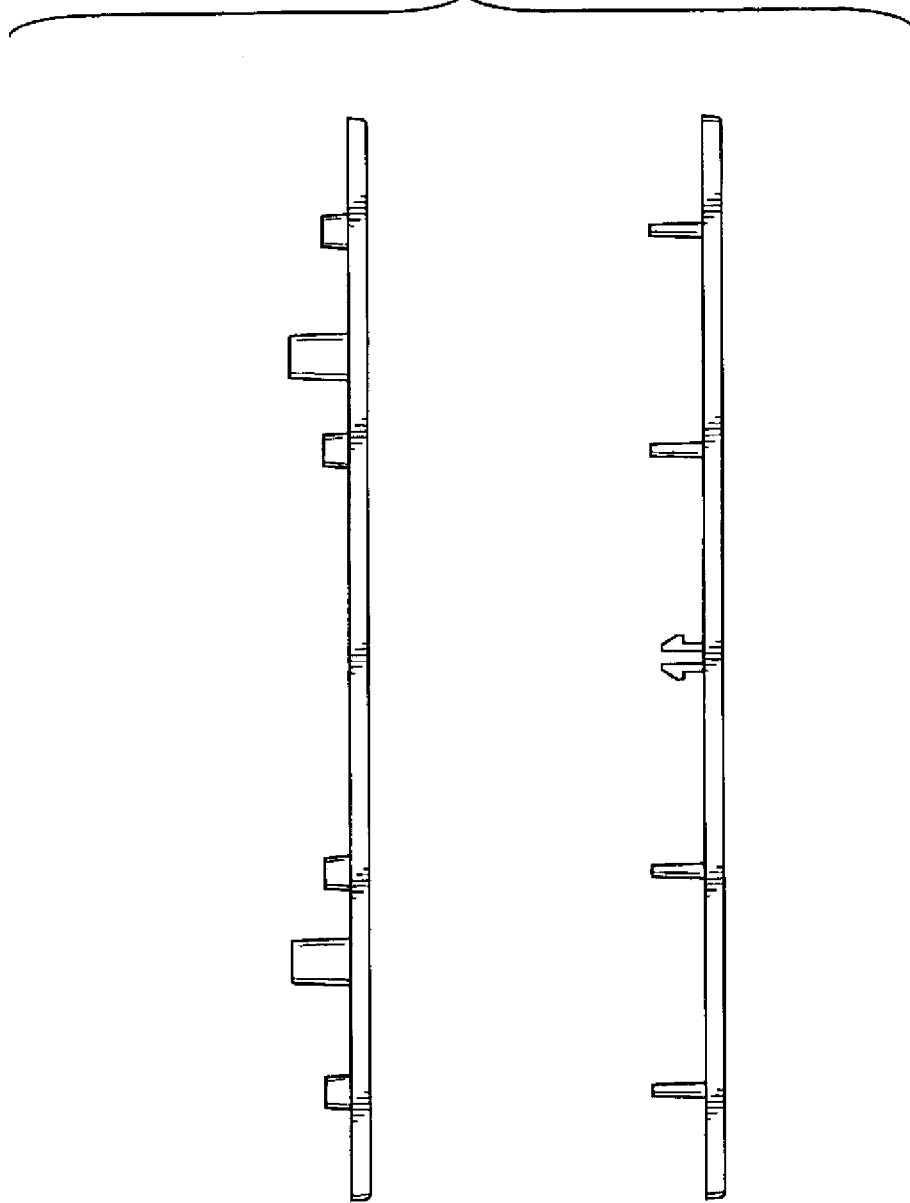


FIG. 7

