



US00D712752S

(12) **United States Design Patent**  
**Stuart**

(10) **Patent No.:** **US D712,752 S**

(45) **Date of Patent:** **\*\* Sep. 9, 2014**

(54) **DUAL RECEPTACLE SYMMETRICAL PACKAGE FOR LIQUIDS**

(76) Inventor: **Geoffrey C. Stuart**, Faulconbridge (AU)

(\*\*) Term: **14 Years**

(21) Appl. No.: **29/419,540**

(22) Filed: **Apr. 30, 2012**

(30) **Foreign Application Priority Data**

Oct. 31, 2011 (AU) ..... 14878/2011

(51) **LOC (10) Cl.** ..... **09-03**

(52) **U.S. Cl.**  
USPC ..... **D9/756**

(58) **Field of Classification Search**

USPC ..... D9/730, 414, 417, 424-429, 457, 737,  
D9/756; 206/457, 527, 540; 220/890;  
229/153, 116.2; D11/145;  
D7/514-515, 571, 613, 619.2

See application file for complete search history.

(56) **References Cited**

**U.S. PATENT DOCUMENTS**

D216,171 S \* 11/1969 Murr ..... D9/415  
D250,092 S \* 10/1978 Schoenfield et al. .... D9/414  
D405,370 S \* 2/1999 Humphrey ..... D9/418  
D411,448 S \* 6/1999 Baker ..... D9/415

D424,428 S \* 5/2000 Hart ..... D9/415  
D428,331 S \* 7/2000 MacTavish ..... D9/415  
D471,442 S \* 3/2003 Lee ..... D9/415  
D485,942 S \* 1/2004 McLeish ..... D28/8.1  
D505,335 S \* 5/2005 Grenda ..... D9/737  
D595,154 S \* 6/2009 Nicholson et al. .... D9/737  
D606,392 S \* 12/2009 Prevost ..... D9/415  
D608,192 S \* 1/2010 L'Hoste et al. .... D9/418  
D627,220 S \* 11/2010 LeMaster et al. .... D9/425  
D631,337 S \* 1/2011 Prevost ..... D9/421  
D638,534 S \* 5/2011 Moga et al. .... D24/113  
D641,616 S \* 7/2011 Prevost ..... D9/420  
D666,089 S \* 8/2012 Armstrong et al. .... D9/415

\* cited by examiner

*Primary Examiner* — Mark Goodwin

(74) *Attorney, Agent, or Firm* — Jackson Patent Law Office

(57) **CLAIM**

The ornamental design for a dual receptacle symmetrical package for liquids, as shown and described.

**DESCRIPTION**

FIG. 1 is a top perspective view of a dual receptacle symmetrical package for liquids showing my new design.

FIG. 2 is a bottom view perspective thereof.

FIG. 3 is a top view thereof.

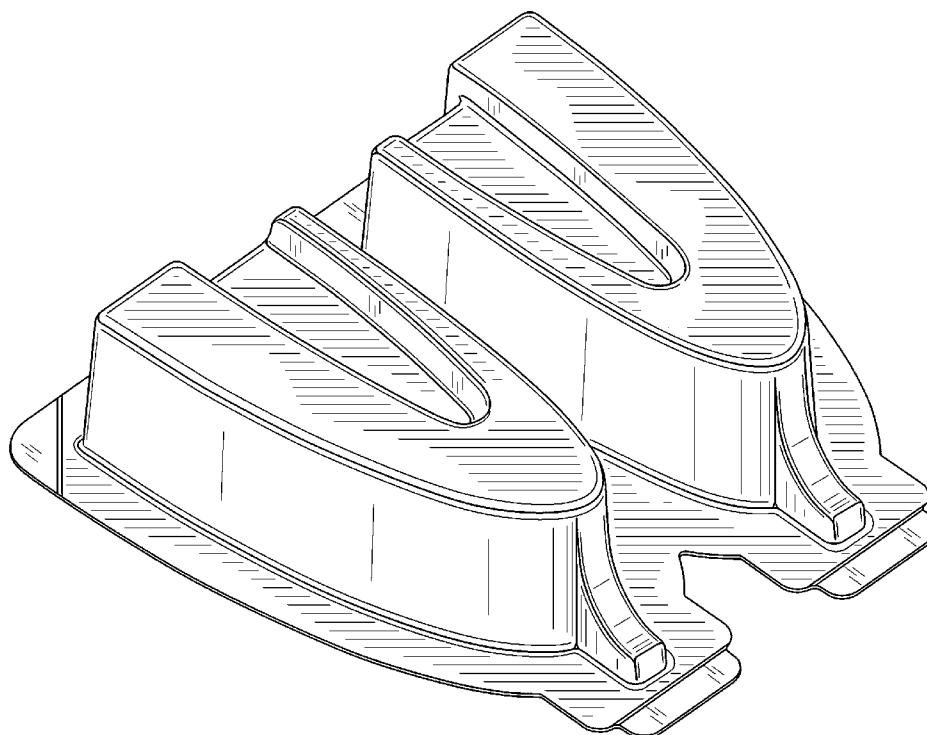
FIG. 4 is a bottom view thereof.

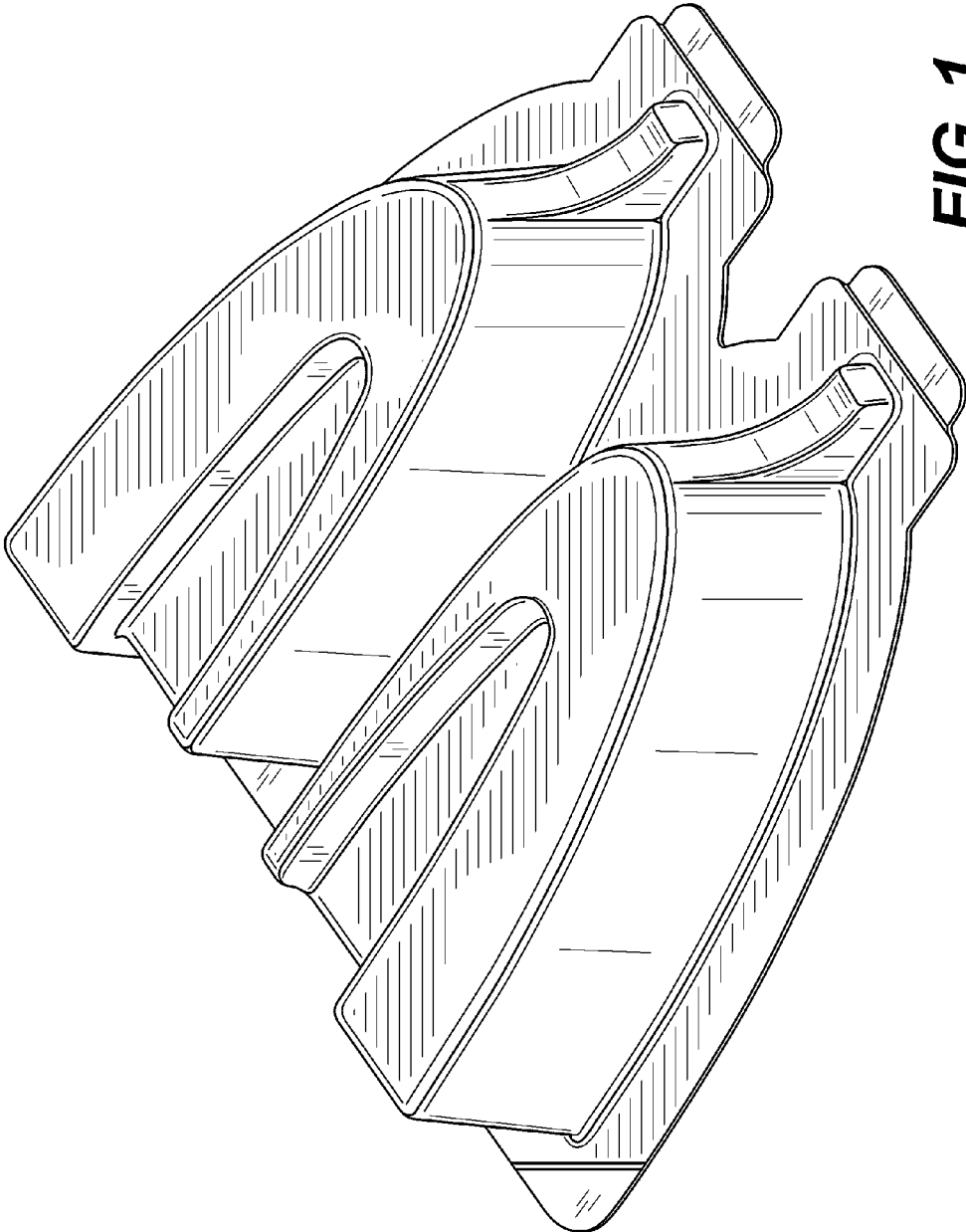
FIG. 5 is a side view thereof.

FIG. 6 is a front view thereof; and,

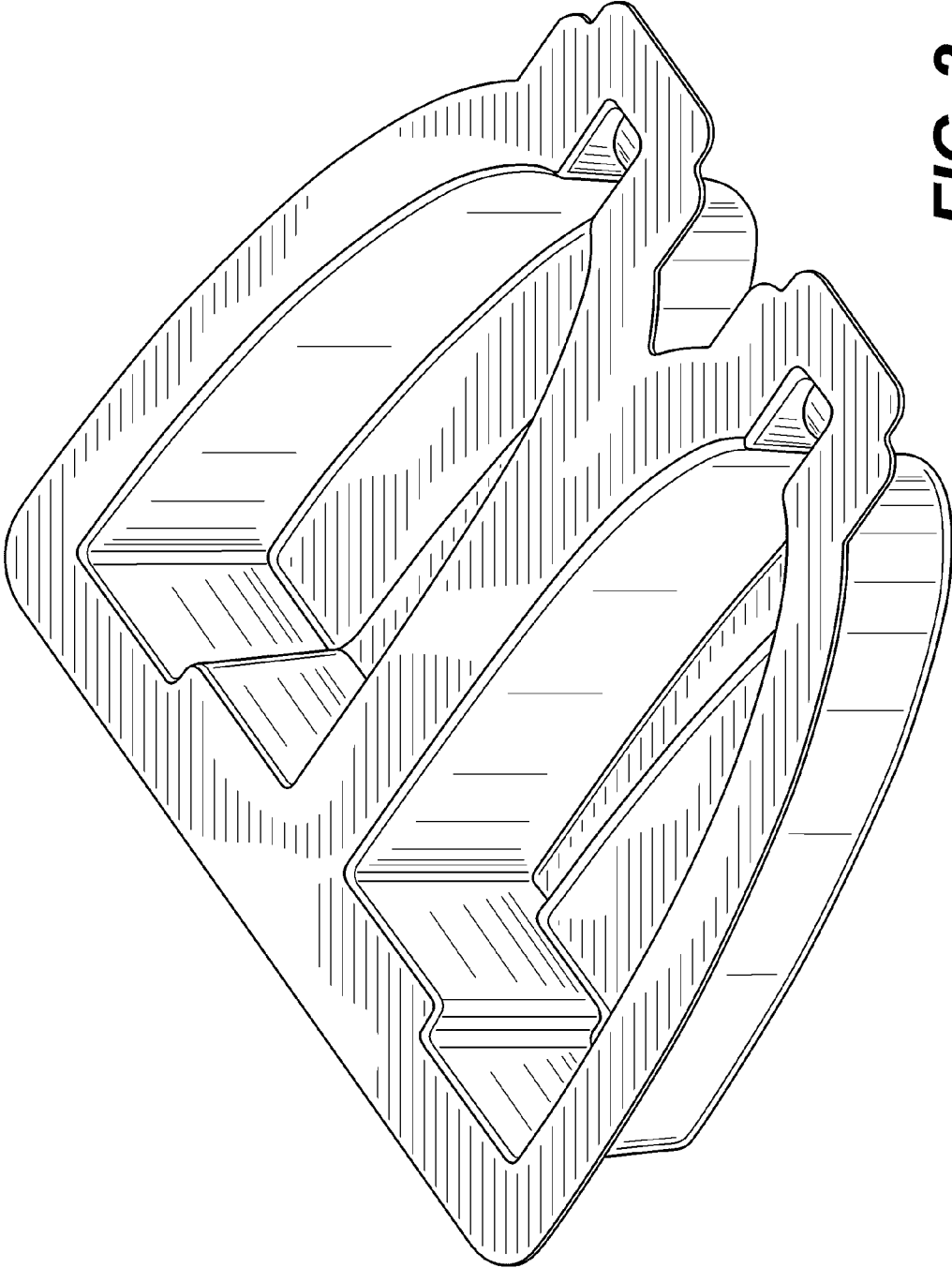
FIG. 7 is a back view thereof.

**1 Claim, 5 Drawing Sheets**

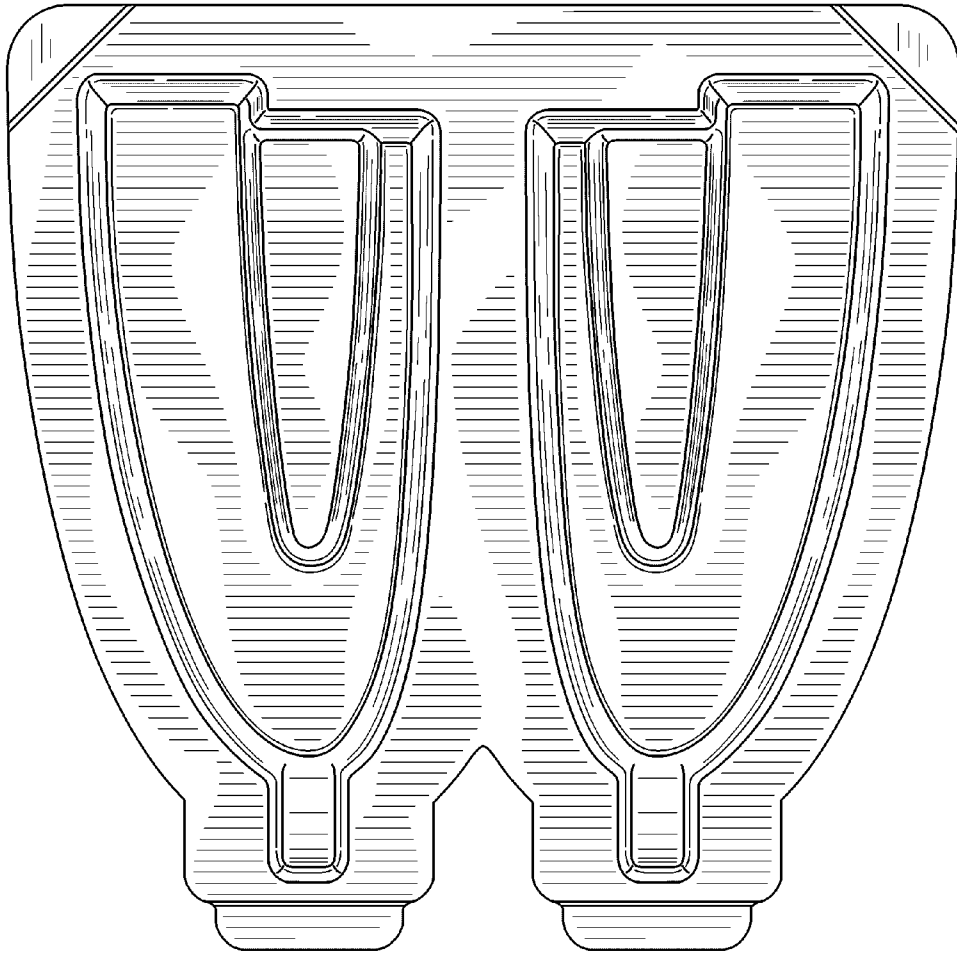




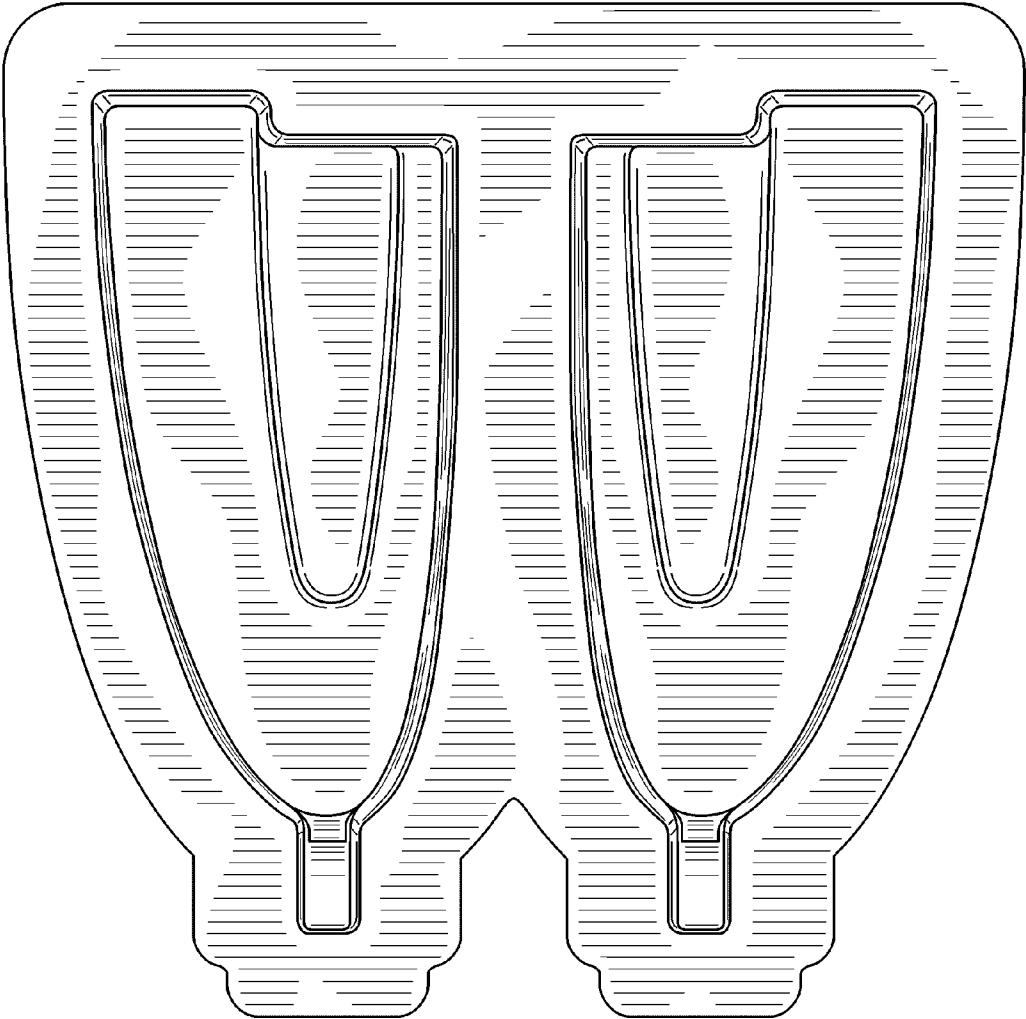
**FIG. 1**



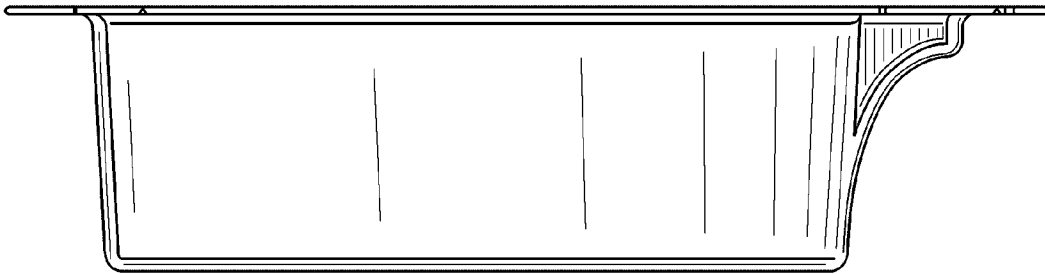
**FIG. 2**



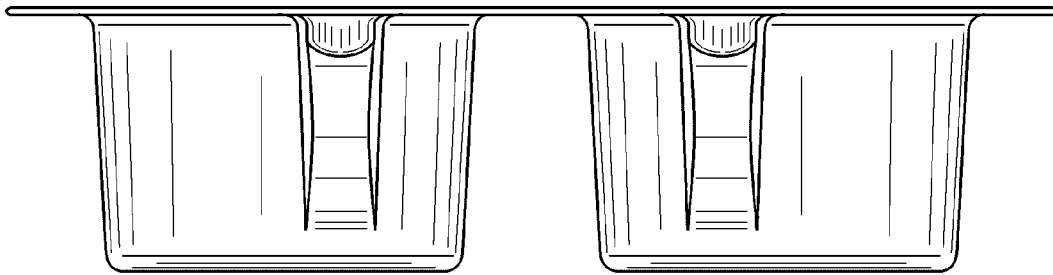
**FIG. 3**



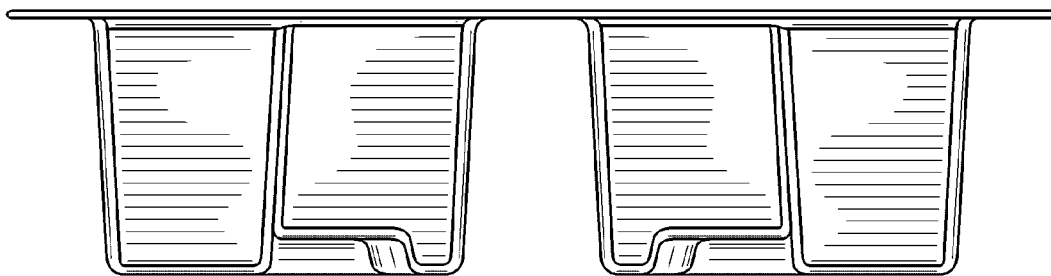
**FIG. 4**



**FIG. 5**



**FIG. 6**



**FIG. 7**