



US00D448292B1

(12) **United States Design Patent** (10) **Patent No.:** **US D448,292 S**
Lichtman et al. (45) **Date of Patent:** **** Sep. 25, 2001**

- (54) **BOTTLE PORTION**
- (75) Inventors: **Jeff Lichtman**, Chicago; **Dean Lindsay**, Winnetka; **Jason Martin**, Chicago, all of IL (US)
- (73) Assignee: **Stokely-Van Camp, Inc.**, Chicago, IL (US)
- (**) Term: **14 Years**
- (21) Appl. No.: **29/135,585**
- (22) Filed: **Jan. 22, 2001**

- D. 361,269 * 8/1995 Fenton et al. D9/540
- D. 387,279 * 12/1997 Emre et al. D9/564
- D. 390,471 * 2/1998 Ito D9/539
- 6,044,997 * 4/2000 Ogg 215/381

* cited by examiner

Primary Examiner—Lucy Lieberman
(74) *Attorney, Agent, or Firm*—Lars S. Johnson

(57) **CLAIM**

The ornamental design for a bottle portion, as shown and described.

DESCRIPTION

FIG. 1 is a perspective view of a bottle portion embodying our new design;
 FIG. 2 is a front elevational view of the bottle portion depicted in FIG. 1, the opposite rear elevational view being identical;
 FIG. 3 is a side elevational view of the bottle portion depicted in FIG. 2, representing a partial rotation of the bottle portion about its vertical center axis from the front elevational view depicted in FIG. 2, the opposite side elevational view being identical; and,
 FIG. 4 is a top plan view of the bottle portion depicted in FIG. 2.

The broken line environmental showing is for illustrative purposes only and does not form part of the claimed design.

1 Claim, 2 Drawing Sheets

Related U.S. Application Data

- (62) Division of application No. 29/102,586, filed on Mar. 26, 1999, now Pat. No. Des. 440,157.
- (51) **LOC (7) Cl.** **09-01**
- (52) **U.S. Cl.** **D9/434**
- (58) **Field of Search** D9/538, 539, 540, D9/537, 551, 564, 434, 307, 554, 567; 215/381, 382, 383, 384

References Cited

U.S. PATENT DOCUMENTS

- D. 182,540 * 4/1958 Soubier D9/539
- D. 224,511 * 8/1972 Koenigsberg D9/551
- D. 231,083 * 4/1974 Campbell D9/551

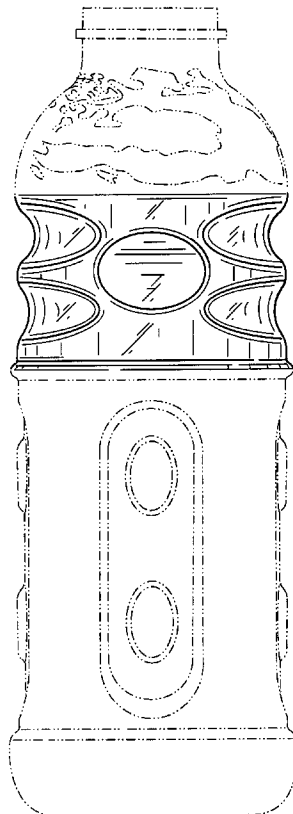


FIG. 1

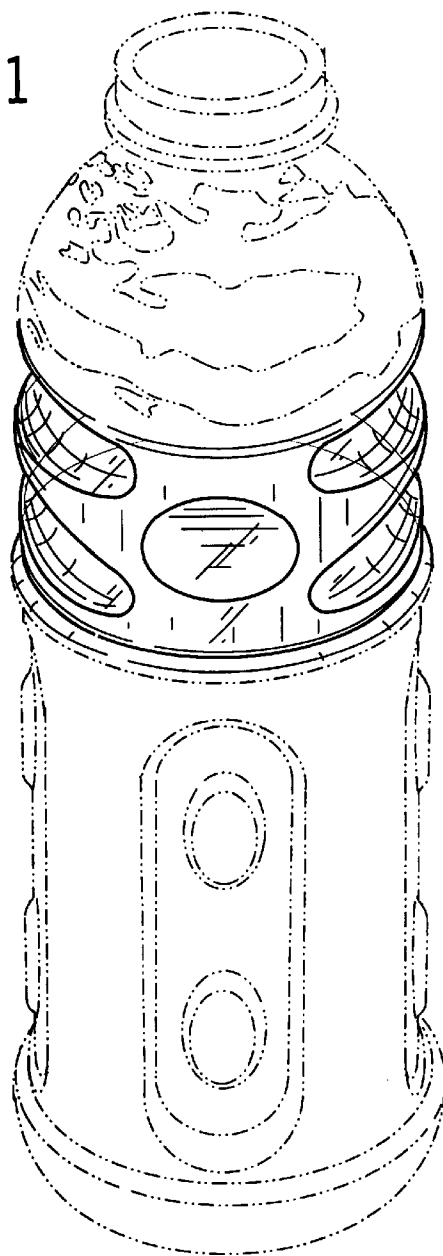


FIG. 4



FIG. 2

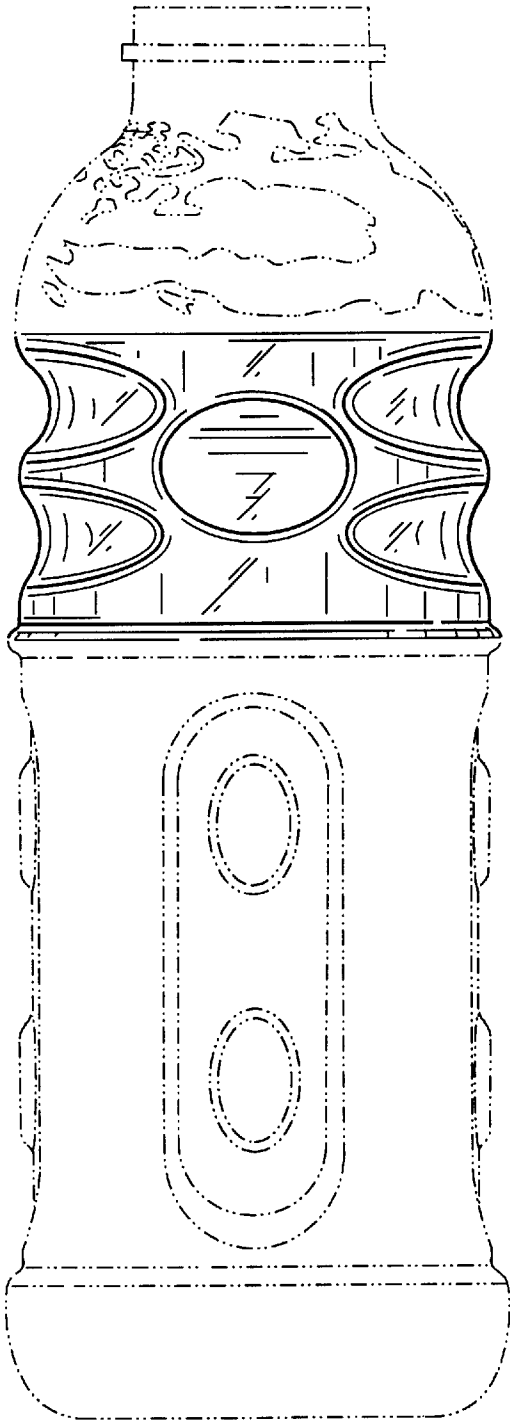


FIG. 3

