



US00D396240S

United States Patent [19]
Hasegawa

[11] **Patent Number:** **Des. 396,240**

[45] **Date of Patent:** ****Jul. 21, 1998**

[54] **TV CAMERA**

[75] **Inventor:** **Fumio Hasegawa, Nishio, Japan**

[73] **Assignee:** **Elmo Company Limited, Japan**

[**] **Term:** **14 Years**

[21] **Appl. No.:** **56,405**

[22] **Filed:** **Jun. 28, 1996**

[30] **Foreign Application Priority Data**

Dec. 28, 1995 [JP] Japan 7-39441
May 8, 1996 [JP] Japan 8-13359

[51] **LOC (6) Cl.** **16-01**

[52] **U.S. Cl.** **D16/202; D16/134; D16/203**

[58] **Field of Search** **D16/134, 136,
D16/219, 200, 201-206, 208, 237; 348/143,
373-376; 396/535-543, 382; H04N 5/225**

[56] **References Cited**

U.S. PATENT DOCUMENTS

D. 178,909 10/1956 Wittel et al. D16/134
D. 182,079 2/1958 Macomber D16/134
D. 357,929 5/1995 Pierce D16/202
D. 375,109 10/1996 Hartman D16/202

FOREIGN PATENT DOCUMENTS

08009207 1/1996 Japan H04N 5/225

OTHER PUBLICATIONS

VP-S by UCHIDA (Issue Date: Mar. 1995).

Primary Examiner—Sandra L. Morris

Assistant Examiner—Adir Aronovich

Attorney, Agent, or Firm—Ostrolenk, Faber, Gerb & Soffen, LLP

[57] **CLAIM**

The ornamental design for a TV camera, as shown.

DESCRIPTION

FIG. 1 is a front view of a TV camera embodying my new design;

FIG. 2 is a rear view thereof;

FIG. 3 is a left side view thereof;

FIG. 4 is a right side view thereof;

FIG. 5 is a bottom plan view thereof;

FIG. 6 is a top plan view thereof;

FIG. 7 is a perspective view as seen from the top and left front of present FIG. 1; and,

FIG. 8 is a perspective view as seen from the top and right front of present FIG. 1.

1 Claim, 7 Drawing Sheets

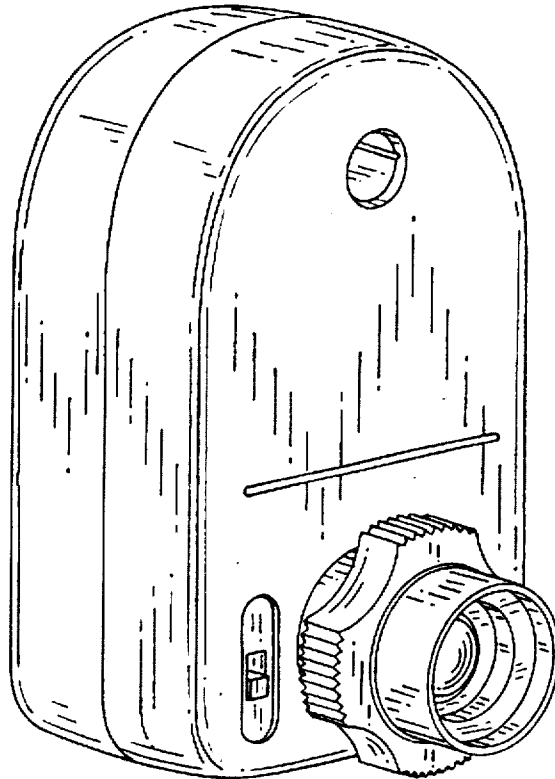


Fig. 1

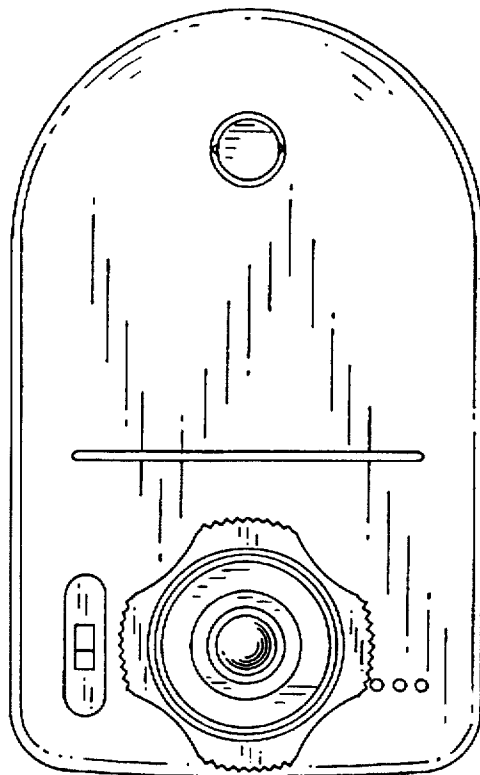


Fig. 2

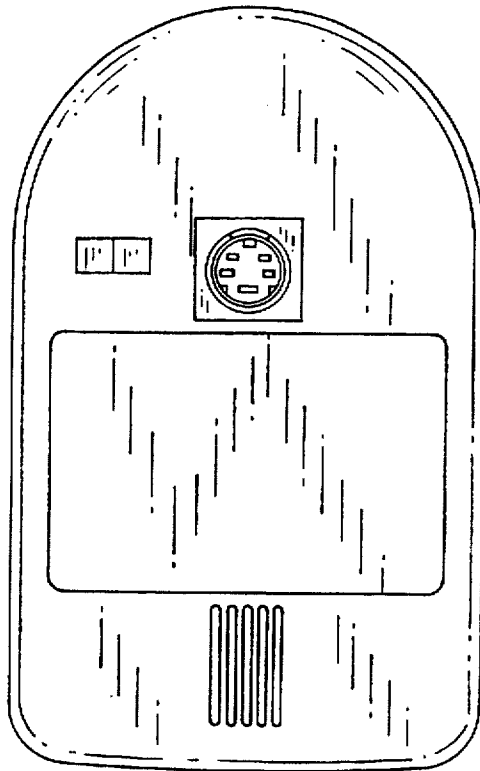


Fig. 3

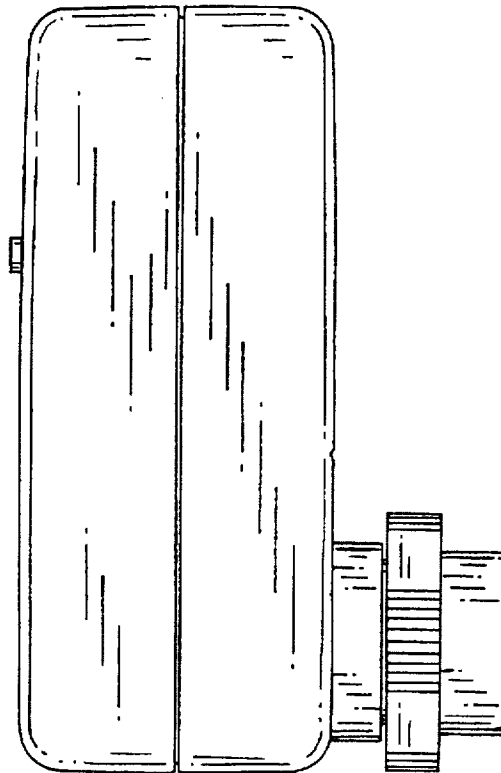


Fig. 4

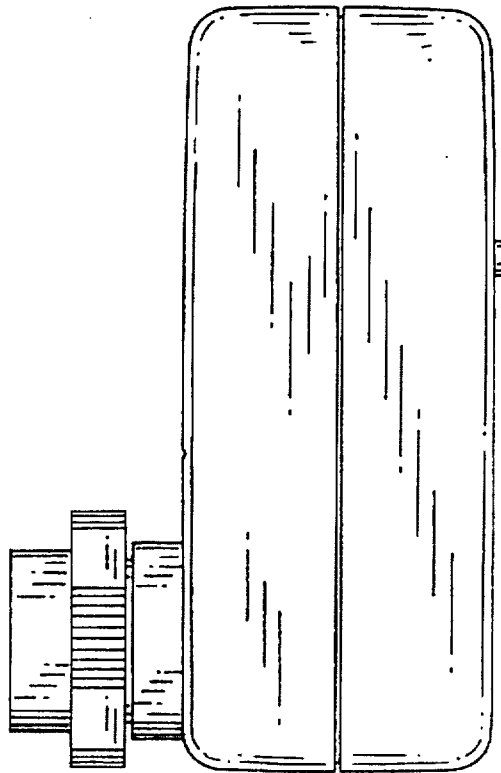


Fig. 5

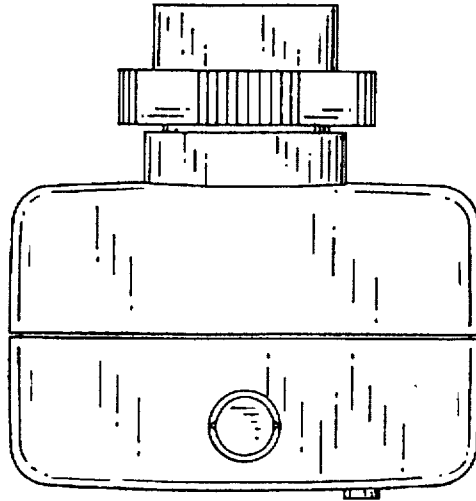


Fig. 6

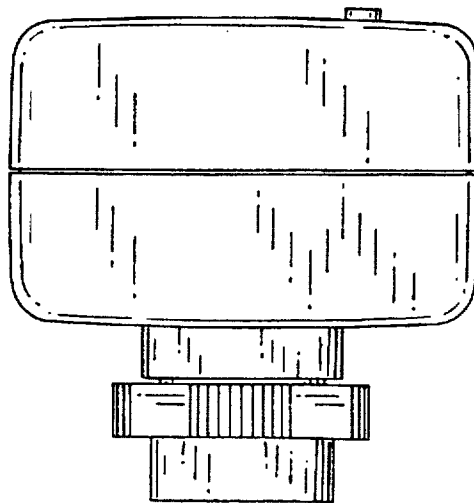


Fig. 7

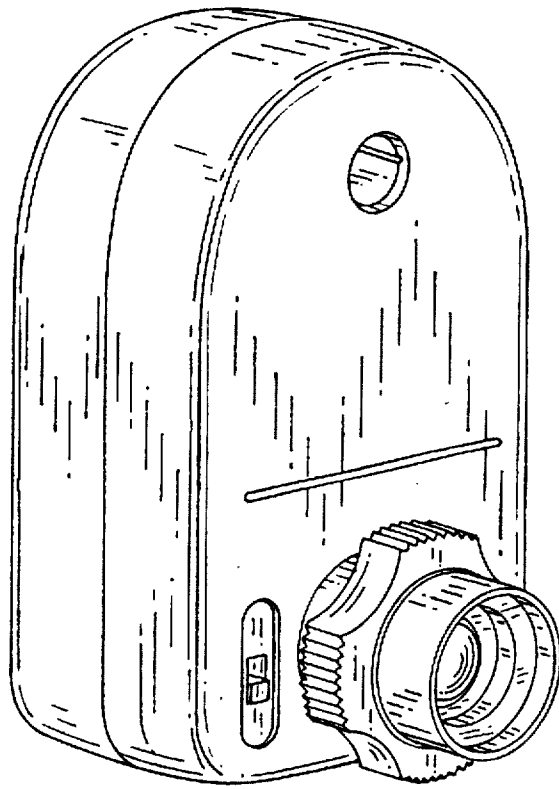


Fig. 8

