



US00D876972S

(12) **United States Design Patent**  
**Yoon et al.**

(10) **Patent No.:** **US D876,972 S**  
(45) **Date of Patent:** **\*\* Mar. 3, 2020**

(54) **BODY COMPOSITION ANALYZER**

(71) Applicant: **LG ELECTRONICS INC.**, Seoul (KR)

(72) Inventors: **Hyunjin Yoon**, Seoul (KR); **Hophil Lee**, Seoul (KR)

(73) Assignee: **LG ELECTRONICS INC.**, Seoul (KR)

(\*\*) Term: **15 Years**

(21) Appl. No.: **35/506,608**

(22) Filed: **Jul. 27, 2018**

(80) **Hague Agreement Data**

Int. Filing Date: **Jul. 27, 2018**  
Int. Reg. No.: **DM/102296**  
Int. Reg. Date: **Jul. 27, 2018**  
Int. Reg. Pub. Date: **Feb. 1, 2019**

(30) **Foreign Application Priority Data**

Feb. 2, 2018 (KR) ..... 30-2018-0006013

(51) **LOC (12) Cl.** ..... **10-04**

(52) **U.S. Cl.**  
USPC ..... **D10/83**

(58) **Field of Classification Search**  
USPC ..... D10/91, 92, 83  
CPC .. A61B 10/0045; A61B 5/0537; A61B 5/0031  
See application file for complete search history.

(56) **References Cited**

**U.S. PATENT DOCUMENTS**

D293,491 S \* 12/1987 Fronske ..... D28/66  
6,400,983 B1 \* 6/2002 Cha ..... A61B 5/0537  
600/547

D546,219 S \* 7/2007 Juteau ..... D10/91  
D700,092 S \* 2/2014 Ogihara ..... D10/92  
D700,093 S \* 2/2014 Gomez ..... D10/91  
D726,566 S \* 4/2015 Ogihara ..... D10/92  
D731,356 S \* 6/2015 Luke ..... D11/207  
D737,706 S \* 9/2015 Peluso ..... D10/92  
D780,436 S \* 3/2017 Fraser ..... D3/207  
D781,165 S \* 3/2017 Rouillac ..... D10/91  
D815,967 S \* 4/2018 Ramasarma ..... D10/104.1  
10,398,529 B2 \* 9/2019 Cho ..... A61B 10/0045  
2013/0197332 A1 \* 8/2013 Lucisano ..... A61B 5/0031  
600/345

\* cited by examiner

*Primary Examiner* — George D. Kirschbaum

(74) *Attorney, Agent, or Firm* — Birch, Stewart, Kolasch & Birch, LLP

(57) **CLAIM**

The ornamental design for body composition analyzer, as shown and described.

**DESCRIPTION**

1. Body composition analyzer

**1.1** : Perspective

**1.2** : Front

**1.3** : Back

**1.4** : Left

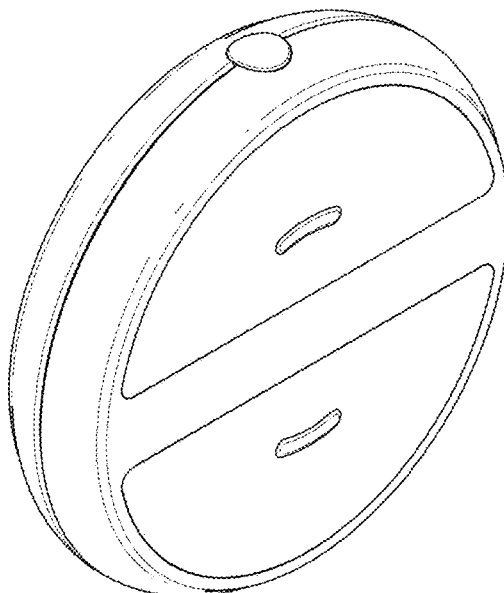
**1.5** : Right

**1.6** : Top

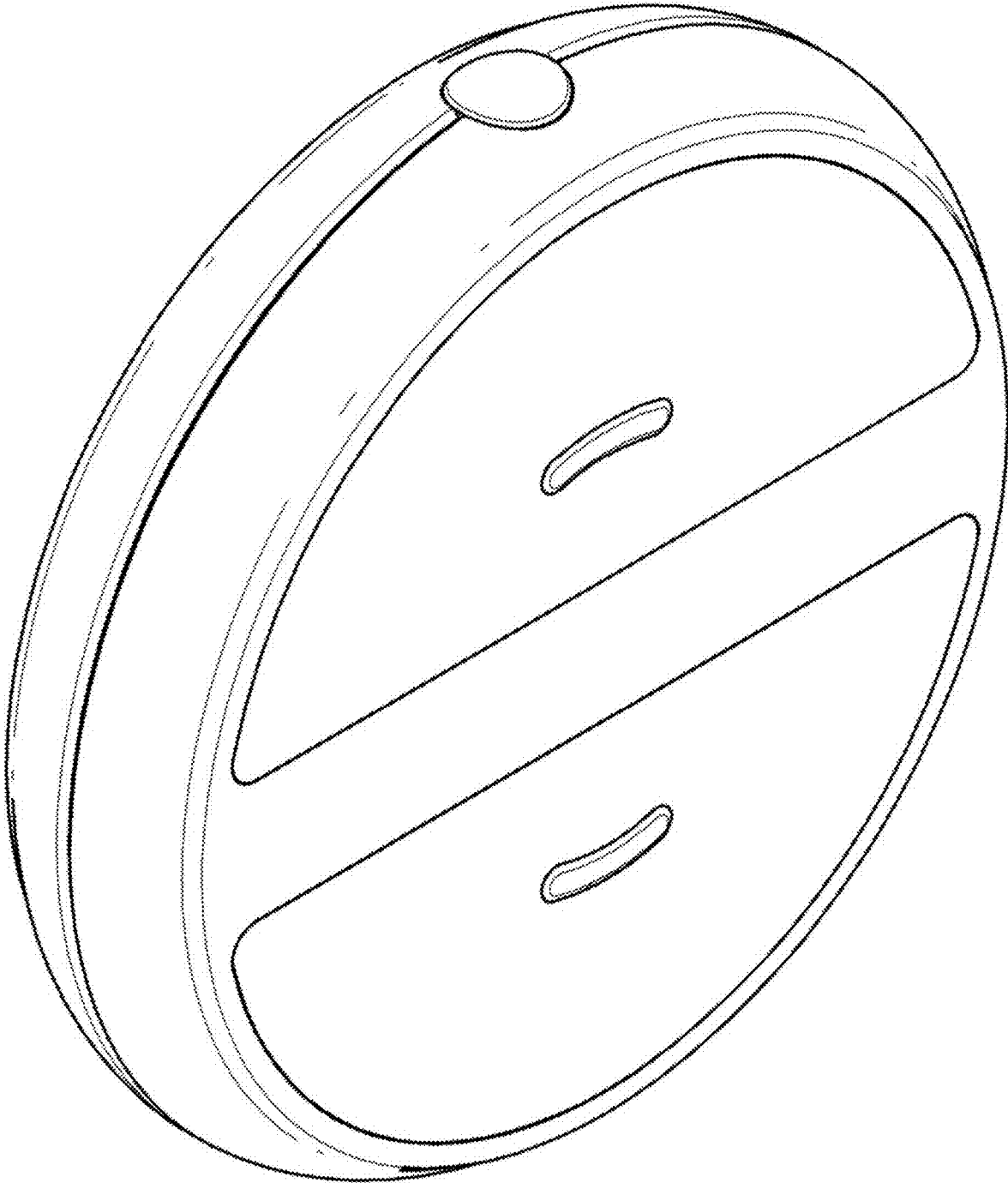
**1.7** : Bottom

The broken lines indicate unclaimed portion of the article that form no part of the claimed design.

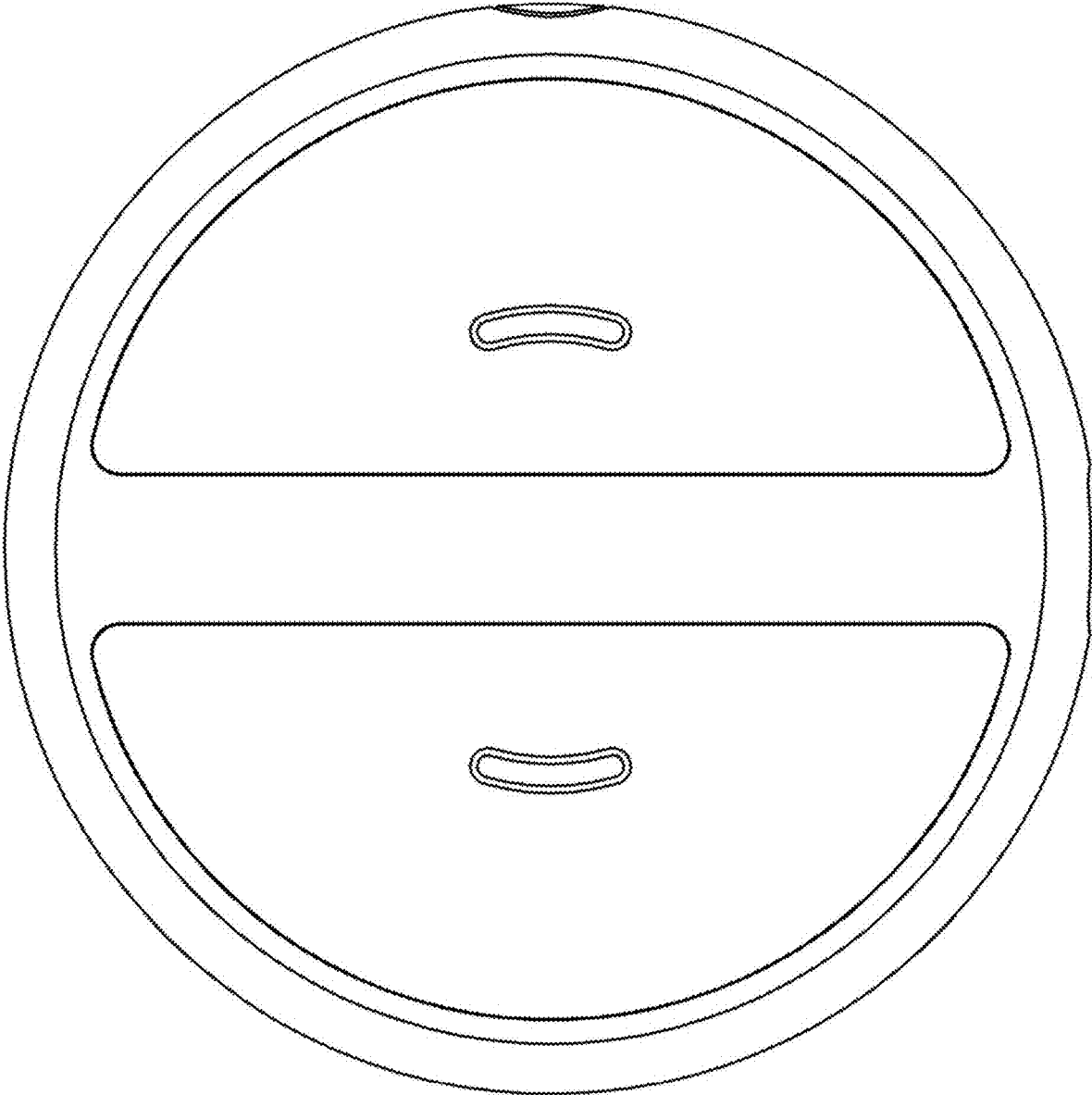
**1 Claim, 7 Drawing Sheets**



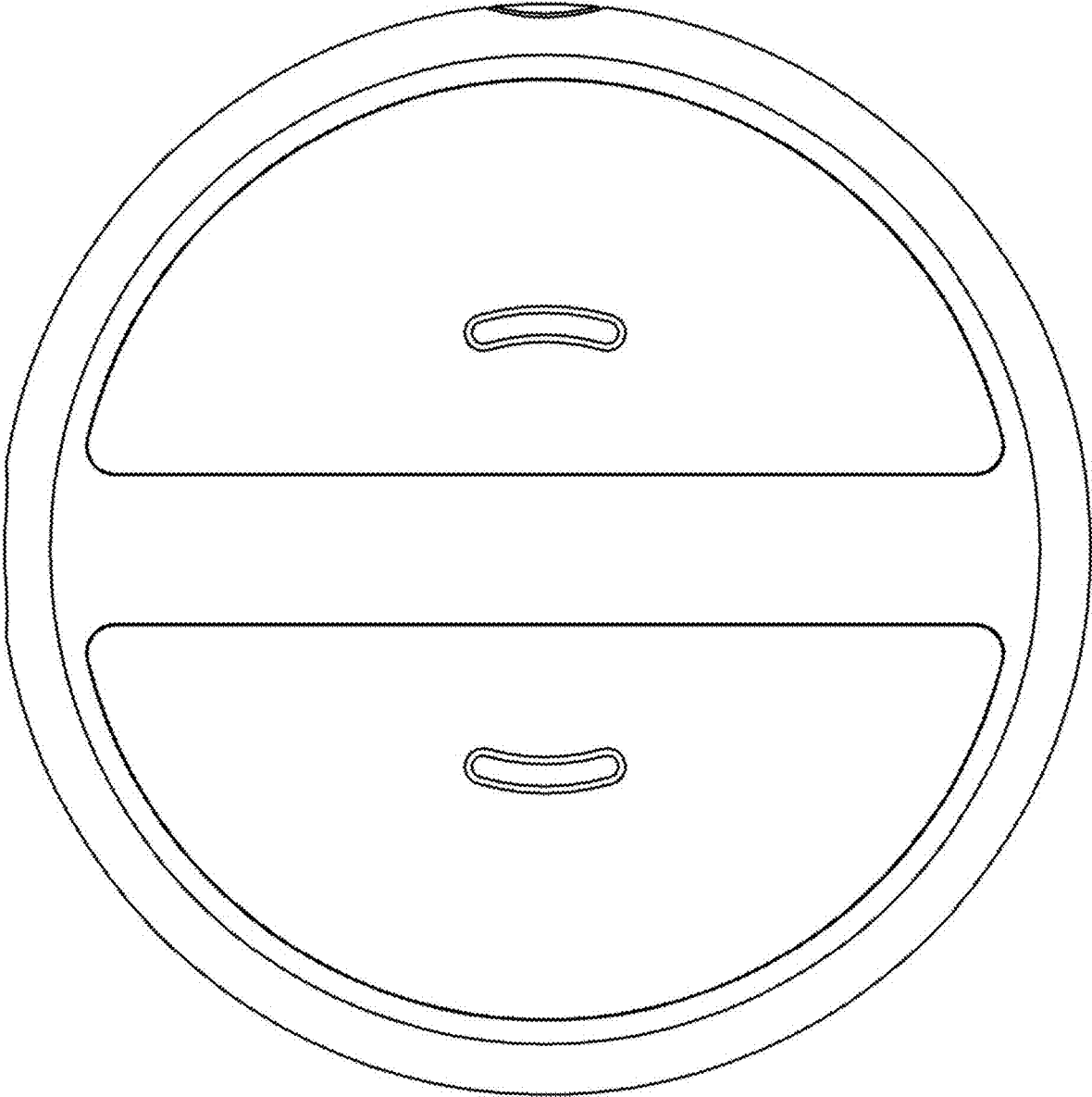
1.1



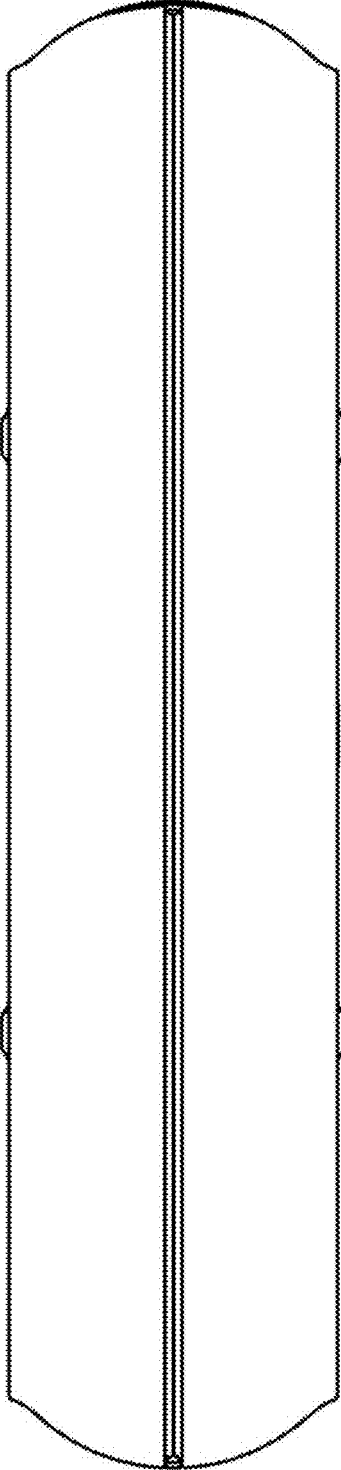
1.2



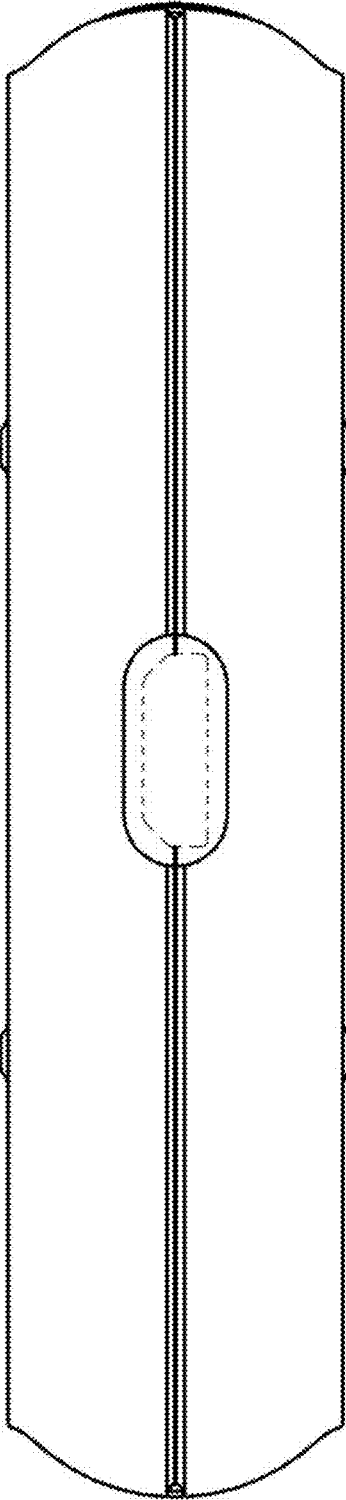
1.3



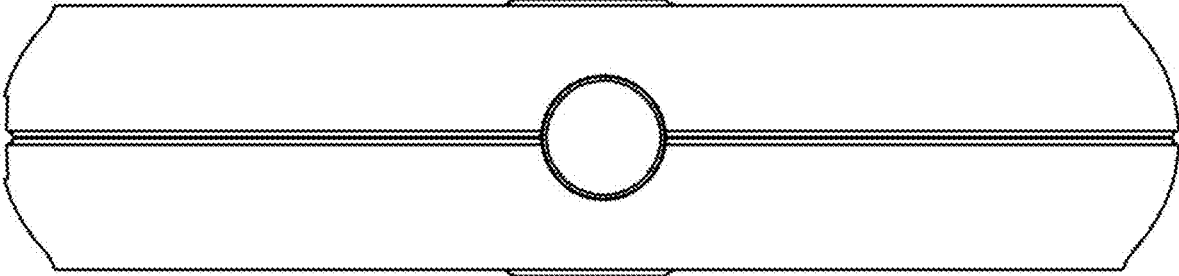
1.4



1.5



1.6



1.7

