

(19) World Intellectual Property Organization
International Bureau



(43) International Publication Date
22 October 2009 (22.10.2009)

(10) International Publication Number
WO 2009/129071 A3

(51) International Patent Classification:
G01R 31/02 (2006.01) *G11B 20/18* (2006.01)

Brian, J. [US/US]; 7571 Weld County Road 38, Johnstown, CO 80534 (US).

(21) International Application Number:
PCT/US2009/039590

(74) Agents: **PYSHER, Paul, A.** et al.; Fish & Richardson P.C., PO Box 1022, Minneapolis, MN 55440-1022 (US).

(22) International Filing Date:
6 April 2009 (06.04.2009)

(81) Designated States (unless otherwise indicated, for every kind of national protection available): AE, AG, AL, AM, AO, AT, AU, AZ, BA, BB, BG, BH, BR, BW, BY, BZ, CA, CH, CN, CO, CR, CU, CZ, DE, DK, DM, DO, DZ, EC, EE, EG, ES, FI, GB, GD, GE, GH, GM, GT, HN, HR, HU, ID, IL, IN, IS, JP, KE, KG, KM, KN, KP, KR, KZ, LA, LC, LK, LR, LS, LT, LU, LY, MA, MD, ME, MG, MK, MN, MW, MX, MY, MZ, NA, NG, NI, NO, NZ, OM, PG, PH, PL, PT, RO, RS, RU, SC, SD, SE, SG, SK, SL, SM, ST, SV, SY, TJ, TM, TN, TR, TT, TZ, UA, UG, US, UZ, VC, VN, ZA, ZM, ZW.

(25) Filing Language: English

(26) Publication Language: English

(30) Priority Data:
12/104,536 17 April 2008 (17.04.2008) US

(71) Applicant (for all designated States except US): **TERADYNE, INC.** [US/US]; 700 Riverpark Drive, North Reading, MA 01864 (US).

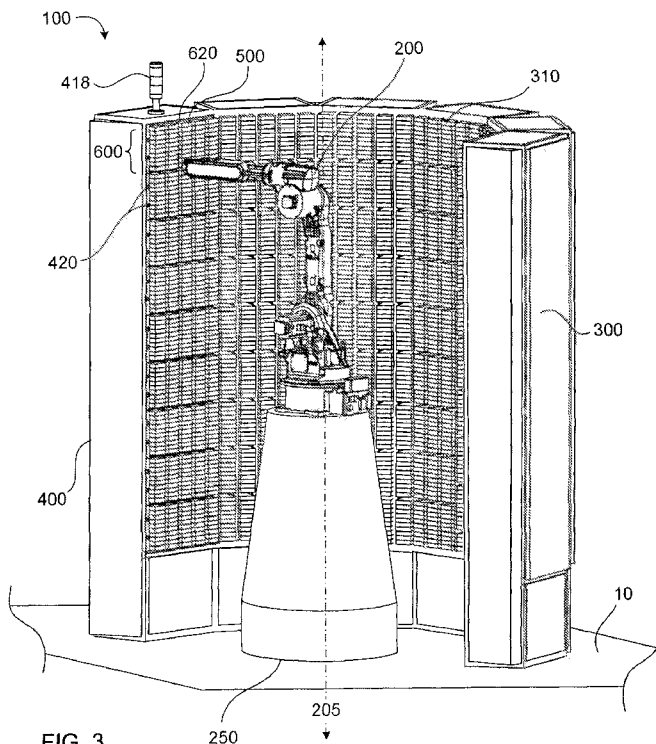
(72) Inventors; and

(84) Designated States (unless otherwise indicated, for every kind of regional protection available): ARIPO (BW, GH, GM, KE, LS, MW, MZ, NA, SD, SL, SZ, TZ, UG, ZM, ZW), Eurasian (AM, AZ, BY, KG, KZ, MD, RU, TJ, TM), European (AT, BE, BG, CH, CY, CZ, DE, DK, EE, ES, FI, FR, GB, GR, HR, HU, IE, IS, IT, LT, LU, LV, MC, MK, MT, NL, NO, PL, PT, RO, SE, SI, SK, TR),

(75) Inventors/Applicants (for US only): **POLYAKOV, Evgeny** [US/US]; 157 Jordan Road, Brookline, MA 02446 (US). **GARCIA, Edward** [US/US]; 30 Linfield Street, Holbrook, MA 02343 (US). **TRUEBENBACH, Eric, L.** [US/US]; 5 Firecut Lane, Sudbury, MA 01776 (US). **MERROW, Brian, S.** [US/US]; 81 Lancaster County Road, Harvard, MA 01451 (US). **WHITAKER,**

[Continued on next page]

(54) Title: TRANSFERRING DISK DRIVES WITHIN DISK DRIVE TESTING SYSTEMS



(57) Abstract: A method of transferring disk drives (500) within a disk drive testing system (100) includes actuating an automated transporter (200) to retrieve multiple disk drives presented for testing, and actuating the automated transporter to deliver each retrieved disk drive to a respective test slot (310) of the disk drive testing system and insert each disk drive in the respective test slot.

WO 2009/129071 A3



OAPI (BF, BJ, CF, CG, CI, CM, GA, GN, GQ, GW, ML,
MR, NE, SN, TD, TG).

— *before the expiration of the time limit for amending the
claims and to be republished in the event of receipt of
amendments (Rule 48.2(h))*

Published:

— *with international search report (Art. 21(3))*

(88) Date of publication of the international search report:

23 December 2009

A. CLASSIFICATION OF SUBJECT MATTER*G01R 31/02(2006.01)i, G11B 20/18(2006.01)i*

According to International Patent Classification (IPC) or to both national classification and IPC

B. FIELDS SEARCHED

Minimum documentation searched (classification system followed by classification symbols)

IPC 8 : G01R

Documentation searched other than minimum documentation to the extent that such documents are included in the fields searched

Korean Utility Models and applications for Utility Models since 1975; IPC above

Japanese Utility Models and applications for Utility Models since 1975; IPC above

Electronic data base consulted during the international search (name of data base and, where practicable, search terms used)

eKOMPASS(KIPO internal) & keywords: "HDD", "hard disk", "test", "verification", "transporter", "cover"

C. DOCUMENTS CONSIDERED TO BE RELEVANT

Category*	Citation of document, with indication, where appropriate, of the relevant passages	Relevant to claim No.
Y A	US 2006-0269384 A1 (KIAIE, J. et al.) 30 November 2006 See abstract and figure 1.	1, 7, 16, 20 2-6, 8-15, 17-19, 21-23
Y A	KR 20-0369365 Y1 (SEMISYS CO. LTD.) 24 November 2004 See abstract and figure 1.	1, 7, 16, 20 2-6, 8-15, 17-19, 21-23
Y	US 7088541 B2 (ORRISS, D. J. et al.) 8 August 2006 See abstract and figures 1-6.	1-23
Y	US 6124707 A (Kim, J. et al.) 26 September 2000 See abstract and figures 1-7.	1-23



Further documents are listed in the continuation of Box C.



See patent family annex.

* Special categories of cited documents:

"A" document defining the general state of the art which is not considered to be of particular relevance

"E" earlier application or patent but published on or after the international filing date

"L" document which may throw doubts on priority claim(s) or which is cited to establish the publication date of citation or other special reason (as specified)

"O" document referring to an oral disclosure, use, exhibition or other means

"P" document published prior to the international filing date but later than the priority date claimed

"T" later document published after the international filing date or priority date and not in conflict with the application but cited to understand the principle or theory underlying the invention

"X" document of particular relevance; the claimed invention cannot be considered novel or cannot be considered to involve an inventive step when the document is taken alone

"Y" document of particular relevance; the claimed invention cannot be considered to involve an inventive step when the document is combined with one or more other such documents, such combination being obvious to a person skilled in the art

"&" document member of the same patent family

Date of the actual completion of the international search

29 OCTOBER 2009 (29.10.2009)

Date of mailing of the international search report

30 OCTOBER 2009 (30.10.2009)

Name and mailing address of the ISA/KR

Korean Intellectual Property Office
Government Complex-Daejeon, 139 Seonsa-ro, Seo-gu,
Daejeon 302-701, Republic of Korea

Facsimile No. 82-42-472-7140

Authorized officer

Park Jang Hwan

Telephone No. 82-42-481-8463



INTERNATIONAL SEARCH REPORT

Information on patent family members

International application No.

PCT/US2009/039590

Patent document cited in search report	Publication date	Patent family member(s)	Publication date
US 2006-269384 A1	30.11.2006	US 07435046 B2	14.10.2008
KR 20-0369365 Y1	24.11.2004	None	
US 07088541 B2	08.08.2006	CN 1561520 A CN 100423125 C EP 1421587 B1 EP 1428217 B1 US 07054150 B2 US 2005-0007691 A1 US 2004-0264121 A1 WO 2003-021597 A1 WO 2003-021598 A1	05.01.2005 01.10.2008 22.02.2006 25.10.2006 30.05.2006 13.01.2005 30.12.2004 13.03.2003 13.03.2003
US 06124707 A	26.09.2000	KR 10-0209017 B1	15.07.1999