



US00D792015S

(12) **United States Design Patent**
Xiao

(10) **Patent No.:** **US D792,015 S**

(45) **Date of Patent:** **** Jul. 11, 2017**

(54) **TABLE LAMP**

(71) Applicant: **Gang Xiao**, Shenzhen (CN)

(72) Inventor: **Gang Xiao**, Shenzhen (CN)

(**) Term: **15 Years**

(21) Appl. No.: **29/529,005**

(22) Filed: **Jun. 2, 2015**

(30) **Foreign Application Priority Data**

Dec. 5, 2014 (CN) 2014 3 0501632

(51) **LOC (10) Cl.** **26-03**

(52) **U.S. Cl.**
USPC **D26/106**

(58) **Field of Classification Search**

USPC D26/1, 24, 93, 104, 106, 110, 112
CPC F21S 6/00; F21S 6/002; F21S 6/004; F21S
6/006; F21S 8/00; F21S 10/00; F21V
21/02; F21W 2131/30; F21Y 2105/00

See application file for complete search history.

(56) **References Cited**

U.S. PATENT DOCUMENTS

D107,810 S * 1/1938 Weidner et al. D26/104
D359,377 S * 6/1995 Barnes D26/106

D413,999 S * 9/1999 Diaz-Azcuy D26/110
D467,025 S * 12/2002 Tinsley D26/110
D544,134 S * 6/2007 Onyszko D26/106
D716,993 S * 11/2014 Rashid D26/93
D729,971 S * 5/2015 Salojarvi D26/104

* cited by examiner

Primary Examiner — Brian N Vinson

(74) *Attorney, Agent, or Firm* — Rabin & Berdo, P.C.

(57) **CLAIM**

The ornamental design for an table lamp, as shown and described.

DESCRIPTION

FIG. 1 is a front view thereof an table lamp showing my new design;

FIG. 2 is a rear view thereof;

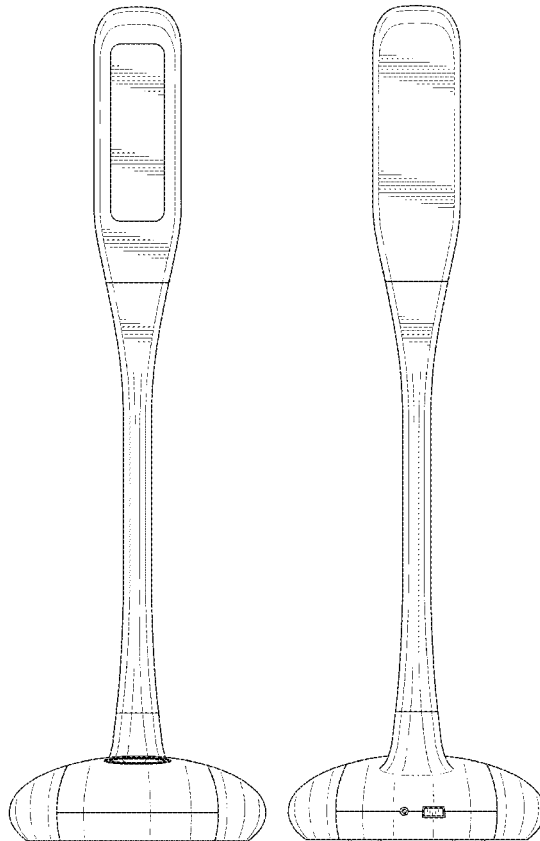
FIG. 3 is a right side view thereof;

FIG. 4 is a left side view thereof;

FIG. 5 is a top plan view thereof; and,

FIG. 6 is a bottom plan view thereof.

1 Claim, 6 Drawing Sheets



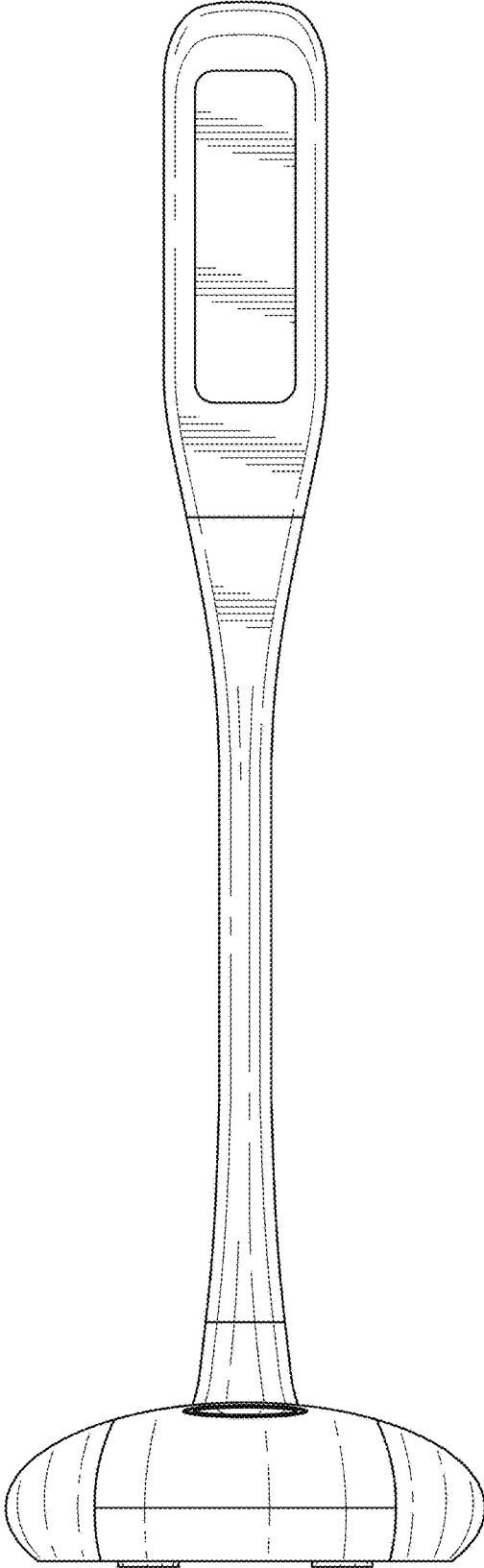


FIG. 1

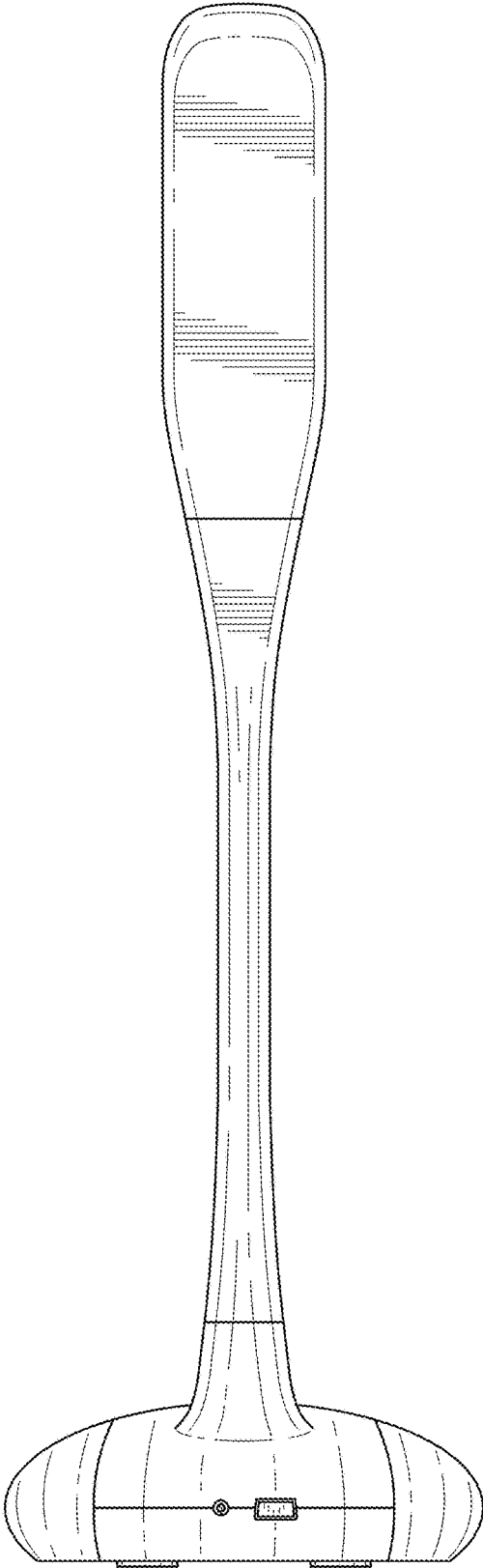


FIG. 2

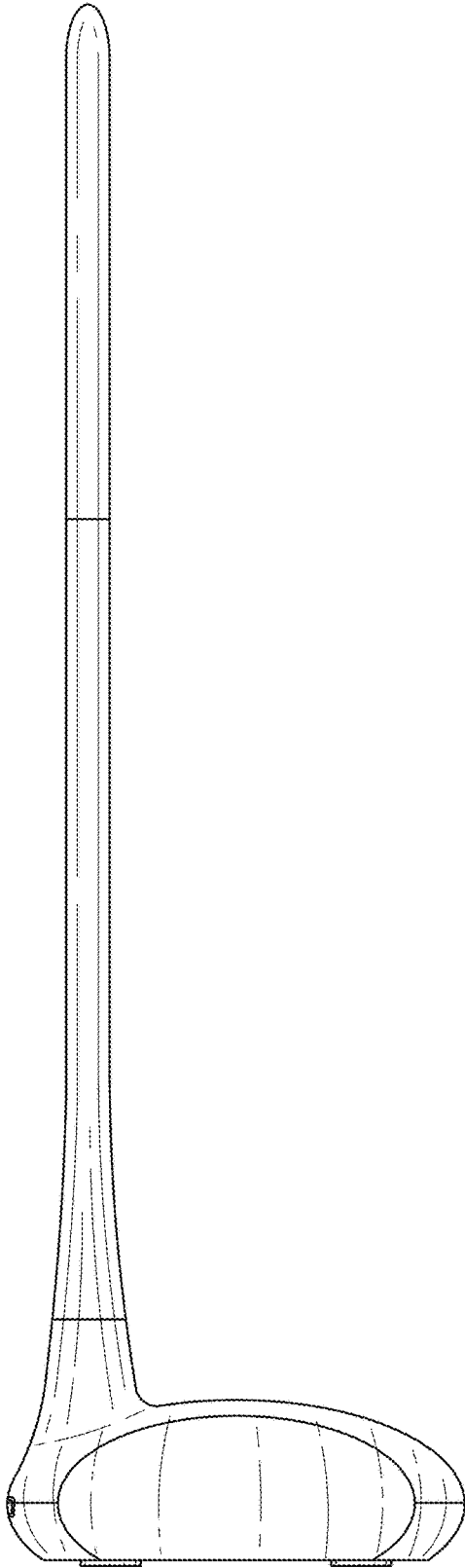


FIG. 3

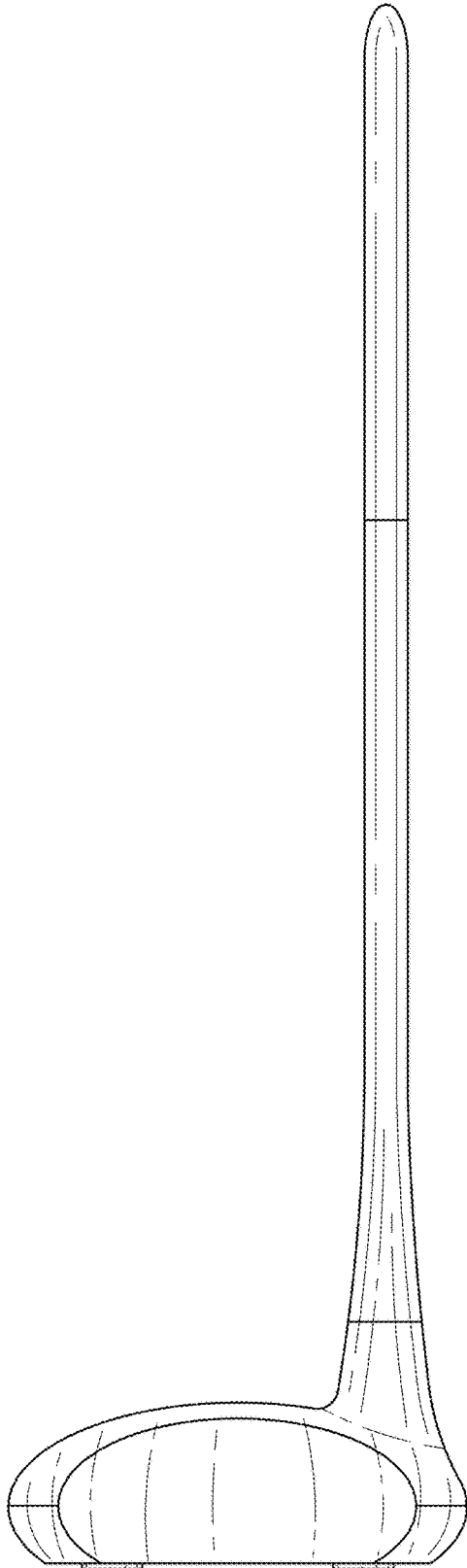


FIG. 4

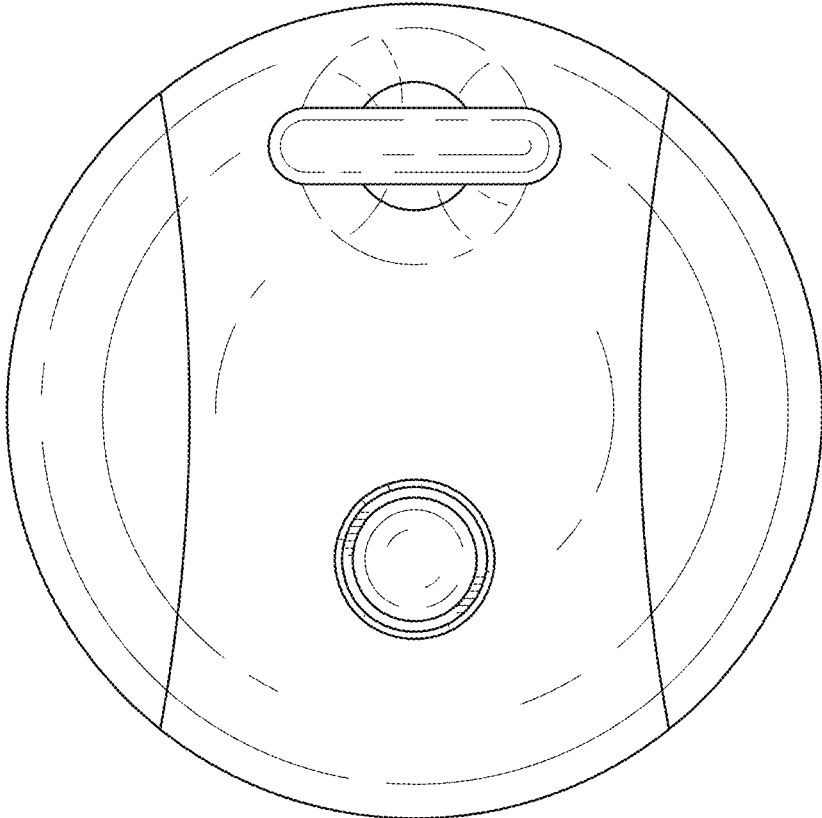


FIG. 5

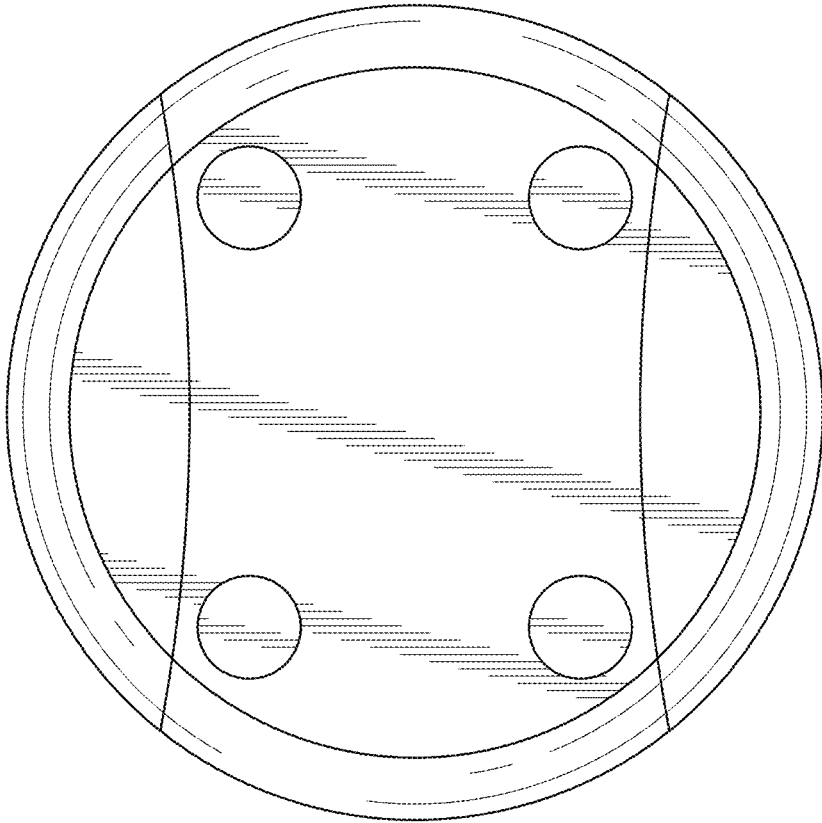


FIG. 6