



US00D461237S

(12) **United States Design Patent** (10) **Patent No.:** **US D461,237 S**  
**Moreno** (45) **Date of Patent:** **\*\* Aug. 6, 2002**

(54) **PORTABLE FAN BASE**  
(75) Inventor: **Eleobardo Moreno**, St. John, IN (US)  
(73) Assignee: **Lakewood Engineering and Manufacturing Co.**, Chicago, IL (US)  
(\*\*) Term: **14 Years**

D400,242 S 10/1998 Litvin  
5,829,956 A 11/1998 Chen et al.  
D413,664 S 9/1999 Keller et al.  
D418,218 S \* 12/1999 Hsu ..... D23/412  
6,183,204 B1 2/2001 Chang

**OTHER PUBLICATIONS**

U.S. Trademark Reg. No. 1,697,509; Registered Jun. 30, 1993; Owner: Vornado Air Circulation Systems, Inc. for; Electric Fans in Class 11.  
Product Catalog entitled "Fans", Lakewood Engineering & Mfg. Co., (20 pages), Nov. 1998.  
Product Catalog entitled "Fans", Lakewood Engineering & Mfg. Co., (20 pages), Jan. 2001.  
Product Literature of Lasko Air Circulators Fans (2 pages).  
Product Catalog entitled, "Portable Air Circulators", Lasko Metal Products, Feb. 1998.  
Product Literature of a Holmes Convertible and Oscillating Fans, 15 pages (two-sided).  
Product Literature of Cyclone Fans ( 8 pages).

(21) Appl. No.: **29/146,521**  
(22) Filed: **Aug. 10, 2001**  
(51) **LOC (7) Cl.** ..... **23-04**  
(52) **U.S. Cl.** ..... **D23/411**  
(58) **Field of Search** ..... D23/381, 382, D23/411; 416/246 R, 247 R; 248/676

(56) **References Cited**

**U.S. PATENT DOCUMENTS**

D159,692 S \* 8/1950 Steinhart ..... D23/382  
2,652,974 A 9/1953 Pettel  
3,173,478 A 3/1965 Maycen  
3,446,429 A 5/1969 Suzuki et al.  
4,120,615 A 10/1978 Keem et al.  
4,486,144 A 12/1984 Hung  
4,838,151 A 6/1989 Shin-Chin  
D312,124 S 11/1990 Coup et al.  
5,118,252 A 6/1992 Chaney  
D329,089 S 9/1992 Coup et al.  
D336,512 S 6/1993 Cunning  
D337,819 S 7/1993 Cunning  
RE34,551 E 2/1994 Coup et al.  
D346,019 S 4/1994 Cheslock et al.  
5,342,175 A 8/1994 Patton  
D359,116 S 6/1995 Marvin et al.  
D369,403 S 4/1996 Reveal et al.  
D376,005 S 11/1996 Litvin  
5,609,473 A 3/1997 Litvin  
D387,152 S 12/1997 Jané et al.  
D388,869 S 1/1998 Wang  
D391,357 S \* 2/1998 Chi ..... D23/382  
D391,631 S 3/1998 Litvin  
D392,735 S 3/1998 Gonzales et al.  
D395,080 S 6/1998 Jané et al.  
D398,983 S 9/1998 Keller et al.

\* cited by examiner

*Primary Examiner*—Lisa Lichtenstein  
(74) *Attorney, Agent, or Firm*—Wallenstein & Wagner, Ltd.

(57) **CLAIM**

The ornamental design for a portable fan base, as shown and described.

**DESCRIPTION**

FIG. 1 is a perspective view of the portable fan base.  
FIG. 2 is the front view of the portable fan base.  
FIG. 3 is a side view of the portable fan base.  
FIG. 4 is the rear view of the portable fan base.  
FIG. 5 is a side view, opposite of FIG. 3, of the portable fan base.  
FIG. 6 is a top plan view of the portable fan base; and,  
FIG. 7 is a bottom view of the portable fan base.  
The broken line showing of environmental structure in FIGS. 1-7 is for illustrative purposes only and forms no part of the claimed design.

**1 Claim, 4 Drawing Sheets**

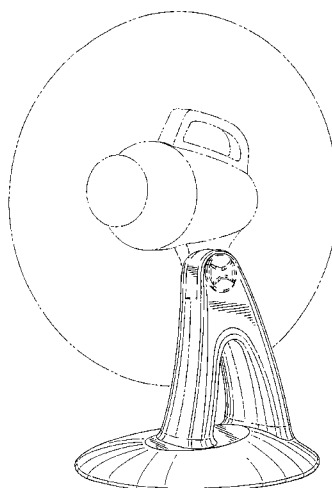
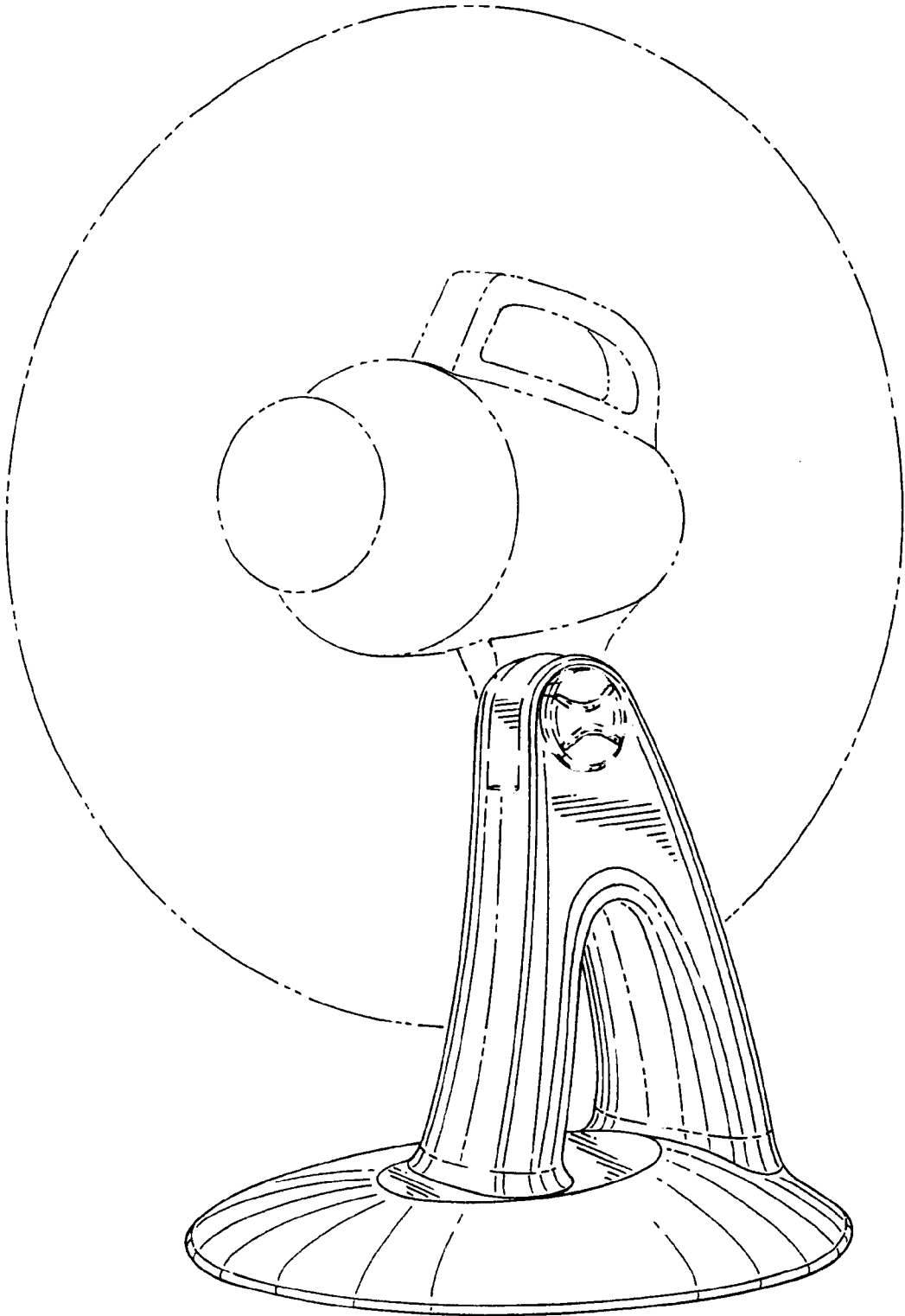


FIG. 1



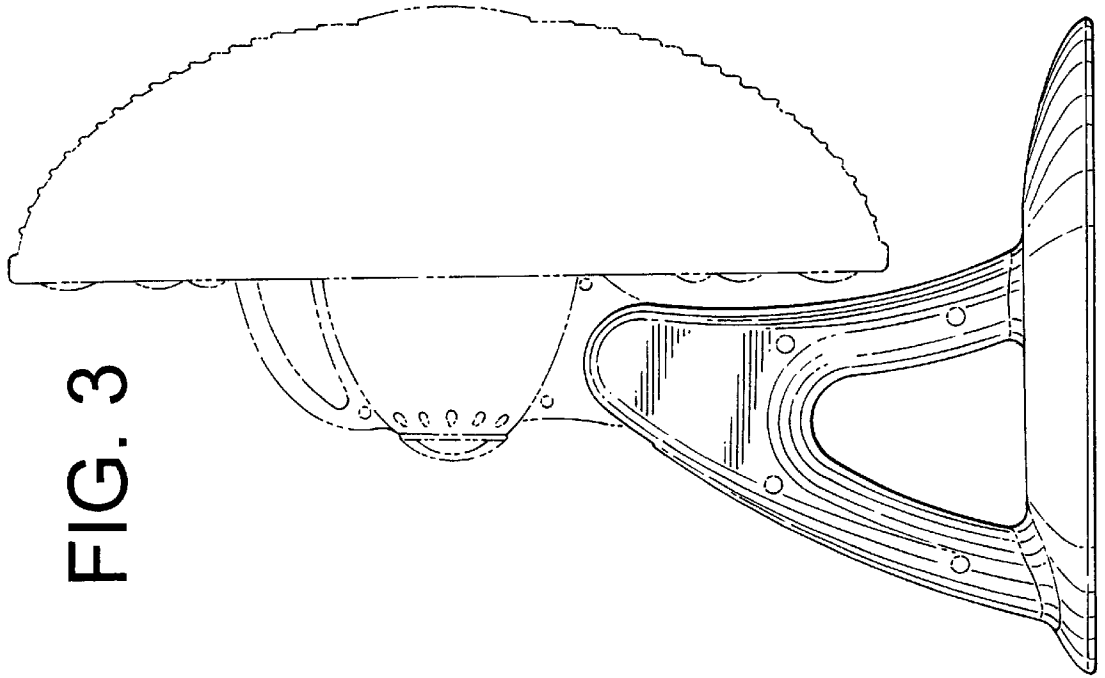


FIG. 3

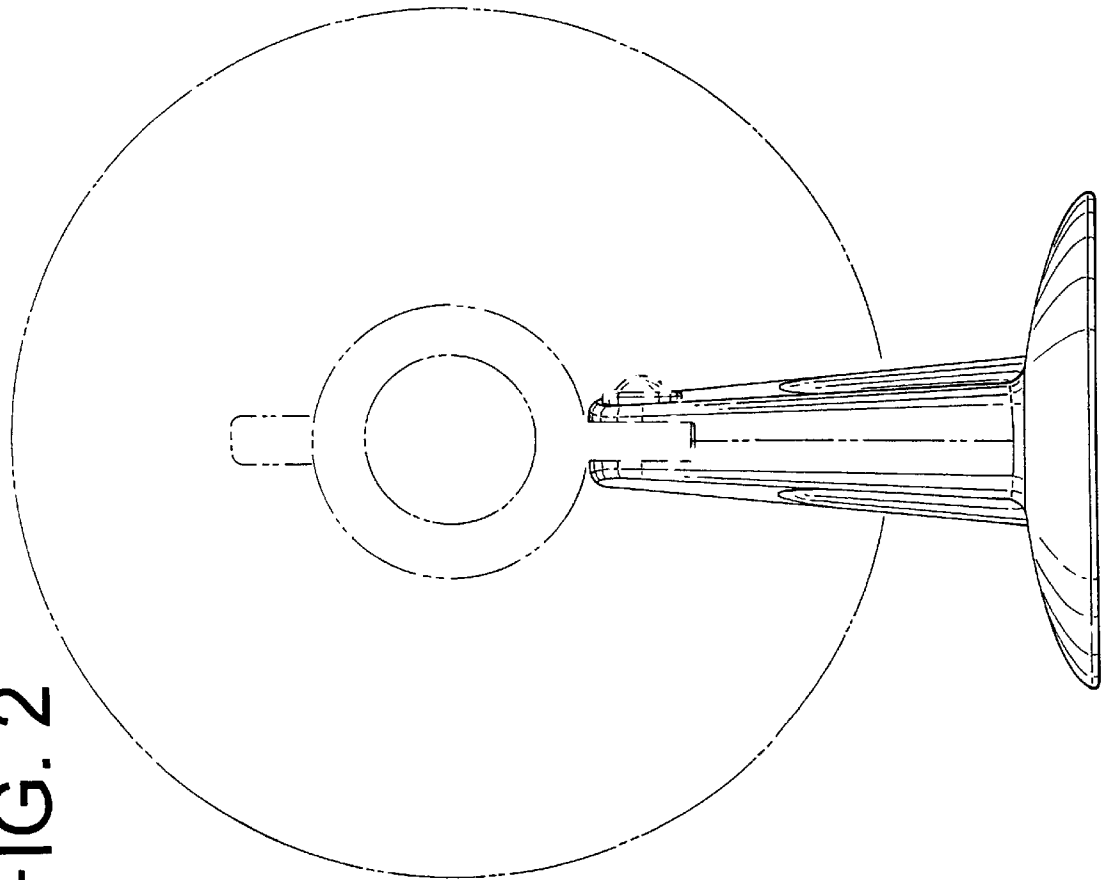


FIG. 2

FIG. 5

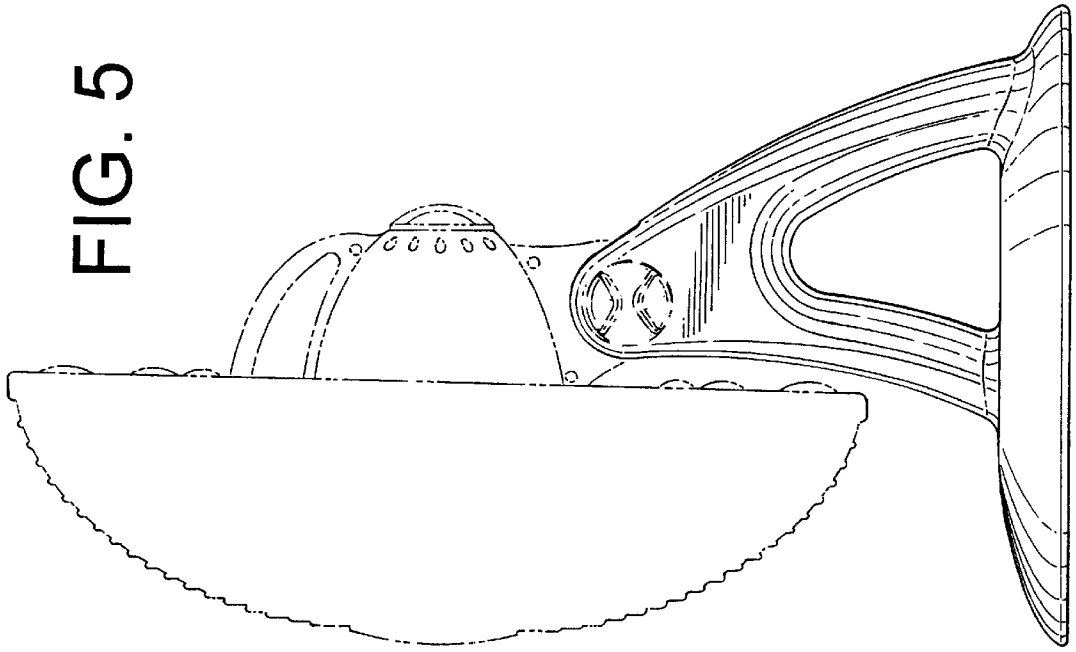


FIG. 4

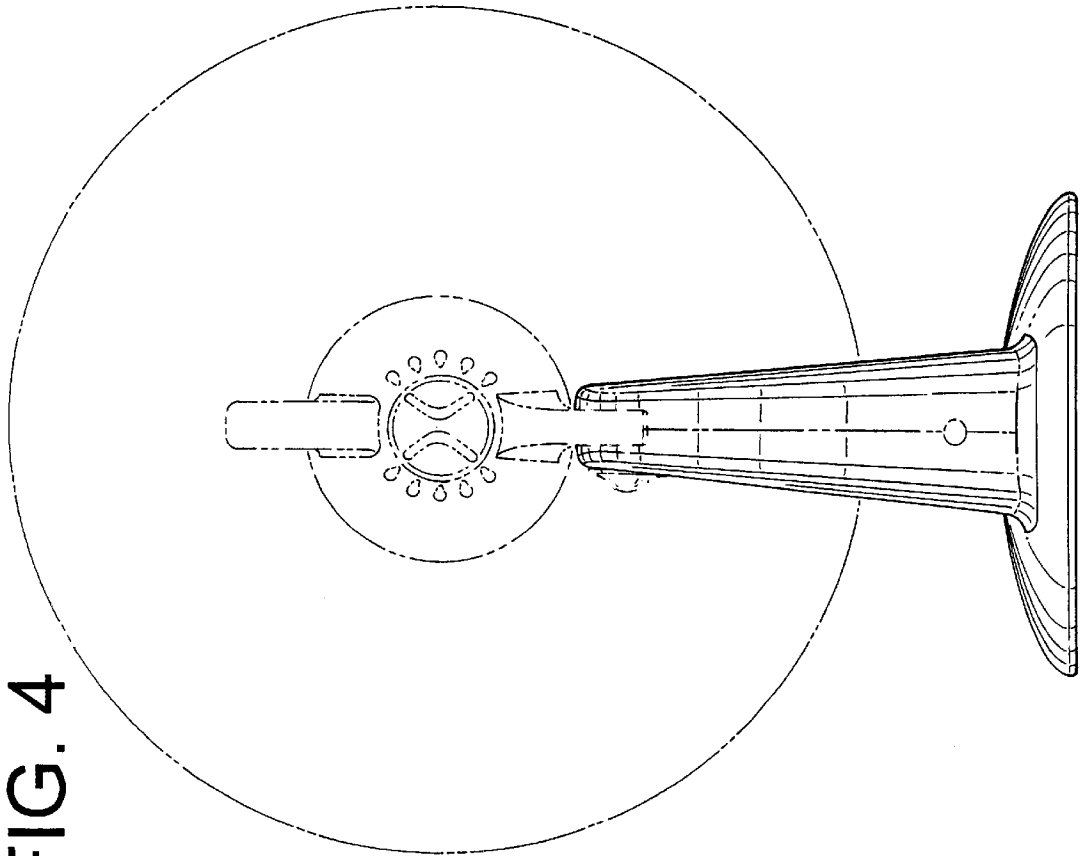


FIG. 6

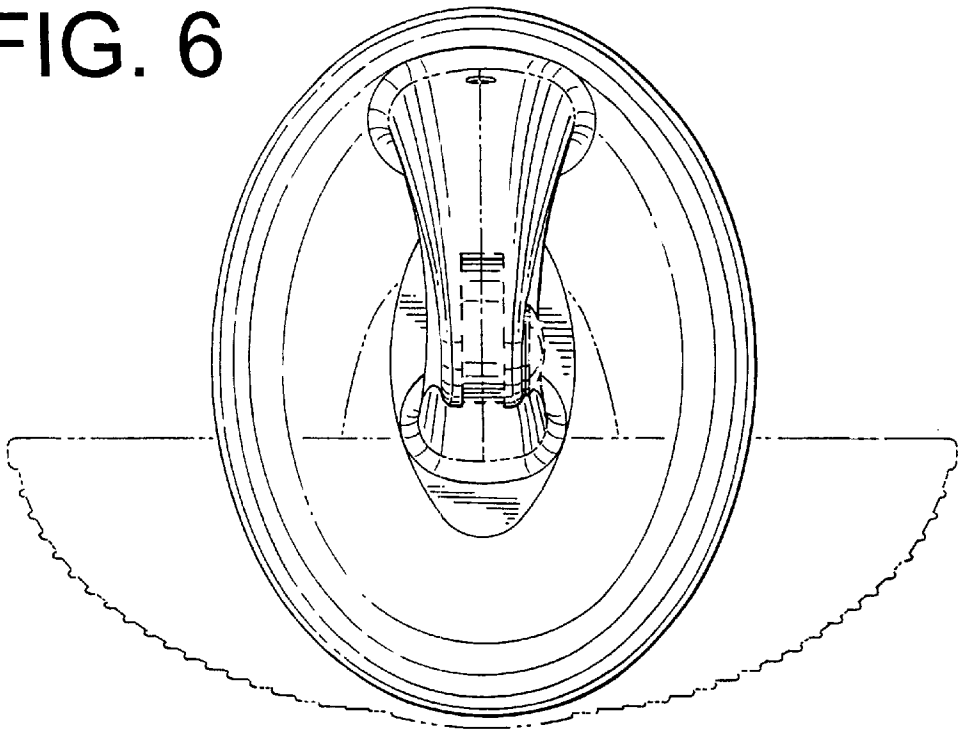


FIG. 7

