



US00D600263S

(12) **United States Design Patent**
Eckhardt

(10) **Patent No.:** **US D600,263 S**

(45) **Date of Patent:** **** Sep. 15, 2009**

(54) **TIRE SEALING AND INFLATION DEVICE**

(75) Inventor: **Arnold Eckhardt**, Ranstardt (DE)

(73) Assignee: **Sumitomo Rubber Industries, Ltd.**,
Kobe (JP)

(**) Term: **14 Years**

(21) Appl. No.: **29/334,220**

(22) Filed: **Mar. 23, 2009**

(30) **Foreign Application Priority Data**

Sep. 24, 2008 (EM) 001020929-0001

(51) **LOC (9) Cl.** **15-99**

(52) **U.S. Cl.** **D15/199**

(58) **Field of Classification Search** D8/105,
D8/499; D10/40, 46; D15/199; 141/38,
141/67, 100; 152/415

See application file for complete search history.

(56) **References Cited**

U.S. PATENT DOCUMENTS

- 4,284,451 A * 8/1981 Conley 156/97
- D301,016 S * 5/1989 Fauerskov D10/46
- D307,399 S * 4/1990 Collister D10/46
- D319,406 S * 8/1991 Smith D10/104
- D362,810 S * 10/1995 Seaburn et al. D10/46
- D509,838 S * 9/2005 Wong D15/199

- D569,214 S * 5/2008 Telfser D8/105
- D574,866 S * 8/2008 Yoshida D15/199
- D578,906 S * 10/2008 Gatz et al. D10/46
- D582,795 S * 12/2008 Stekelenburg D10/40
- 2004/0159365 A1 * 8/2004 Cowan et al. 141/38
- 2006/0151051 A1 * 7/2006 Py et al. 141/67

* cited by examiner

Primary Examiner—Sandra Snapp

Assistant Examiner—Patricia Palasik

(74) *Attorney, Agent, or Firm*—Birch, Stewart, Kolasch & Birch, LLP

(57) **CLAIM**

The ornamental design for a tire sealing and inflation device, as shown and described.

DESCRIPTION

FIG. 1 is a front, right, top perspective view of a tire sealing and inflation device showing my new design;

FIG. 2 is a top view thereof;

FIG. 3 is a bottom view thereof;

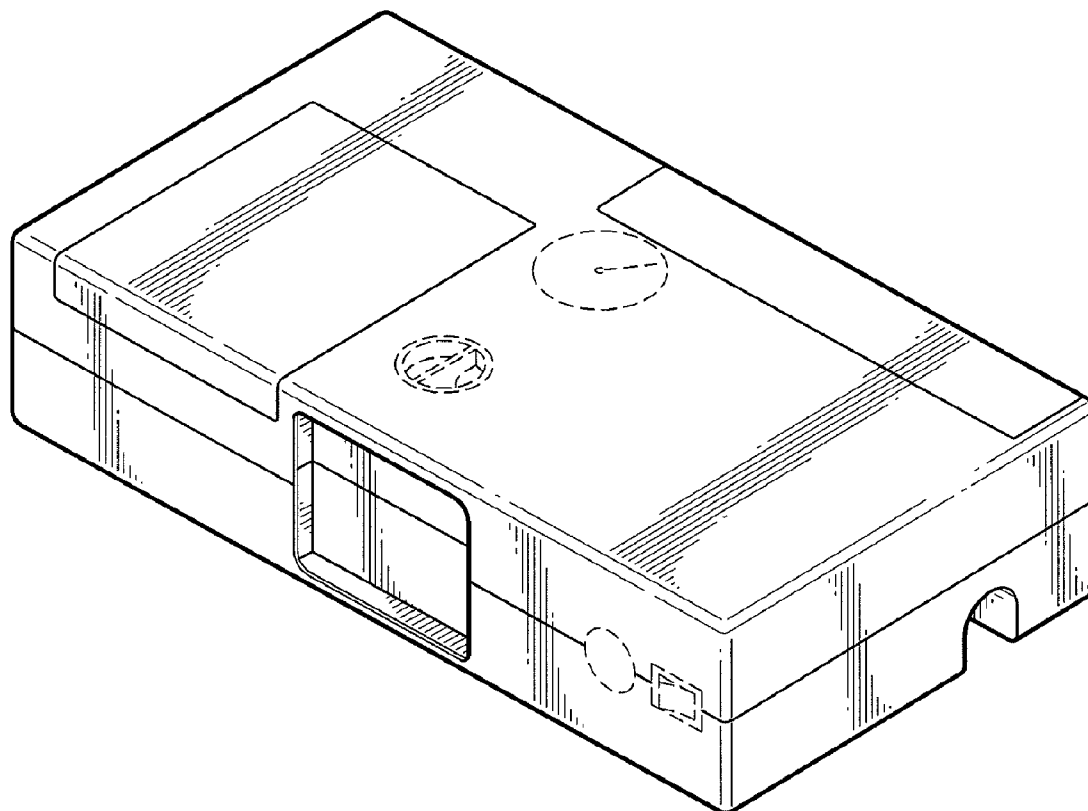
FIG. 4 is a front view thereof;

FIG. 5 is a rear view thereof;

FIG. 6 is a right side view thereof; and,

FIG. 7 is a left side view thereof.

1 Claim, 4 Drawing Sheets



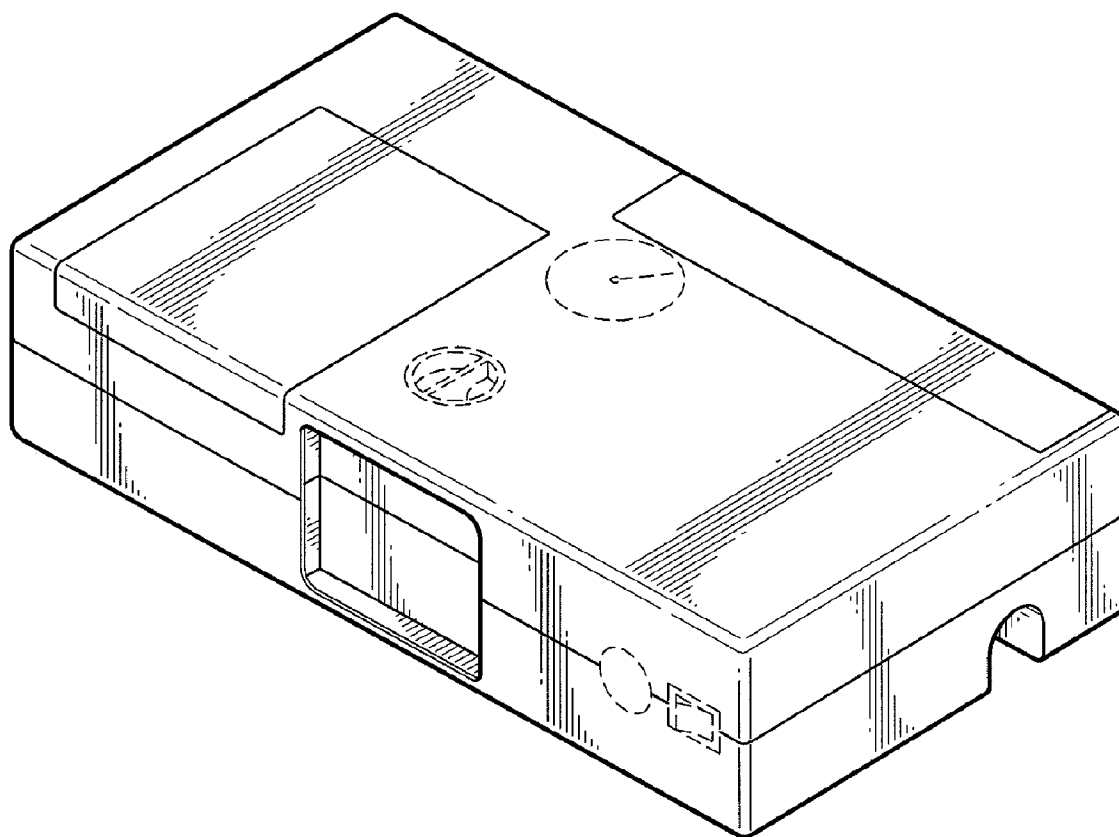


FIG.1

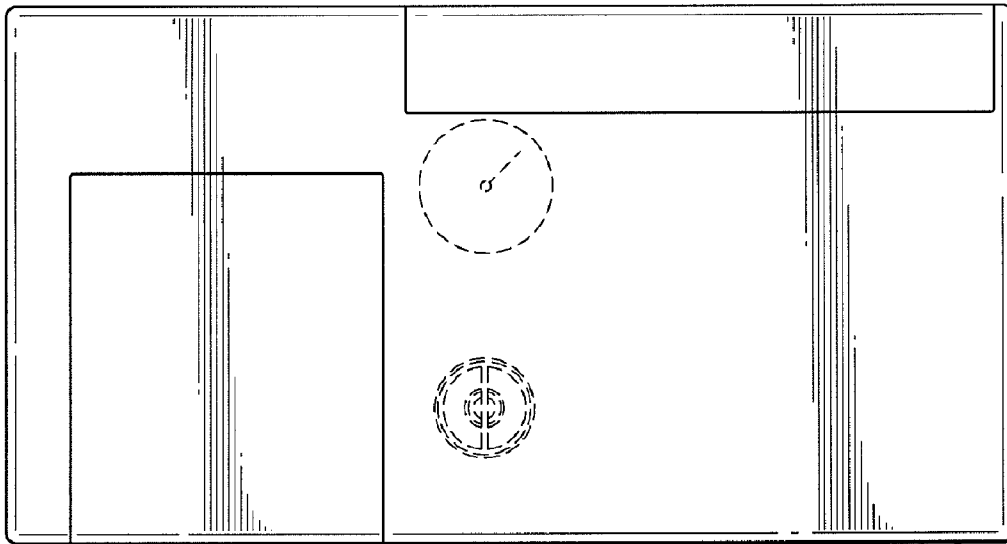


FIG. 2

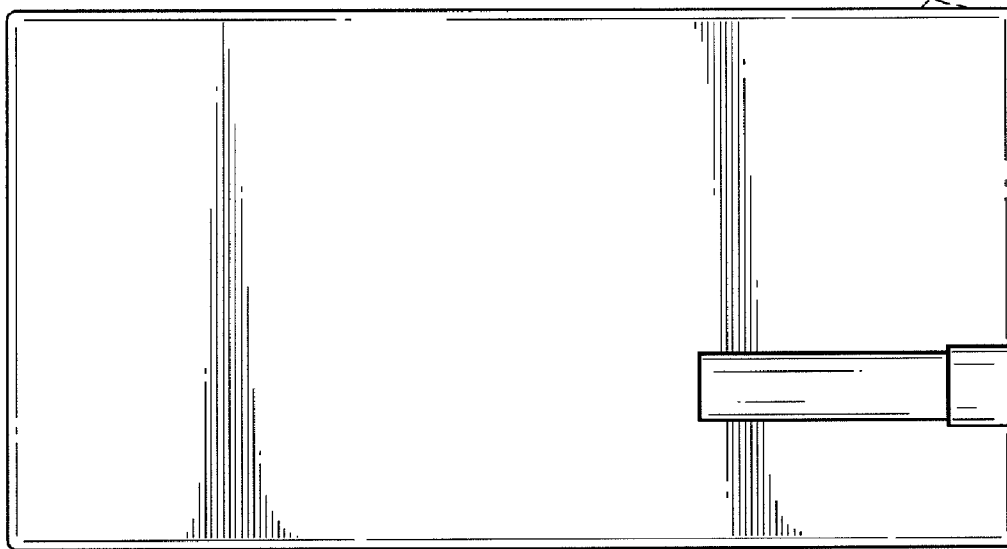


FIG. 3

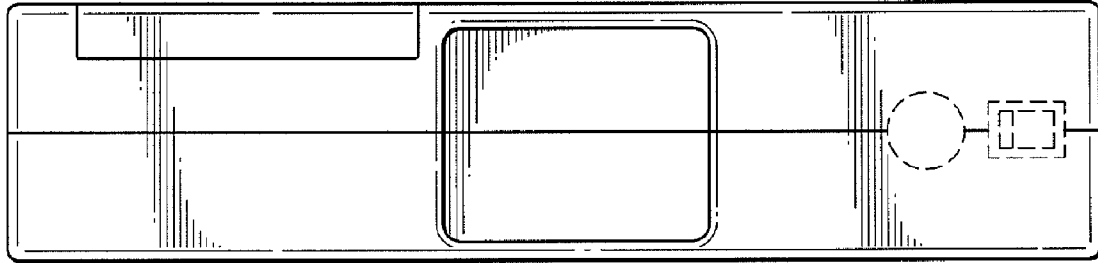


FIG. 4

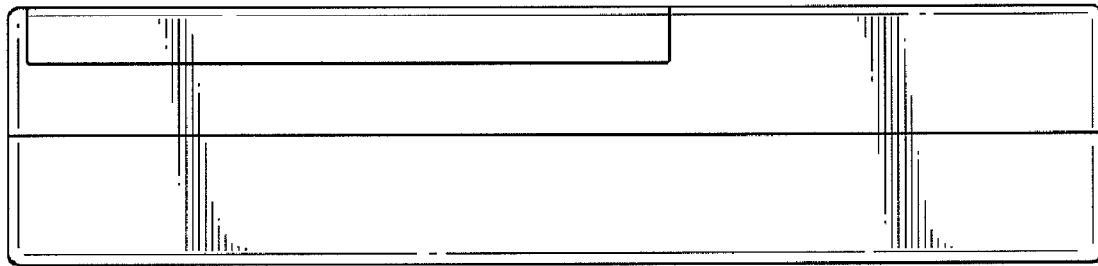


FIG. 5

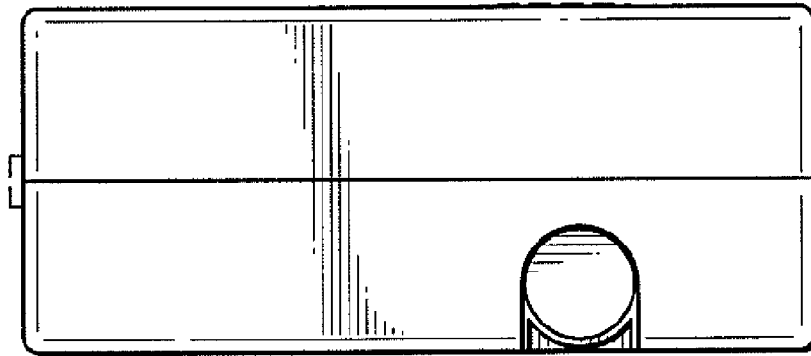


FIG. 6

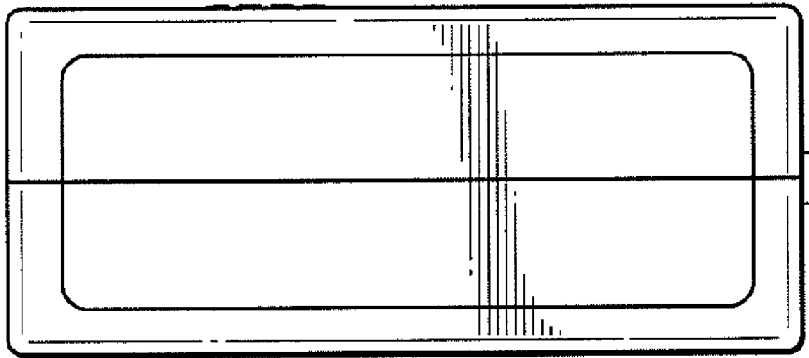


FIG. 7