



(51) International Patent Classification:

A61B 17/56 (2006.01) A61B 17/17 (2006.01)  
A61B 17/04 (2006.01) A61B 17/54 (2006.01)

(21) International Application Number:

PCT/US2012/045584

(22) International Filing Date:

5 July 2012 (05.07.2012)

(25) Filing Language:

English

(26) Publication Language:

English

(30) Priority Data:

61/505,992	8 July 2011 (08.07.2011)	US
61/506,000	8 July 2011 (08.07.2011)	US
61/506,004	8 July 2011 (08.07.2011)	US
61/568,137	7 December 2011 (07.12.2011)	US
13/527,359	19 June 2012 (19.06.2012)	US
13/527,424	19 June 2012 (19.06.2012)	US
13/527,648	20 June 2012 (20.06.2012)	US
13/527,765	20 June 2012 (20.06.2012)	US

(72) Inventors; and

(75) Inventors/Applicants (for US only): **SINNOTT, Margaret Mary** [US/US]; 570 Research Park Way, Suite 102, North Logan, UT 84341 (US). **FALLIN, Thomas, Wade** [US/US]; 570 Research Park Way, Suite 102, North Logan, UT 84341 (US). **CHAN, Kwan-Ho** [US/SG]; 570 Research Park Way, Suite 102, North Logan, UT 84341 (US). **WHITE, Patrick, Michel** [US/US]; 900 Airport Road, Suite 4, West Chester, PA 19380 (US).

(74) Agent: **KINNEAR, Brian**; P.O. Box 8749, Denver, CO 80201 (US).

(81) Designated States (unless otherwise indicated, for every kind of national protection available): AE, AG, AL, AM, AO, AT, AU, AZ, BA, BB, BG, BH, BR, BW, BY, BZ, CA, CH, CL, CN, CO, CR, CU, CZ, DE, DK, DM, DO, DZ, EC, EE, EG, ES, FI, GB, GD, GE, GH, GM, GT, HN, HR, HU, ID, IL, IN, IS, JP, KE, KG, KM, KN, KP, KR, KZ, LA, LC, LK, LR, LS, LT, LU, LY, MA, MD, ME, MG, MK, MN, MW, MX, MY, MZ, NA, NG, NI, NO, NZ, OM, PE, PG, PH, PL, PT, QA, RO, RS, RU, RW, SC, SD, SE, SG, SK, SL, SM, ST, SV, SY, TH, TJ, TM, TN, TR, TT, TZ, UA, UG, US, UZ, VC, VN, ZA, ZM, ZW.

(84) Designated States (unless otherwise indicated, for every kind of regional protection available): ARIPO (BW, GH, GM, KE, LR, LS, MW, MZ, NA, RW, SD, SL, SZ, TZ,

[Continued on next page]

(54) Title: ORTHOPEDIC INSTRUMENTS

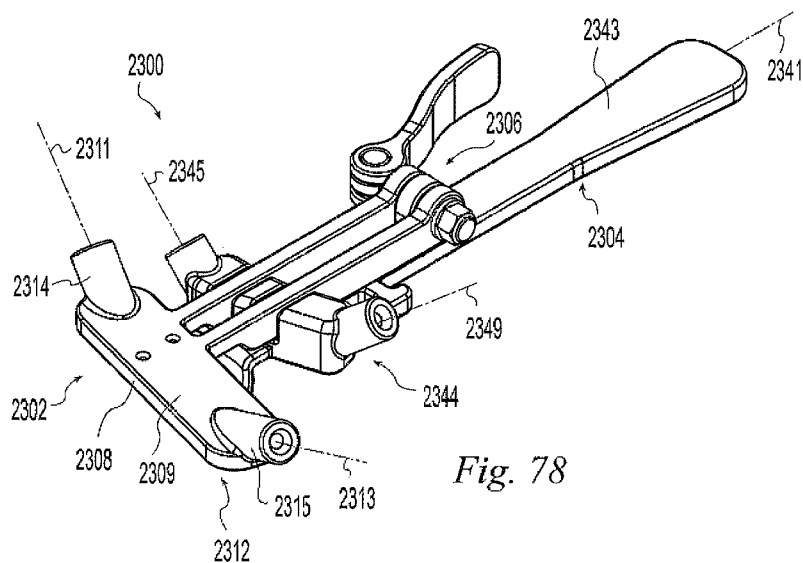


Fig. 78

(57) Abstract: Improved surgical instruments are provided including improved suture passers, improved drill guides for forming holes in bones adjacent a joint at locations referenced to the joint anatomy, and improved osteotomy guides.

WO 2013/009574 A3

UG, ZM, ZW), Eurasian (AM, AZ, BY, KG, KZ, RU, TJ, TM), European (AL, AT, BE, BG, CH, CY, CZ, DE, DK, EE, ES, FI, FR, GB, GR, HR, HU, IE, IS, IT, LT, LU, LV, MC, MK, MT, NL, NO, PL, PT, RO, RS, SE, SI, SK, SM, TR), OAPI (BF, BJ, CF, CG, CI, CM, GA, GN, GQ, GW, ML, MR, NE, SN, TD, TG).

**Published:**

— *with international search report (Art. 21(3))*

**(88) Date of publication of the international search report:**  
25 April 2013

**A. CLASSIFICATION OF SUBJECT MATTER***A61B 17/56(2006.01)i, A61B 17/04(2006.01)i, A61B 17/17(2006.01)i, A61B 17/54(2006.01)i*

According to International Patent Classification (IPC) or to both national classification and IPC

**B. FIELDS SEARCHED**

Minimum documentation searched (classification system followed by classification symbols)

A61B 17/56; A61B 17/10; A61B 17/80; A61B 17/06; A61B 17/00; A61B 17/04

Documentation searched other than minimum documentation to the extent that such documents are included in the fields searched

Korean utility models and applications for utility models

Japanese utility models and applications for utility models

Electronic data base consulted during the international search (name of data base and, where practicable, search terms used)

KOMPASS(KIPO internal) &amp; Keywords: suture passer, meedle, suture retriever

**C. DOCUMENTS CONSIDERED TO BE RELEVANT**

Category*	Citation of document, with indication, where appropriate, of the relevant passages	Relevant to claim No.
A	US 2004-0015177 A1 (MICHAEL, S. CHU) 22 January 2004 See abstract; figs. 2A, 2F-21; paragraphs 26,29,34,38; claim 1.	1-81
A	US 2011-0066165 A1 (SKINLO DAVID et al.) 17 March 2011 See abstract; figs. 2A, 20, 34-38; paragraphs 110-112, 119; claim 1.	1-81
A	US 2007-0233128 A1 (REINHOLD SCHMIEDING et al.) 04 October 2007 See abstract; figs. 3-4, 11-12, 18-20; paragraphs 36-37, 39, 44, 50-52; claim 1.	1-81
A	US 2011-0144647 A1 (APPENZELLER ANDREAS et al.) 16 June 2011 See abstract; figs. 1, 7; paragraphs 70-71, 76-78; claim 1.	1-81

 Further documents are listed in the continuation of Box C. See patent family annex.

\* Special categories of cited documents:

"A" document defining the general state of the art which is not considered to be of particular relevance

"E" earlier application or patent but published on or after the international filing date

"L" document which may throw doubts on priority claim(s) or which is cited to establish the publication date of citation or other special reason (as specified)

"O" document referring to an oral disclosure, use, exhibition or other means

"P" document published prior to the international filing date but later than the priority date claimed

"T" later document published after the international filing date or priority date and not in conflict with the application but cited to understand the principle or theory underlying the invention

"X" document of particular relevance; the claimed invention cannot be considered novel or cannot be considered to involve an inventive step when the document is taken alone

"Y" document of particular relevance; the claimed invention cannot be considered to involve an inventive step when the document is combined with one or more other such documents, such combination being obvious to a person skilled in the art

"&amp;" document member of the same patent family

Date of the actual completion of the international search

31 JANUARY 2013 (31.01.2013)

Date of mailing of the international search report

**31 JANUARY 2013 (31.01.2013)**

Name and mailing address of the ISA/KR

Korean Intellectual Property Office  
189 Cheongsa-ro, Seo-gu, Daejeon Metropolitan  
City, 302-701, Republic of Korea

Facsimile No. 82-42-472-7140

Authorized officer

PARK, Nam Hyun

Telephone No. 82-42-481-8400



**INTERNATIONAL SEARCH REPORT**

Information on patent family members

International application No.

**PCT/US2012/045584**

Patent document cited in search report	Publication date	Patent family member(s)	Publication date
US 2004-0015177 A1	22.01.2004	AU 2003-254006 A1	09.02.2004
		AU 2003-254006 B2	01.05.2008
		CA 2491153 A1	29.01.2004
		CA 2491153 C	11.01.2011
		DE 60336399 D1	28.04.2011
		EP 1523276 A1	20.04.2005
		EP 1523276 B1	16.03.2011
		US 2005-0222589 A1	06.10.2005
		US 2011-0060352 A1	10.03.2011
		US 2012-035626 A1	09.02.2012
		US 6936054 B2	30.08.2005
		US 7815654 B2	19.10.2010
		WO 2004-008973 A1	29.01.2004
		US 2011-0066165 A1	17.03.2011
EP 2453809 A1	23.05.2012		
WO 2011-008607 A1	20.01.2011		
US 2007-0233128 A1	04.10.2007	AT 481039 T	15.10.2010
		DE 602006016904 D1	28.10.2010
		EP 1785103 A1	16.05.2007
		EP 1785103 B1	15.09.2010
US 2011-0144647 A1	16.06.2011	CA 2781339 A1	16.06.2011
		EP 2509517 A1	17.10.2012
		KR 10-2012-0114247 A	16.10.2012
		WO 2011-071611 A1	16.06.2011