



(51) International Patent Classification:

*B65D 19/00* (2006.01) *B65D 19/20* (2006.01)  
*B65D 19/18* (2006.01)

(21) International Application Number:

PCT/GB2013/050801

(22) International Filing Date:

27 March 2013 (27.03.2013)

(25) Filing Language:

English

(26) Publication Language:

English

(30) Priority Data:

1205494.6 28 March 2012 (28.03.2012) GB

(71) Applicant: **DS SMITH CORRUGATED PACKAGING LIMITED** [GB/GB]; Beech House Whitebrook Park, 68 Lower Cookham Road, Maidenhead, Berkshire, SL6 8XY (GB).

(72) Inventors: **WOOD, Richard**; 157 Cotefield Drive, Leighton Buzzard, Bedfordshire, LU7 3DN (GB). **ADAMS, Karen**; 17 Grasmere, Bedgrove, Aylesbury, Buckinghamshire, HP21 9TU (GB).

(74) Agent: **LECKEY, David**; St Bride's House, 10 Salisbury Square, London, EC4Y 8JD (GB).

(81) Designated States (unless otherwise indicated, for every kind of national protection available): AE, AG, AL, AM, AO, AT, AU, AZ, BA, BB, BG, BH, BN, BR, BW, BY,

BZ, CA, CH, CL, CN, CO, CR, CU, CZ, DE, DK, DM, DO, DZ, EC, EE, EG, ES, FI, GB, GD, GE, GH, GM, GT, HN, HR, HU, ID, IL, IN, IS, JP, KE, KG, KM, KN, KP, KR, KZ, LA, LC, LK, LR, LS, LT, LU, LY, MA, MD, ME, MG, MK, MN, MW, MX, MY, MZ, NA, NG, NI, NO, NZ, OM, PA, PE, PG, PH, PL, PT, QA, RO, RS, RU, RW, SC, SD, SE, SG, SK, SL, SM, ST, SV, SY, TH, TJ, TM, TN, TR, TT, TZ, UA, UG, US, UZ, VC, VN, ZA, ZM, ZW.

(84) Designated States (unless otherwise indicated, for every kind of regional protection available): ARIPO (BW, GH, GM, KE, LR, LS, MW, MZ, NA, RW, SD, SL, SZ, TZ, UG, ZM, ZW), Eurasian (AM, AZ, BY, KG, KZ, RU, TJ, TM), European (AL, AT, BE, BG, CH, CY, CZ, DE, DK, EE, ES, FI, FR, GB, GR, HR, HU, IE, IS, IT, LT, LU, LV, MC, MK, MT, NL, NO, PL, PT, RO, RS, SE, SI, SK, SM, TR), OAPI (BF, BJ, CF, CG, CI, CM, GA, GN, GQ, GW, ML, MR, NE, SN, TD, TG).

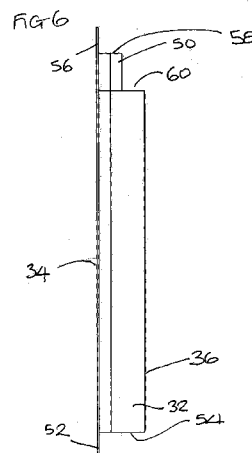
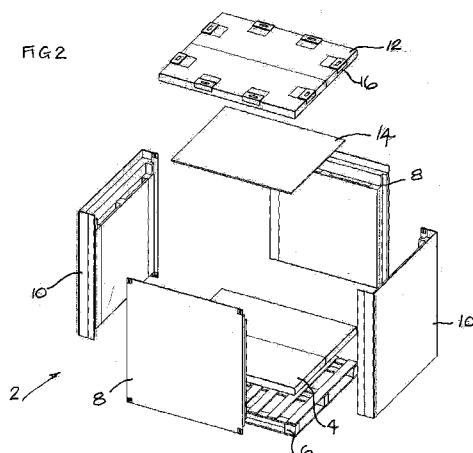
Published:

- with international search report (Art. 21(3))
- before the expiration of the time limit for amending the claims and to be republished in the event of receipt of amendments (Rule 48.2(h))

(88) Date of publication of the international search report:

5 December 2013

(54) Title: INSULATED CONTAINERS



(57) Abstract: An insulated container (2) comprises at least one base panel (4), a plurality of wall panels (8, 10) which can be assembled to the at least one base panel (4), and at least one top panel (12). The wall panels (8, 10) each comprise an insulating layer (32) comprising one or more grooves, channels or sleeves for receiving one or more coolant packs, and a backing layer (34) attached to the insulating layer (32). The backing layer (34) extends vertically downwardly beyond the insulating layer (32) so as in use to at least partially overlap an edge of the base panel (4).



**INTERNATIONAL SEARCH REPORT**

International application No  
PCT/GB2013/050801

**A. CLASSIFICATION OF SUBJECT MATTER**  
 INV. B65D19/00 B65D19/18 B65D19/20  
 ADD.  
 According to International Patent Classification (IPC) or to both national classification and IPC

**B. FIELDS SEARCHED**  
 Minimum documentation searched (classification system followed by classification symbols)  
 B65D

Documentation searched other than minimum documentation to the extent that such documents are included in the fields searched

Electronic data base consulted during the international search (name of data base and, where practicable, search terms used)  
 EPO-Internal, WPI Data

**C. DOCUMENTS CONSIDERED TO BE RELEVANT**

Category*	Citation of document, with indication, where appropriate, of the relevant passages	Relevant to claim No.
X	US 5 669 233 A (COOK SANFORD L [US] ET AL) 23 September 1997 (1997-09-23) column 4, line 2 - column 8, line 5; figures 1-7	1-4
X	----- WO 2005/007519 A2 (DERIFIELD RODNEY M [US]) 27 January 2005 (2005-01-27) page 4, line 2 - page 8, line 5; figures 1-7	1-4
X	----- WO 90/14295 A1 (KESTER SOC CIV [FR]) 29 November 1990 (1990-11-29)	27
Y	page 2, line 34 - page 4, line 13; figures 1-6	1-4,26
	----- -/--	

Further documents are listed in the continuation of Box C.

See patent family annex.

\* Special categories of cited documents :

"A" document defining the general state of the art which is not considered to be of particular relevance	"T" later document published after the international filing date or priority date and not in conflict with the application but cited to understand the principle or theory underlying the invention
"E" earlier application or patent but published on or after the international filing date	"X" document of particular relevance; the claimed invention cannot be considered novel or cannot be considered to involve an inventive step when the document is taken alone
"L" document which may throw doubts on priority claim(s) or which is cited to establish the publication date of another citation or other special reason (as specified)	"Y" document of particular relevance; the claimed invention cannot be considered to involve an inventive step when the document is combined with one or more other such documents, such combination being obvious to a person skilled in the art
"O" document referring to an oral disclosure, use, exhibition or other means	"&" document member of the same patent family
"P" document published prior to the international filing date but later than the priority date claimed	

Date of the actual completion of the international search  30 September 2013	Date of mailing of the international search report  11/10/2013
--	--

Name and mailing address of the ISA/ European Patent Office, P.B. 5818 Patentlaan 2 NL - 2280 HV Rijswijk Tel. (+31-70) 340-2040, Fax: (+31-70) 340-3016	Authorized officer  Lämme1, Gunnar
--	--

## INTERNATIONAL SEARCH REPORT

International application No  
PCT/GB2013/050801

C(Continuation). DOCUMENTS CONSIDERED TO BE RELEVANT		
Category*	Citation of document, with indication, where appropriate, of the relevant passages	Relevant to claim No.
X	DE 100 58 565 A1 (VA Q TEC AG [DE]) 14 February 2002 (2002-02-14)	27
Y	paragraph [0037] - paragraph [0048]; figures 1-7	1-4,26
X	----- WO 2005/014260 A1 (ARMACEL PTY LTD [AU]; MATICH FRANK [AU]) 17 February 2005 (2005-02-17)	27-31
Y	page 4, line 12 - page 7, line 17; figures 1,2 -----	26

# INTERNATIONAL SEARCH REPORT

International application No.  
PCT/GB2013/050801

## Box No. II Observations where certain claims were found unsearchable (Continuation of item 2 of first sheet)

This international search report has not been established in respect of certain claims under Article 17(2)(a) for the following reasons:

1.  Claims Nos.:  
because they relate to subject matter not required to be searched by this Authority, namely:
  
2.  Claims Nos.:  
because they relate to parts of the international application that do not comply with the prescribed requirements to such an extent that no meaningful international search can be carried out, specifically:
  
3.  Claims Nos.:  
because they are dependent claims and are not drafted in accordance with the second and third sentences of Rule 6.4(a).

## Box No. III Observations where unity of invention is lacking (Continuation of item 3 of first sheet)

This International Searching Authority found multiple inventions in this international application, as follows:

see additional sheet

1.  As all required additional search fees were timely paid by the applicant, this international search report covers all searchable claims.
  
2.  As all searchable claims could be searched without effort justifying an additional fees, this Authority did not invite payment of additional fees.
  
3.  As only some of the required additional search fees were timely paid by the applicant, this international search report covers only those claims for which fees were paid, specifically claims Nos.:  
  
1-4, 26-31
  
4.  No required additional search fees were timely paid by the applicant. Consequently, this international search report is restricted to the invention first mentioned in the claims; it is covered by claims Nos.:

### Remark on Protest

- The additional search fees were accompanied by the applicant's protest and, where applicable, the payment of a protest fee.
- The additional search fees were accompanied by the applicant's protest but the applicable protest fee was not paid within the time limit specified in the invitation.
- No protest accompanied the payment of additional search fees.

**FURTHER INFORMATION CONTINUED FROM PCT/ISA/ 210**

This International Searching Authority found multiple (groups of) inventions in this international application, as follows:

1. claims: 1-4

Wall panel/container with backing layer extending vertically downwardly

---

2. claims: 6-9

Wall panel/container with facing component comprising a base and ribs/stand-offs

---

3. claims: 5, 10-13

Wall panel/container with a reinforcing layer

---

4. claims: 14-22

Wall panel/container with a fastener

---

5. claims: 23-25

Kit/container with wall panels connected by a joint

---

6. claims: 26-31

Panel/container with handles

---

# INTERNATIONAL SEARCH REPORT

Information on patent family members

International application No

PCT/GB2013/050801

Patent document cited in search report	Publication date	Patent family member(s)	Publication date
US 5669233	A	23-09-1997	NONE
-----			
WO 2005007519	A2	27-01-2005	AU 2004257250 A1 27-01-2005
			BR PI0412300 A 13-06-2006
			CA 2531583 A1 27-01-2005
			CN 1836137 A 20-09-2006
			EP 1654506 A2 10-05-2006
			JP 4491613 B2 30-06-2010
			JP 2007523803 A 23-08-2007
			MX PA06000301 A 03-07-2006
			NZ 544134 A 31-01-2009
			RU 2347157 C2 20-02-2009
			US 2005006272 A1 13-01-2005
			US 2006065009 A1 30-03-2006
			US 2007193298 A1 23-08-2007
			WO 2005007519 A2 27-01-2005
-----			
WO 9014295	A1	29-11-1990	EP 0426821 A1 15-05-1991
			WO 9014295 A1 29-11-1990
-----			
DE 10058565	A1	14-02-2002	NONE
-----			
WO 2005014260	A1	17-02-2005	NONE
-----			