



US00D487013S

(12) **United States Design Patent**
Jenks

(10) **Patent No.:** **US D487,013 S**

(45) **Date of Patent:** **** Feb. 24, 2004**

(54) **HASP LOCKING APPARATUS**

5,836,626 A * 11/1998 Coy 292/289 X
5,946,952 A * 9/1999 Mintchenko 70/2

(76) Inventor: **Bruce Jenks**, 772 Newton Way, Costa Mesa, CA (US) 92627

* cited by examiner

(**) Term: **14 Years**

Primary Examiner—Brian N. Vinson
(74) *Attorney, Agent, or Firm*—Walter A. Hackler

(21) Appl. No.: **29/159,266**

(57) **CLAIM**

(22) Filed: **Apr. 17, 2002**

The ornamental design for the hasp locking apparatus, shown and described.

(51) **LOC (7) Cl.** **08-07**

(52) **U.S. Cl.** **D8/343**

(58) **Field of Search** D8/330, 331, 343,
D8/345; 70/54, 55, 56, 2-13, 31-34, 416-417;
292/262, 288-298

DESCRIPTION

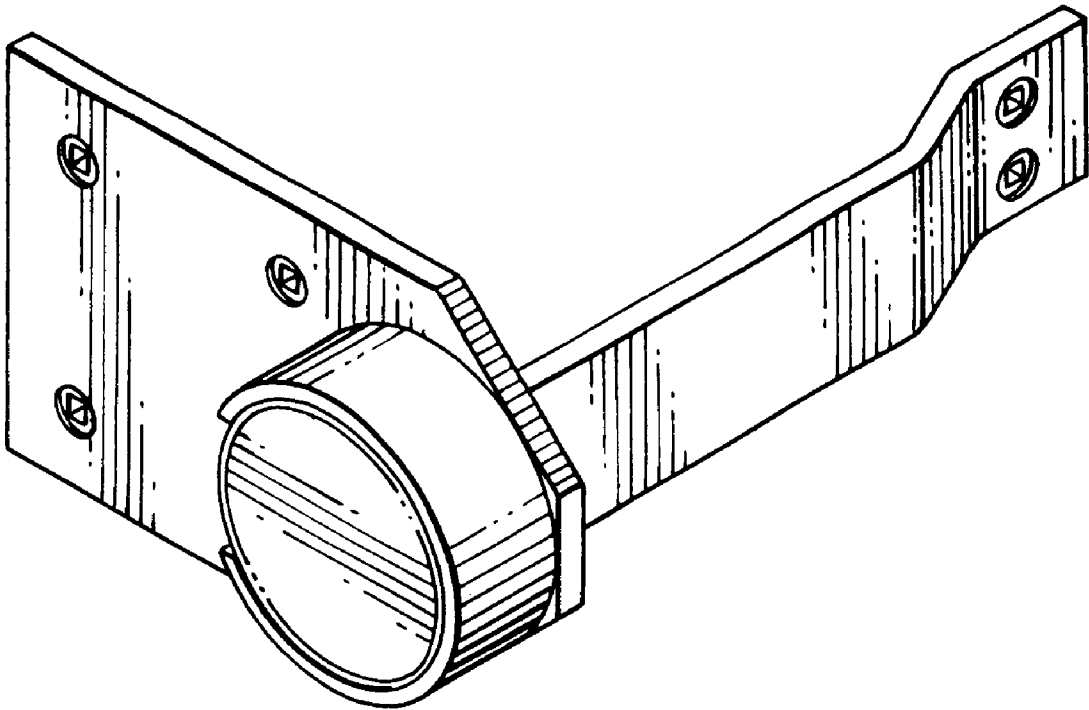
FIG. 1 is an isometric view of the present invention directed at a top left corner of the present invention; FIG. 2 is a front elevational view of the present invention; FIG. 3 is a bottom elevational view of the present invention; FIG. 4 is a left side elevational view of the present invention; FIG. 5 is a right side elevational view of the present invention; and, FIG. 6 is a rear view of the present invention.

(56) **References Cited**

U.S. PATENT DOCUMENTS

3,914,965 A * 10/1975 Paxton 292/288 X
D269,063 S * 5/1983 Gill D8/343
4,770,451 A * 9/1988 Souza 292/289
5,172,574 A * 12/1992 Perfetto 70/56

1 Claim, 2 Drawing Sheets



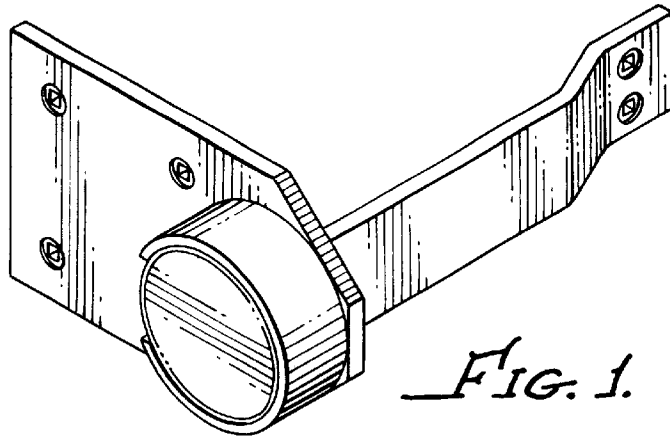


FIG. 1.

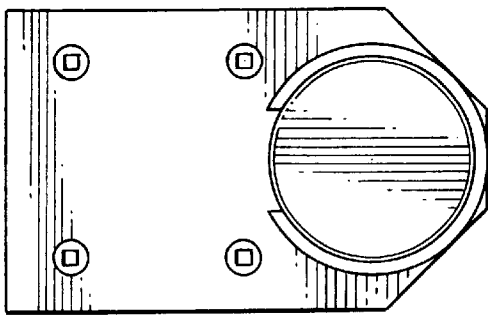


FIG. 2.

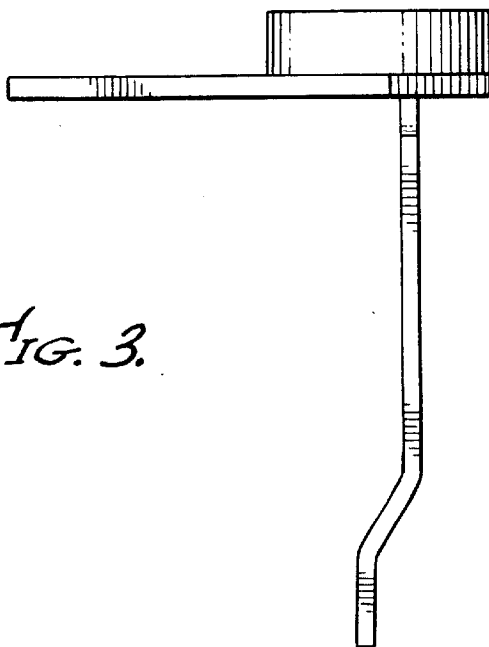


FIG. 3.

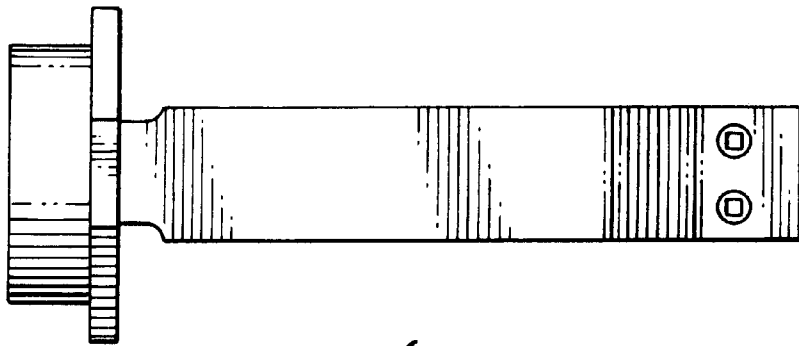


FIG. 4.

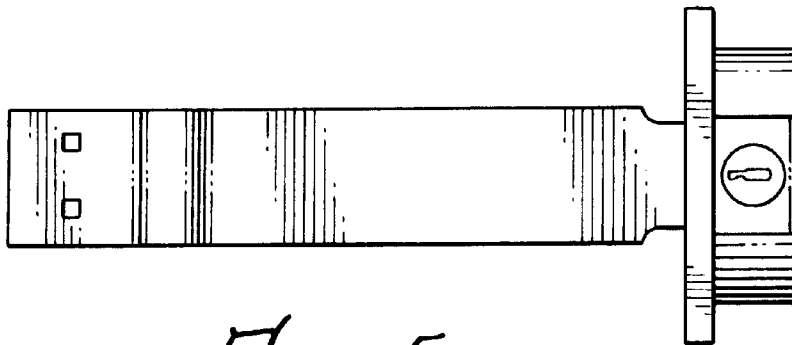


FIG. 5.

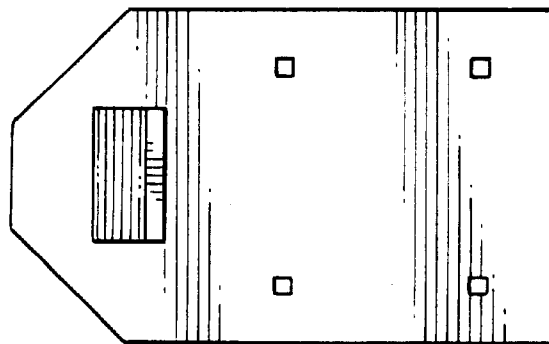


FIG. 6.