



US00D342473S

United States Patent [19]

[11] Patent Number: Des. 342,473

Konecny et al.

[45] Date of Patent: ** Dec. 21, 1993

[54] **BICYCLE CARRIER RACK**

[76] Inventors: **Pamela Konecny**, 1418 Monroe Ave., River Forest, Ill. 60305; **Wendy Khalil**, 1933 Redwood La., Northbrook, Ill. 60062

[**] Term: **14 Years**

[21] Appl. No.: **881,245**

[22] Filed: **May 11, 1992**

[52] U.S. Cl. **D12/158**

[58] Field of Search **D12/158; 224/35, 37, 224/39**

[56] **References Cited**

U.S. PATENT DOCUMENTS

D. 299,818 2/1989 Blackburn D12/158
D. 310,808 9/1990 Rosecoff D12/158

OTHER PUBLICATIONS

American Bicyclist & Motorcyclist, Apr. 1991, p. 71, the Pletscher luggage/cargo bicycle carrier.

Primary Examiner—Wallace R. Burke

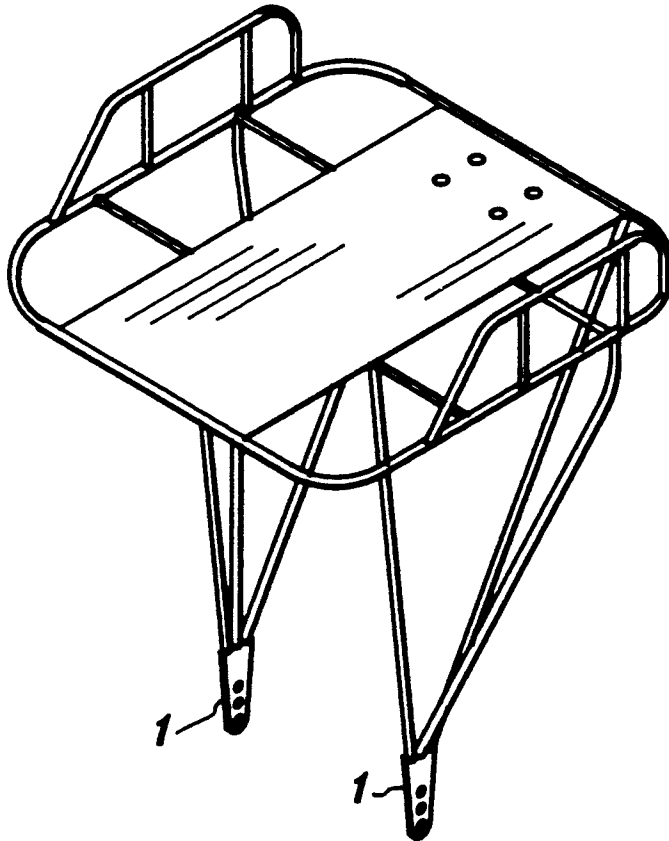
Assistant Examiner—Melody Brown
Attorney, Agent, or Firm—Milton S. Gerstein; Marvin Benn

[57] **CLAIM**

The ornamental design for a bicycle carrier rack, as shown and described.

DESCRIPTION

FIG. 1 is an isometric view of the bicycle carrier rack showing my new design;
FIG. 2 is a rear view thereof;
FIG. 3 is a bottom view thereof;
FIG. 4 is a top view thereof;
FIG. 5 is a first, side, elevational view thereof, with the other side elevational view being identical;
FIG. 6 is a front view thereof;
FIG. 7 is an isometric view of the bicycle carrier rack showing my new design attached to a child's bicycle;
FIG. 8 is an isometric view of a modification of the bicycle carrier rack showing my new design;
FIG. 9 is an isometric view of another modification of bicycle carrier rack showing my new design; and,
FIG. 10 is an isometric view of a yet another modification of the bicycle carrier rack showing my new design.



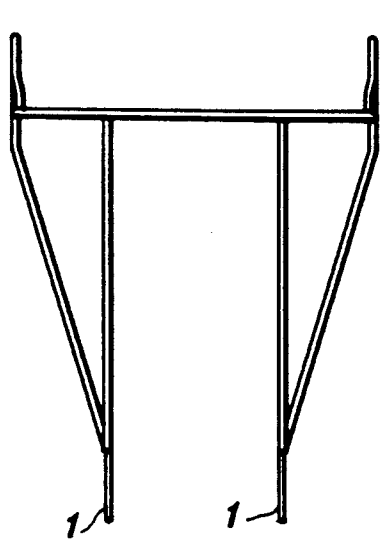


FIG. 2

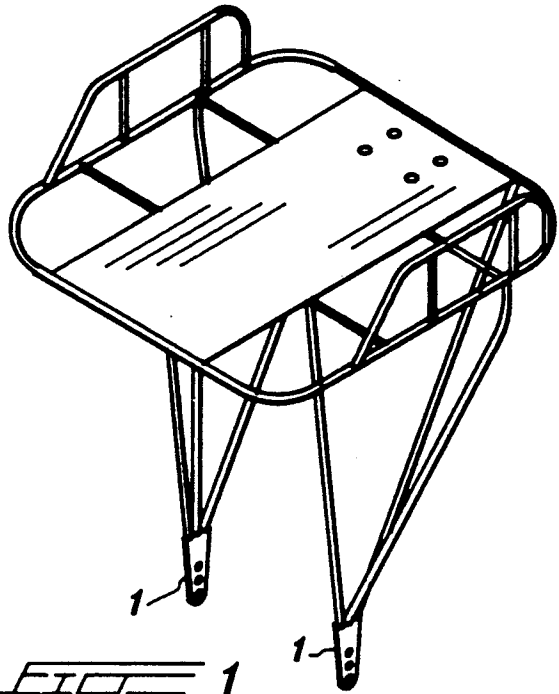


FIG. 1

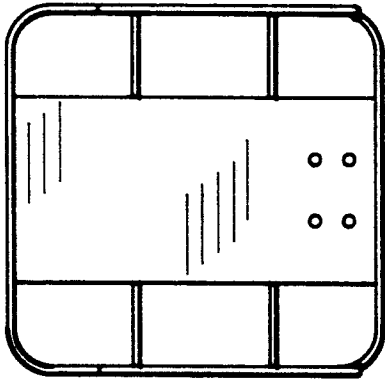


FIG. 4

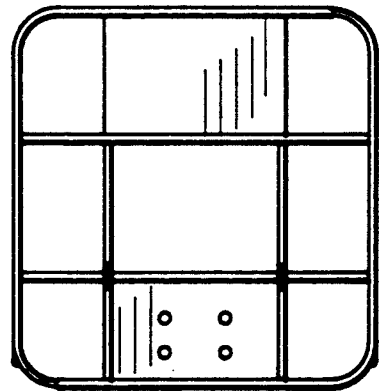


FIG. 3

FIG. 5

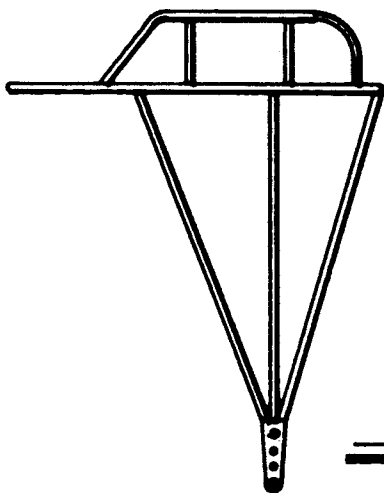


FIG. 6

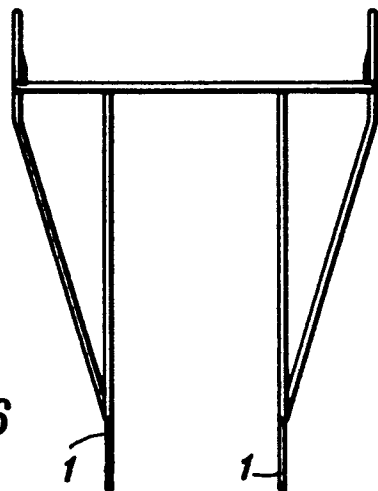


FIG. 1

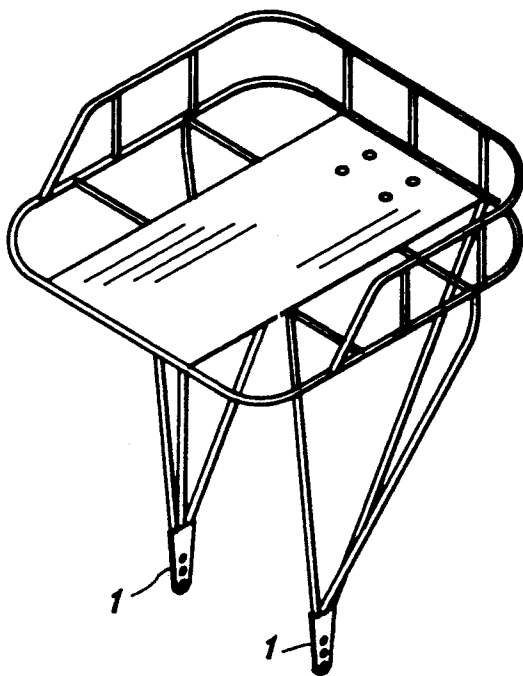


FIG. 9

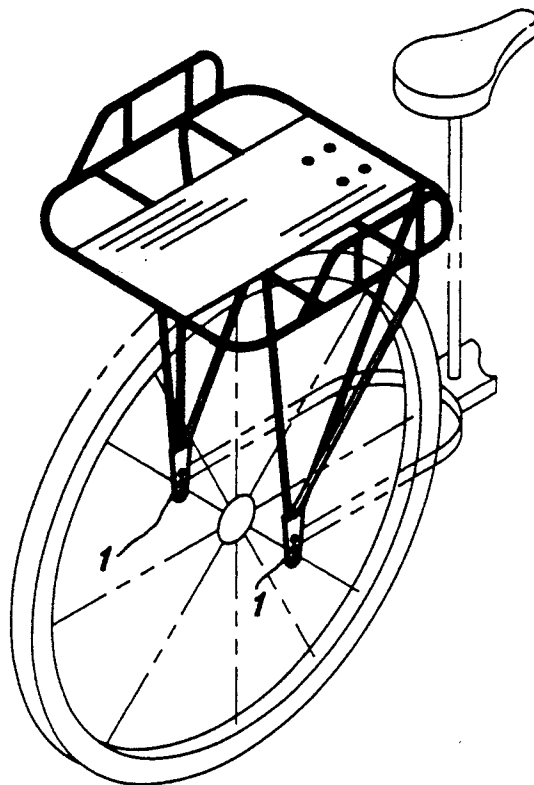


FIG. 7

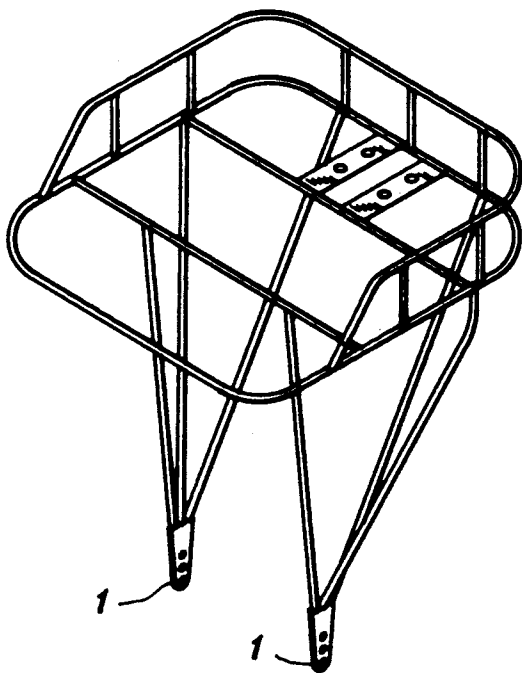


FIG. 10

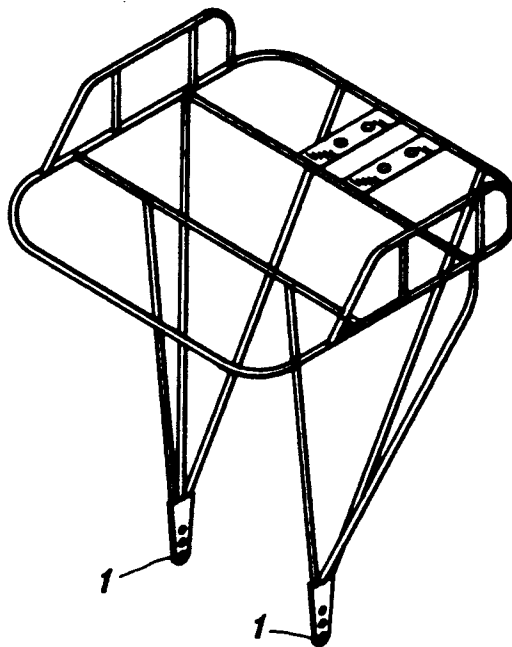


FIG. 8