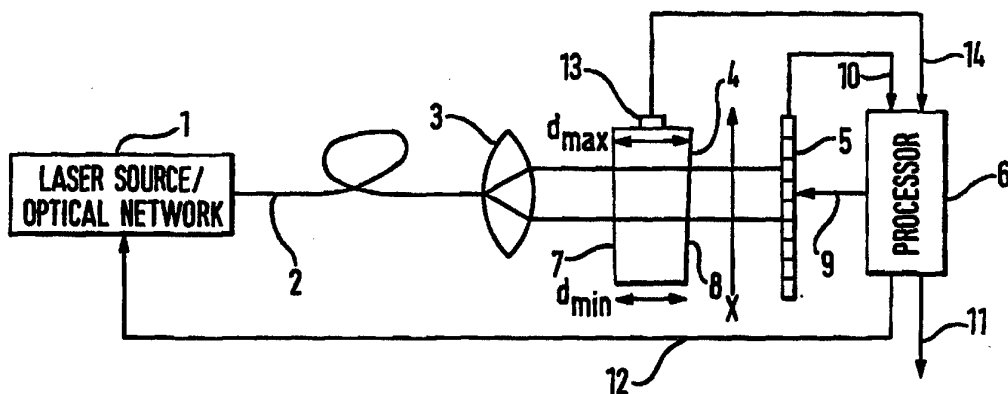




INTERNATIONAL APPLICATION PUBLISHED UNDER THE PATENT COOPERATION TREATY (PCT)

<p>(51) International Patent Classification ⁶ : G01J 9/02, H01S 3/133</p>	<p>A1</p>	<p>(11) International Publication Number: WO 95/20144</p> <p>(43) International Publication Date: 27 July 1995 (27.07.95)</p>
<p>(21) International Application Number: PCT/GB95/00094</p> <p>(22) International Filing Date: 19 January 1995 (19.01.95)</p> <p>(30) Priority Data: 94300440.8 20 January 1994 (20.01.94) EP</p> <p>(34) Countries for which the regional or international application was filed: GB et al.</p> <p>(71) Applicant (for all designated States except US): BRITISH TELECOMMUNICATIONS PUBLIC LIMITED COMPANY [GB/GB]; 81 Newgate Street, London EC1A 7AJ (GB).</p> <p>(72) Inventor; and (75) Inventor/Applicant (for US only): PRATT, David, John [GB/GB]; 29 Greatfield, Trinley St. Mary, Suffolk IP10 0YT (GB).</p> <p>(74) Agents: READ, Matthew, Charles et al.; Venner Shipley & Co, 20 Little Britain, London EC1A 7DH (GB).</p>		<p>(81) Designated States: CA, JP, US, European patent (AT, BE, CH, DE, DK, ES, FR, GB, GR, IE, IT, LU, MC, NL, PT, SE).</p> <p>Published With international search report.</p>

(54) Title: OPTICAL WAVELENGTH SENSOR



(57) Abstract

An optical wavelength sensor consists of a wedge shaped Fabry Perot etalon (4) which exhibits resonance for different optical wavelengths across its width (X), and an array of detectors x_n that detects the spatial disposition of resonant peaks which occur in the etalon, for comparison with stored peak patterns in a processor (6), so as to determine the spectral content of the incident light from an optical fibre (2).

FOR THE PURPOSES OF INFORMATION ONLY

Codes used to identify States party to the PCT on the front pages of pamphlets publishing international applications under the PCT.

AT	Austria	GB	United Kingdom	MR	Mauritania
AU	Australia	GE	Georgia	MW	Malawi
BB	Barbados	GN	Guinea	NE	Niger
BE	Belgium	GR	Greece	NL	Netherlands
BF	Burkina Faso	HU	Hungary	NO	Norway
BG	Bulgaria	IE	Ireland	NZ	New Zealand
BJ	Benin	IT	Italy	PL	Poland
BR	Brazil	JP	Japan	PT	Portugal
BY	Belarus	KE	Kenya	RO	Romania
CA	Canada	KG	Kyrgystan	RU	Russian Federation
CF	Central African Republic	KP	Democratic People's Republic of Korea	SD	Sudan
CG	Congo	KR	Republic of Korea	SE	Sweden
CH	Switzerland	KZ	Kazakhstan	SI	Slovenia
CI	Côte d'Ivoire	LI	Liechtenstein	SK	Slovakia
CM	Cameroon	LK	Sri Lanka	SN	Senegal
CN	China	LU	Luxembourg	TD	Chad
CS	Czechoslovakia	LV	Latvia	TG	Togo
CZ	Czech Republic	MC	Monaco	TJ	Tajikistan
DE	Germany	MD	Republic of Moldova	TT	Trinidad and Tobago
DK	Denmark	MG	Madagascar	UA	Ukraine
ES	Spain	ML	Mali	US	United States of America
FI	Finland	MN	Mongolia	UZ	Uzbekistan
FR	France			VN	Viet Nam
GA	Gabon				

Optical Wavelength Sensor

Field of the Invention

This invention relates to an optical wavelength sensor which has particular but not exclusive application to use in an optical data transmission network for monitoring channel transmission frequencies.

Background to the Invention

In order to cope with the increasing demand for subscriber services on telecommunication networks, digital optical transmission networks are being introduced in which local access networks, which typically route electrical signals, are interconnected by a fibre optic network. In order to upgrade the capacity of the optical network, wavelength division multiplexing (WDM) techniques have been proposed, which permit the transmission capability of the fibre link to be upgraded to the multi-G bit/s range.

15

In a WDM system, a number of different wavelength channels are transmitted simultaneously in an optical fibre, each channel being defined typically by a laser source.

In order for the transmission system to operate reliably, it is desirable to monitor the channel wavelengths. Present methods of measuring wavelength involve optical spectrum analysers, wave meters or gas absorption techniques. These known methods however can presently only be used in a laboratory and are expensive or impractical to implement in a telecommunications network.

25

A known wavemeter is described in " Low cost wavemeter with a solid Fizeau interferometer and fiber optic input" B. Faust et al, Applied Optics., Vol 30 No 36, 20 December 1991. The wavemeter comprises a resonant cavity in the form of a Fizeau wedge which exhibits resonance for different optical wavelengths at spaced locations therein. The wedge operates in reflection, in

30

response to optical radiation from an optical fibre, to direct radiation of different wavelengths to an array of detectors for detecting said different wavelengths from said spaced cavity locations. However, with such wavemeters that operate in reflection, there is an inherent limitation on the wavelength resolution that can be achieved and it would be difficult to use the known wavemeter to resolve WDM channels in an optical telecommunications system.

A wavemeter that operates in transmission, using a Fabry-Perot etalon is described in "A simple real-time wavemeter for pulsed lasers" Ja-Yong Koo et al, Measurement Science And Technology, Vol 2, No 1, January 1991, pp 55-58. This device can resolve extremely fine wavelength variations and for example can discern 10Hz wavelength jitter in a pulsed laser output. The laser radiation impinges on a Fabry Perot etalon that has parallel semireflective faces. A resulting fringe pattern in the form of circular rings, is imaged onto a detector array by a lens. The pattern of the rings shifts with very small changes in wavelength. However, for larger changes in wavelength, such as a few nm, that occurs between WDM channels, very substantial changes in the ring pattern would occur and would not be trackable in order to monitor the wavelength.

Summary of the Invention

According to the present invention there is provided a wavelength sensor with a cavity that comprises a Fabry Perot etalon having semireflective faces that produce multiple reflections therein, the cavity having a non-uniform thickness between the faces so as to produce said resonance at spaced locations for different wavelengths.

The semireflective faces may be disposed in a non-parallel configuration to provide the non-uniform cavity thickness.

The sensor may include input means to direct optical radiation into the cavity

on one side thereof through one of said faces in an axial direction, said detector array extending transversely of the axial direction on another side of the cavity to detect radiation emanating from the cavity through the other of the faces.

5 The sensor according to the invention may conveniently be included in an optical telecommunications network for monitoring the wavelength of one or more transmission channel, for example in a WDM system. The sensor may be used to provide an alarm when the wavelength of a particular channel
10 moves outside of predetermined limits. Also, the sensor may be used to control the wavelength produced by the optical source, for example in a feedback loop.

Thus, the invention provides a simple and convenient sensor which may
15 readily be incorporated into an optical transmission network for detecting the wavelengths of WDM channels.

Brief Description of the Drawings

In order that the invention may be more fully understood, an embodiment
20 thereof will now be described by way of example with reference to the accompanying drawings, in which:

Figure 1 is a schematic block diagram of an optical wavelength sensor in accordance with the invention, embodied in an optical telecommunications network; and

25 Figure 2 is a graph illustrating the outputs of the array of detectors shown in the direction X of Figure 1.

Description of an Embodiment of the Invention

Referring to Figure 1, the source 1 of optical radiation, shown schematically,
30 may comprise a multi-wavelength source, which produces a plurality of transmission channels in an optical transmission network. The output of the source 1 is directed into an optical fibre 2 coupled to the network. The

source 1 may in practice comprise a plurality of laser sources each operating at a respective different wavelength, with individual modulators that produce an optical modulated bit stream transmitted through the optical fibre 2. The individual laser sources may typically be at a plurality of remote locations and it may be desirable to monitor the wavelength of the various transmission channels to ensure that the telecommunications network is operating according to its design specification.

The optical wavelength sensor shown in Figure 1 comprises a lens 3, a Fabry Perot etalon 4, a detector array 5 and an output processor 6. The Fabry Perot etalon 4 consists of a block of optically transmissive material having semireflective planar facets 7, 8. The construction of a Fabry Perot etalon is well known *per se* and etalons are typically used as filters. The body of the etalon operates as a resonant cavity and the semireflective surfaces produce multiple reflections within the body so as to create a resonance. Resonance occurs at a particular wavelength, dependent upon the refractive index of the body and spacing between the semireflective surfaces which can be approximately characterised as follows:

$$n\lambda_r = 2\mu d \quad (1)$$

where λ_r is the resonant wavelength
 μ is the refractive index of the cavity material at the resonant wavelength
 d is the thickness of the cavity between the semireflective facets
 n is a positive integer.

In a conventional Fabry Perot etalon, the facets 7 and 8 are parallel to one another so that the etalon exhibits a resonance for a single wavelength peak. However, in accordance with the invention, the etalon shown in Figure 1 is slightly wedge shaped, so that the facets 7, 8 are slightly out of parallel. Thus, the thickness of the etalon varies between a minimum value d_{min} and a maximum value of d_{max} . As a result, a resonant cavity is provided which

exhibits a resonance for different optical wavelengths at spaced locations in the direction X across the width of the etalon, normal to the direction of the incident optical beam.

- 5 The lens 3 acts as a beam spreader so as to spread the beam from the optical fibre 2 across the width of the etalon.

The etalon may be made of silica or other suitable materials according to techniques well known *per se*. The wedge angle and the thicknesses d_{min} and d_{max} are selected according to the range of wavelengths to be detected and can be determined by routine methods as will readily be apparent to those skilled in the art. The device may typically be configured to discriminate between WDM channels within the usual optical telecommunication wavelength bandwidths centered on 1300 or 1500 nm

15

The array of detectors 5 comprises a linear array of detectors $x_1, x_2 \dots x_n$ which may comprise CCD devices arranged in the direction X across the width of the incident optical beam. In this example the detectors are serially clocked by a clocking signal Cl produced by the output processor 6 on line 9 so that the outputs of the detectors are fed serially on line 10 to the output processor. Also, the array of detectors 5 may comprise comprise a photodiode array. Suitable arrays are available commercially as will be evident to those skilled in the art.

- 25 The output of the detectors $x_1 - x_n$ for wavelengths λ_1 and λ_2 is shown in Figure 2. Considering the wavelength λ_1 , the resonant condition defined by equation (1) occurs for two different values of the etalon thickness d in the direction X across the incident beam at detector positions $x_{\lambda_1,1}$ $x_{\lambda_1,2}$. For the second wavelength λ_2 , resonance occurs at different detector positions $x_{\lambda_2,1}$, $x_{\lambda_2,2}$. Thus, the spacings of the resonances $x_{\lambda_1,1}, x_{\lambda_2,1}$ or $x_{\lambda_1,2}, x_{\lambda_2,2}$ provide a measure of the wavelength of the incident beam. It will be seen that the output from the detector array 5 can be readily digitised and

30

compared in the output processor 6 with predetermined patterns held in a digital memory. The pattern and relative disposition of the resonant peaks thus provides an indication of the channel wavelengths incident from the optical fibre 2. The processor 6 can thus provide an output on line 11
5 indicative of the channel wavelengths and also can provide an indication of when each channel wavelength moves outside of a predetermined wavelength range, so as to monitor the integrity of data transmission in the network.

Typically, the laser sources 1 are at remote locations so that it will not be
10 readily possible to adjust the sources. However, if at least one laser source is proximate to the wavelength detector for example being in the same exchange building, it is possible to provide feedback on line 12 to the laser source so as to control its wavelength in a feedback loop, so as to keep its emission wavelength within a predetermined range.

15 As previously mentioned, the etalon 4 is preferably made of a material which has a low dependence of optical length on temperature so as to minimise changes in the product μd with temperature. It will be seen from equation (1) that changes of the product μd as a function of temperature will alter the
20 position at which the resonant peaks occur as a function of temperature. Preferably, the etalon is made of material such as fused silica for temperature stability. Furthermore, temperature compensation can be achieved by means of a temperature sensor 13, attached to the cavity 4 which provides a signal on line 14 to the processor 6 in order to permit the processor to compensate the
25 signals on lines 11, 12 as a function of temperature. Alternatively, or additionally, the etalon may be provided with some means, such as a Peltier element, to control the etalon's temperature.

Thus, by means of the described arrangement, it is possible to monitor the
30 individual channel wavelengths of a WDM optical network. The detector may be initialised by firstly transmitting a known reference frequency through the optical fibre 2 to provide datum positions for the resonant peaks.

As used herein, in both the description and the claims, the term "optical" includes visible light and non visible radiation such as ultra-violet and infrared radiation.

Claims

1. An optical wavelength sensor comprising a resonant cavity (4) which exhibits resonance for different optical wavelengths at spaced locations therein, and an array of detectors (x_n) for detecting said different wavelengths from said spaced cavity locations characterised in that the cavity (4) comprises a Fabry Perot etalon having semireflective faces (7, 8) that produce multiple reflections therein, the cavity having a non-uniform thickness (d) between said faces so as to produce said resonance at spaced locations for different wavelengths.
2. A sensor according to claim 1 wherein the semireflective faces (7, 8) are disposed in a non-parallel configuration whereby to provide said non-uniform cavity thickness.
3. A sensor according to claim 1 or 2 including input means (2) to direct optical radiation into the cavity (4) on one side thereof through one of said faces (7) in an axial direction, said detector array extending transversely of the axial direction on another side of the cavity to detect radiation emanating from the cavity through the other of the faces (8).
4. A sensor according to claim 3 including means (3) for spreading the radiation from the input means (2) transversely of the axial direction across the cavity for resonance therein.
5. A sensor according to claim 4 wherein the input means comprises an optical fibre (2) and the spreading means comprises a lens (3) disposed in the optical path between the fibre and the cavity.
6. A sensor according to any preceding claim wherein the array of

detectors comprises an array of CCD detectors (5).

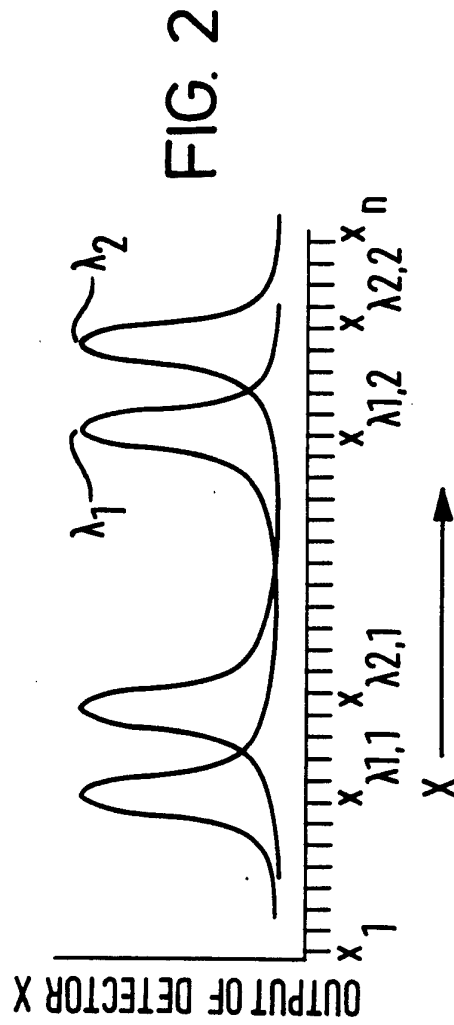
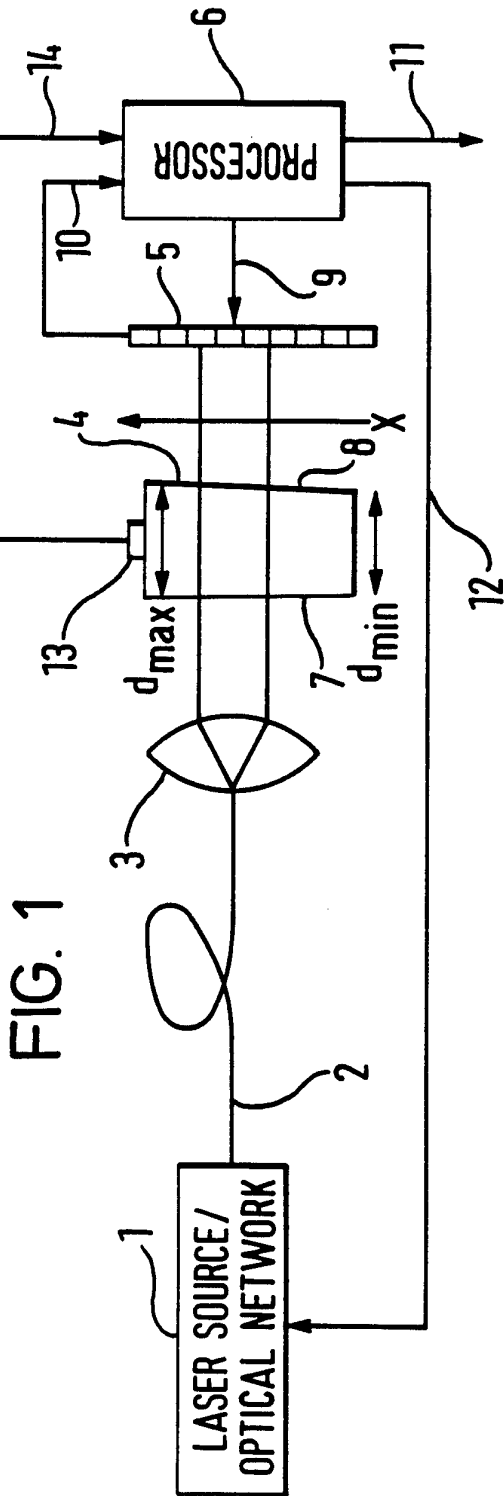
7. A sensor according to any preceding claim including a source of optical radiation (1) to be directed to the cavity, and output means (6) responsive to the detector array for controlling an operational characteristic of the source.

8. A sensor according to any preceding claim including output means (11) responsive to the detectors for providing a given output when the wavelength characteristic of optical radiation incident on the cavity departs from a predetermined characteristic.

9. A sensor according to any preceding claim including temperature sensing means (13) for sensing the cavity temperature, and compensating means (6) for compensating the output of the output means for changes in the sensed wavelength produced by changes in cavity temperature.

10. A sensor according to any preceding claim wherein the cavity (4) is made of fused silica.

11. A WDM optical network including a detector according to any preceding claim for detecting the wavelengths of at least one of the WDM channels.



INTERNATIONAL SEARCH REPORT

International Application No
PCT/GB 95/00094

A. CLASSIFICATION OF SUBJECT MATTER IPC 6 G01J9/02 H01S3/133				
According to International Patent Classification (IPC) or to both national classification and IPC				
B. FIELDS SEARCHED				
Minimum documentation searched (classification system followed by classification symbols) IPC 6 G01J G02B H01S				
Documentation searched other than minimum documentation to the extent that such documents are included in the fields searched				
Electronic data base consulted during the international search (name of data base and, where practical, search terms used)				
C. DOCUMENTS CONSIDERED TO BE RELEVANT				
Category *	Citation of document, with indication, where appropriate, of the relevant passages	Relevant to claim No.		
Y	APPLIED OPTICS., vol.30, no.36, 20 December 1991, NEW YORK US pages 5254 - 5259 B.FAUST ET AL. 'Low-cost wavemeter with a solid Fizeau interferometer and fiber-optic input' see page 5254; figures 1,2,4,5 see page 5256, right column, paragraph 2 - page 5258, left column, paragraph 1 --- -/--	1-11		
<input checked="" type="checkbox"/> Further documents are listed in the continuation of box C. <input type="checkbox"/> Patent family members are listed in annex.				
* Special categories of cited documents :				
<table style="width: 100%; border: none;"> <tr> <td style="width: 50%; border: none; vertical-align: top;"> "A" document defining the general state of the art which is not considered to be of particular relevance "E" earlier document but published on or after the international filing date "L" document which may throw doubts on priority claim(s) or which is cited to establish the publication date of another citation or other special reason (as specified) "O" document referring to an oral disclosure, use, exhibition or other means "P" document published prior to the international filing date but later than the priority date claimed </td> <td style="width: 50%; border: none; vertical-align: top;"> "T" later document published after the international filing date or priority date and not in conflict with the application but cited to understand the principle or theory underlying the invention "X" document of particular relevance; the claimed invention cannot be considered novel or cannot be considered to involve an inventive step when the document is taken alone "Y" document of particular relevance; the claimed invention cannot be considered to involve an inventive step when the document is combined with one or more other such documents, such combination being obvious to a person skilled in the art. "&" document member of the same patent family </td> </tr> </table>			"A" document defining the general state of the art which is not considered to be of particular relevance "E" earlier document but published on or after the international filing date "L" document which may throw doubts on priority claim(s) or which is cited to establish the publication date of another citation or other special reason (as specified) "O" document referring to an oral disclosure, use, exhibition or other means "P" document published prior to the international filing date but later than the priority date claimed	"T" later document published after the international filing date or priority date and not in conflict with the application but cited to understand the principle or theory underlying the invention "X" document of particular relevance; the claimed invention cannot be considered novel or cannot be considered to involve an inventive step when the document is taken alone "Y" document of particular relevance; the claimed invention cannot be considered to involve an inventive step when the document is combined with one or more other such documents, such combination being obvious to a person skilled in the art. "&" document member of the same patent family
"A" document defining the general state of the art which is not considered to be of particular relevance "E" earlier document but published on or after the international filing date "L" document which may throw doubts on priority claim(s) or which is cited to establish the publication date of another citation or other special reason (as specified) "O" document referring to an oral disclosure, use, exhibition or other means "P" document published prior to the international filing date but later than the priority date claimed	"T" later document published after the international filing date or priority date and not in conflict with the application but cited to understand the principle or theory underlying the invention "X" document of particular relevance; the claimed invention cannot be considered novel or cannot be considered to involve an inventive step when the document is taken alone "Y" document of particular relevance; the claimed invention cannot be considered to involve an inventive step when the document is combined with one or more other such documents, such combination being obvious to a person skilled in the art. "&" document member of the same patent family			
Date of the actual completion of the international search <div style="text-align: center; font-size: 1.2em;">3 April 1995</div>	Date of mailing of the international search report <div style="text-align: center; font-size: 1.2em;">07.04.95</div>			
Name and mailing address of the ISA European Patent Office, P.B. 5818 Patentlaan 2 NL - 2280 HV Rijswijk Tel. (+ 31-70) 340-2040, Tx. 31 651 epo nl, Fax (+ 31-70) 340-3016	Authorized officer <div style="text-align: center; font-size: 1.2em;">Scheu, M</div>			

INTERNATIONAL SEARCH REPORT

International Application No

PCT/GB 95/00094

C.(Continuation) DOCUMENTS CONSIDERED TO BE RELEVANT		
Category *	Citation of document, with indication, where appropriate, of the relevant passages	Relevant to claim No.
X	MEASUREMENT SCIENCE AND TECHNOLOGY, vol.2, no.1, January 1991, BRISTOL GB pages 54 - 58 JA-YONG KOO ET AL. 'A simple real-time wavemeter for pulsed lasers' see page 54, right column, paragraph 2 - page 55, right column, paragraph 2; figures 1,2 ---	1-11
Y	K MUTZE ET EL. 'ABC DER OPTIK' 1972 , WERNER DAUSIEN VERLAG , HANAU/MAIN, DE see page 239, left column, last paragraph - right column, paragraph 1 ---	1-11
A	IEEE PHOTONICS TECHNOLOGY LETTERS, vol.5, no.2, February 1993, US pages 186 - 189 Y.C.CHUNG ET AL. 'Synchronized Etalon Filters for Standardizing WDM Transmitter Laser Wavelengths' see page 186 - page 187, right column, paragraph 2; figures ---	11
A	JOURNAL OF LIGHTWAVE TECHNOLOGY, vol.LT-5, no.9, September 1987, NEW YORK, US pages 1301 - 1308 K.NOSU ET AL. 'Optical FDM Transmission Technique' see paragraph IV; figures 9-12 -----	7-9