

(12) **UK Patent Application** (19) **GB** (11) **2 425 120** (13) **A**

(43) Date of Printing by UK Office **18.10.2006**

(21) Application No: **0616721.7**  
(22) Date of Filing: **05.02.2005**  
(30) Priority Data:  
(31) **04002609** (32) **05.02.2004** (33) **EP**  
(86) International Application Data:  
**PCT/IB2005/000281 En 05.02.2005**  
(87) International Publication Data:  
**WO2005/075313 En 18.08.2005**

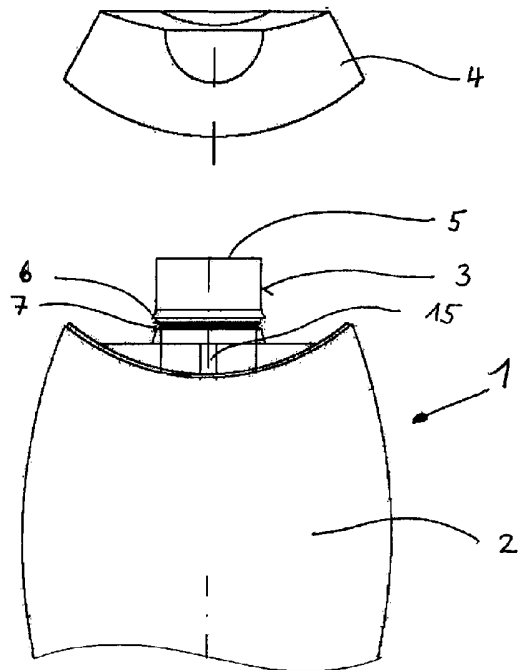
(51) INT CL:  
**B65D 49/12** (2006.01) **B65D 47/08** (2006.01)  
**B65D 51/20** (2006.01) **B65D 1/02** (2006.01)  
**B65D 41/16** (2006.01)  
(52) UK CL (Edition X):  
**B8T TTC TTT**  
(56) Documents Cited by ISA:  
**EP 1103478 A1** **WO 1998/031599 A1**  
**FR 002724632 A1**  
(58) Field of Search by ISA:  
INT CL **B65D**  
Other: **EPODOC, WPI**

(71) Applicant(s):  
**Rensan Holdings Limited**  
**(Incorporated in the Bahamas)**  
**Higgs Johnson, 83 Shirley Street, Nassau,**  
**Bahamas**  
(72) Inventor(s):  
**Anthony Shu**

(continued on next page)

(54) Abstract Title: **Tamper resistant container and cap**

(57) A container (1) comprises a container neck (3) with an opening (5) at the end of said neck (3) and a cap (4) which serves to close said opening (5). The neck comprises breakage means (7) which causes at least parts of the neck (3) to break off if the cap (4) is removed from said container (1). Tamper-evidence is shown on the neck of the container, as the neck breaks off at the breakage means if force is applied to remove the cap.



**GB 2425120 A continuation**

(74) Agent and/or Address for Service:  
**Baron & Warren**  
**19 South End, Kensington, LONDON,**  
**W8 5BU, United Kingdom**