



US00D725249S

(12) **United States Design Patent**  
**O'Brien**

(10) **Patent No.:** **US D725,249 S**

(45) **Date of Patent:** **\*\* \*Mar. 24, 2015**

(54) **BLOWER ASSEMBLY**

(71) Applicant: **TSI Products, Inc.**, Arlington, TX (US)

(72) Inventor: **Stephen William O'Brien**, Fort Worth, TX (US)

(73) Assignee: **TSI Products, Inc.**, Arlington, TX (US)

(\* ) Notice: This patent is subject to a terminal disclaimer.

(\*\*) Term: **14 Years**

(21) Appl. No.: **29/449,639**

(22) Filed: **Mar. 15, 2013**

(51) **LOC (10) Cl.** ..... **12-16**

(52) **U.S. Cl.**  
USPC ..... **D23/325; D23/383**

(58) **Field of Classification Search**

CPC ... B60H 1/00528; B60H 3/06; B60H 1/0002;  
F24F 1/0007; F24F 13/20; F04D 17/04;  
H02K 5/24  
USPC ..... D23/351, 354, 364, 365, 370, 381-387,  
D23/393, 499, 335, 324-328; 415/208.1,  
415/108, 129-128, 196, 203-206,  
415/213.1-215.1, 94; 416/158, 178;  
454/349, 354, 329, 139, 145; 417/411,  
417/423.5; D8/29.1, 29.2, 30; D32/15;  
D28/13, 15; D24/110; 62/244, 419,  
62/426; D12/400

See application file for complete search history.

(56) **References Cited**

**U.S. PATENT DOCUMENTS**

D118,964	S	*	2/1940	Redmond	.....	D23/326
3,231,176	A	*	1/1966	Bowen	.....	417/350
3,303,666	A	*	2/1967	Toper	.....	62/426
D208,404	S	*	8/1967	Dixon	.....	D23/325
D216,023	S	*	11/1969	Dixon	.....	D23/325
D216,886	S	*	3/1970	Myers	.....	D23/325
D221,148	S	*	7/1971	Cary	.....	D23/325

(Continued)

**OTHER PUBLICATIONS**

K3G097 Power (emb-Papst). embpapst.com. [online] 1 page. Uploaded Oct. 28, 2009 [retrieved on Nov. 4, 2014]. Retrieved from Internet: <[http://www.embpapst.com/de/press/press\\_releases/press\\_archive/press\\_archive\\_detail\\_1355.php](http://www.embpapst.com/de/press/press_releases/press_archive/press_archive_detail_1355.php)>.\*

*Primary Examiner* — Susan Bennett Hattan

*Assistant Examiner* — Marie Fast Horse

(74) *Attorney, Agent, or Firm* — Hitchcock Evert LLP

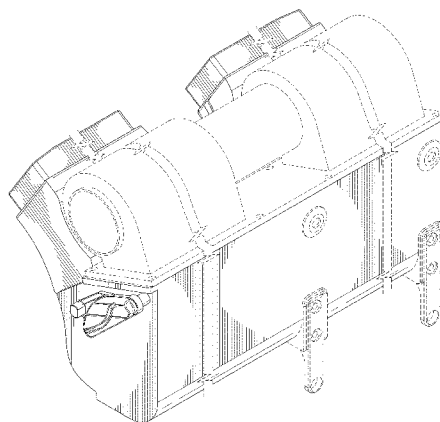
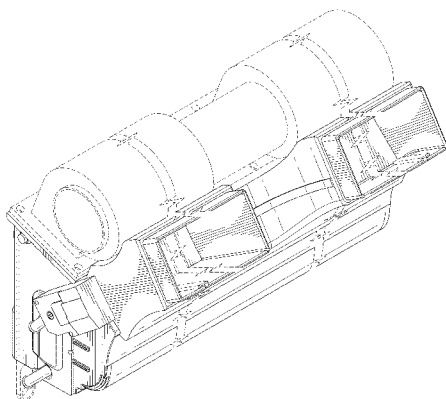
(57) **CLAIM**

The ornamental design for a blower assembly, as shown and described.

**DESCRIPTION**

FIG. 1 is a perspective view from the top-right of the blower assembly;  
FIG. 2 is a back view thereof;  
FIG. 3 is a front view thereof;  
FIG. 4 is a left side view thereof;  
FIG. 5 is a right side view thereof;  
FIG. 6 is a top view thereof; and  
FIG. 7 is a bottom view thereof;  
FIG. 8 is a perspective view from the top-left thereof.  
FIG. 9 is a perspective view from the top-right of a second embodiment of the blower assembly;  
FIG. 10 is a back view thereof;  
FIG. 11 is a front view thereof;  
FIG. 12 is a left side view thereof;  
FIG. 13 is a right side view thereof;  
FIG. 14 is a top view thereof; and  
FIG. 15 is a bottom view thereof; and,  
FIG. 16 is a perspective view from the top-left thereof.  
The broken lines depict parts of the blower assembly that form no part of the claimed design. The breakaway lines wrapping vertically around segments of the blower assembly indicate the appearance of any portion of the article between the break lines forms no part of the claimed design.

**1 Claim, 16 Drawing Sheets**



(56)

References Cited

U.S. PATENT DOCUMENTS

3,846,040	A *	11/1974	Dennis	415/204	D512,500	S *	12/2005	Wilson, Jr.	D23/383
3,874,191	A *	4/1975	Hudson	62/426	D512,501	S *	12/2005	Wilson, Jr.	D23/383
D247,306	S *	2/1978	Magee	D23/325	D537,517	S *	2/2007	Hancock	D23/383
4,171,190	A *	10/1979	Hudson	417/350	D546,438	S *	7/2007	Demirdjian et al.	D23/383
D290,747	S *	7/1987	Tigner et al.	D23/325	D593,192	S *	5/2009	Spaggiari	D23/370
5,308,224	A *	5/1994	Olivero et al.	415/53.1	D609,323	S *	2/2010	Spaggiari	D23/370
D363,980	S *	11/1995	Roach	D23/325	8,240,164	B2 *	8/2012	Tokunaga et al.	62/244
5,474,422	A *	12/1995	Sullivan	415/206	D687,137	S *	7/2013	Nemes	D23/332
D367,925	S *	3/1996	Smilo	D23/370	2003/0136139	A1 *	7/2003	Matsunaga et al.	62/244
D380,043	S *	6/1997	Chiu et al.	D23/370	2003/0143941	A1 *	7/2003	Fujiwara	454/139
D447,795	S *	9/2001	Hudson	D23/327	2006/0245920	A1 *	11/2006	Hou	415/206
6,385,984	B2 *	5/2002	Aoki	62/244	2011/0138844	A1 *	6/2011	Yamada et al.	62/419
6,651,453	B2 *	11/2003	Klingler et al.	62/244	2012/0076648	A1 *	3/2012	McBride et al.	415/204
					2013/0101449	A1 *	4/2013	Dickinson et al.	417/423.7
					2014/0271166	A1 *	9/2014	Ghosh et al.	415/204

\* cited by examiner

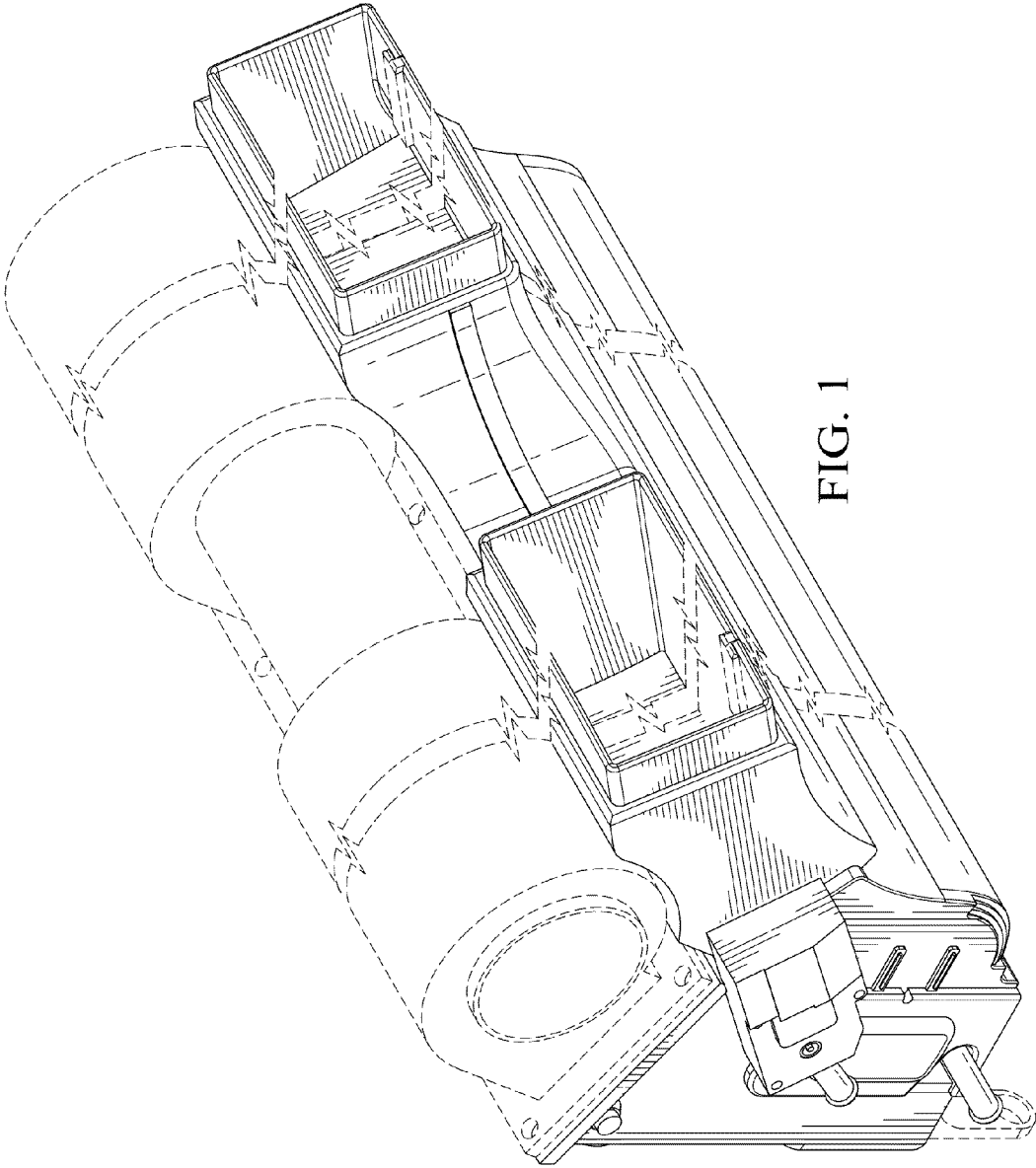
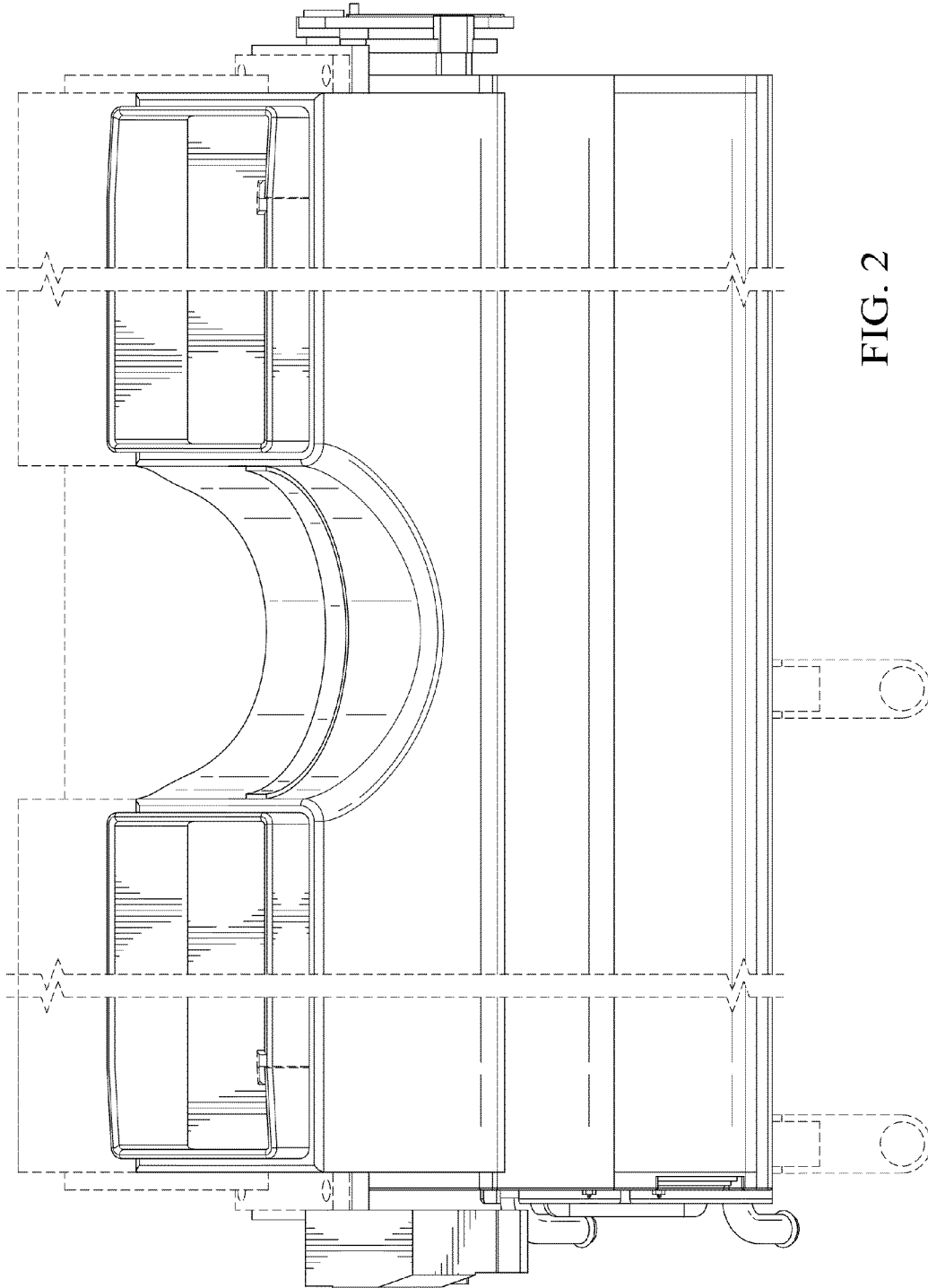


FIG. 1



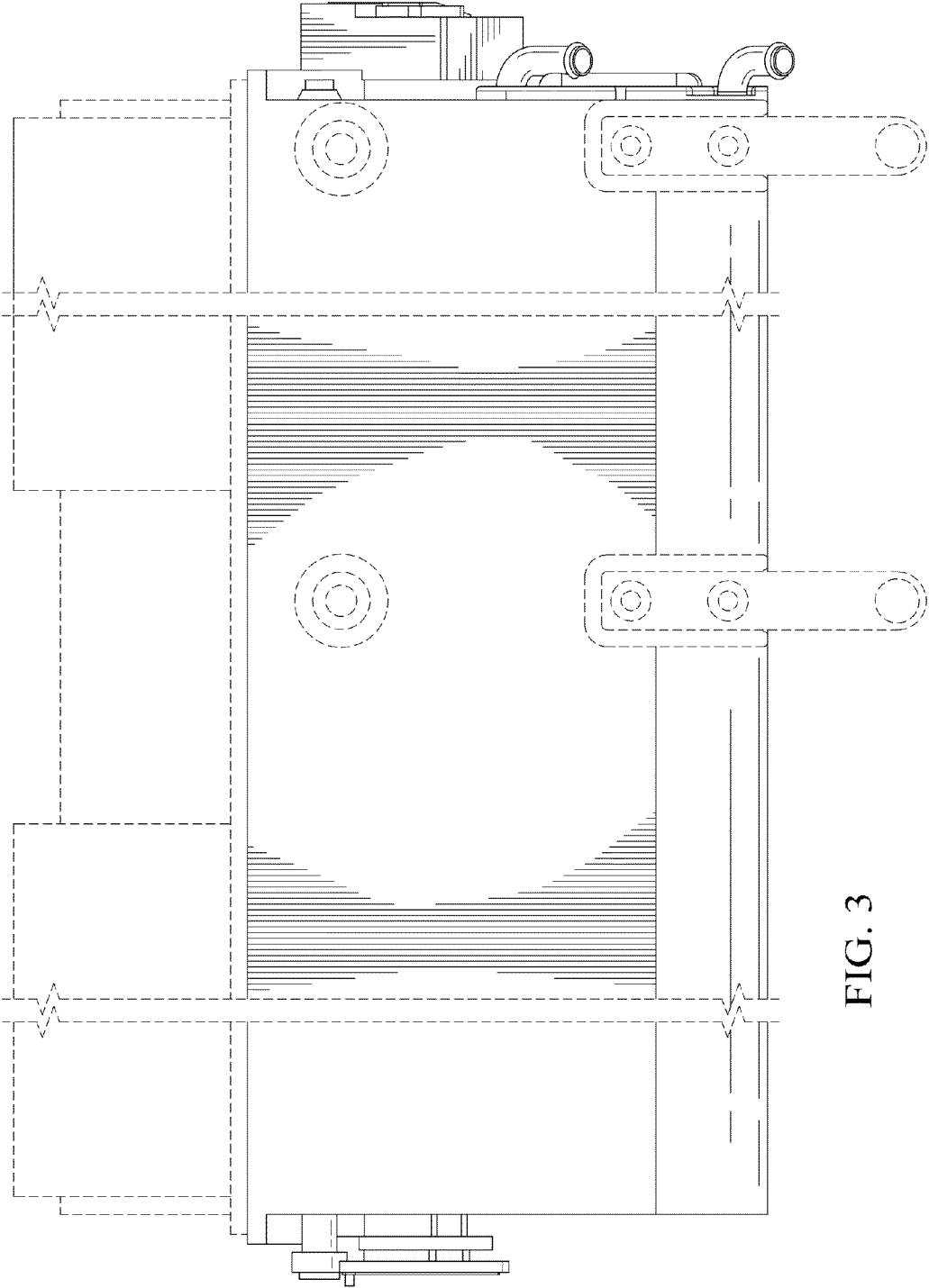


FIG. 3

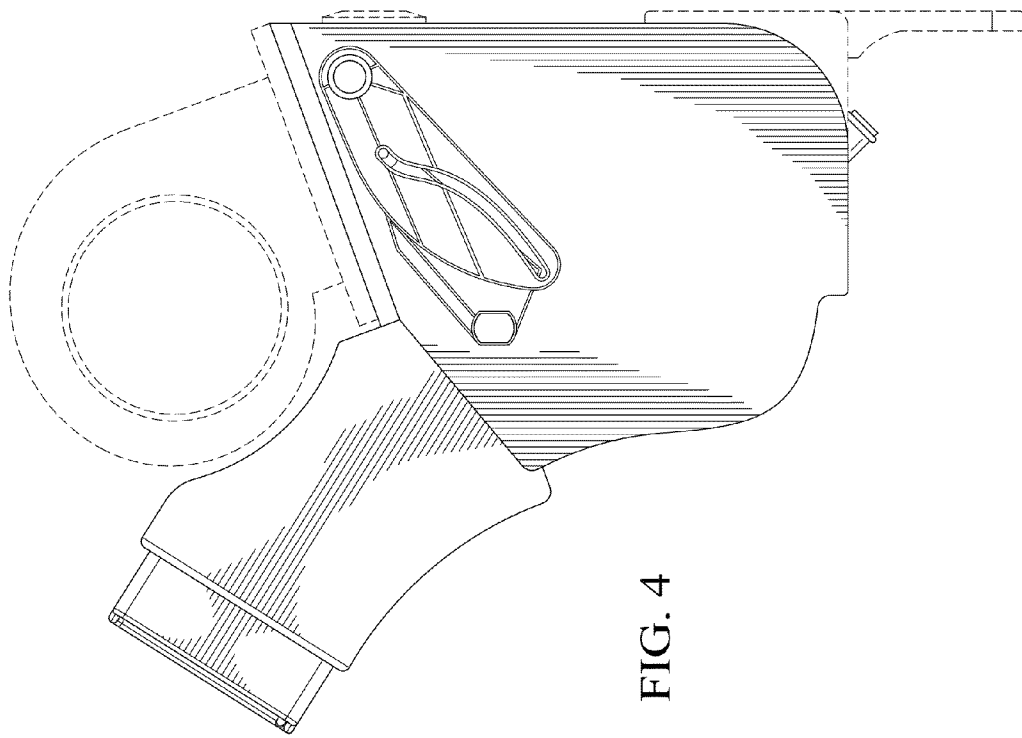


FIG. 4

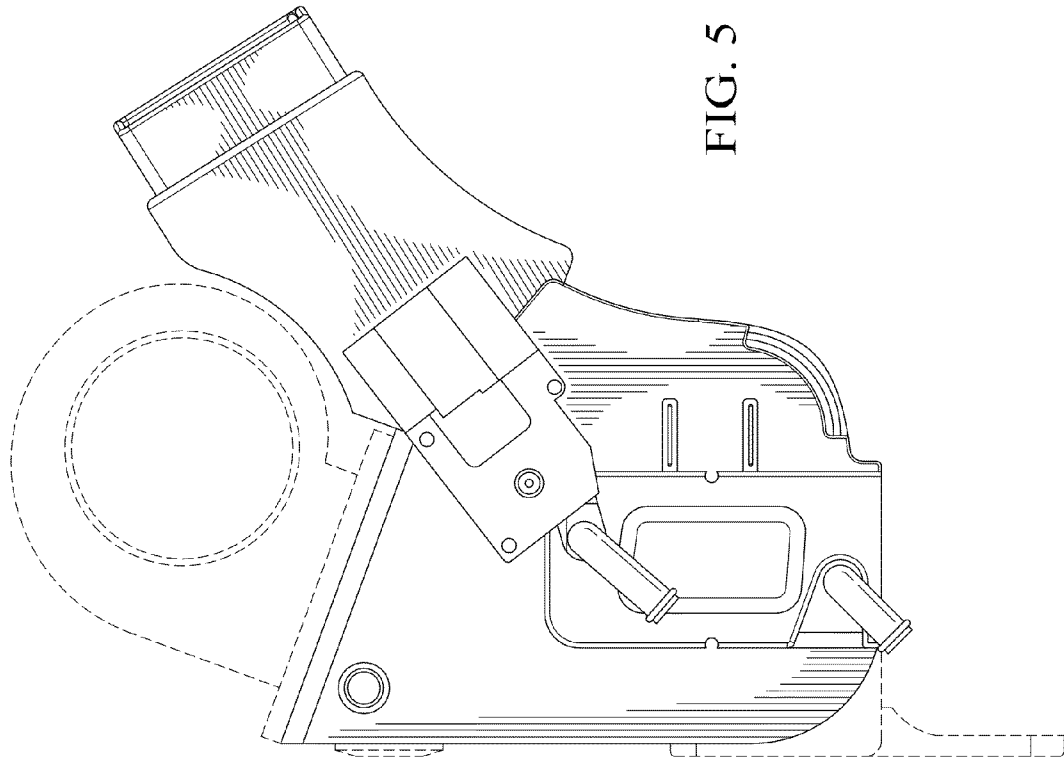


FIG. 5

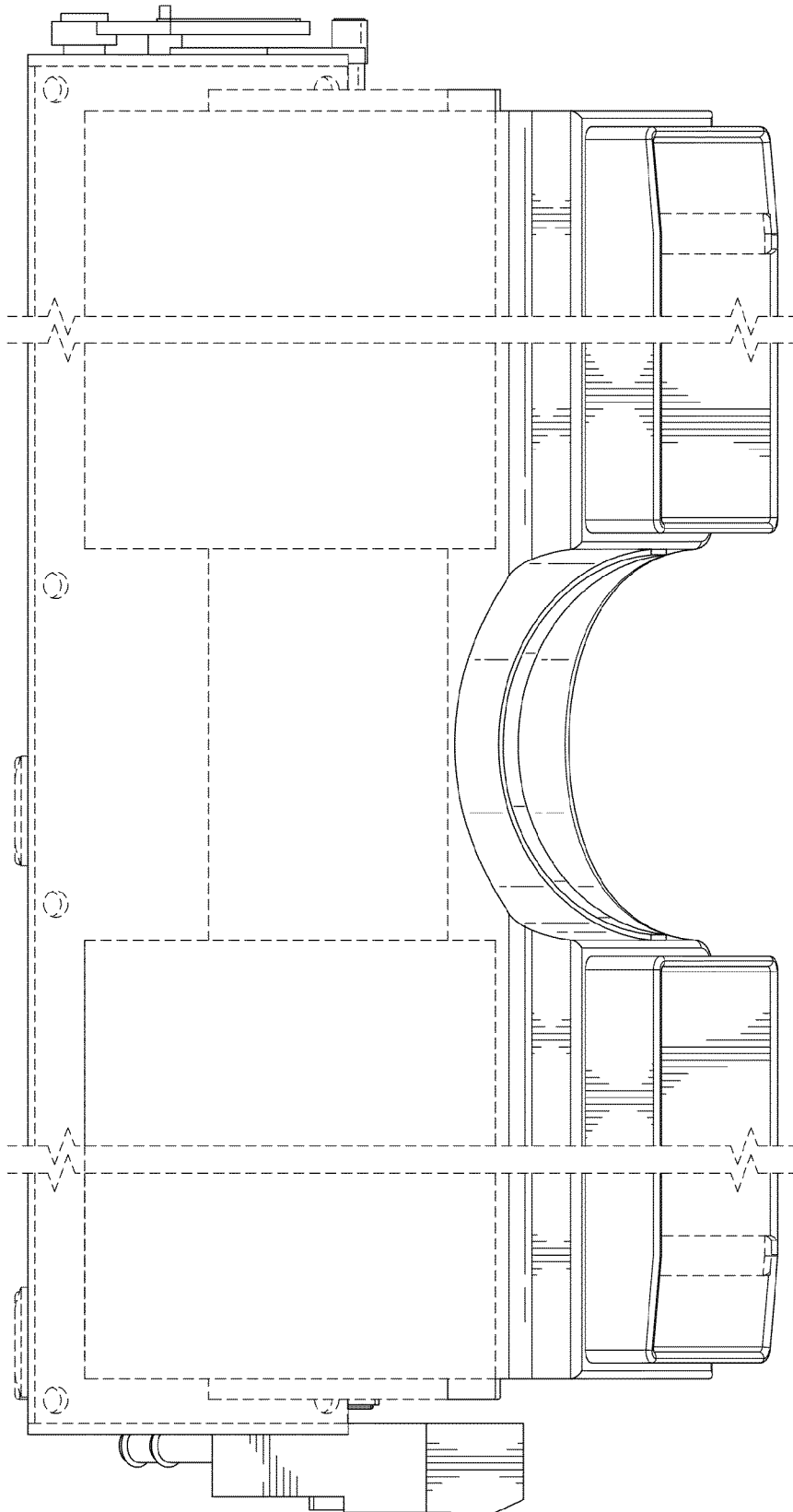


FIG. 6



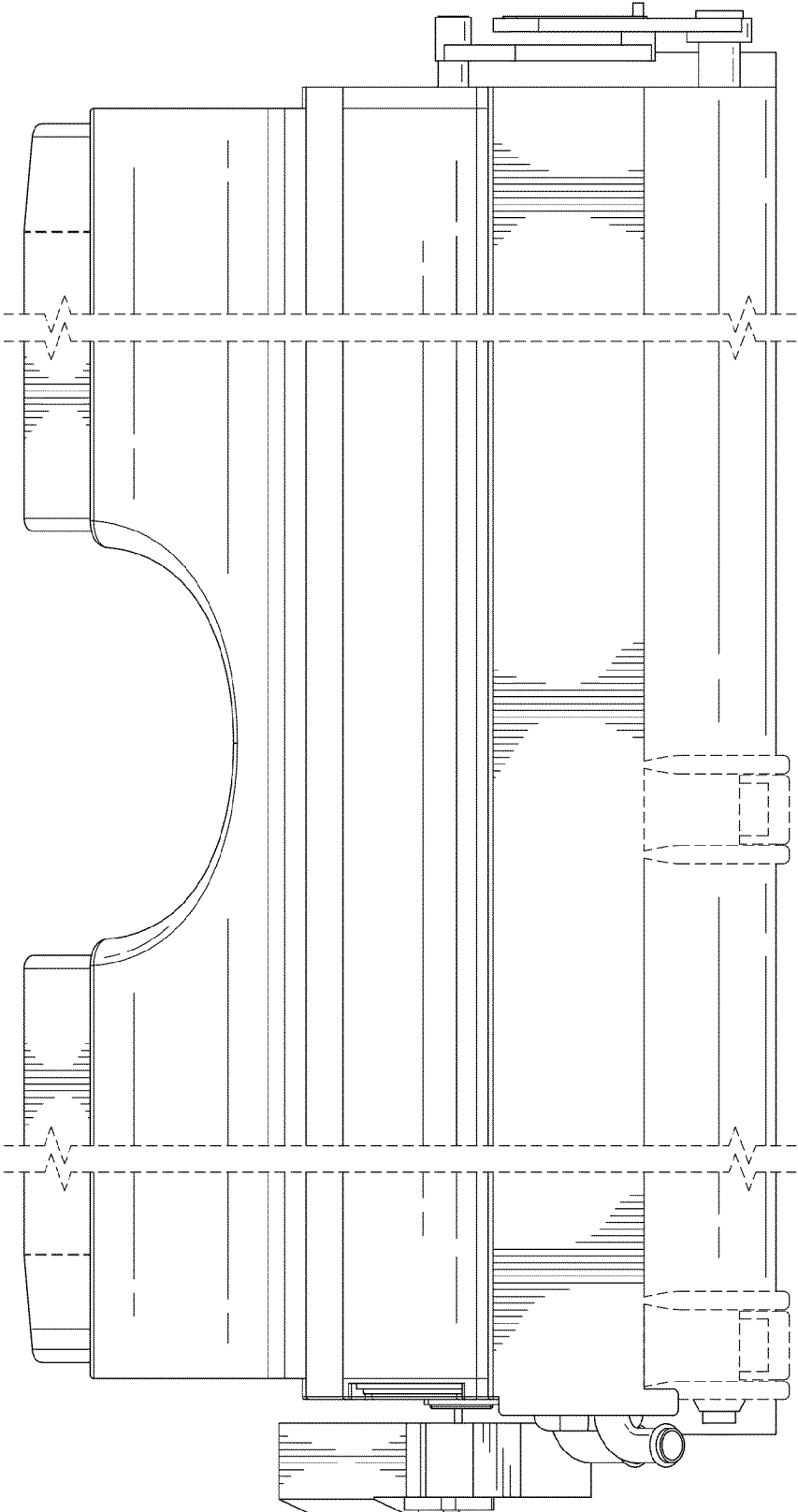


FIG. 7

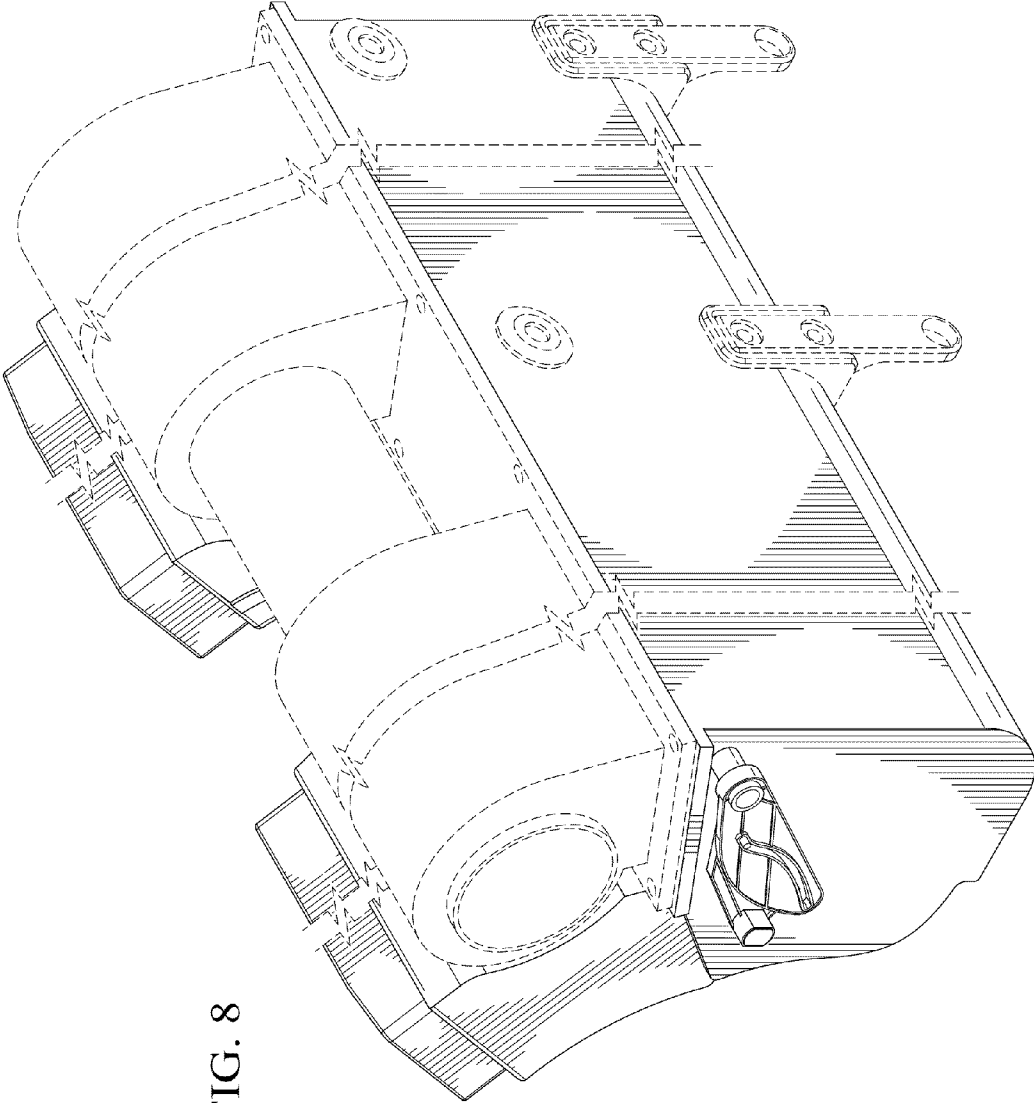


FIG. 8

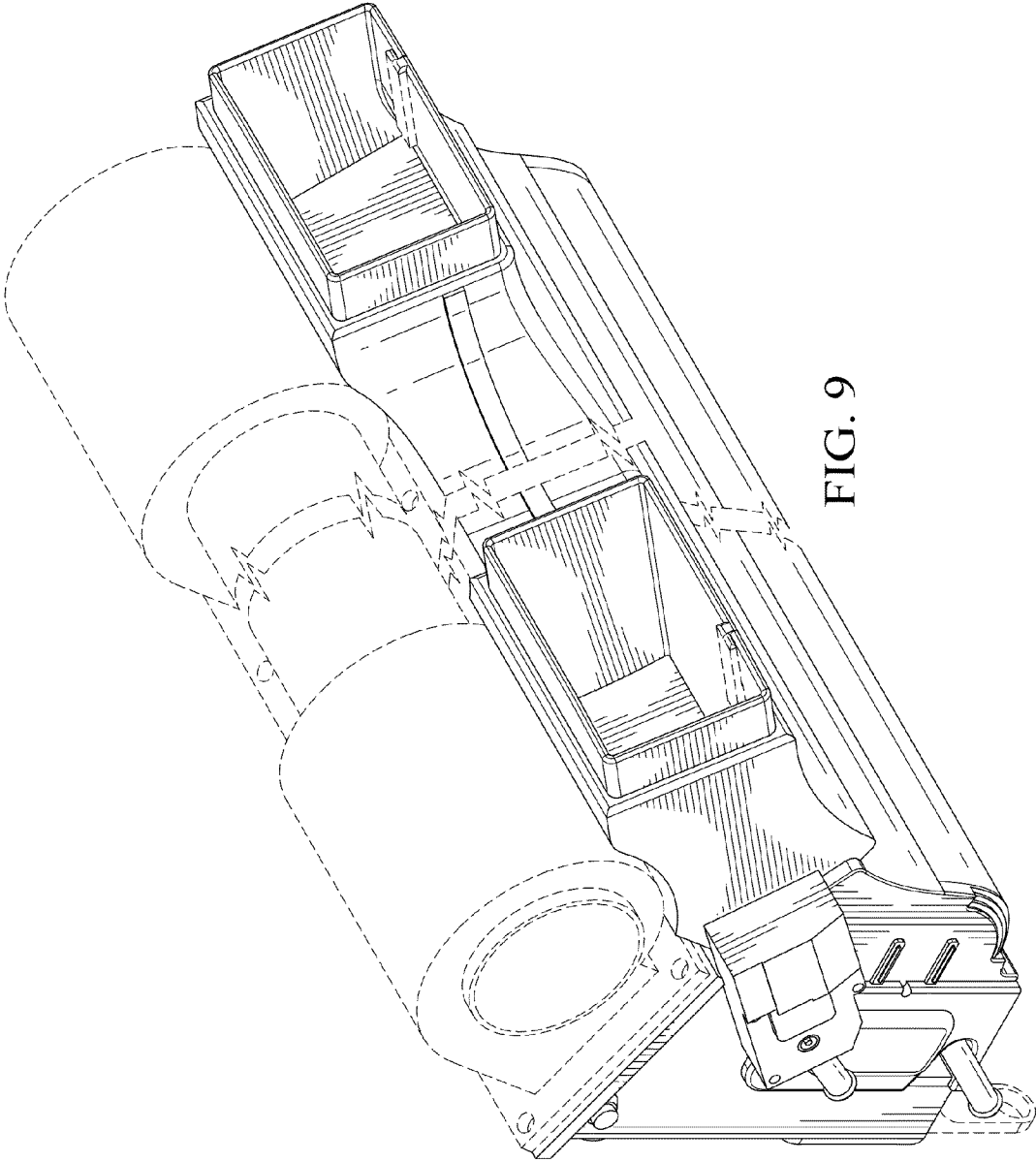
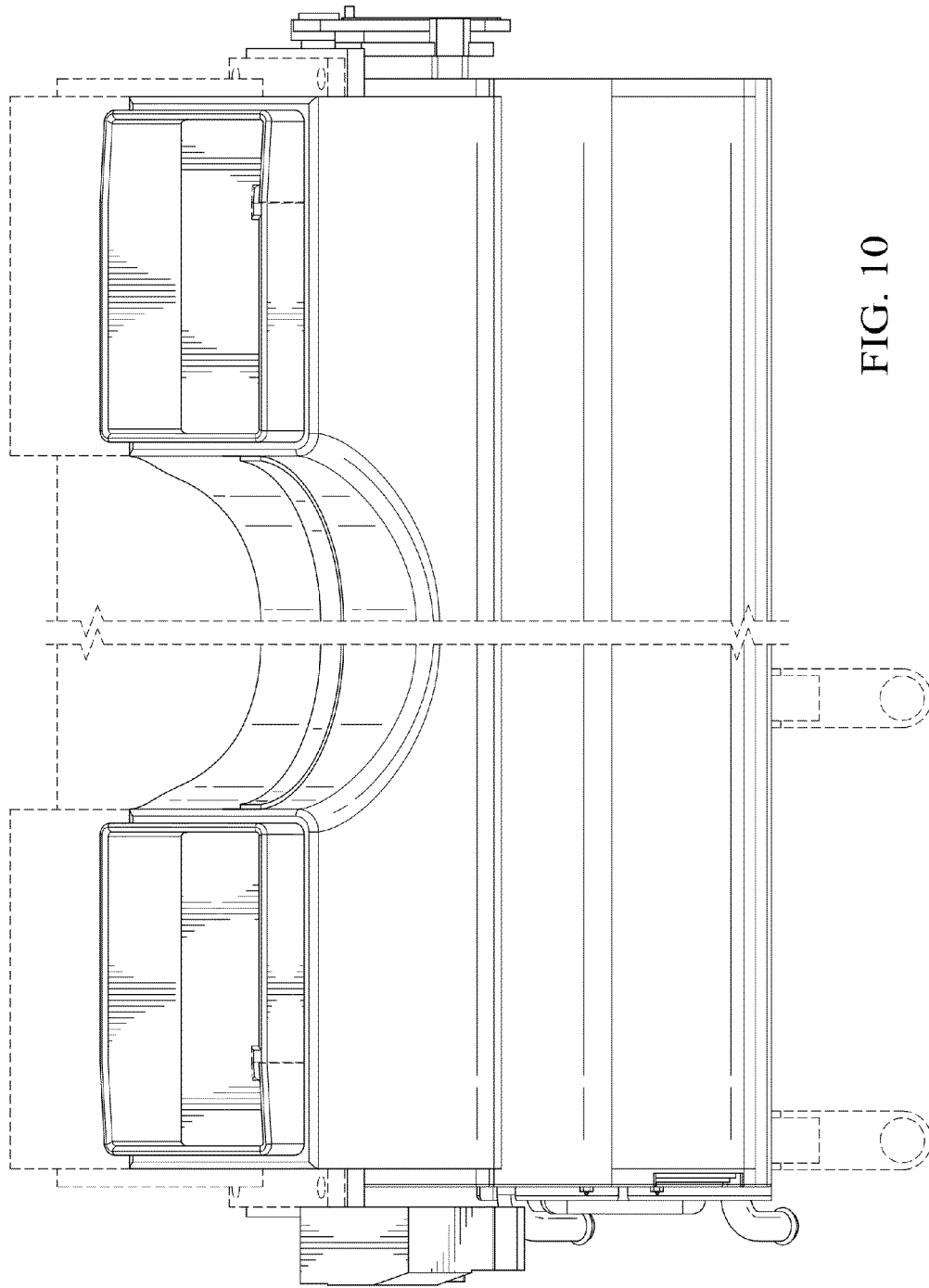


FIG. 9



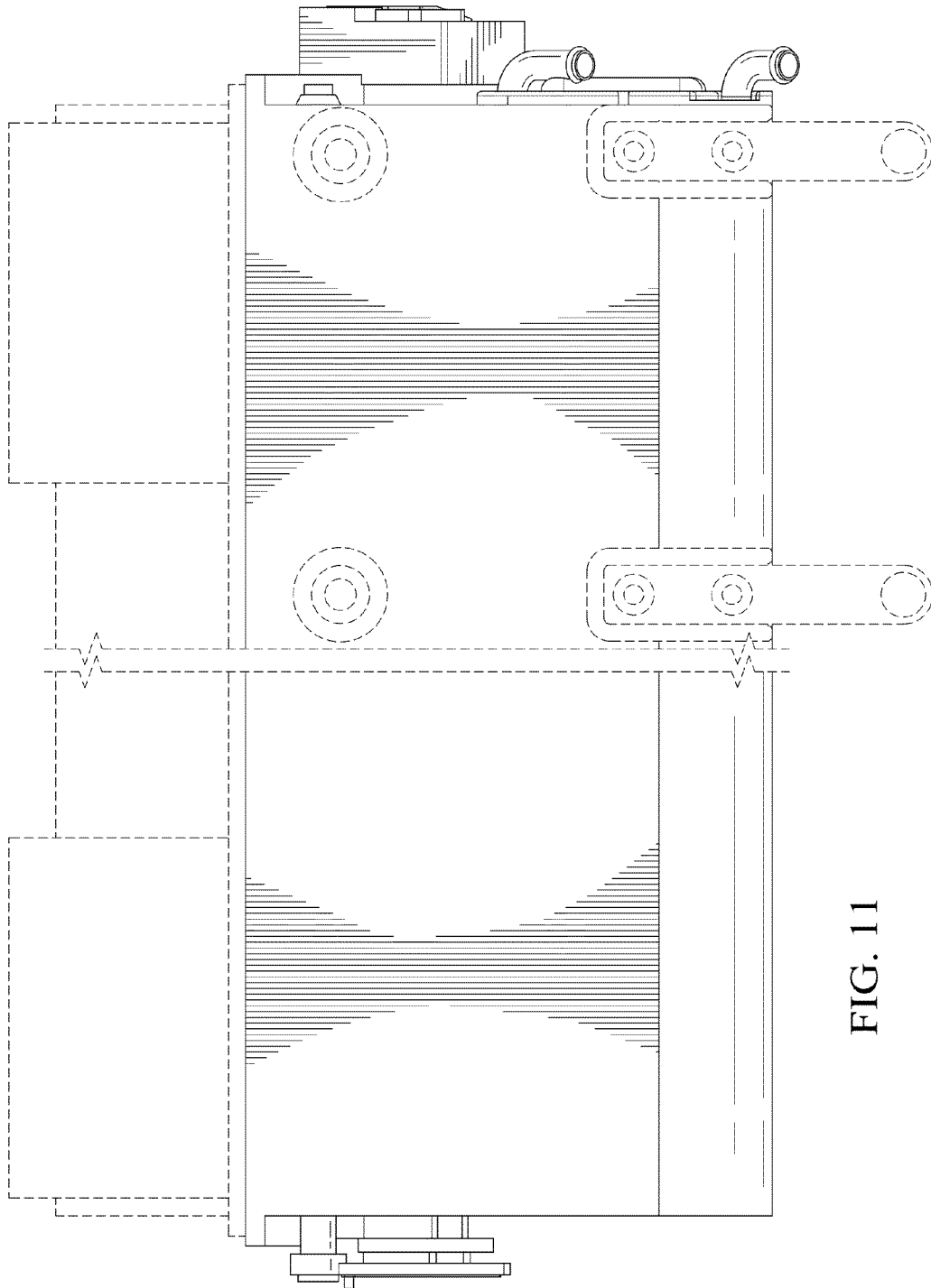


FIG. 11

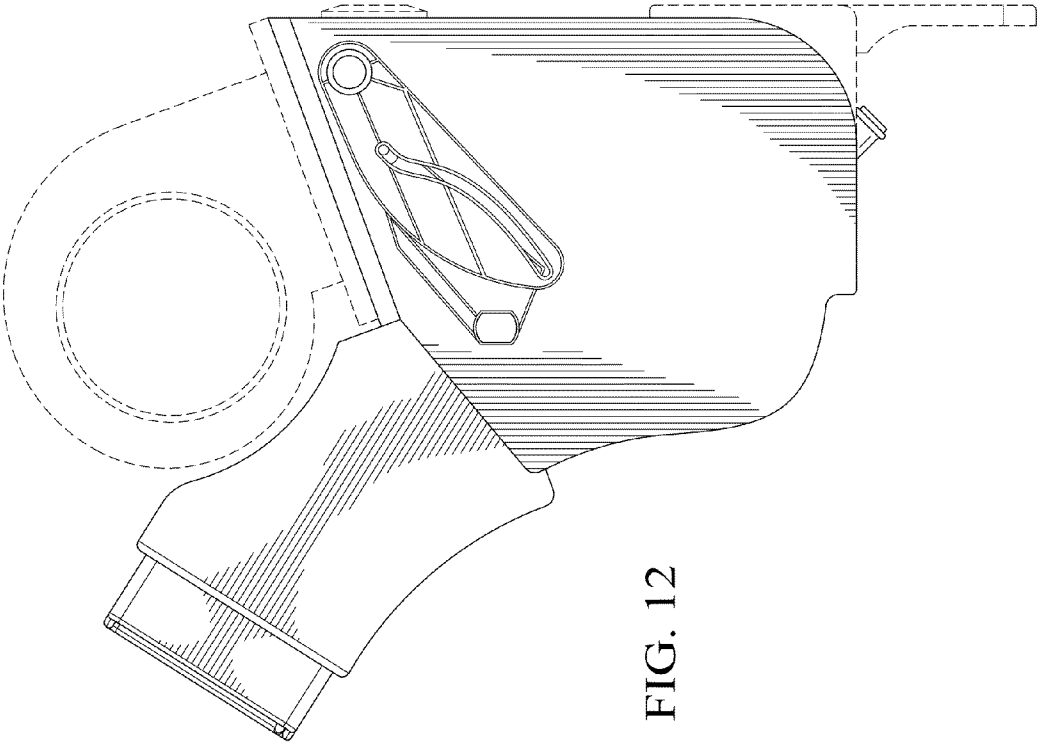


FIG. 12

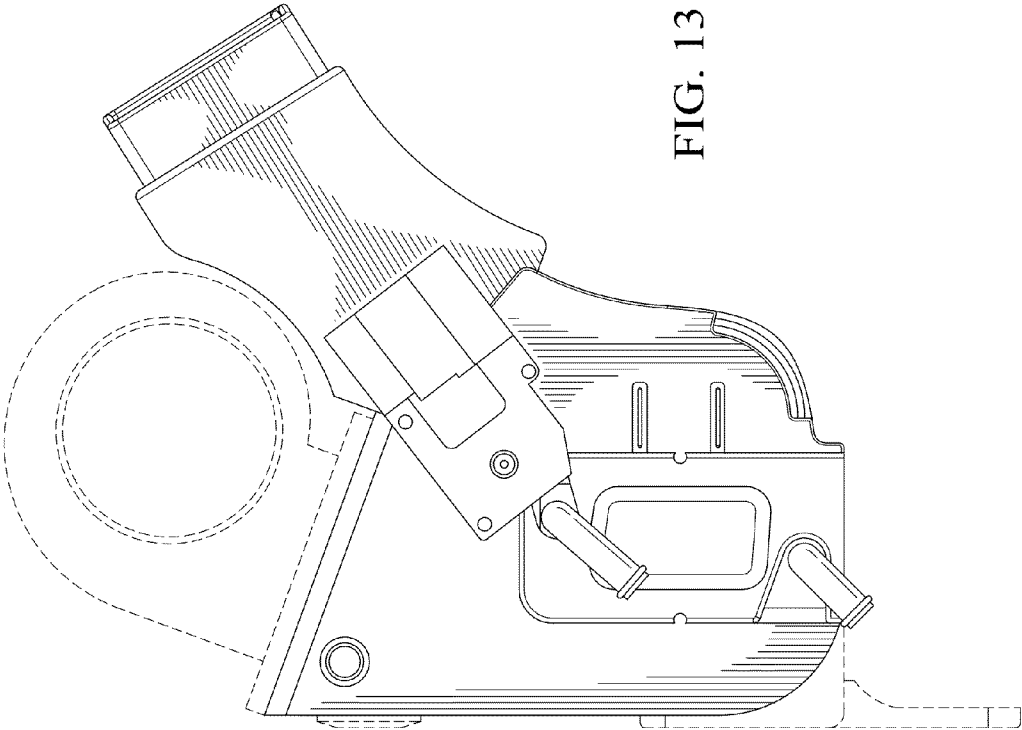


FIG. 13

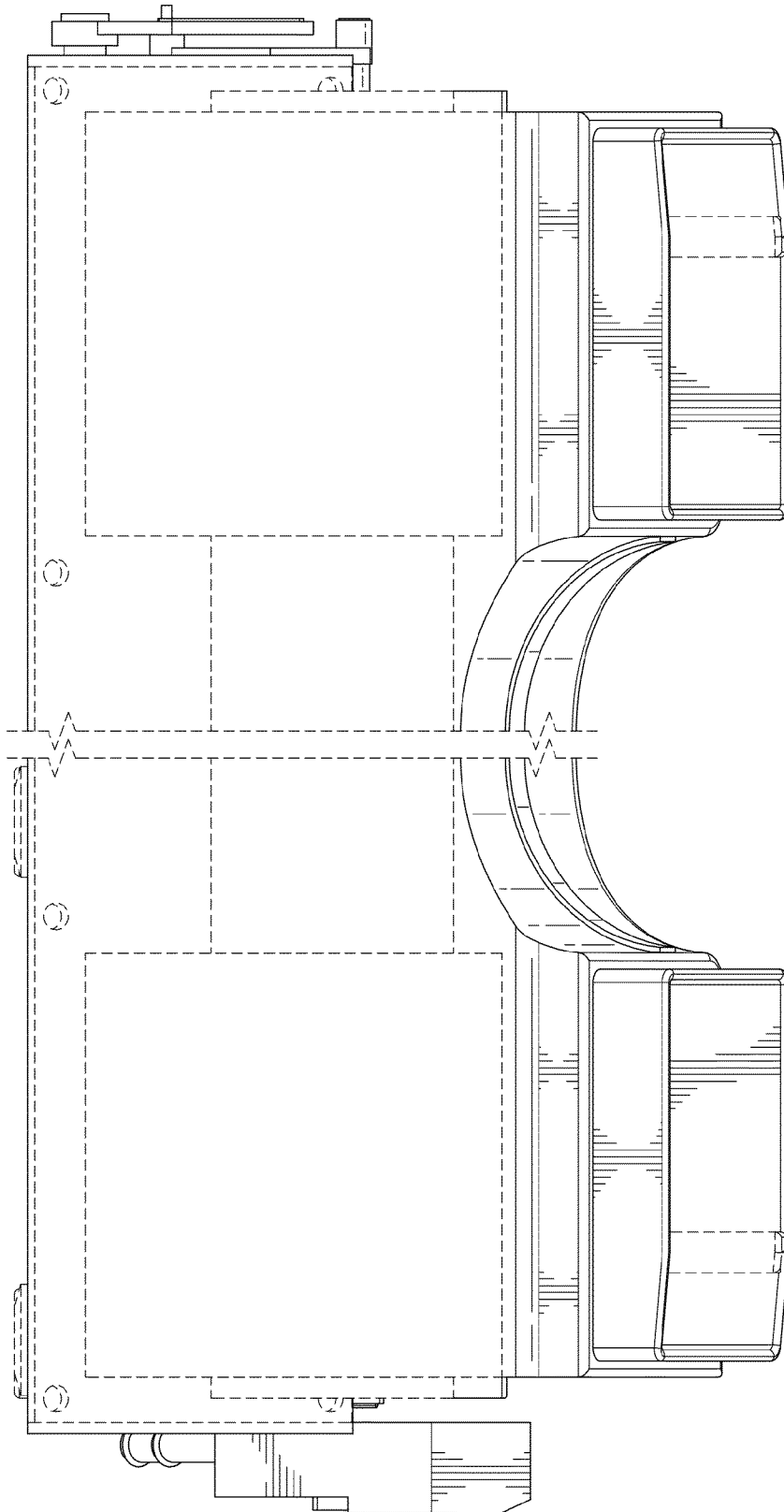


FIG. 14



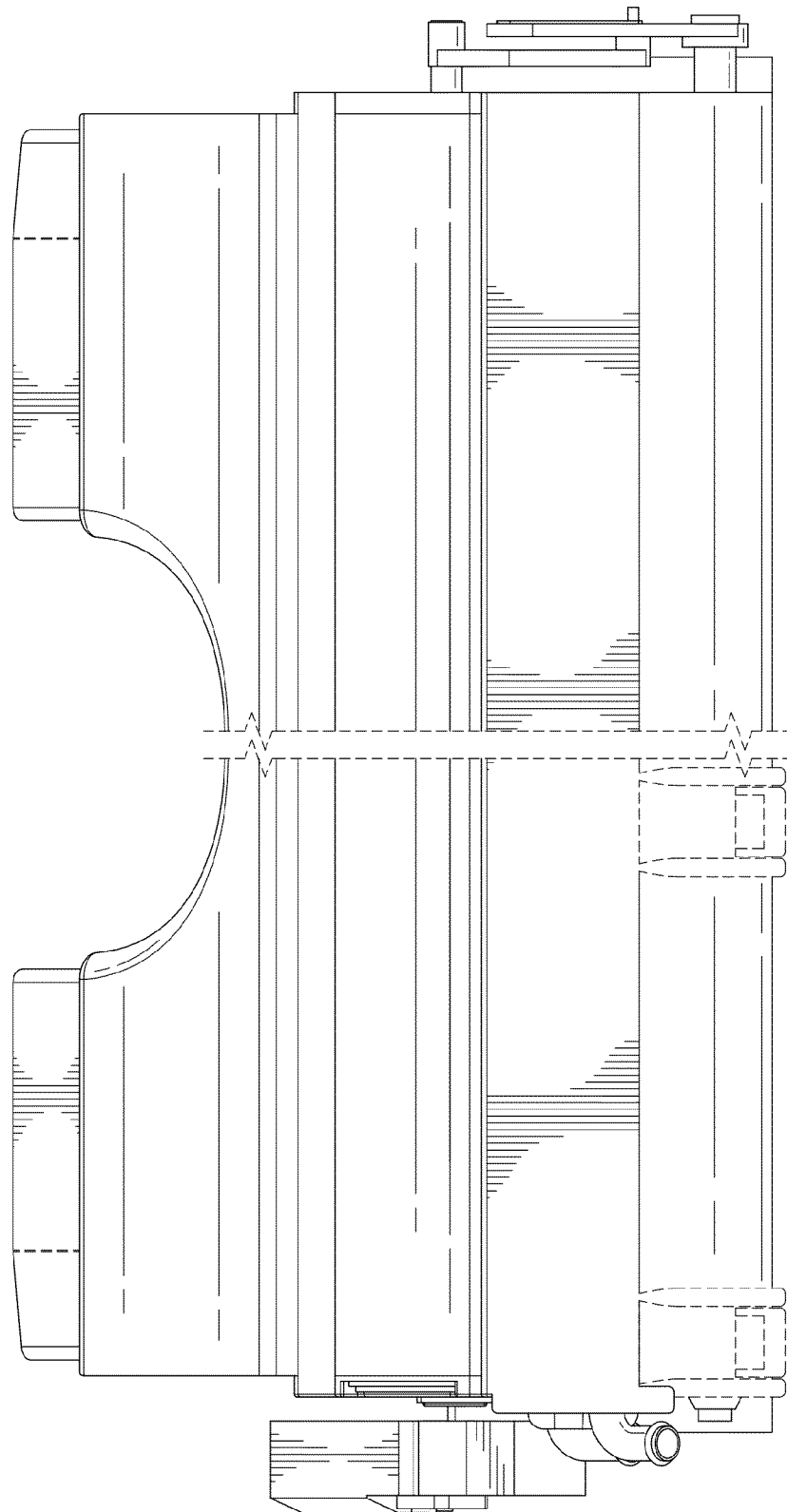


FIG. 15

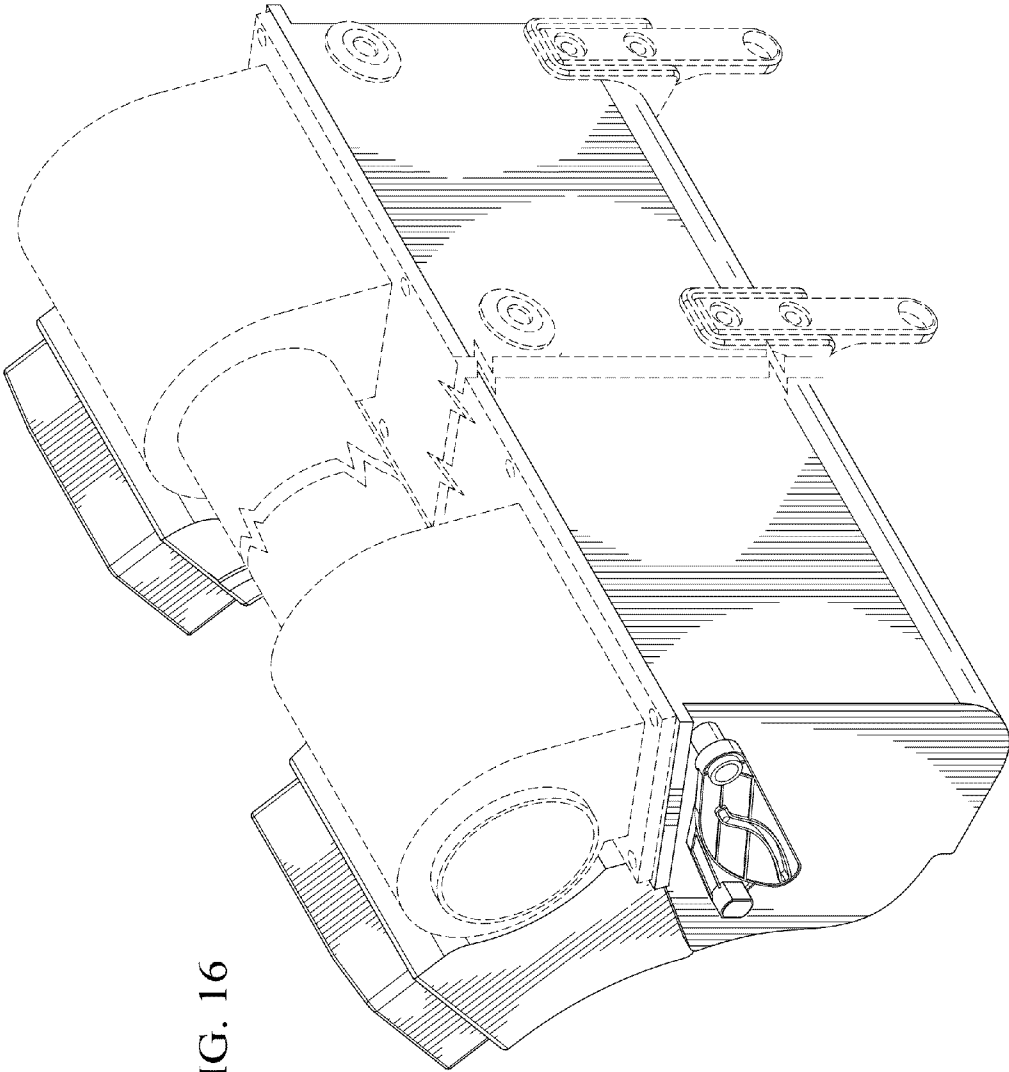


FIG. 16