



- (51) International Patent Classification:
A47J 31/06 (2006.01)
- (21) International Application Number:
PCT/EP2013/063943
- (22) International Filing Date:
2 July 2013 (02.07.2013)
- (25) Filing Language: English
- (26) Publication Language: English
- (30) Priority Data:

12175405.5	6 July 2012 (06.07.2012)	EP
12175406.3	6 July 2012 (06.07.2012)	EP
13160328.4	21 March 2013 (21.03.2013)	EP
13160324.3	21 March 2013 (21.03.2013)	EP
13160325.0	21 March 2013 (21.03.2013)	EP
13160326.8	21 March 2013 (21.03.2013)	EP
13160342.5	21 March 2013 (21.03.2013)	EP

DM, DO, DZ, EC, GA, GE, GN, GQ, GT, GW, HN, ID, JP, KG, KM, KP, KR, KZ, LA, LY, MA, MD, ME, MG, ML, MN, MR, MX, NE, NI, PA, PE, PH, RU, SN, ST, SV, SY, TD, TG, TH, TJ, TM, TN, UA, US, UZ, VN): **UNILEVER PLC** [GB/GB]; a company registered in England and Wales under company no. 41424 of Unilever House, 100 Victoria Embankment, London Greater London EC4Y 0DY (GB).

(71) Applicant (for all designated States except AE, AG, AU, BB, BH, BN, BZ, CA, EG, GD, IL, IN, KN, LC, LK, MY, NG, NZ, OM, PG, QA, SC, SG, TT, US, VC, ZA): **UNILEVER N.V.** [NL/NL]; Weena 455, NL-3013 AL Rotterdam (NL).

(71) Applicant (for US only): **CONOPCO, INC., D/B/A UNILEVER** [US/US]; 800 Sylvan Avenue, AG West, S. Wing, Englewood Cliffs, New Jersey 07632 (US).

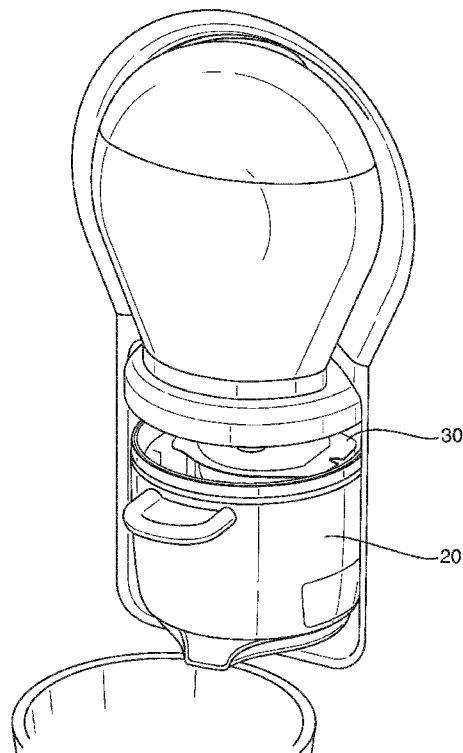
(72) Inventors: **CROSS, David, Murray**; PA Holdings Limited, PA Consulting Group, Cambridge Technology Centre, Melbourn Hertfordshire SG8 6PD (GB). **PATON, Michael**; PA Holdings Limited, PA Consulting Group, Cam-

(71) Applicant (for all designated States except AM, AO, AZ, BF, BJ, BR, BY, CF, CG, CI, CL, CM, CN, CO, CR, CU,

[Continued on next page]

(54) Title: METHOD AND DEVICE FOR BREWING A BEVERAGE

Fig. 4



(57) Abstract: A method of preparing a beverage in a brewing device is provided, the device comprising an infusion chamber (10) with a bottom rim (12) which defines an opening; a capsule holder (20) for receiving a capsule (30), the capsule holder comprising a sidewall (24) having an upper rim (23), a filter (25) and an openable and closable passage (29) on the opposite side of the filter from the upper rim; the method comprising the steps of: inserting a capsule (30) containing infusible beverage material into the capsule holder (20); connecting the upper rim (23) of the capsule holder (20) to the bottom rim (12) of the infusion chamber (10); introducing liquid into the capsule (30) and releasing the beverage material from the capsule so that the liquid and beverage material mix and flow into the infusion chamber (10) so as to brew the beverage; and then after brewing has taken place, opening the passage (29) to allow the beverage to flow from the infusion chamber (10) through the filter (25) and out through the passage.

WO 2014/006049 A3



bridge Technology Centre, Melbourn Hertfordshire SG8 6PD (GB). **POPA, Cristian, Simion**; PA Holdings Limited, PA Consulting Group, Cambridge Technology Centre, Melbourn Hertfordshire SG8 6PD (GB). **SMITH, Alistair, David**; Unilever R&D Colworth, Sharnbrook, Bedford Bedfordshire MK44 1LQ (GB). **TOON, Daniel, Thomas**; PA Holdings Limited, PA Consulting Group, Cambridge Technology Centre, Melbourn Hertfordshire SG8 6PD (GB).

(74) **Agent: ASKEW, Sarah, E.**; Unilever PLC, Unilever Patent Group, Colworth House, Sharnbrook, Bedford Bedfordshire MK44 1LQ (GB).

(81) **Designated States** (unless otherwise indicated, for every kind of national protection available): AE, AG, AL, AM, AO, AT, AU, AZ, BA, BB, BG, BH, BN, BR, BW, BY, BZ, CA, CH, CL, CN, CO, CR, CU, CZ, DE, DK, DM, DO, DZ, EC, EE, EG, ES, FI, GB, GD, GE, GH, GM, GT, HN, HR, HU, ID, IL, IN, IS, JP, KE, KG, KN, KP, KR, KZ, LA, LC, LK, LR, LS, LT, LU, LY, MA, MD, ME, MG, MK, MN, MW, MX, MY, MZ, NA, NG, NI, NO, NZ, OM, PA, PE, PG, PH, PL, PT, QA, RO, RS, RU, RW, SC, SD, SE, SG, SK, SL, SM, ST, SV, SY, TH, TJ, TM, TN, TR, TT, TZ, UA, UG, US, UZ, VC, VN, ZA, ZM, ZW.

(84) **Designated States** (unless otherwise indicated, for every kind of regional protection available): ARIPO (BW, GH, GM, KE, LR, LS, MW, MZ, NA, RW, SD, SL, SZ, TZ, UG, ZM, ZW), Eurasian (AM, AZ, BY, KG, KZ, RU, TJ, TM), European (AL, AT, BE, BG, CH, CY, CZ, DE, DK, EE, ES, FI, FR, GB, GR, HR, HU, IE, IS, IT, LT, LU, LV, MC, MK, MT, NL, NO, PL, PT, RO, RS, SE, SI, SK, SM, TR), OAPI (BF, BJ, CF, CG, CI, CM, GA, GN, GQ, GW, KM, ML, MR, NE, SN, TD, TG).

Declarations under Rule 4.17:

- as to applicant's entitlement to apply for and be granted a patent (Rule 4.17(ii))
- as to the applicant's entitlement to claim the priority of the earlier application (Rule 4.17(iii))

Published:

- with international search report (Art. 21(3))
- before the expiration of the time limit for amending the claims and to be republished in the event of receipt of amendments (Rule 48.2(h))

(88) **Date of publication of the international search report:**

3 April 2014

INTERNATIONAL SEARCH REPORT

International application No
PCT/EP2013/063943A. CLASSIFICATION OF SUBJECT MATTER
INV. A47J31/06
ADD.

According to International Patent Classification (IPC) or to both national classification and IPC

B. FIELDS SEARCHED

Minimum documentation searched (classification system followed by classification symbols)
A47J

Documentation searched other than minimum documentation to the extent that such documents are included in the fields searched

Electronic data base consulted during the international search (name of data base and, where practicable, search terms used)

EPO-Internal, WPI Data

C. DOCUMENTS CONSIDERED TO BE RELEVANT

Category*	Citation of document, with indication, where appropriate, of the relevant passages	Relevant to claim No.
A	WO 2007/042485 A1 (CENSE D ALMEZ S A [BE]; VAN BELLEGHEM LUC [BE]) 19 April 2007 (2007-04-19) cited in the application the whole document -----	1-15
A	WO 2009/130311 A1 (CENZE D ALMEZ S A [BE]; VAN BELLEGHEM LUC [BE]; VAN STENIS JACCO [BE];) 29 October 2009 (2009-10-29) the whole document -----	1-15
A	EP 1 658 796 A2 (H A P GROUP [NL] PRESS UNIQUE B V [NL]) 24 May 2006 (2006-05-24) the whole document -----	1-15
A	US 5 813 317 A (CHANG KENG-HAO [TW]) 29 September 1998 (1998-09-29) the whole document -----	1-15



Further documents are listed in the continuation of Box C.



See patent family annex.

* Special categories of cited documents :

"A" document defining the general state of the art which is not considered to be of particular relevance

"E" earlier application or patent but published on or after the international filing date

"L" document which may throw doubts on priority claim(s) or which is cited to establish the publication date of another citation or other special reason (as specified)

"O" document referring to an oral disclosure, use, exhibition or other means

"P" document published prior to the international filing date but later than the priority date claimed

"T" later document published after the international filing date or priority date and not in conflict with the application but cited to understand the principle or theory underlying the invention

"X" document of particular relevance; the claimed invention cannot be considered novel or cannot be considered to involve an inventive step when the document is taken alone

"Y" document of particular relevance; the claimed invention cannot be considered to involve an inventive step when the document is combined with one or more other such documents, such combination being obvious to a person skilled in the art

"&" document member of the same patent family

Date of the actual completion of the international search

23 January 2014

Date of mailing of the international search report

07/02/2014

Name and mailing address of the ISA/

European Patent Office, P.B. 5818 Patentlaan 2
NL - 2280 HV Rijswijk
Tel. (+31-70) 340-2040,
Fax: (+31-70) 340-3016

Authorized officer

Schnitzhofer, Markus

INTERNATIONAL SEARCH REPORT

Information on patent family members

International application No

PCT/EP2013/063943

Patent document cited in search report	Publication date	Patent family member(s)	Publication date	
WO 2007042485	A1	19-04-2007	CA 2624932 A1	19-04-2007
			CN 101316534 A	03-12-2008
			DK 1937118 T3	24-09-2012
			EP 1772081 A1	11-04-2007
			EP 1937118 A1	02-07-2008
			ES 2389855 T3	02-11-2012
			JP 5054014 B2	24-10-2012
			JP 2009511099 A	19-03-2009
			RU 2011114938 A	20-10-2012
			US 2008250935 A1	16-10-2008
			WO 2007042485 A1	19-04-2007

WO 2009130311	A1	29-10-2009	CA 2725362 A1	29-10-2009
			CN 102066212 A	18-05-2011
			EP 2300335 A1	30-03-2011
			ES 2426930 T3	25-10-2013
			JP 5341174 B2	13-11-2013
			JP 2011522567 A	04-08-2011
			RU 2010147821 A	27-05-2012
			US 2011189350 A1	04-08-2011
			WO 2009130311 A1	29-10-2009
			WO 2009130312 A1	29-10-2009

EP 1658796	A2	24-05-2006	EP 1658796 A2	24-05-2006
			EP 1987749 A2	05-11-2008

US 5813317	A	29-09-1998	NONE	
