



(51) International Patent Classification:
A61M 1/00 (2006.01)

(21) International Application Number:
PCT/US2009/068138

(22) International Filing Date:
16 December 2009 (16.12.2009)

(25) Filing Language: English

(26) Publication Language: English

(30) Priority Data:
12/336,803 17 December 2008 (17.12.2008) US

(71) Applicant (for all designated States except US):
BAUSCH & LOMB INCORPORATED [US/US]; One
Bausch & Lomb Place, Rochester, NY 14604-2701 (US).

(72) Inventor; and

(75) Inventor/Applicant (for US only): **GOH, Toh, Seng**
[MY/US]; 612 Lon Hill Court, Ballwin, MO 63011 (US).

(74) Agents: **POWERS, Jeffrey, B.** et al.; Bausch & Lomb
Incorporated, One Bausch & Lomb Incorporated,
Rochester, NY 14604-2701 (US).

(81) Designated States (unless otherwise indicated, for every
kind of national protection available): AE, AG, AL, AM,
AO, AT, AU, AZ, BA, BB, BG, BH, BR, BW, BY, BZ,
CA, CH, CL, CN, CO, CR, CU, CZ, DE, DK, DM, DO,
DZ, EC, EE, EG, ES, FI, GB, GD, GE, GH, GM, GT,

HN, HR, HU, ID, IL, IN, IS, JP, KE, KG, KM, KN, KP,
KR, KZ, LA, LC, LK, LR, LS, LT, LU, LY, MA, MD,
ME, MG, MK, MN, MW, MX, MY, MZ, NA, NG, NI,
NO, NZ, OM, PE, PG, PH, PL, PT, RO, RS, RU, SC, SD,
SE, SG, SK, SL, SM, ST, SV, SY, TJ, TM, TN, TR, TT,
TZ, UA, UG, US, UZ, VC, VN, ZA, ZM, ZW.

(84) Designated States (unless otherwise indicated, for every
kind of regional protection available): ARIPO (BW, GH,
GM, KE, LS, MW, MZ, NA, SD, SL, SZ, TZ, UG, ZM,
ZW), Eurasian (AM, AZ, BY, KG, KZ, MD, RU, TJ,
TM), European (AT, BE, BG, CH, CY, CZ, DE, DK, EE,
ES, FI, FR, GB, GR, HR, HU, IE, IS, IT, LT, LU, LV,
MC, MK, MT, NL, NO, PL, PT, RO, SE, SI, SK, SM,
TR), OAPI (BF, BJ, CF, CG, CI, CM, GA, GN, GQ, GW,
ML, MR, NE, SN, TD, TG).

Declarations under Rule 4.17:

— as to the identity of the inventor (Rule 4.17(i))

Published:

— with international search report (Art. 21(3))

— before the expiration of the time limit for amending the
claims and to be republished in the event of receipt of
amendments (Rule 48.2(h))

(88) Date of publication of the international search report:
4 November 2010

(54) Title: DUAL ASPIRATION LINE FLUIDIC CASSETTE

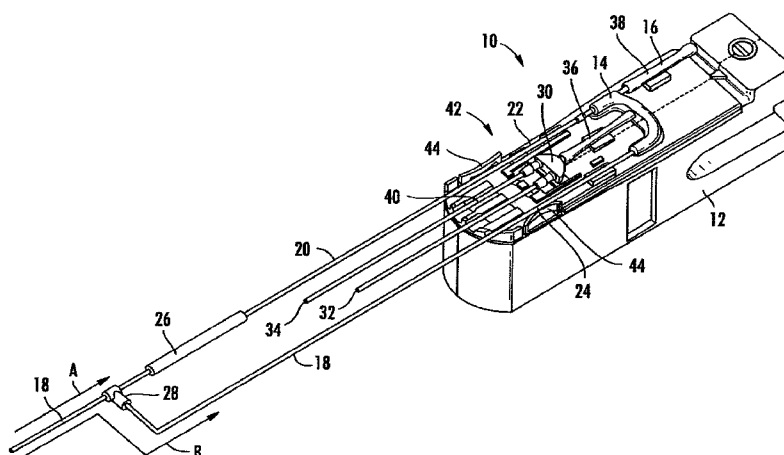


FIGURE 1

(57) Abstract: An ophthalmic surgical cassette (10) for collecting aspirant fluid and tissue during an ophthalmic surgical procedure. The ophthalmic surgical cassette includes a rigid walled container (12) having an interior volume for collecting aspirant fluid and tissue; and an aspiration manifold (14) coupled to the rigid walled container. The aspiration manifold is connected to an aspiration tube (16) in fluidic communication with the interior volume, a first aspiration line (18) for coupling a surgical handpiece, and a second aspiration (20) line, the second aspiration line being connected to the first aspiration line thereby defining two aspiration paths (A, B) between the surgical handpiece and the aspiration manifold. The first aspiration line has a first inner diameter, and the second aspiration line has a second inner diameter. The first inner diameter is greater than the second inner diameter such that one of the aspiration paths includes at least one flow characteristic different from the other of the aspiration paths.



INTERNATIONAL SEARCH REPORT

International application No
PCT/US2009/068138A. CLASSIFICATION OF SUBJECT MATTER
INV. A61M1/00
ADD.

According to International Patent Classification (IPC) or to both national classification and IPC

B. FIELDS SEARCHED

Minimum documentation searched (classification system followed by classification symbols)
A61M

Documentation searched other than minimum documentation to the extent that such documents are included in the fields searched

Electronic data base consulted during the international search (name of data base and, where practical, search terms used)

EPO-Internal

C. DOCUMENTS CONSIDERED TO BE RELEVANT

Category*	Citation of document, with indication, where appropriate, of the relevant passages	Relevant to claim No.
A	WO 2007/143677 A2 (BAUSCH & LOMB [US]; WALTER JONATHAN T [US]; ASKEW MIKE [US]) 13 December 2007 (2007-12-13) cited in the application the whole document	1-8
A	WO 01/70152 A1 (BARRETT GRAHAM DAVID [AU]) 27 September 2001 (2001-09-27) page 6, line 13 - line 29; figure 2	1-8
A	US 2004/253129 A1 (SORENSEN GARY P [US] ET AL) 16 December 2004 (2004-12-16) paragraph [0010]; figure 1	1-8
X,P	US 2008/312594 A1 (URICH ALEX [US] ET AL) 18 December 2008 (2008-12-18) paragraph [0007] - paragraph [0008] paragraph [0021] - paragraph [0025] figures 1-3	1-8

 Further documents are listed in the continuation of Box C. See patent family annex.

* Special categories of cited documents :

"A" document defining the general state of the art which is not considered to be of particular relevance

"E" earlier document but published on or after the international filing date

"L" document which may throw doubts on priority claim(s) or which is cited to establish the publication date of another citation or other special reason (as specified)

"O" document referring to an oral disclosure, use, exhibition or other means

"P" document published prior to the international filing date but later than the priority date claimed

"T" later document published after the international filing date or priority date and not in conflict with the application but cited to understand the principle or theory underlying the invention

"X" document of particular relevance; the claimed invention cannot be considered novel or cannot be considered to involve an inventive step when the document is taken alone

"Y" document of particular relevance; the claimed invention cannot be considered to involve an inventive step when the document is combined with one or more other such documents, such combination being obvious to a person skilled in the art.

"&" document member of the same patent family

Date of the actual completion of the international search

9 September 2010

Date of mailing of the international search report

17/09/2010

Name and mailing address of the ISA/

European Patent Office, P.B. 5818 Patentlaan 2
NL - 2280 HV Rijswijk
Tel. (+31-70) 340-2040,
Fax: (+31-70) 340-3016

Authorized officer

Louarn, Arzhur

INTERNATIONAL SEARCH REPORT

Information on patent family members

International application No PCT/US2009/068138

Patent document cited in search report	Publication date	Patent family member(s)	Publication date
WO 2007143677 A2	13-12-2007	AU 2007256690 A1 CA 2652070 A1 EP 2032185 A2 JP 2009539563 T KR 20090016472 A US 2007287959 A1	13-12-2007 13-12-2007 11-03-2009 19-11-2009 13-02-2009 13-12-2007
WO 0170152 A1	27-09-2001	US 2003078591 A1	24-04-2003
US 2004253129 A1	16-12-2004	NONE	
US 2008312594 A1	18-12-2008	WO 2008156996 A1	24-12-2008