



- (51) **International Patent Classification:**
H04W 76/06 (2009.01) *H04W 80/06* (2009.01)
H04W 76/04 (2009.01)
- (21) **International Application Number:**
PCT/SE20 12/05 1065
- (22) **International Filing Date:**
5 October 2012 (05.10.2012)
- (25) **Filing Language:** English
- (26) **Publication Language:** English
- (30) **Priority Data:**
61/543,500 5 October 2011 (05.10.2011) US
- (71) **Applicant:** TELEFONAKTIEBOLAGET L M ERICSSON (PUBL) [SE/SE]; S-164 83 Stockholm (SE).
- (72) **Inventors:** KARLSEN, Johnny; Blixtvagen 48, S-177 70 Jarfalla (SE). WILLARS, Per; Stenvagen 6, S-185 94 Vaxholm (SE).
- (74) **Agent:** SJÖBERG, Mats; Ericsson AB, Patent Unit Kista, RAN Implementation & Core (PU-KRIC), S-164 80 Stockholm (SE).
- (81) **Designated States** (unless otherwise indicated, for every kind of national protection available): AE, AG, AL, AM, AO, AT, AU, AZ, BA, BB, BG, BH, BN, BR, BW, BY,

BZ, CA, CH, CL, CN, CO, CR, CU, CZ, DE, DK, DM, DO, DZ, EC, EE, EG, ES, FI, GB, GD, GE, GH, GM, GT, HN, HR, HU, ID, IL, IN, IS, JP, KE, KG, KM, KN, KP, KR, KZ, LA, LC, LK, LR, LS, LT, LU, LY, MA, MD, ME, MG, MK, MN, MW, MX, MY, MZ, NA, NG, NI, NO, NZ, OM, PA, PE, PG, PH, PL, PT, QA, RO, RS, RU, RW, SC, SD, SE, SG, SK, SL, SM, ST, SV, SY, TH, TJ, TM, TN, TR, TT, TZ, UA, UG, US, UZ, VC, VN, ZA, ZM, ZW.

- (84) **Designated States** (unless otherwise indicated, for every kind of regional protection available): ARIPO (BW, GH, GM, KE, LR, LS, MW, MZ, NA, RW, SD, SL, SZ, TZ, UG, ZM, ZW), Eurasian (AM, AZ, BY, KG, KZ, RU, TJ, TM), European (AL, AT, BE, BG, CH, CY, CZ, DE, DK, EE, ES, FI, FR, GB, GR, HR, HU, IE, IS, IT, LT, LU, LV, MC, MK, MT, NL, NO, PL, PT, RO, RS, SE, SI, SK, SM, TR), OAPI (BF, BJ, CF, CG, CI, CM, GA, GN, GQ, GW, ML, MR, NE, SN, TD, TG).

Published:

- with international search report (Art. 21(3))
- before the expiration of the time limit for amending the claims and to be republished in the event of receipt of amendments (Rule 48.2(h))

- (88) **Date of publication of the international search report:**
27 June 2013

(54) **Title:** RADIO EFFICIENT TCP RELEASE

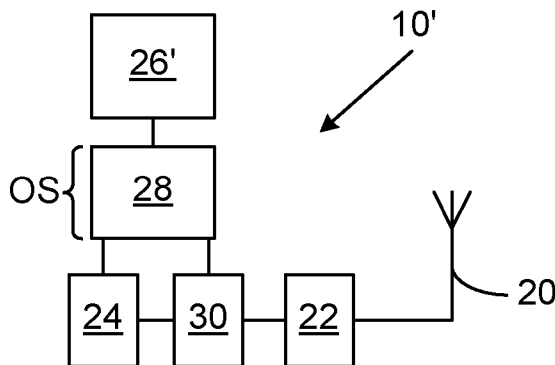


Fig. 3

(57) **Abstract:** A radio communication handling device handling communication for an application running in a mobile station (10) and communicating with an application server via a mobile communication network comprises a radio resource determination unit (24) that determines a state transition for the radio resources between the mobile station and the mobile communication network from a first current state to a second state, where the first state involves communication with a higher bandwidth than the second state, and informs, prior to the transition, at least one application communication control unit (28) about the transition in order to allow the application communication control unit to release unused application communication connections before the transition. The application communication control unit (26) receives the information about the following state transition and determines whether to release an application communication connection or not based on the information.



INTERNATIONAL SEARCH REPORT

International application No.
PCT/SE201 2/051 065

A. CLASSIFICATION OF SUBJECT MATTER

IPC: see extra sheet

According to International Patent Classification (IPC) or to both national classification and IPC

B. FIELDS SEARCHED

Minimum documentation searched (classification system followed by classification symbols)

IPC: H04W

Documentation searched other than minimum documentation to the extent that such documents are included in the fields searched

SE, DK, FI, NO classes as above

Electronic data base consulted during the international search (name of data base and, where practicable, search terms used)

EPO-Internal, PAJ, WPI data, COMPENDEX, INSPEC

C. DOCUMENTS CONSIDERED TO BE RELEVANT

Category*	Citation of document, with indication, where appropriate, of the relevant passages	Relevant to claim No.
A	EP 0903905 A2 (TOSHIBA KK), 24 March 1999 (1999-03-24); abstract; Summary section --	1-39
A	EP 0903906 A2 (TOSHIBA KK), 24 March 1999 (1999-03-24); abstract; paragraph [0005]; claim 1 --	1-39
A	GB 2351874 A (NEC CORP), 10 January 2001 (2001-01-10); abstract --	1-39
A	WO 20081 15 108 A 1 (ERICSSON TELEFON AB L M ET AL), 25 September 2008 (2008-09-25); abstract -- -----	1-39

Further documents are listed in the continuation of Box C.

See patent family annex.

* Special categories of cited documents:

"A" document defining the general state of the art which is not considered to be of particular relevance

"E" earlier application or patent but published on or after the international filing date

"L" document which may throw doubts on priority claim(s) or which is cited to establish the publication date of another citation or other special reason (as specified)

"O" document referring to an oral disclosure, use, exhibition or other means

"P" document published prior to the international filing date but later than the priority date claimed

"T" later document published after the international filing date or priority date and not in conflict with the application but cited to understand the principle or theory underlying the invention

"X" document of particular relevance; the claimed invention cannot be considered novel or cannot be considered to involve an inventive step when the document is taken alone

"Y" document of particular relevance; the claimed invention cannot be considered to involve an inventive step when the document is combined with one or more other such documents, such combination being obvious to a person skilled in the art

"&" document member of the same patent family

Date of the actual completion of the international search

06-05-201 3

Date of mailing of the international search report

06-05-201 3

Name and mailing address of the ISA/SE

Patent- och registreringsverket
Box 5055
S-102 42 STOCKHOLM
Facsimile No. + 46 8 666 02 86

Authorized officer

Ralf Bostrom

Telephone No. + 46 8 782 25 00

Continuation of: second sheet

International Patent Classification (IPC)

H04W 76/06 (2009.01)

H04W 76/04 (2009.01)

H04W 80/06 (2009.01)

INTERNATIONAL SEARCH REPORT

Information on patent family members

International application No.

PCT/SE201 2/051 065

EP	0903905	A2	24/03/1 999	DE	6983751 3	D 1	24/05/2007
				JP	11163947	A	18/06/1999
				US	62721 48	B 1	07/08/2001
EP	0903906	A2	24/03/1 999	DE	6983361 5	T2	10/08/2006
				JP	3949288	B2	25/07/2007
				JP	11163946	A	18/06/1999
				US	64181 28	B 1	09/07/2002
				US	200201 86680	A 1	12/1 2/2002
				US	72691 48	B2	11/09/2007
GB	2351 874	A	10/01/2001	JP	20003241 64	A	24/1 1/2000
				US	6751 234	B 1	15/06/2004
WO	20081 15 108	A 1	25/09/2008	NONE			