

(19) World Intellectual Property
Organization
International Bureau



(43) International Publication Date
6 January 2005 (06.01.2005)

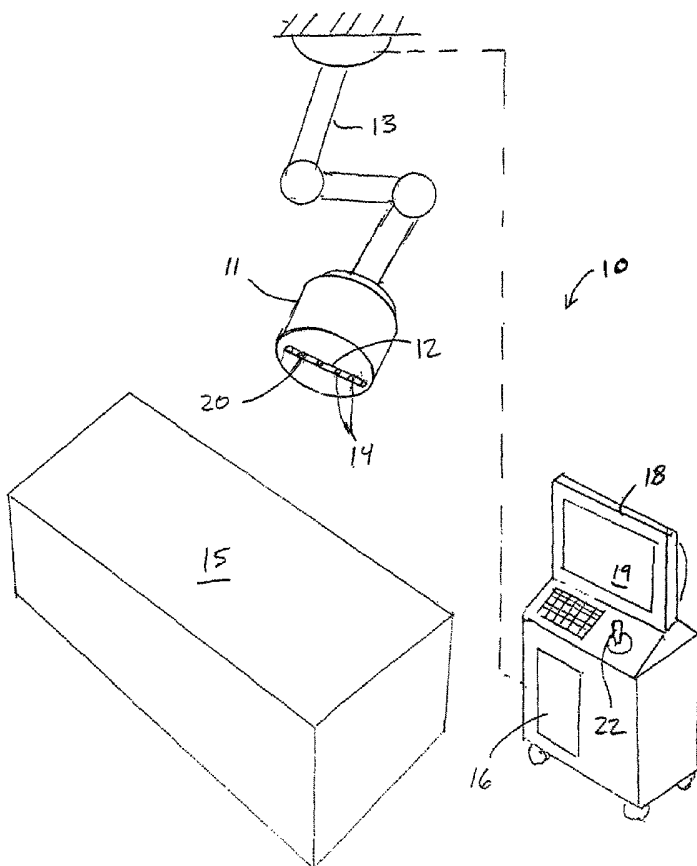
PCT

(10) International Publication Number
WO 2005/000097 A3

- (51) International Patent Classification⁷: **A61B 18/18** S. [US/US]; 3180 Woodside Road, Woodside, CA 94062 (US).
- (21) International Application Number: PCT/US2004/018452 (74) Agent: **HEISEY, David, E.**; Luce, Forward, Hamilton & Scripps LLP, 11988 El Camino Real, Suite 200, San Diego, CA 92130 (US).
- (22) International Filing Date: 9 June 2004 (09.06.2004)
- (25) Filing Language: English (81) Designated States (unless otherwise indicated, for every kind of national protection available): AE, AG, AL, AM, AT, AU, AZ, BA, BB, BG, BR, BW, BY, BZ, CA, CH, CN, CO, CR, CU, CZ, DE, DK, DM, DZ, EC, EE, EG, ES, FI, GB, GD, GE, GH, GM, HR, HU, ID, IL, IN, IS, JP, KE, KG, KP, KR, KZ, LC, LK, LR, LS, LT, LU, LV, MA, MD, MG, MK, MN, MW, MX, MZ, NA, NI, NO, NZ, OM, PG, PH, PL, PT, RO, RU, SC, SD, SE, SG, SK, SL, SY, TJ, TM, TN, TR, TT, TZ, UA, UG, US, UZ, VC, VN, YU, ZA, ZM, ZW.
- (26) Publication Language: English
- (30) Priority Data: 60/477,532 10 June 2003 (10.06.2003) US (84) Designated States (unless otherwise indicated, for every kind of regional protection available): ARIPO (BW, GH, GM, KE, LS, MW, MZ, NA, SD, SL, SZ, TZ, UG, ZM,
- (71) Applicant (for all designated States except US): **THE FOUNDRY, INC.** [US/US]; 199 Jefferson Drive, Menlo Park, CA 94025 (US).
- (72) Inventor; and
- (75) Inventor/Applicant (for US only): **GIFFORD, Hanson,**

[Continued on next page]

(54) Title: METHODS AND APPARATUS FOR NON-INVASIVELY TREATING ATRIAL FIBRILLATION USING HIGH INTENSITY FOCUSED ULTRASOUND



(57) Abstract: Methods and apparatus are provided that enable a physician to image tissue within the body that is to be ablated, and then to ablate that tissue using a device having an ultrasound imaging system and an aligned high intensity focused ultrasound system.

WO 2005/000097 A3



ZW), Eurasian (AM, AZ, BY, KG, KZ, MD, RU, TJ, TM), European (AT, BE, BG, CH, CY, CZ, DE, DK, EE, ES, FI, FR, GB, GR, HU, IE, IT, LU, MC, NL, PL, PT, RO, SE, SI, SK, TR), OAPI (BF, BJ, CF, CG, CI, CM, GA, GN, GQ, GW, ML, MR, NE, SN, TD, TG).

(88) Date of publication of the international search report:
19 May 2005

For two-letter codes and other abbreviations, refer to the "Guidance Notes on Codes and Abbreviations" appearing at the beginning of each regular issue of the PCT Gazette.

Published:

- *with international search report*
- *before the expiration of the time limit for amending the claims and to be republished in the event of receipt of amendments*

INTERNATIONAL SEARCH REPORT

International application No.

PCT/US04/18452

A. CLASSIFICATION OF SUBJECT MATTER
 IPC(7) : A 61B 18/18
 US CL : 606/27
 According to International Patent Classification (IPC) or to both national classification and IPC

B. FIELDS SEARCHED
 Minimum documentation searched (classification system followed by classification symbols)
 U.S. : 606/27, 28, 29, 30; 607/96

Documentation searched other than minimum documentation to the extent that such documents are included in the fields searched

Electronic data base consulted during the international search (name of data base and, where practicable, search terms used)

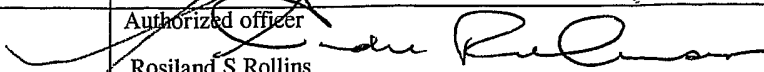
C. DOCUMENTS CONSIDERED TO BE RELEVANT

Category *	Citation of document, with indication, where appropriate, of the relevant passages	Relevant to claim No.
X	US 2003/0014093 A1 (Makin) 16 Jan. 2003, see entire document	1-22

Further documents are listed in the continuation of Box C. See patent family annex.

* Special categories of cited documents:	
"A" document defining the general state of the art which is not considered to be of particular relevance "E" earlier application or patent published on or after the international filing date "L" document which may throw doubts on priority claim(s) or which is cited to establish the publication date of another citation or other special reason (as specified) "O" document referring to an oral disclosure, use, exhibition or other means "P" document published prior to the international filing date but later than the priority date claimed	"T" later document published after the international filing date or priority date and not in conflict with the application but cited to understand the principle or theory underlying the invention "X" document of particular relevance; the claimed invention cannot be considered novel or cannot be considered to involve an inventive step when the document is taken alone "Y" document of particular relevance; the claimed invention cannot be considered to involve an inventive step when the document is combined with one or more other such documents, such combination being obvious to a person skilled in the art "&" document member of the same patent family

Date of the actual completion of the international search 07 November 2004 (07.11.2004)	Date of mailing of the international search report 29 MAR 2005
--	--

Name and mailing address of the ISA/US Mail Stop PCT, Attn: ISA/US Commissioner for Patents P.O. Box 1450 Alexandria, Virginia 22313-1450 Facsimile No. (703) 305-3230	Authorized officer  Rosiland S Rollins Telephone No. 703/3080858
---	---