



US00D881707S

(12) **United States Design Patent**  
**Albertini**

(10) **Patent No.:** **US D881,707 S**

(45) **Date of Patent:** **\*\* Apr. 21, 2020**

- (54) **BOTTLE**
- (71) Applicant: **GUERLAIN**, Paris (FR)
- (72) Inventor: **Carole Albertini**, Levallois-Perret (FR)
- (73) Assignee: **GUERLAIN**, Paris (FR)
- (\*\*) Term: **15 Years**
- (21) Appl. No.: **35/500,908**
- (22) Filed: **Apr. 14, 2016**
- (80) **Hague Agreement Data**  
 Int. Filing Date: **Apr. 14, 2016**  
 Int. Reg. No.: **DM/090290**  
 Int. Reg. Date: **Apr. 14, 2016**  
 Int. Reg. Pub. Date: **May 6, 2016**

D440,152 S *	4/2001	Legros .....	D9/632
D507,973 S *	8/2005	Biglarians .....	D9/504
D511,688 S *	11/2005	Baron .....	D9/560
D579,785 S *	11/2008	Rica .....	D9/544
D678,074 S *	3/2013	De France .....	D9/435
D682,704 S *	5/2013	Reynolds .....	D9/544
D691,484 S *	10/2013	Fitzgerald .....	D9/516
D692,770 S *	11/2013	Petronio .....	D9/452
D727,156 S *	4/2015	Lavigne .....	D9/516
D730,191 S *	5/2015	Hardy .....	D9/454
D734,164 S *	7/2015	Guichot .....	D9/682
D739,250 S *	9/2015	Rohit .....	D9/529
D741,720 S *	10/2015	Anandani .....	D9/560
D748,492 S *	2/2016	Hennessy .....	D9/445
D757,560 S *	5/2016	Venturini Fendi .....	D9/435
D777,581 S *	1/2017	Maier .....	D9/441

(Continued)

*Primary Examiner* — Melanie H Tung  
*Assistant Examiner* — Bao-Yen T Nguyen  
(74) *Attorney, Agent, or Firm* — Stephen J. Weyer, Esq.;  
Sütes & Harbison, PLLC

(30) **Foreign Application Priority Data**

Nov. 26, 2015 (EM) ..... 002877951-0001

- (51) **LOC (12) Cl.** ..... **09-01**
- (52) **U.S. Cl.**  
 USPC ..... **D9/559**

- (58) **Field of Classification Search**  
 USPC ..... D9/502, 504, 506, 519, 520, 522, 523,  
 D9/526, 529, 530, 549, 553, 556, 558,  
 D9/559, 560, 563, 564, 569, 571, 574,  
 D9/682, 686, 687, 689, 719  
 CPC ..... B65D 1/00; B65D 1/02; B65D 1/0223;  
 B65D 1/0261; B65D 1/40; B65D 1/42;  
 B65D 1/44; B65D 23/00; B65D 23/102;  
 B65D 81/00; B65D 2501/00; B65D  
 2501/0009; B65D 2501/0018; B65D  
 2501/0036  
 See application file for complete search history.

(56) **References Cited**

**U.S. PATENT DOCUMENTS**

D330,516 S *	10/1992	Cavazza .....	D9/571
D379,766 S *	6/1997	Schneider .....	D9/542

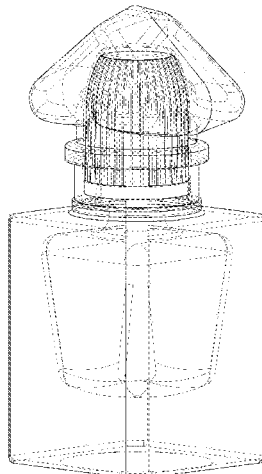
(57) **CLAIM**

The ornamental design of a bottle, as shown and described.

**DESCRIPTION**

- 1. Bottle
  - 1.1 : Perspective
  - 1.2 : Front
  - 1.3 : Back
  - 1.4 : Right
  - 1.5 : Left
  - 1.6 : Top
  - 1.7 : Bottom
  - 1.8 : Exploded Perspective view
  - 1.9 : Exploded front view
  - 1.10 : Exploded right view
- Elements drawn in broken lines are features of the bottle which form no part of the claimed design.

**1 Claim, 10 Drawing Sheets**



(56)

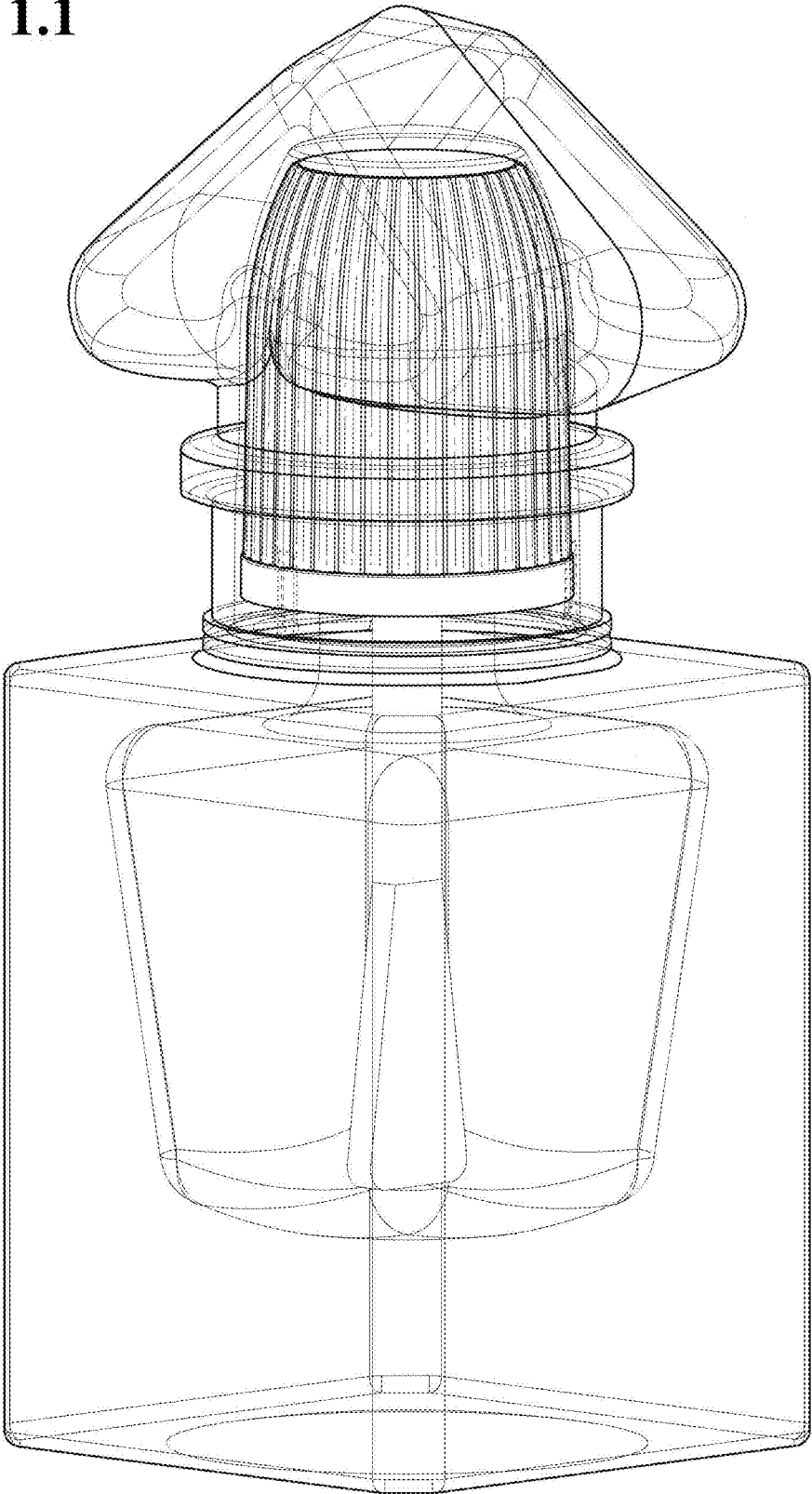
**References Cited**

U.S. PATENT DOCUMENTS

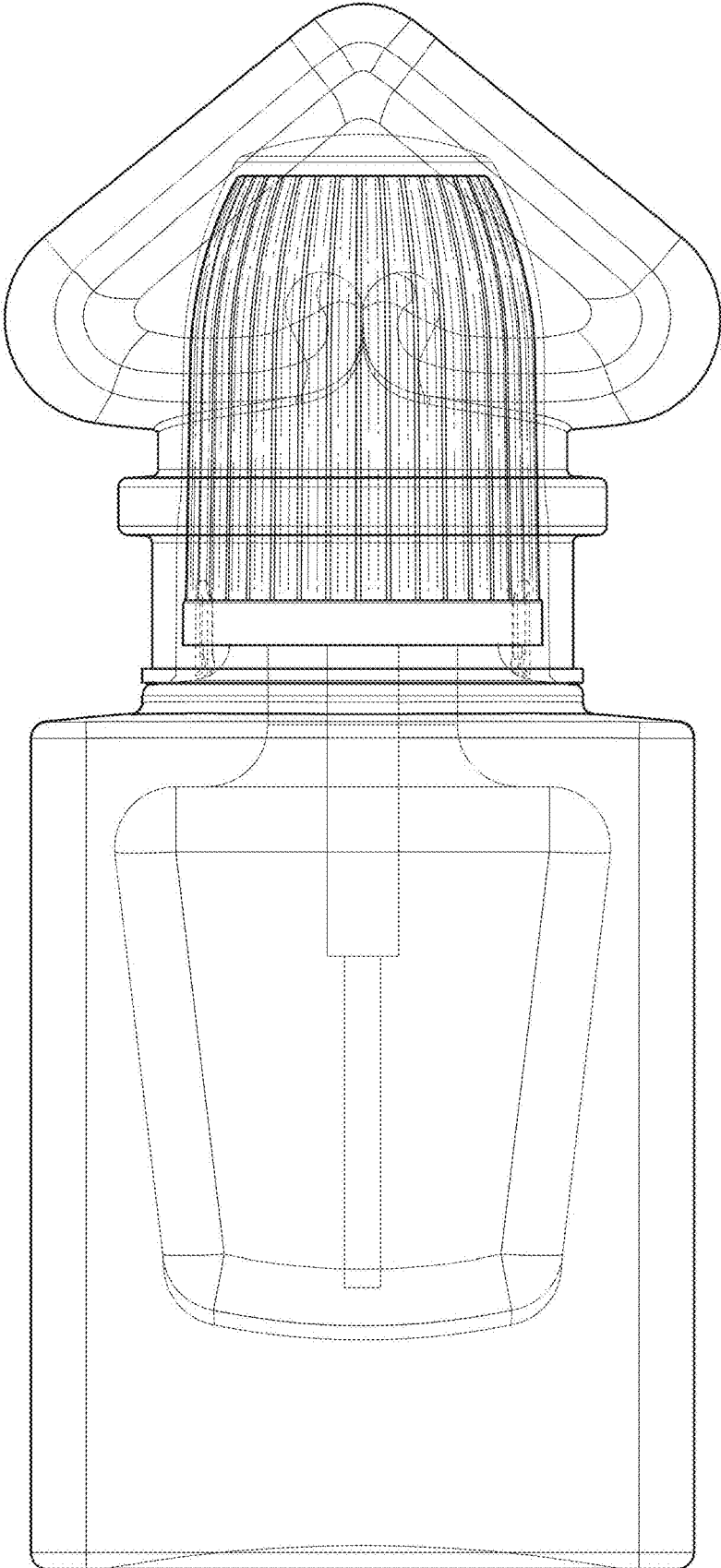
D779,964 S *	2/2017	Miller .....	D9/560
2012/0018440 A1 *	1/2012	Lane .....	B65D 1/0223
			220/669

\* cited by examiner

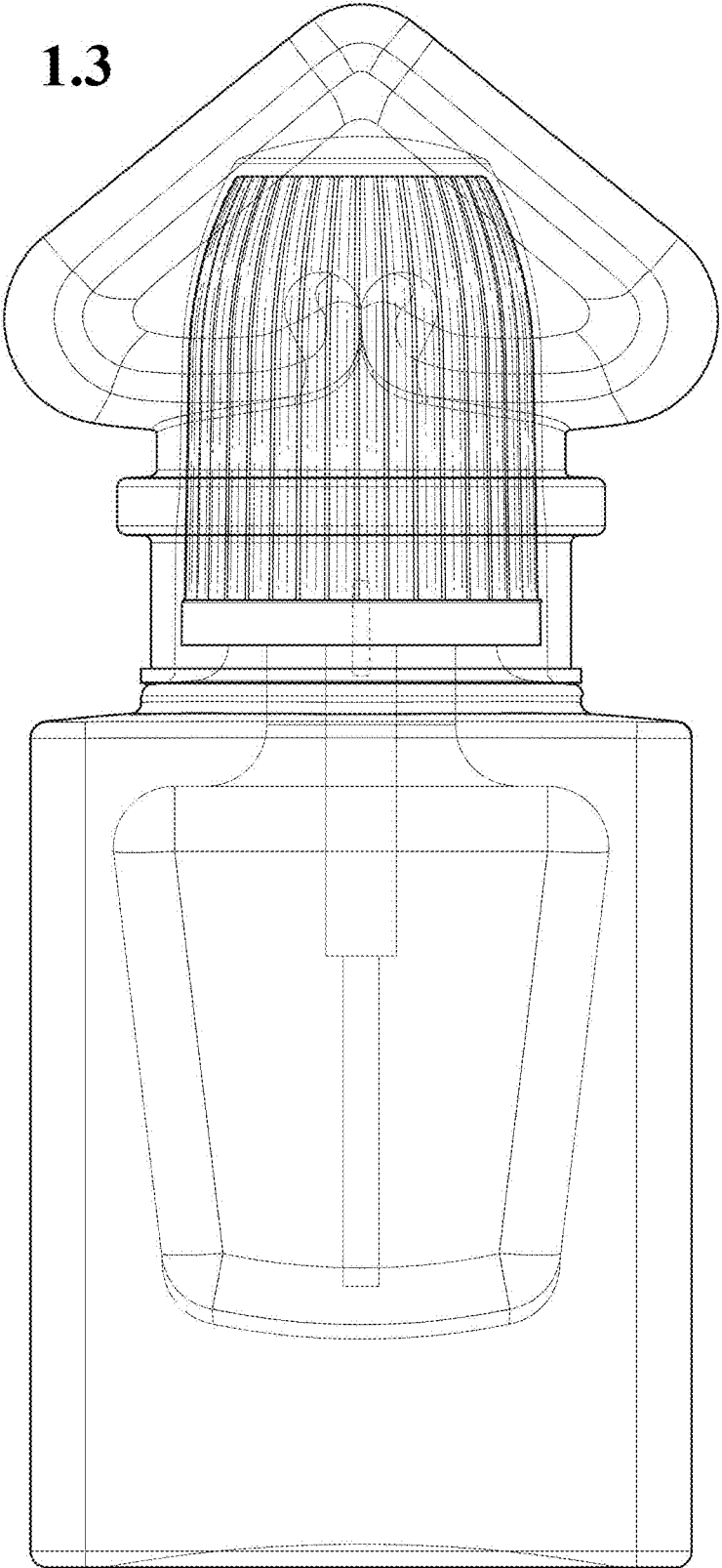
1.1

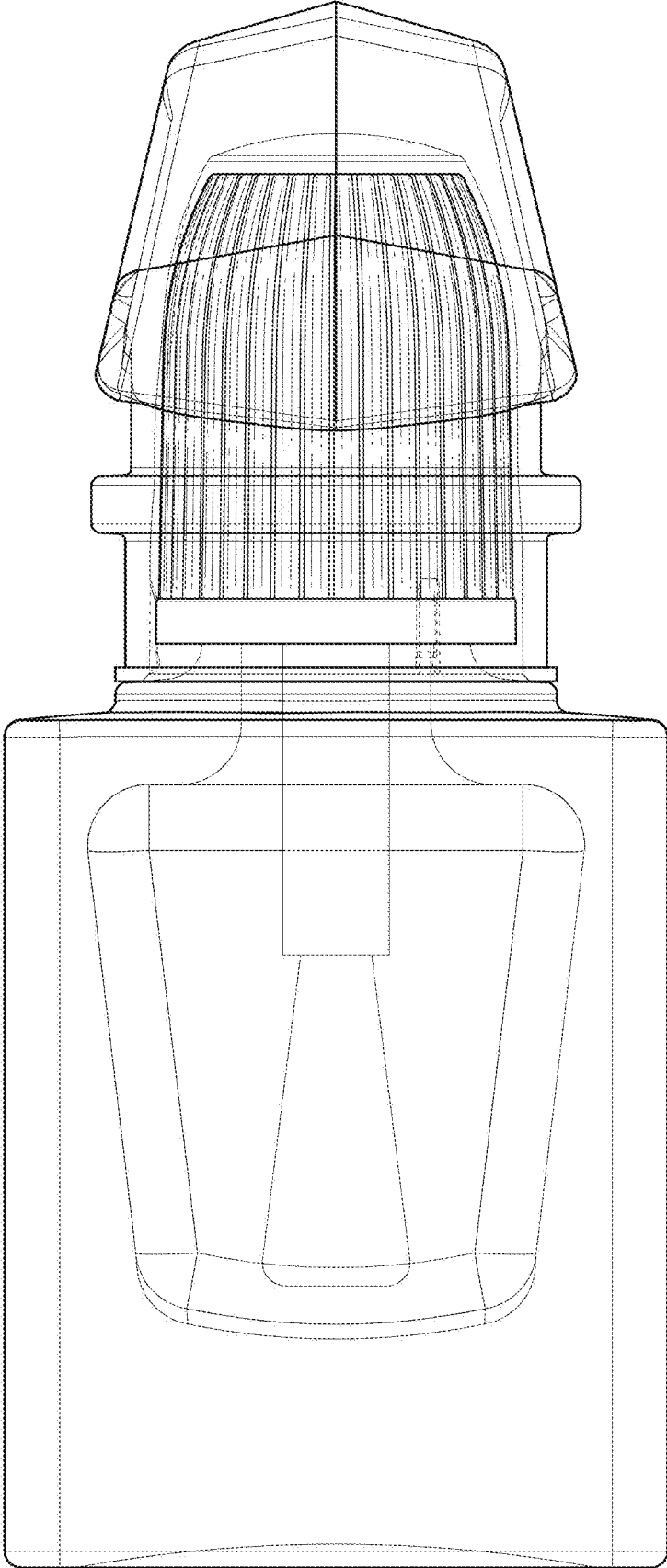


1.2

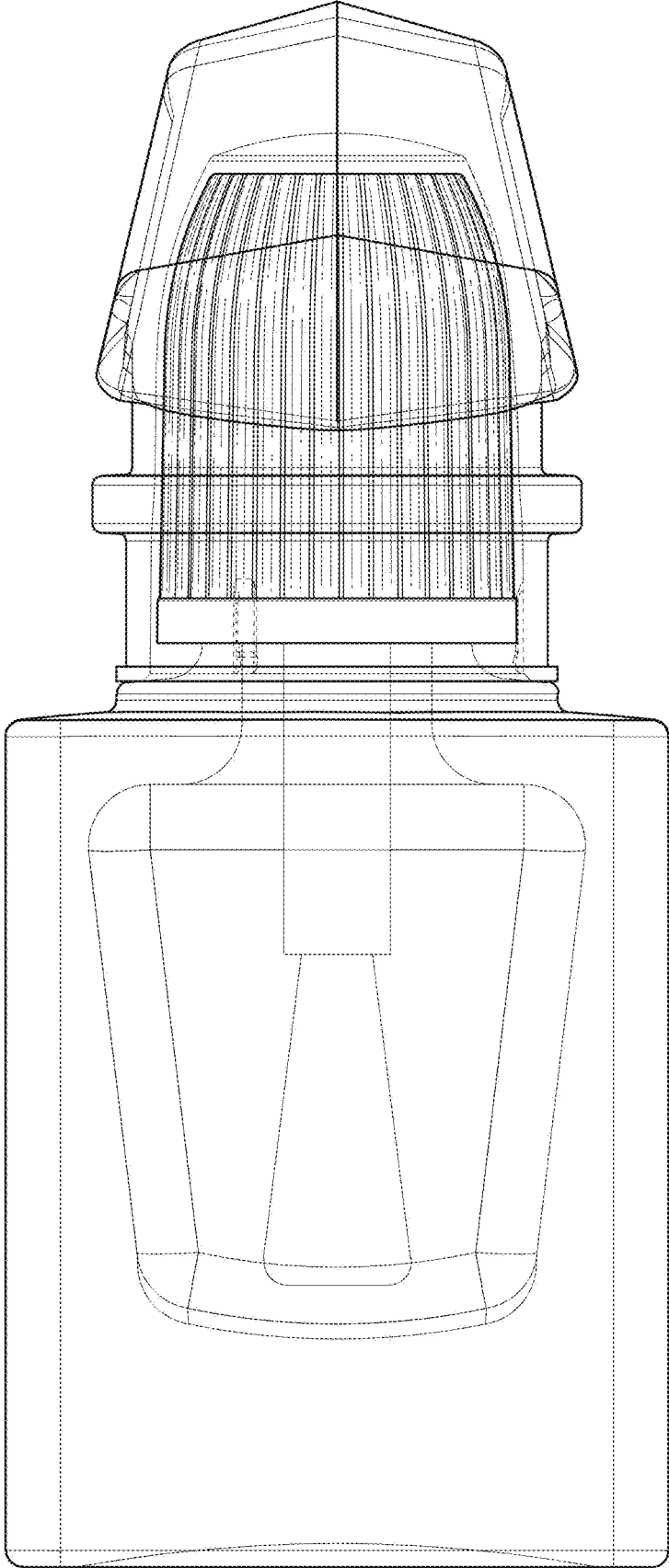


1.3



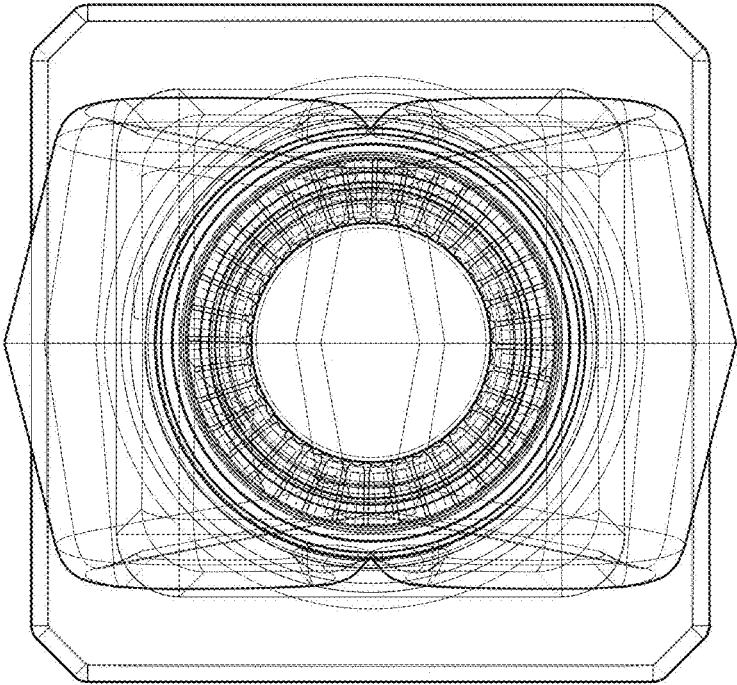


1.4



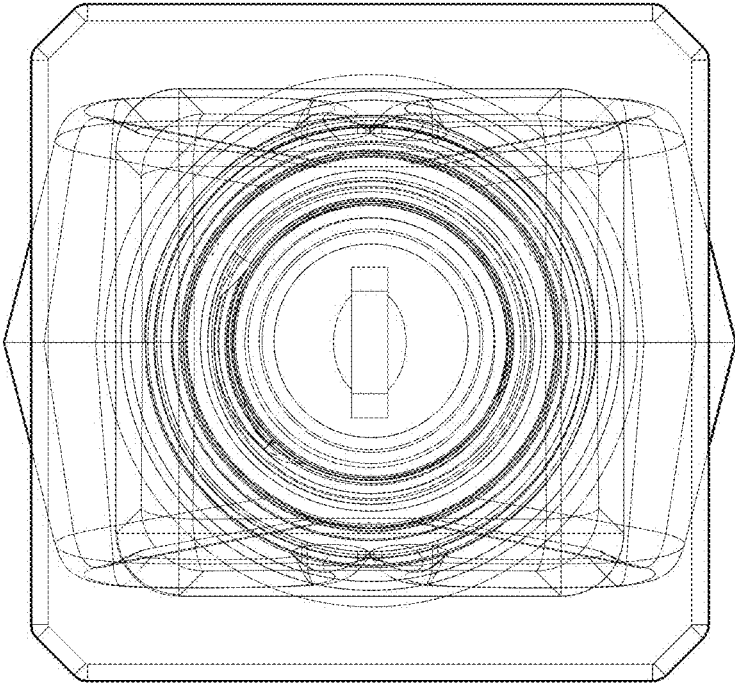
1.5

1.6

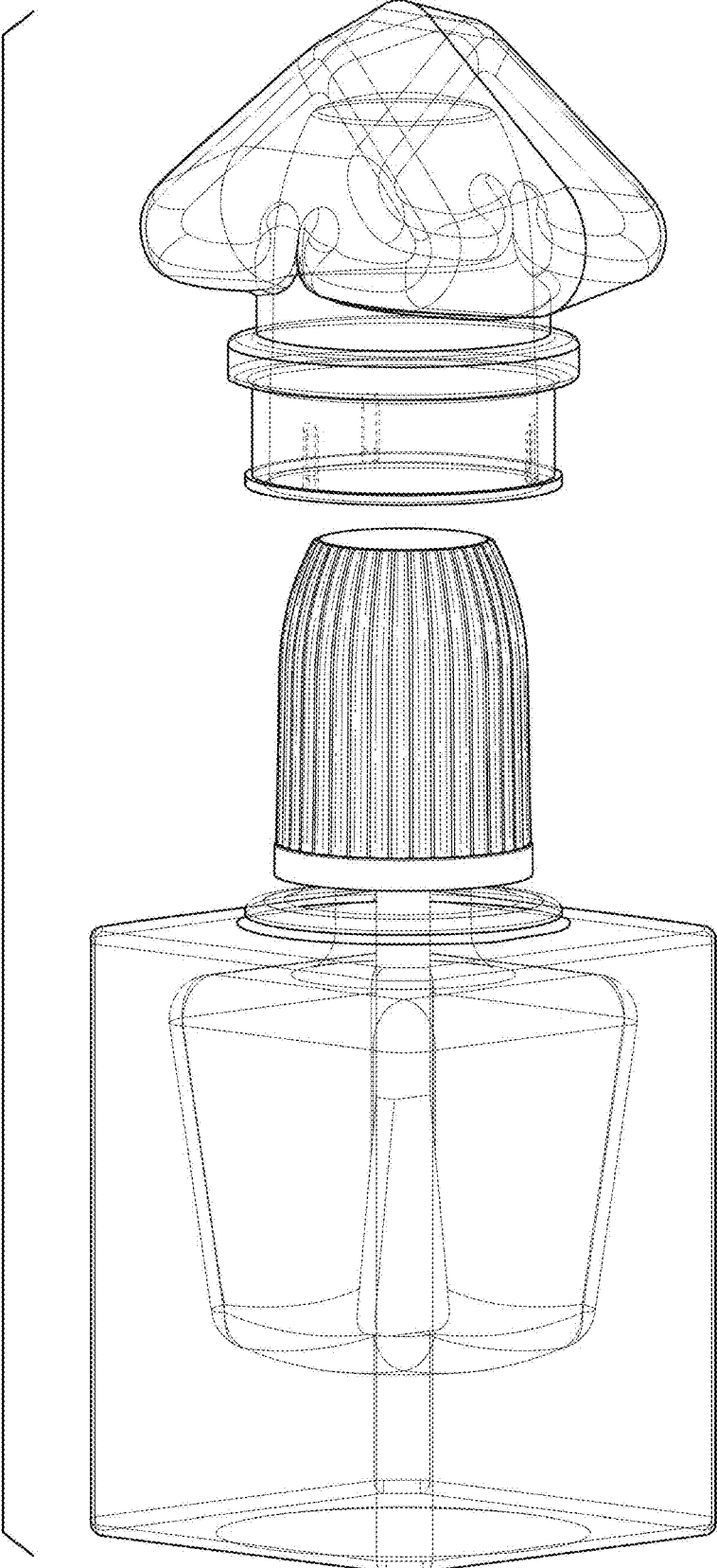




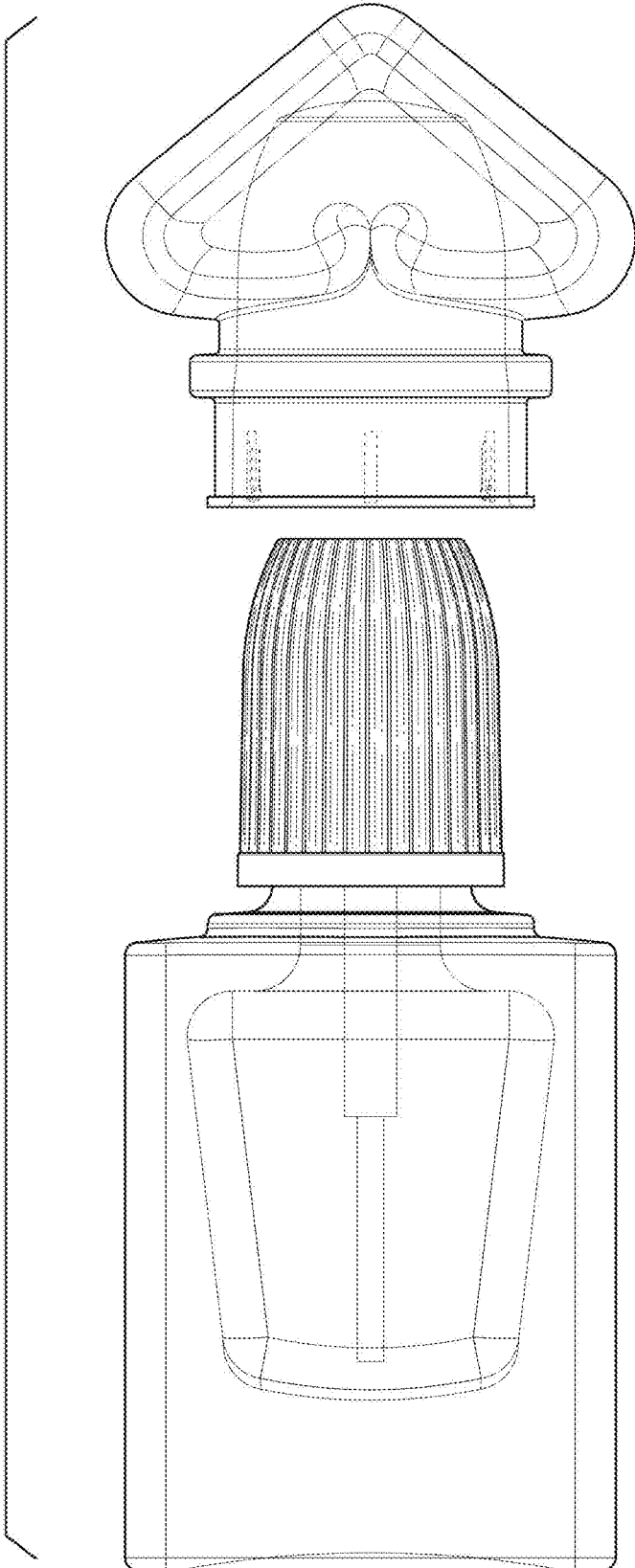
1.7

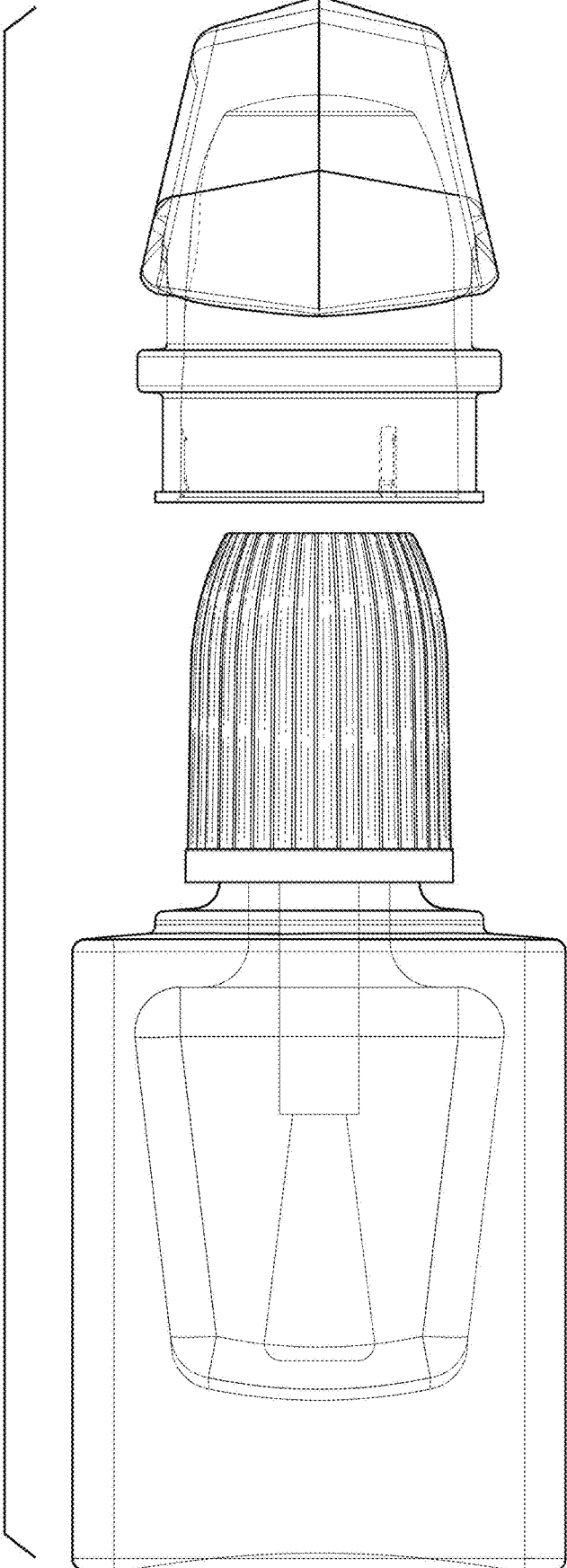


1.8



1.9





1.10