



US0D1069445S

(12) **United States Design Patent**  
**Zhao**

(10) **Patent No.:** **US D1,069,445 S**

(45) **Date of Patent:** **\*\* Apr. 8, 2025**

(54) **SOFA**

FOREIGN PATENT DOCUMENTS

(71) Applicant: **DREAMSIDEA INC**, Laguna Beach,  
CA (US)

CN	303582214	*	2/2016
CN	305527595	*	1/2020
CN	306507195	*	5/2021

(72) Inventor: **Rongrong Zhao**, Changchun (CN)

OTHER PUBLICATIONS

(73) Assignee: **DREAMSIDEA INC**, Laguna Beach,  
CA (US)

Corduroy Upholstered 2 Seat Arm Sofa, available Jan. 25, 2024 [online], [retrieved Jan. 23, 2025]. Retrieved from internet, <https://www.wayfair.com/furniture/pdp/latitude-run-corduroy-upholstered-2-seat-arm-sofa-w111030887.html?piid=345536011> (Year: 2024).\*

Ceni Loveseat, posted date unavailable [online], [retrieved Jan. 23, 2025]. Retrieved from internet, <https://www.article.com/product/25351/ceni-61-loveseat-hemlock-green> (Year: 2025).\*

12 Best Leather Couches and Sofas to Upgrade Your Living Room, Published Oct. 26, 2023 [online], [retrieved Jan. 23, 2025]. Retrieved from internet, <https://www.goodhousekeeping.com/home-products/g45531810/best-leather-couches/> (Year: 2023).\*

(\*\*) Term: **15 Years**

(21) Appl. No.: **29/974,713**

(22) Filed: **Nov. 25, 2024**

(51) **LOC (15) Cl.** ..... **06-01**

(52) **U.S. Cl.**  
USPC ..... **D6/381**

(58) **Field of Classification Search**  
USPC ..... D6/334, 336, 335, 360, 361, 363, 367,  
D6/371, 374, 379, 380, 381, 716.1, 716.4  
CPC .. A47C 3/16; A47C 5/005; A47C 5/12; A47C  
5/125; A47C 17/00; A47C 17/02; A47C  
17/04; A47C 17/34; A47C 17/36; A47C  
17/37

See application file for complete search history.

(56) **References Cited**

U.S. PATENT DOCUMENTS

D663,967 S	7/2012	Lenney	
D677,490 S	3/2013	Manzoni et al.	
D807,660 S	1/2018	Hughes	
D814,207 S	4/2018	Garrison	
D965,334 S	* 10/2022	Czaja	D6/381
D969,513 S	* 11/2022	Tan	D6/381
D976,022 S	* 1/2023	Czaja	D6/381

(Continued)

*Primary Examiner* — Jae Liang  
*Assistant Examiner* — Christopher Torma  
(74) *Attorney, Agent, or Firm* — Jose Cherson Weissbrot

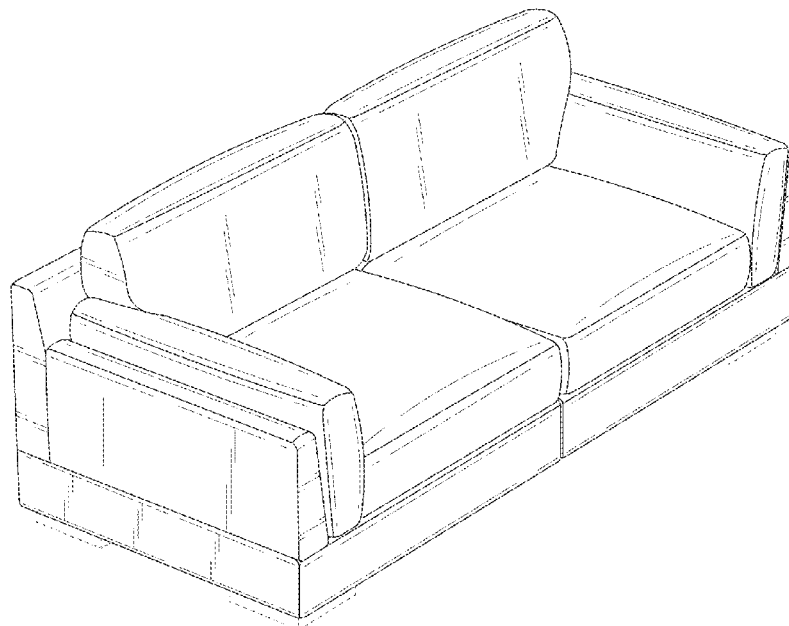
(57) **CLAIM**

The ornamental design for a sofa, as shown and described.

**DESCRIPTION**

FIG. 1 is a front perspective view of a sofa, showing my new design;  
FIG. 2 is a front view thereof;  
FIG. 3 is a rear view thereof;  
FIG. 4 is a right side view thereof;  
FIG. 5 is a left side view thereof;  
FIG. 6 is a top view thereof; and,  
FIG. 7 is a bottom view thereof.  
All the broken lines in the drawings depict portions of the sofa that form no part of the claimed design.

**1 Claim, 7 Drawing Sheets**



(56)

**References Cited**

OTHER PUBLICATIONS

Introspect Mid-Century Modern Sofa, available Oct. 22, 2022 [online], [retrieved Jan. 23, 2025]. Retrieved from internet, <https://brooklynspace.co/products/introspect-mid-century-modern-sofa> (Year: 2022).\*

Ainara 90.3" 2 Seater Sofa, wayfair.com, Dec. 27, 2023, Ebern Designs, <https://www.wayfair.com/furniture/pdp/-w110263954.html> (Last accessed : (Nov. 25, 2024).

\* cited by examiner

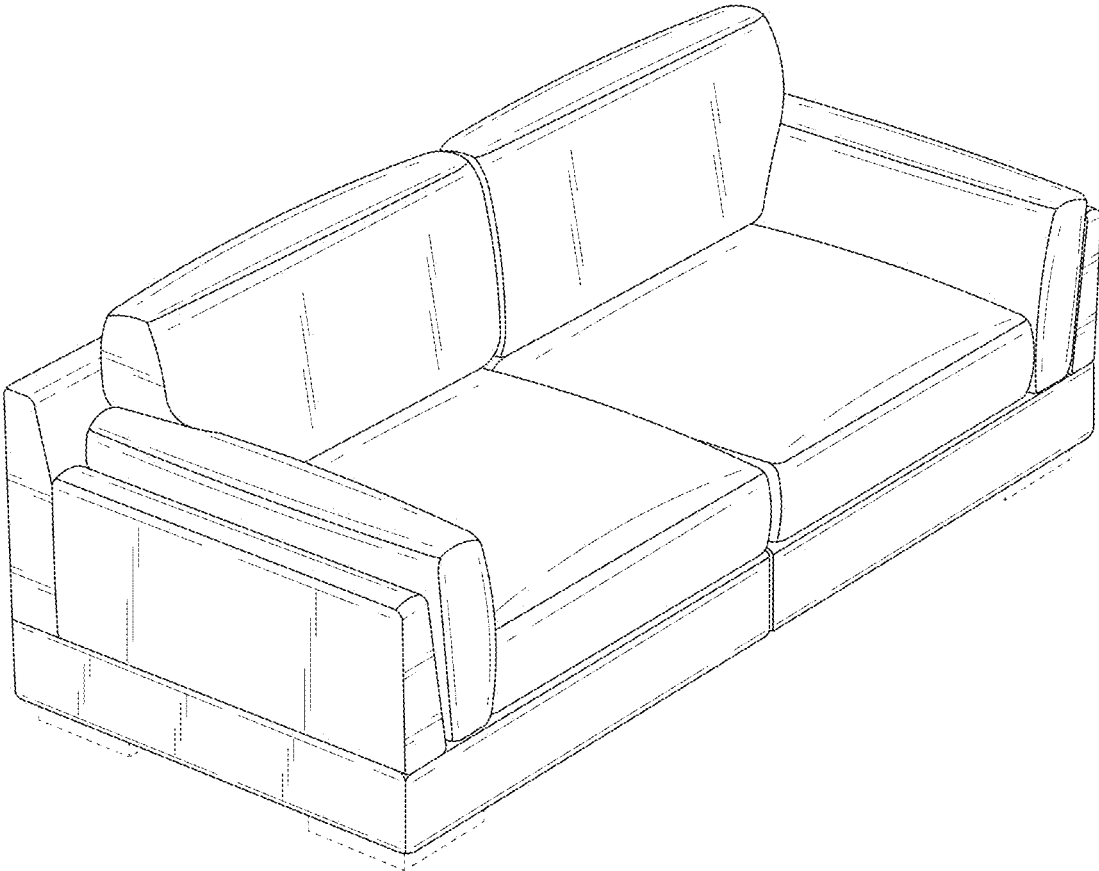


FIG. 1

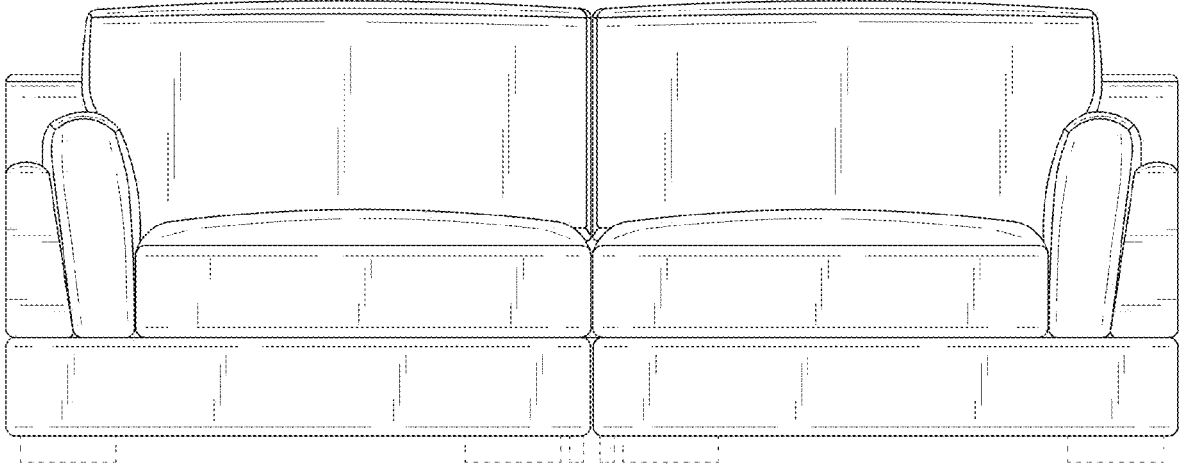


FIG. 2

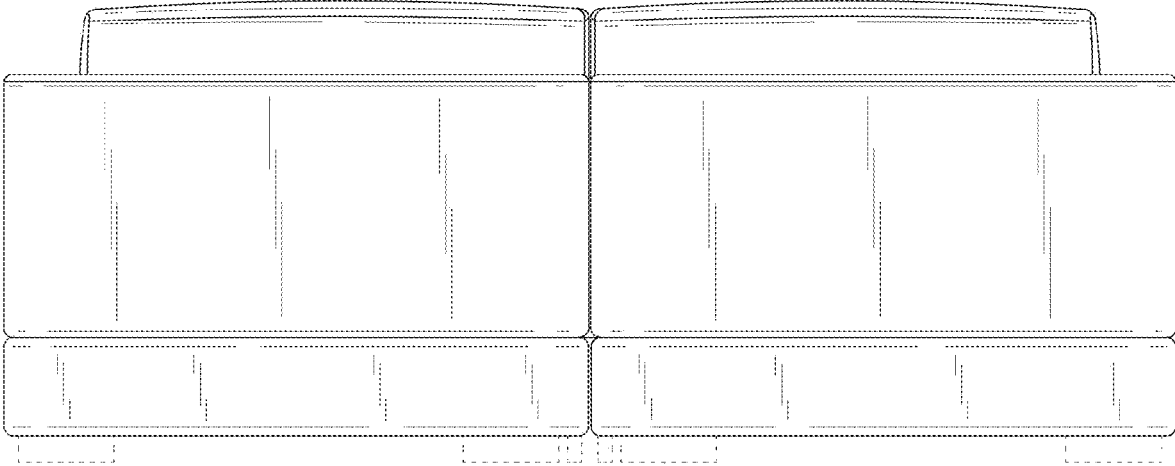


FIG. 3

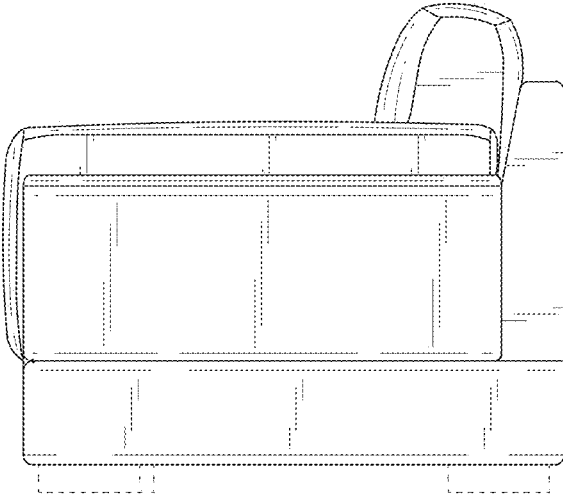


FIG. 4

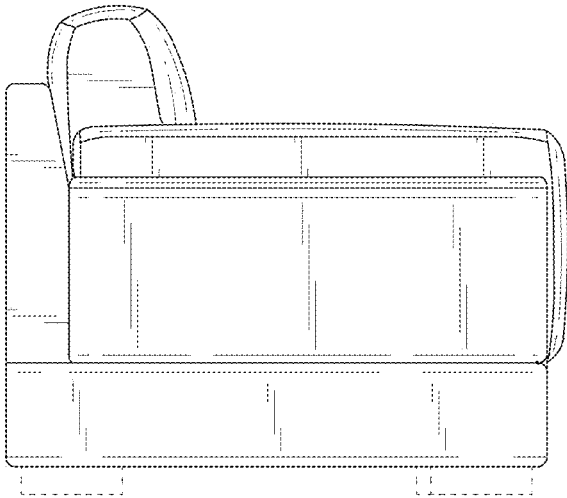


FIG. 5

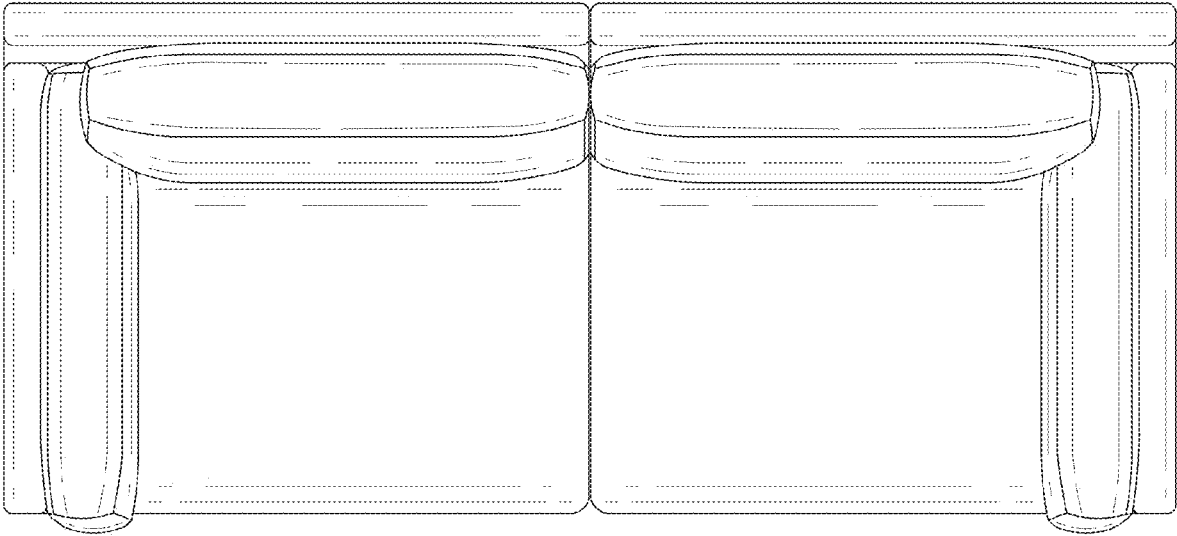


FIG. 6

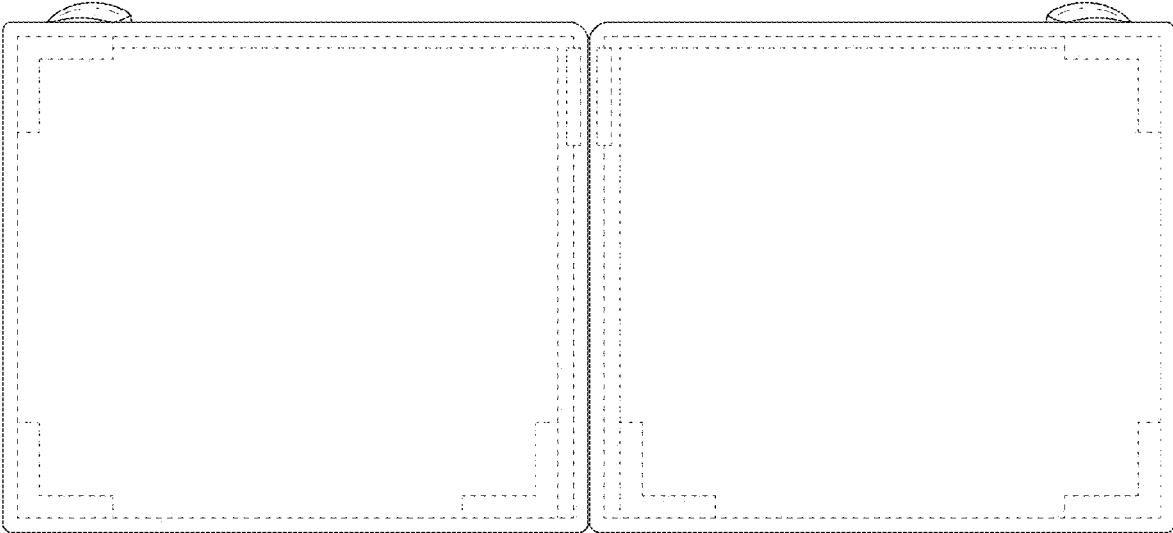


FIG. 7