

(12) INTERNATIONAL APPLICATION PUBLISHED UNDER THE PATENT COOPERATION TREATY (PCT)

(19) World Intellectual Property
Organization

International Bureau

(43) International Publication Date
07 June 2018 (07.06.2018)



(10) International Publication Number
WO 2018/100576 A1

(51) International Patent Classification:

A61F 6/08 (2006.01) A61B 17/84 (2006.01)

Published:

— with international search report (Art. 21(3))

(21) International Application Number:

PCT/IL2017/051300

(22) International Filing Date:

29 November 2017 (29.11.2017)

(25) Filing Language:

English

(26) Publication Language:

English

(30) Priority Data:

62/427,240 29 November 2016 (29.11.2016) US

(71) Applicant: ESCALA MEDICAL LTD. [IL/IL]; 17 Tchelet Street, 2017900 Misgav (IL).

(72) Inventors: GOLDBERG, Edit; 17 Tchelet Street, 2017900 Misgav (IL). WEISBROD, Hagay; 17 Tchelet Street, 2017900 Misgav (IL). SOBOL, Moran; 17 Tchelet Street, 2017900 Misgav (IL). HARARI, Shahar; 17 Tchelet Street, 2017900 Misgav (IL).

(74) Agent: GASSNER, Dvir et al.; 55 Yigal Alon St, 6789115 Tel Aviv (IL).

(81) Designated States (unless otherwise indicated, for every kind of national protection available): AE, AG, AL, AM, AO, AT, AU, AZ, BA, BB, BG, BH, BN, BR, BW, BY, BZ, CA, CH, CL, CN, CO, CR, CU, CZ, DE, DJ, DK, DM, DO, DZ, EC, EE, EG, ES, FI, GB, GD, GE, GH, GM, GT, HN, HR, HU, ID, IL, IN, IR, IS, JO, JP, KE, KG, KH, KN, KP, KR, KW, KZ, LA, LC, LK, LR, LS, LU, LY, MA, MD, ME, MG, MK, MN, MW, MX, MY, MZ, NA, NG, NI, NO, NZ, OM, PA, PE, PG, PH, PL, PT, QA, RO, RS, RU, RW, SA, SC, SD, SE, SG, SK, SL, SM, ST, SV, SY, TH, TJ, TM, TN, TR, TT, TZ, UA, UG, US, UZ, VC, VN, ZA, ZM, ZW.

(84) Designated States (unless otherwise indicated, for every kind of regional protection available): ARIPO (BW, GH, GM, KE, LR, LS, MW, MZ, NA, RW, SD, SL, ST, SZ, TZ, UG, ZM, ZW), Eurasian (AM, AZ, BY, KG, KZ, RU, TJ, TM), European (AL, AT, BE, BG, CH, CY, CZ, DE, DK, EE, ES, FI, FR, GB, GR, HR, HU, IE, IS, IT, LT, LU, LV, MC, MK, MT, NL, NO, PL, PT, RO, RS, SE, SI, SK, SM, TR), OAPI (BF, BJ, CF, CG, CI, CM, GA, GN, GQ, GW, KM, ML, MR, NE, SN, TD, TG).

(54) Title: ANCHOR DELIVERY SYSTEM AND METHOD

(57) Abstract: An apparatus for affixing a first tissue to a second tissue and methods of manufacturing and using the same. The apparatus comprises an elongated needle; a handle disposed at a proximal end of the elongated needle; a superelastic anchor disposed within the elongated needle, the anchor comprises: at least one normally-expanded elongated hook that is biased to a contracted state to fit within the elongated needle; a securing element; and an advancement mechanism triggerable by the handle and being configured to: eject the anchor out of a distal end of said elongated needle to allow the elongated hook to extend distally outward from the longitudinal axis of the elongated needle, into or beyond a tissue, and following the ejection of the anchor, eject the securing element from the apparatus to prevent movement of the anchor in at least one direction.



WO 2018/100576 A1

ANCHOR DELIVERY SYSTEM AND METHOD

CROSS-REFERENCE TO RELATED APPLICATIONS

[0001] This application claims priority to U.S. Provisional Patent Application No. 62/427,240, filed November 29, 2016, entitled “Anchor Delivery System and Method”, which is incorporated herein by reference in its entirety.

FIELD OF THE INVENTION

[0002] The invention relates to the field of tissue anchoring systems.

BACKGROUND

[0003] There are a variety of medical devices and procedures used for supporting internal portions of a patient's body such as for treating pelvic organ prolapse. The pelvic floor of a patient includes muscles and ligaments that support organs, such as the bladder, colon, urethra, uterus, cervix, small intestine, or rectum within a pelvic cavity. Pelvic organ prolapse occurs when this normal structural support stretches or weakens, causing the descent or drop of the organs. There are four main forms of pelvic organ prolapse. Cystocele is a weakening of the vaginal wall causing the bladder to protrude into the vagina. Rectocele is a weakening of the back wall of the vagina causing the rectum to protrude into the vagina. In vaginal vault prolapse (uterine prolapse) the uterus intrudes into the vagina from above, and in enterocele the small intestine descends and protrudes into the vagina.

[0004] One procedure for treating this type of disorder comprises securing the apex of the vagina to a sacrospinous ligament or other structurally supportive tissue within the pelvic region. In a majority of circumstances, anterior and posterior prolapses are caused by apical support defects. By supporting the vaginal apex region, most of the apically related prolapses of the vaginal area are relieved.

[0005] Conventional prolapse repair procedures require an incision through an abdominal or vaginal approach. In particular, these procedures include placing a mesh, graft, or other implant within the pelvic region of a patient. The mesh, graft, or other implant is delivered to the pelvic region through one or more incisions. Thus, this

requires substantial surgery where a patient can be typically hospitalized for days after the surgery as part of their recovery.

[0006] The foregoing examples of the related art and limitations related therewith are intended to be illustrative and not exclusive. Other limitations of the related art will become apparent to those of skill in the art upon a reading of the specification and a study of the figures.

SUMMARY

[0007] The following embodiments and aspects thereof are described and illustrated in conjunction with systems, tools and methods which are meant to be exemplary and illustrative, not limiting in scope.

[0008] There is provided, in accordance with an embodiment, an apparatus comprising: an elongated needle; a handle disposed at a proximal end of said elongated needle; a superelastic anchor disposed within said elongated needle, said anchor comprising: at least one normally-expanded elongated hook that is biased to a contracted state to fit within said elongated needle; a securing element; a thread disposed inside said elongated needle and extending along at least a portion of the length of said elongated needle, wherein said thread is coupled to said anchor and is threaded through said securing element; and an advancement mechanism triggerable by said handle and being configured to: eject said anchor out of a distal end of said elongated needle to allow said elongated hook to extend distally outward from the longitudinal axis of the elongated needle, into or beyond a tissue, and following the ejection of said anchor, eject the securing element from the apparatus, to prevent movement of the anchor in at least one direction.

[0009] In some embodiments, the securing element is slidably disposed around the elongated needle.

[0010] In some embodiments, the securing element comprises an actuator configured to prevent sliding of the securing element over said thread in at least one direction. In some embodiments, the actuator of said securing element is a ratchet mechanism. In some embodiments, the actuator of said securing element is configured to exert force on said thread.

[0011] According to one aspect, there is provided an anchor comprising: a first planar anchoring element obtained from a sheet of a superelastic material, and comprising: a first proximal coupling portion having an aperture extending between a posterior side and an anterior side of said proximal coupling portion, and a distal pair of opposing hooks disposed co-planarly with said first proximal coupling portion and extending distally and laterally away in from said first proximal coupling portion; and a second planar anchoring element obtained from a sheet of a superelastic material, and comprising: a second proximal coupling portion comprising: a pair of spaced apart proximal arms each comprising a proximal protrusion, wherein said proximal protrusions of said arms protrude one towards the other, wherein a proximal distance between said proximal protrusions is less than a thickness measured from a posterior to an anterior side of said first coupling element, and a distal pair of opposing hooks disposed co-planarly with said second proximal coupling portion and extending distally and laterally away from said second proximal coupling portion, wherein said first and said second planar anchoring elements are structured to couple together upon insertion and latching of said proximal protrusions of said second planar anchoring element to said aperture of said first planar anchoring element.

[0012] According to one aspect, there is provided a method for manufacturing the anchor, said method comprising the steps of: obtaining the first planar anchoring element and said second planar anchoring element from at least one sheet of superelastic material; positioning said first and said second planar anchoring elements with their planes perpendicular to one another; and inserting and latching said proximal protrusions of said second planar anchoring element to said aperture of said first planar anchoring element.

[0013] In some embodiments, the obtaining is by employing a technique selected from the group consisting of: stamping, cutting, and forging.

[0014] According to one aspect, there is provided a method for ligament fixation, the method comprising the steps of: trans-vaginally introducing an elongated needle and sequentially piercing a vaginal wall and penetrating a ligament, such as the sacrospinous ligament, with a distal end of said elongated needle; ejecting a contracted anchor out of the distal end of said elongated needle such that elongated hook of said anchor extends distally outward from the longitudinal axis of the needle, into the ligament; and

withdrawing said elongated needle to a position proximal to the vaginal wall, such as to expose a thread coupled to said anchor; and deploying a securing element against a proximal portion of the vaginal wall and actuating an actuator, to prevent the sliding of said securing element over said thread in at least one direction, thereby affixing the vaginal wall to the ligament.

[0015] This summary is provided to introduce a selection of concepts in a simplified form that are further described below in the Detailed Description. This summary is not intended to identify key features or essential features of the claimed subject matter, nor is it intended to be used to limit the scope of the claimed subject matter.

[0016] Further embodiments and the full scope of applicability of the present invention will become apparent from the detailed description given hereinafter. However, it should be understood that the detailed description and specific examples, while indicating preferred embodiments of the invention, are given by way of illustration only, since various changes and modifications within the spirit and scope of the invention will become apparent to those skilled in the art from this detailed description.

BRIEF DESCRIPTION OF THE FIGURES

[0017] Exemplary embodiments are illustrated in referenced figures. Dimensions of components and features shown in the figures are generally chosen for convenience and clarity of presentation and are not necessarily shown to scale. The figures are listed below.

[0018] **Fig. 1A** shows a fully assembled view of an apparatus for affixing a first tissue to a second tissue, in accordance with an embodiment;

[0019] **Fig. 1B** shows an enlarged, partially transparent view of a distal portion of a shaft of the apparatus of **Fig. 1A**, in accordance with an embodiment;

[0020] **Fig. 1C** shows a perspective view of an elongated needle and a securing element of the apparatus of **Fig. 1A**, in accordance with an embodiment;

[0021] **Fig. 1D** shows a perspective view of the securing element of **Fig. 1C** and a superelastic anchor of the apparatus of **Fig. 1A** in its contracted configuration, in accordance with an embodiment;

[0022] **Fig. 1E** shows a perspective view of the securing element of **Fig. 1C** and the superelastic anchor of **Fig. 1D** in its expanded configuration, following release from the apparatus of **Fig. 1A**, in accordance with an embodiment;

[0023] **Fig. 2A** shows a perspective view of a securing element and a superelastic anchor in its expanded configuration, following release from an apparatus for affixing a first tissue to a second tissue, in accordance with an embodiment;

[0024] **Fig. 2B** shows the anchor of **Fig. 2A** in position to be pulled into a retrieval device, in accordance with an embodiment;

[0025] **Fig. 2C** shows an enlarged view of **Fig. 2B**, in accordance with an embodiment;

[0026] **Figs. 2D-2F** are schematic illustrations, each illustrating a step of a method for retrieving an anchor deployed in a ligament through a vaginal wall, in accordance with the anchor and retrieval device of **Figs. 2B-C**;

[0027] **Figs. 2G-2H** are perspective and cross-sectional views, respectively, of a retrieval device, in accordance with an embodiment;

[0028] **Fig. 3A** shows a fully assembled view of an anchor, in accordance with an embodiment;

[0029] **Fig. 3B** is a schematic illustration showing a first planar anchoring element of the anchor of **Fig. 3A**, in accordance with an embodiment;

[0030] **Fig. 3B(1)** is a schematic illustration showing an alternative first planar anchoring element of the anchor of **Fig. 3A**, in accordance with an embodiment;

[0031] **Fig. 3C** is a distal end view of the first planar anchoring element of **Fig. 3B**, in accordance with an embodiment;

[0032] **Fig. 3D** is a schematic illustration showing a second planar anchoring element of the anchor of **Fig. 3A**, in accordance with an embodiment;

[0033] **Fig. 3E** is a distal end view of the second planar anchoring element of **Fig. 3D**, in accordance with an embodiment;

[0034] **Fig. 4** is a flow chart of the steps of a method for manufacturing the anchor of **Figs. 2A-E**, in accordance with an embodiment;

[0035] **Fig. 5** is a flow chart of the steps of a method for affixing a first tissue to a second tissue, in accordance with an embodiment;

[0036] **Figs. 6A-6E** are schematic illustrations, each illustrating a step of a method for affixing a vaginal wall to a ligament, in accordance with the apparatus of **Figs. 1A-E**;

[0037] **Fig. 7** is a side view of a securing element, in accordance with an embodiment;

[0038] **Figs. 8A-8B** are a side view and a proximal end view, respectively, of a securing element in accordance with an embodiment;

[0039] **Figs. 9A-9B** are a side view and a proximal end view, respectively, of a securing element in accordance with an embodiment;

[0040] **Figs. 10A-10B** are a side view and a proximal end view, respectively, of a securing element in accordance with an embodiment;

[0041] **Fig. 11** shows a thread threaded through a securing element, in accordance with an embodiment;

[0042] **Fig. 12** shows a thread coupled to an anchor a securing element, in accordance with an embodiment;

[0043] **Fig. 13** shows a thread coupled to an anchor a securing element, in accordance with an embodiment; and

[0044] **Fig. 14** shows two anchors affixing a first tissue and a second tissue, in accordance with an embodiment.

DETAILED DESCRIPTION

[0045] Disclosed herein is an apparatus for affixing a first tissue to a second tissue (e.g., a vaginal wall to a sacrospinous ligament), and a method for operating the apparatus. The fixation may either bring the two tissues in contact, or they may remain at a certain distance from each other, but prevented from being drawn apart beyond the distance permitted by the manner of fixation. In some embodiments, the first and the second tissue may refer to different portions of the same tissue. Further disclosed is a method of manufacturing the apparatus.

[0046] The apparatus may include an elongated needle for penetrating a tissue, which houses an anchor in a contracted configuration and a securing element. The securing

element may be configured to prevent movement of the anchor in at least one direction relative to the securing element, following release of the anchor from the elongated needle. The securing element may interface with a tissue over a relatively large surface area, so as to spread the load it exerts on the tissue.

[0047] Optionally, the anchor or at least a portion thereof is biodegradable. Optionally, the anchor or at least a portion thereof is elastic. Optionally the anchor or at least a portion thereof is superelastic. Optionally, the anchor includes at least one normally-expanded distal hook that is biased to fit within the elongated needle and extends distally outward upon release from the elongated needle. Optionally, upon release of the anchor from the needle, the at least one hook extends distally outward from the longitudinal axis of the elongated needle into the tissue. Optionally, the anchor is released such that the at least one hook extends outside a distal surface of the tissue into a body lumen. In such embodiments, the anchor may be structured to include one or more T-bars rather than at least one hook.

[0048] Optionally, the apparatus includes a plurality of anchors. Optionally, the elongated needle may house the plurality of anchors. In such embodiments, the plurality of anchors may be deployed serially or sequentially. Alternatively, or additionally, the apparatus may include a plurality of elongated needles each housing at least one of the plurality of anchors so that plurality of anchors may be deployed simultaneously. The plurality of anchors may be coupled to one another. The plurality of anchors may be coupled to one another prior to deployment in a tissue. Alternatively, the plurality of anchors may be coupled to one another upon deployment in a tissue. Reference is now made to Fig. 14 which shows two anchors **1408a** and **1408b** affixing a second tissue **1492** to a first tissue **1490**, in accordance with one embodiment. Two anchors **1408a** and **1408b** are deployed within second tissue **1492** (e.g., sacrospinous ligament). Optionally, anchors **1408a** and **1408b** are couple together by a band **1420** that is wide enough (at least where it contacts the proximal surface of a first tissue **1490**) to prevent it from cutting through the first tissue. Band **1420** may spread between anchors **1408a** and **1408b** proximally to a first tissue **1490** (e.g., vaginal wall) to affix the first tissue (e.g., vaginal wall) to second tissue **1492**. Optionally, a securing element (**not shown**) may be coupled to band **1420** and pushed against the proximal surface of first tissue **1490** to further prevent band **1420** from cutting through tissue.

[0049] Optionally, the securing element may engage with a proximal portion of the anchor thereby preventing movement of the anchor in at least one direction relative to the securing element. Optionally, the securing element may engage with the anchor via a connecting element such as, for a non-limiting example a thread. The thread is optionally a surgical thread (sometimes referred to as a surgical “suture”), which may be bioabsorbable or non-bioabsorbable. Suitable bioabsorbable materials include, for example, polyglycolic acid, polylactic acid, monocryl, and polydioxanone. Suitable non-bioabsorbable materials include, for example, nylon, polyester, PVDF (Polyvinylidene fluoride), and polypropylene. The thread may be a braided thread, a monofilament line, or a multifilament line. The thread may be made of metal or plastic, or of any biocompatible material. The thread may be rigid or tensile.

[0050] A person skilled in the art will appreciate that a thread (e.g., made of a permanent suture) that is permanently exposed to the vaginal cavity may cause undesired effects such as irritation to the vaginal tissue, excessive vaginal discharge, etc. Advantageously, in some embodiments, a proximal end of the securing element may be structured to prevent exposure of the thread, such as by a cover that shelters the thread. Alternately, the securing element may engage with the anchor using any other suitable means, such as via a mounting, a joint, and/or any other type of coupling. Optionally, the securing element and the proximal portion of the anchor may be structured such that the proximal portion of the anchor may fit within the securing element. The engagement may be employed pre- or post-release of the anchor from the elongated needle. Optionally, the engagement may be employed by tying, welding, gluing, clipping, fastening, crimping, or any other suitable mechanism.

[0051] Optionally, the securing element may be equipped with a triggerable actuator to prevent sliding of securing element over the thread in at least a one direction, thereby preventing a relative movement of the anchor. Optionally, the actuator of the securing element may be configured to exert force on the thread. Optionally, the actuator is a ratchet mechanism. In one non-limiting example, the securing element include inner teeth/ledges disposed around the thread and engageable with opposing teeth/ledges disposed on the thread. Optionally, the thread and the securing element include a snap-lock engagement mechanism formed there between for locking the thread and the securing element together. In one non-limiting example, the thread may include at least one protrusion and the securing element may include a complementary detent.

Optionally, an alignment mechanism is formed between the thread and the securing element to rotationally align the thread and the securing element during sliding of the securing element over the thread.

[0052] Optionally, the securing element includes a bead and a thread fastening element. Non-limiting examples of beads and fastening elements are presented in Figs. **7, 8A-B, 9A-B, 10A-B, 11, 12, and 13.**

[0053] Reference is now made to Fig. **7** which shows a side view of a securing element **706** including a bead **706a** and a knot **706b** employed upon a thread **720** threaded through bead **706a** to prevent a movement of bead **706a** in at least one direction, in accordance with an embodiment.

[0054] Reference is now made to Figs. **8A-B** which show a side view and a proximal end view, respectively, of a securing element **806**, in accordance with an embodiment. Securing element **806** operates as a friction ratchet mechanism. Securing element **806** includes an outer bead **806a** and a fastening element **806b** deployed within outer bead **806a**. Fastening element **806b** may include four tongues **806c** extending inwardly from outer bead **806a** towards one another to contact a thread **820**, threaded through bead **806a**, therebetween. Proximal movement of thread **820** is enabled, since four tongues **806c** slide over the external surface of the thread. However, distal movement of thread **820** is prevented, because the edges of four tongues **806c** lightly stab the thread, causing sufficient friction to prevent this distal movement.

[0055] Reference is now made to Figs. **9A-B** which show a side view and a proximal end view, respectively, of a securing element **906**, in accordance with an embodiment. Securing element **906** operates as a friction ratchet mechanism. Securing element **906** includes an outer bead **906a** and a fastening element **906b** deployed within outer bead **906a**. Fastening element **906b** may include two tongues **906c** extending inwardly from outer bead **906a** towards one another to contact a thread **920**, threaded through bead **906a**, therebetween. Proximal movement of thread **920** is enabled, since two tongues **906c** slide over the external surface of the thread. However, distal movement of thread **920** is prevented, because the edges of two tongues **906c** lightly stab the thread, causing sufficient friction to prevent this distal movement.

[0056] Reference is now made to Figs. **10A-B** which show a side view and a proximal end view, respectively, of a securing element **1006**, in accordance with an embodiment.

Securing element **1006** includes an outer bead **1006a** and a fastening element **1006b** deployed within outer bead **1006a**. Fastening element may include a tongue **1006c** and a pin **1006d**. A thread **1020** may be threaded through a gap between pin **1006d** and an inner surface of bead **1006a**. Optionally, tongue **1006c** may push pin **1006d** against a thread **1020**, to secure thread **1020** between pin **1006d** and an inner surface of bead **1006a**.

[0057] Reference is now made to Fig. **11** which shows a thread **1120** threaded through a securing element **1106**, in accordance with an embodiment. Securing element includes an outer bead **1006a** and a fastening element **1006b** including a protrusion **1106c** and wedge **1106d**. Thread **1120** may be wrapped around protrusion **1106c**. Optionally, wedge **1106d** may apply force and lock thread **1120** in place between protrusion **1106c** and wedge **1106d**.

[0058] Reference is now made to Fig. **12** which shows a thread **1220** threaded through an anchor **1208** and a bead **1206a** of securing element **1206**, in accordance with an embodiment. Thread **1220** may have a bulge at each of its ends, thereby to couple anchor **1208** and bead **1206a** at a preset distance from one another.

[0059] Reference is now made to Fig. **13** which shows a thread **1320** threaded through an anchor **1308** and a securing element **1306**, in accordance with an embodiment. Thread **1320** may have a bulge at each of its ends. Optionally, securing element **1306** includes a distal bead **1306a1** and a proximal bead **1306a2** coupled by a spring **1306b**. Spring **1306b** may act to make the interconnection of anchor **1308** and bead **1306** slightly resilient.

[0060] Optionally, the at least one hook is made of a superelastic material. As used herein, the term "superelastic" refers to the ability of a structure deformed under a load to return to its original configuration upon the removal of the load. The term "superelastic material" refers to the ability of a material to withstand at least twice as much strain as stainless steel materials can withstand without plastic deformation. Suitable superelastic materials may be biocompatible superelastic materials such as Nitinol (nickel-titanium alloy). As used herein, a material is biocompatible if the material and any degradation products of the material are generally nontoxic to a patient and possess no significant deleterious or untoward effects on the patient's body, such as a significant immunological reaction.

[0061] Optionally, at least two planar anchoring elements obtained from a sheet of a superelastic material may be coupled together to form the anchor. In some embodiments, the at least two planar anchoring elements are obtained by employing a technique selected from the group consisting of: stamping, cutting, molding, and forging. In some embodiments, a thickness of the sheet ranges from 0.1 mm to 1 mm, 0.2 mm to 1 mm, 0.3 mm to 1 mm, 0.4 mm to 1 mm, 0.5 mm to 1 mm, 0.6 mm to 1 mm, 0.1 mm to 0.9 mm, 0.2 mm to 0.9 mm, 0.3 mm to 0.9 mm, 0.4 mm to 0.9 mm, 0.5 mm to 0.9 mm, 0.6 mm to 0.9 mm, 0.1 mm to 0.8 mm, 0.2 mm to 0.8 mm, 0.3 mm to 0.8 mm, 0.4 mm to 0.8 mm, 0.5 mm to 0.8 mm, 0.6 mm to 0.8 mm, 0.1 mm to 0.7 mm, 0.2 mm to 0.7 mm, 0.3 mm to 0.7 mm, 0.4 mm to 0.7 mm, 0.5 mm to 0.7 mm, 0.6 mm to 0.7 mm, 0.1 mm to 0.6 mm, 0.2 mm to 0.6 mm, 0.3 mm to 0.6 mm, 0.4 mm to 0.6 mm, or 0.5 mm to 0.6 mm. Each possibility represents a separate embodiment of the present invention. The different embodiments can be combined at will.

[0062] Optionally, the at least two planar anchoring elements may be structured to fit together such as by employing a latching mechanism. Alternatively, the at least two planar anchoring elements may be coupled together by welding, gluing, clipping, crimping, or any other appropriate coupling mechanism.

[0063] In some embodiments, the anchor includes two planar anchoring elements coupled together. In such embodiments, the planes of the two planar anchoring elements define an angle ranging from 5° to 175°, 10° to 170°, 15° to 165°, 20° to 160°, 25° to 155°, 30° to 150°, 35° to 145°, 40° to 140°, 45° to 135°, 50° to 130°, 55° to 125°, 60° to 120°, 65° to 115°, 70° to 110°, 75° to 105°, 80° to 100°, 85° to 95° between them. Each possibility represents a separate embodiment of the present invention. The different embodiments can be combined at will. In some embodiments, the planes of the two planar anchoring elements are perpendicular to one another.

[0064] A person skilled in the art would appreciate that the dimensions of the apparatus and its components may vary according to the target tissues to be affixed. In some embodiments, the apparatus is for affixing a first tissue to a second tissue within a body cavity. In some embodiments, the body cavity is a vaginal cavity. In some embodiments, the apparatus is for affixing a vaginal wall to the sacrospinous ligament.

[0065] Throughout the following description, similar elements of different embodiments of the apparatus are referenced by element numbers differing by integer

multiples of 100. For example, a superelastic anchor of Fig. 1 is referenced by the number 108, and a superelastic anchor of Fig. 2, which corresponds to superelastic anchor 108, is referenced by the number 208.

[0066] Reference is now made to Figs. 1A, 1B, 1C, 1D and 1E, which show an apparatus 100 that may be used for affixing a first tissue to a second tissue. Fig. 1A shows a fully assembled view of apparatus 100, in accordance with an embodiment. Fig. 1B shows an enlarged partially transparent view of a distal portion of a shaft 102 of apparatus 100 showing an elongated needle ('needle') 104 and a securing element 106 disposed within shaft 102, in accordance with an embodiment. Fig. 1C is a perspective view showing needle 104 and securing element 106 of apparatus 100, in accordance with an embodiment. Fig. 1D is a perspective view showing securing element 106 and a superelastic anchor ('anchor') 108 in its contracted configuration, in accordance with an embodiment. Fig. 1E is a perspective view showing securing element 106 and an anchor 108 in its expanded configuration following release from needle 104, in accordance with an embodiment.

[0067] To facilitate the description of apparatus 100, a longitudinal axis Z is indicated in Figs. 1A-B and refers to a central axis that extends along the length of shaft 102 of apparatus 100 from a proximal end 110 to a distal opening 112.

[0068] Apparatus 100 includes needle 104 housing anchor 108 which includes at least one normally-expanded elongated hook ('at least one hook') 114 that is biased to a contracted state to fit within elongated needle 104. Optionally, anchor 108 may be released from needle 104 via a distal opening 116. Optionally, anchor 108 may be released within a tissue. Optionally, upon release of anchor 108 from needle 106, at least one hook 114 may extend distally outward from the longitudinal axis of needle 104. Optionally, at least one hook 114 may include a pair of opposing hooks 114a and 114b and a pair of opposing hooks 114c and 114d in a perpendicular relation. Optionally, an inner surface 126 of at least one hook 114 is further equipped with teeth 128 to engage with a tissue and provide better hold of the tissue.

[0069] Optionally, needle 104 is further equipped with a distal piercing tip 118 (e.g., a sharp, beveled edge) to pierce and penetrate a tissue (e.g., vaginal wall, and sacrospinous ligament). In a non-limiting example, needle 104 pierces and penetrates the vaginal wall and the sacrospinous ligament and anchor 108 is released within the

sacrospinous ligament. Alternatively, piercing tip **118** may penetrate a body cavity through a tissue and anchor **108** may be released in that body cavity.

[0070] Optionally, apparatus **100** further includes securing element **106** structured to couple with a proximal end of anchor **108**. Optionally, securing element **106** and anchor **108** are coupled via a thread **120**. Optionally, thread **120** extends from securing element **106** and anchor **108** via an elongated slot **122** disposed along at least a distal portion of a length of needle **104**. Optionally, thread **120** is threaded through at least one of securing element **106** and anchor **108**.

[0071] Optionally, needle **104** and securing element **106** are disposed within shaft **102**. Optionally, securing element **106** may be slidably disposed around needle **104**. Alternatively, securing element may be disposed separately such as, for a non-limiting example, from another shaft (**not shown**). Optionally, at least one of needle **104** and securing element **106** may be advanced out from shaft **102** through distal opening **112** such as by employing an advancement mechanism (**not shown**). Upon advancement, securing element **106** may be released from shaft **102**. Upon advancement, needle **104** may protrude distally from shaft **102** in order to sequentially pierce a first tissue and penetrate a second tissue. A person with skill in the art would appreciate that a preset maximal distance between distal opening **116** of needle **104** and distal opening **112** of shaft **102** may range according to the first and second target tissues. In some embodiments, the preset distance ranges from 5 mm to 20 mm, 7 mm to 20 mm, 5 mm to 15 mm, 6 mm to 15 mm, 7 mm to 15 mm, 8 mm to 15mm, 9 mm to 15mm, 10 mm to 15mm, 5 mm to 13 mm, 6 mm to 13 mm, 7 mm to 13 mm, 8 mm to 13mm, 9 mm to 13mm, 10 mm to 13mm, 5 mm to 11 mm, 6 mm to 11 mm, 7 mm to 11 mm, 8 mm to 11mm, 9 mm to 11mm, 10 mm to 11mm, 5 mm to 9 mm, 6 mm to 9 mm, 7 mm to 9 mm, 8 mm to 9 mm, 5 mm to 8 mm, 6 mm to 8 mm, or 7 mm to 8 mm. Each possibility represents a separate embodiment of the present invention. The different embodiments can be combined at will.

[0072] Optionally, apparatus **100** is further equipped with a handle **124** disposed at a proximal end of needle **104**. Optionally, handle **124** is coupled to proximal end **110** of shaft **102** in a fixed or alternatively a detachable manner. Handle **124** may be configured to trigger an advancement mechanism (not shown) to eject anchor **108** out of distal opening **116** of needle **104** to allow at least one hook **114** to extend distally outward

from the longitudinal axis of needle **104**, and further eject securing element **106** from shaft **102**, to prevent a proximal movement of anchor **108** relative to securing element **106**. Optionally, securing element **106** is equipped with an actuator (not shown) triggerable to prevent sliding of securing element **106** over thread **120** in at least a one direction thereby preventing a relative movement of anchor **108**. Optionally, the actuator of securing element **106** is configured to exert force on thread **120**. Optionally, securing element **106** and thread **120** engage by a ratchet mechanism which allows one directional sliding of securing element **106** over thread **120**.

[0073] Reference is now made to Fig. **2A** which shows a perspective view of an anchor **208** and a securing element **206** of an apparatus **200** that may be used for affixing a first tissue to a second tissue, in accordance with another embodiment.

[0074] Anchor **208** is substantially similar to apparatus **100** described in Figs. **1A-E** with the notable difference of the inner surfaces **226** of hooks **214a**, **214b**, **214c** and **214d** being substantially smoother such that teeth **128** of Fig. **1A** are not present, to allow retrieval of anchor **208**. Optionally, anchor **208** may be further coupled with a retrieving wire **230**. Optionally, retrieving wire **230** is coupled to a proximal base **209** of anchor **208**. Optionally, anchor **208** may be detached from securing element **206** by cutting a thread **220** which couples anchor **208** and securing element **206**. Optionally, thread **220** is coupled to proximal base **209** of anchor **208**. Optionally, retrieving wire **230** may be pulled in a proximal direction to retrieve anchor **208**. Optionally, retrieving wire **230** may be pulled in a proximal direction following detachment of securing element **206** from anchor **208**.

[0075] A person skilled in the art will appreciate that retrieval of an anchor **208** deployed within a tissue by pulling the anchor in a proximal direction may induce damage (e.g., rupture) to the tissue resulting from movement of hooks **214a**, **214b**, **214c** and **214d** relative to the tissue. Advantageously, in order to retrieve anchor **208** deployed within a tissue without damaging the tissue, anchor **208** may be first contracted to fit within a retrieval device and then retrieved from the tissue within the retrieval device. In a non-limiting example, anchor **208** deployed within the sacrospinous ligament may be retrieved through the vaginal wall via a retrieval device which prevents direct contact between anchor **208** and the vaginal wall.

[0076] Reference is now made to Figs. **2B-C** which show a perspective view of anchor **208** of apparatus **200** pulled into a retrieval device **232**, in accordance with an embodiment. Retrieval device **232** includes a penetrating tube **233b** having a distal opening **235** through which anchor **208** may be pulled into penetrating tube **233b**. The inner diameter of penetrating tube **233b** is optionally slightly larger than the outer diameter of anchor **208**, when collapsed. For example, the inner diameter of penetrating tube **233b** may be 1-5%, 5-10%, 10-15%, or more than 15% larger than the outer diameter of anchor **208** when collapsed.

[0077] Optionally, penetrating tube **233b** has a distal piercing tip (not shown) to penetrate a tissue and allow positioning of distal opening **235** adjacent to proximal base **209** of anchor **208**. Optionally, penetrating tube **233b** of retrieval device **232** is disposed around and advanced distally along the length of retrieving wire **230** to allow distal opening **235** of penetrating tube **233b** to reach the base of anchor **208**. Retrieving wire **230** may be pulled through penetrating tube **233b** of retrieval device **232** to facilitate insertion of the proximal base of anchor **208** into catheter **233b** via distal opening **235**. Anchor **208** may contract upon proximal advancement through penetrating tube **233b** to fit within penetrating tube **233b**. Optionally, retrieval device **232** further includes a second tube **233a** disposed coaxially around penetrating tube **233b**. Optionally, penetrating tube **233b** protrudes distally from distal end **234** (e.g., distal opening) of second tube **233a**. Optionally, the protrusion of penetrating tube **233b** from distal end **234** is facilitated by advancement of penetrating tube **233b** along the longitudinal axis within second tube **233a**.

[0078] Reference is now made to Figs. **2D-F** each illustrating a step of a method for employing retrieval device **232** to retrieve anchor **208** deployed within a second tissue (e.g., sacrospinous ligament) **292** through a first tissue (e.g., vaginal wall) **290** without exposing hooks **214a**, **214b**, **214c**, **214d** to first tissue **290**. Reference is now made to Fig. **2D** which shows second tube **232** introduced against a proximal surface of first tissue **290** and distal opening **235** of penetrating tube **233b** enclosing on proximal base **209** of anchor **208** within second tissue **292**. Optionally, penetrating tube **233b** sequentially penetrates through first tissue **290** into second tissue **292** with the distal piercing tip to reach proximal base **209** of anchor **208**.

[0079] Reference is now made to Fig. **2E** which shows a partially contracted configuration of hooks **214** contracted to fit within penetrating tube **233b** upon proximal advancement of anchor **208** through penetrating tube **233b**. Reference is now made to Fig. **2F** which shows anchor **208** in its contracted configuration within penetrating tube **233b**.

[0080] Figs. **2G-2H** are perspective and cross-sectional views, respectively, of an alternative retrieval device **240**, in accordance with an embodiment. Retrieval device **240** includes an elongated shaft **242**, only the distal portion thereof is visible in these figures. Shaft **242** optionally has a lateral opening **246** that is internally connected to a distal opening of the shaft.

[0081] A handle (not shown) may also be part of retrieval device **240**, and be disposed at the proximal side of shaft **242**. The handle may include a grip allowing the surgeon to conveniently hold and operate retrieval device **240**. Shaft **242** may be long enough, such that, when its distal end reaches the sacrospinous ligament, its handle remains completely or mostly outside the patient's vaginal opening. The handle may also include a thread pulling mechanism, that enables securing the free end of the thread (that is connected to the base on the anchor) to the handle, and pulling of the thread from there. For example, the thread pulling mechanism may include a pulley, over which the thread may be wound.

[0082] A flexible tube **244** emerges from the distal opening of shaft **242**, and is optionally structured of three parts: a proximal rigid tube **244c** that is attached to, connected to, or integrally formed with shaft **242**; a flexible joint, such as a coiled spring **244b**, and a distal rigid tube (or needle) **244a** that has a distal opening, optionally sharpened. Those of skill in the art will recognize that a flexible tube may be structured differently, as long as it is configured to operate in the manner described below.

[0083] Retrieval device **240** operates as follows: The free end of the thread, that is connected to the base of the anchor, and is optionally long enough to emerge from the vaginal opening, is inserted by the surgeon into the distal opening of flexible tube **244**, and threaded through the flexible tube until it emerges from lateral opening **246** of shaft **242**.

[0084] Then, the free end of the thread may be pulled proximally, relative to retrieval device **240**. This may be performed by activating the thread pulling mechanism at the

handle, which, for example, wounds the thread over a pulley and causes a shortening of the distance between the anchor and retrieval device **240** by rotating the pulley. Since the force securing the anchor to the tissue is relatively strong, retrieval device **240**, in effect, will be pulled towards the anchor, and the distal opening of flexible tube **244** will penetrate the tissue (e.g., the vaginal wall and then the sacrospinous ligament), and, next, encircle the base of the anchor.

[0085] The flexibility of flexible tube **244**, achieved by the coiled spring **244b** (or by a different flexible mechanism), self-guides to encircle the base of the anchor. Namely, flexible tube **244** slides over the thread, which is kept taut as retrieval device **240** advances distally, and the flexible tube can flex in any radial dimension until it encircles the anchor base.

[0086] Flexible tube **244** may be advanced (e.g., by pulling the thread towards retrieval device **240**) until, for example, its distal opening reaches an area where the hooks of the anchor begin to curl outwardly. Then, the surgeon may keep retrieval device **240** in place, while continuing to pull the thread distally. This will cause the anchor's hooks to gradually collapse as the anchor is withdrawn into flexible tube **244**.

[0087] The inner diameter of flexible tube **244** (or of at least a distal portion thereof which is sufficiently long to house the collapsed anchor) is optionally slightly larger than the outer diameter of the anchor, when collapsed. For example, the inner diameter of flexible tube **244** may be 1-5%, 5-10%, 10-15%, or more than 15% larger than the outer diameter of the anchor when collapsed.

[0088] Optionally, flexible tube **244** has an anchor delimiter inside its lumen, which prevents the anchor from sliding proximally through the entire flexible tube and out of lateral opening **246**. In some scenarios, it may be beneficial to ensure that the anchor stays secured to flexible tube **244** until retrieval device **240** is completely extracted from the body. The anchor delimiter may be embodied, for example, by a narrower inner diameter of coiled spring **244b**, which is narrower than the outer diameter of the collapsed anchor. This will maintain the anchor inside distal rigid tube **244a** and prevent its migration further proximally. Another option is to include an internal protrusion (not shown) inside the flexible tube, which stops the anchor from moving past it.

[0089] Reference is now made to Figs. **3A-E** which show multiple views of a superelastic anchor ('anchor') **208** that may be used in apparatus **100** for affixing a first tissue to a second tissue, in accordance with an embodiment.

[0090] Reference is now made to Figs. **3A-E** which show multiple views of a superelastic anchor ('anchor') **308** that may be used in apparatus **100** of Figs. **1A-E** for affixing a first tissue to a second tissue, in accordance with an embodiment. Figs. **3A**, **3B**, **3C**, **3D**, and **2E** show a fully assembled view of anchor **308** including a first planar anchoring element **336** and a second planar anchoring element **342**, a perspective view showing first planar anchoring element **336** of anchor **308**, a distal end view showing a thickness **364** of first planar anchoring element **336**, a perspective view showing second planar anchoring element **342** of anchor **308**, and a distal end view showing a thickness **366** of second planar anchoring element **342**, respectively.

[0091] To facilitate the description of first planar anchoring element **336** and second planar anchoring element **342**, three orthogonal axes are indicated in Figs. **3B** and **3C**. Referring to Fig. **3B**, the axis labelled 'longitudinal axis' refers to a central axis that extends along the length of a first proximal coupling portion **344** of first planar anchoring element **336** from a proximal end **346** of first planar anchoring element **336** to a distal end **348**. The axis labelled 'lateral axis' indicates the width of first planar anchoring element **336** and extends from a first lateral edge **350a** of a distal pair of opposing hooks **314a** and **314b** of first planar anchoring element **336** to a second lateral edge **350b** of a distal pair of opposing hooks **314a** and **314b** of first planar anchoring element **336**. The axis labelled 'vertical axis' extends from an anterior side to a posterior side of first planar anchoring element **336** defining the thickness of first planar anchoring element **336**, and is perpendicular to both the vertical and the longitudinal axes. Referring to Fig. **3D**, the axis labelled 'longitudinal axis' refers to a central axis that extends along the length of a second proximal coupling portion **352** of second planar anchoring element **342** from a proximal end **354** to a distal end **356**. The axis labelled 'lateral axis' indicates the width of first planar anchoring element **342** and extends from a first lateral edge **350c** of a distal pair of opposing hooks **314c** and **314d** of second planar anchoring element **342** to a second lateral edge **350d** of distal pair of opposing hooks **314c** and **314d** of second planar anchoring element **342**. The axis labelled 'vertical axis' extends from an anterior side to a posterior side of second planar anchoring element **342** defining the thickness

of second planar anchoring element **342**, and is perpendicular to both the vertical and the longitudinal axes.

[0092] Anchor **308** includes a first planar anchoring element **336** and a second planar anchoring element **342**. Optionally, first planar anchoring element **336** of anchor **308** and second planar anchoring element **342** of anchor **308** may be coupled together such that their planes define a first angle α and a supplementary angle β between them. In some embodiments, first angle α ranges between 30° to 150° and supplementary angle β is a supplementary angle to first angle α . Optionally, the planes of first planar anchoring element **336** of anchor **308** and second planar anchoring element **342** of anchor **308** may be substantially perpendicular to one another. Optionally, first and second planar anchoring elements **336** and **342** are structured to couple together upon insertion and latching of proximal protrusions **358a** and **360a** of second planar anchoring element **342** to an aperture **362** of first planar anchoring element **336**.

[0093] First planar anchoring element **336** may include first proximal coupling portion **344**, and a distal pair of opposing hooks **314a** and **314b** which are disposed co-planarly with and extend distally and laterally away from first proximal coupling portion **344**. Optionally, first proximal coupling portion **344** includes an aperture **362** extending between a posterior side and an anterior side of first proximal coupling portion **344**.

[0094] Optionally, each of hooks **314a** and **314b** define an inner curvature having a radius **R1**. In some embodiments radius **R1** ranges from 2 mm to 3 mm, 2.1 mm to 3 mm, 2.2 mm to 3 mm, 2.3 mm to 3 mm, 2.4 mm to 3 mm, 2.5 mm to 3 mm, 2 mm to 2.6 mm, 2.1 mm to 2.6 mm, 2.2 mm to 2.6 mm, 2.3 mm to 2.6 mm, 2.4 mm to 2.6 mm, 2 mm to 2.5 mm, 2.1 mm to 2.5 mm, 2.2 mm to 2.5 mm, 2.3 mm to 2.5 mm, 2.4 mm to 2.5 mm, 2 mm to 2.4 mm, 2.1 mm to 2.4 mm, 2.2 mm to 2.4 mm, or 2.3 mm to 2.4 mm. Each possibility represents a separate embodiment of the present invention. The different embodiments can be combined at will.

[0095] Optionally, first lateral edge **350a** and second lateral edge **350b** of hooks **314a** and **314b**, respectively, may taper along the plane defined by the longitudinal-lateral axes, resulting in a pointed surface on the proximal edge of each of first lateral edge **350a** and second lateral edge **350b**.

[0096] In some embodiments, a width **337** measured from first lateral edge **350a** to second lateral edge **350b** of distal pair of opposing hooks **314a** and **314b** of first planar

anchoring element **336** ranges from 4 mm to 16 mm, 4 mm to 15 mm, 4 mm to 14 mm, 4 mm to 13 mm, 4 mm to 12 mm, 4 mm to 10 mm, 4 mm to 9 mm, 4 mm to 8 mm, 4 mm to 7 mm, 4 mm to 6.5 mm, 4 mm to 6 mm, 8 mm to 12.4 mm, 8 mm to 12.2 mm, 8 mm to 12.1 mm, 8 mm to 12 mm, 8 mm to 11.9 mm, 8 mm to 11.8 mm, 8 mm to 11.7 mm, 8 mm to 11.6 mm, 8 mm to 11.5 mm, 8 mm to 11.4 mm, 8 mm to 11.3 mm, 8 mm to 11.2 mm, 8.5 mm to 13 mm, 8.5 mm to 12.9 mm, 8.5 mm to 12.8 mm, 8.5 mm to 12.7 mm, 8.5 mm to 12.6 mm, 8.5 mm to 12.5 mm, 8.5 mm to 12.4 mm, 8.5 mm to 12.2 mm, 8.5 mm to 12.1 mm, 8.5 mm to 12 mm, 8.5 mm to 11.9 mm, 8.5 mm to 11.8 mm, 8.5 mm to 11.7 mm, 8.5 mm to 11.6 mm, 8.5 mm to 11.5 mm, 8.5 mm to 11.4 mm, 8.5 mm to 11.3 mm, 8.5 mm to 11.2 mm, 9 mm to 13 mm, 9 mm to 12.9 mm, 9 mm to 12.8 mm, 9 mm to 12.7 mm, 9 mm to 12.6 mm, 9 mm to 12.5 mm, 9 mm to 12.4 mm, 9 mm to 12.2 mm, 9 mm to 12.1 mm, 9 mm to 12 mm, 9 mm to 11.9 mm, 9 mm to 11.8 mm, 9 mm to 11.7 mm, 9 mm to 11.6 mm, 9 mm to 11.5 mm, 9 mm to 11.4 mm, 9 mm to 11.3 mm, 9 mm to 11.2 mm, 9.5 mm to 13 mm, 9.5 mm to 12.9 mm, 9.5 mm to 12.8 mm, 9.5 mm to 12.7 mm, 9.5 mm to 12.6 mm, 9.5 mm to 12.5 mm, 9.5 mm to 12.4 mm, 9.5 mm to 12.2 mm, 9.5 mm to 12.1 mm, 9.5 mm to 12 mm, 9.5 mm to 11.9 mm, 9.5 mm to 11.8 mm, 9.5 mm to 11.7 mm, 9.5 mm to 11.6 mm, 9.5 mm to 11.5 mm, 9.5 mm to 11.4 mm, 9.5 mm to 11.3 mm, 9.5 mm to 11.2 mm, 10 mm to 13 mm, 10 mm to 12.9 mm, 10 mm to 12.8 mm, 10 mm to 12.7 mm, 10 mm to 12.6 mm, 10 mm to 12.5 mm, 10 mm to 12.4 mm, 10 mm to 12.2 mm, 10 mm to 12.1 mm, 10 mm to 12 mm, 10 mm to 11.9 mm, 10 mm to 11.8 mm, 10 mm to 11.7 mm, 10 mm to 11.6 mm, 10 mm to 11.5 mm, 10 mm to 11.4 mm, 10 mm to 11.3 mm, 10 mm to 11.2 mm, 10.5 mm to 13 mm, 10.5 mm to 12.9 mm, 10.5 mm to 12.8 mm, 10.5 mm to 12.7 mm, 10.5 mm to 12.6 mm, 10.5 mm to 12.5 mm, 10.5 mm to 12.4 mm, 10.5 mm to 12.2 mm, 10.5 mm to 12.1 mm, 10.5 mm to 12 mm, 10.5 mm to 11.9 mm, 10.5 mm to 11.8 mm, 10.5 mm to 11.7 mm, 10.5 mm to 11.6 mm, 10.5 mm to 11.5 mm, 10.5 mm to 11.4 mm, 10.5 mm to 11.3 mm, 10.5 mm to 11.2 mm, 11 mm to 13 mm, 11 mm to 12.9 mm, 11 mm to 12.8 mm, 11 mm to 12.7 mm, 11 mm to 12.6 mm, 11 mm to 12.5 mm, 11 mm to 12.4 mm, 11 mm to 12.2 mm, 11 mm to 12.1 mm, 11 mm to 12 mm, 11 mm to 11.9 mm, 11 mm to 11.8 mm, 11 mm to 11.7 mm, 11 mm to 11.6 mm, 11 mm to 11.5 mm, 11 mm to 11.4 mm, 11 mm to 11.3 mm, or 11 mm to 11.2 mm. Each possibility represents a separate embodiment of the present invention. The different embodiments can be combined at will.

[0097] In some embodiments, a width **338** of hooks **314a** and **314b** ranges from 0.2 mm to 0.6 mm, 0.2 mm to 0.58 mm, 0.2 mm to 0.56 mm, 0.2 mm to 0.54 mm, 0.2 mm to 0.52 mm 0.2 mm to 0.5 mm, 0.2 mm to 0.48 mm, 0.2 mm to 0.46 mm, 0.2 mm to 0.44 mm, 0.2 mm to 0.42 mm, 0.2 mm to 0.41 mm, 0.2 mm to 0.40 mm, 0.2 mm to 0.39 mm, 0.25 mm to 0.6 mm, 0.25 mm to 0.58 mm, 0.25 mm to 0.56 mm, 0.25 mm to 0.54 mm, 0.25 mm to 0.52 mm 0.25 mm to 0.5 mm, 0.25 mm to 0.48 mm, 0.25 mm to 0.46 mm, 0.25 mm to 0.44 mm, 0.25 mm to 0.42 mm, 0.25 mm to 0.41 mm, 0.25 mm to 0.40 mm, 0.25 mm to 0.39 mm, 0.3 mm to 0.6 mm, 0.3 mm to 0.58 mm, 0.3 mm to 0.56 mm, 0.3 mm to 0.54 mm, 0.3 mm to 0.52 mm 0.3 mm to 0.5 mm, 0.3 mm to 0.48 mm, 0.3 mm to 0.44 mm, 0.3 mm to 0.42 mm, 0.3 mm to 0.41 mm, 0.3 mm to 0.40 mm, 0.3 mm to 0.39 mm, 0.32 mm to 0.6 mm, 0.32 mm to 0.58 mm, 0.32 mm to 0.56 mm, 0.32 mm to 0.54 mm, 0.32 mm to 0.52 mm 0.32 mm to 0.5 mm, 0.32 mm to 0.48 mm, 0.32 mm to 0.44 mm, 0.32 mm to 0.42 mm, 0.32 mm to 0.41 mm, 0.32 mm to 0.40 mm, 0.32 mm to 0.39 mm, 0.34 mm to 0.6 mm, 0.34 mm to 0.58 mm, 0.34 mm to 0.56 mm, 0.34 mm to 0.54 mm, 0.34 mm to 0.52 mm 0.34 mm to 0.5 mm, 0.34 mm to 0.48 mm, 0.34 mm to 0.44 mm, 0.34 mm to 0.42 mm, 0.34 mm to 0.41 mm, 0.34 mm to 0.40 mm, 0.34 mm to 0.39 mm, 0.36 mm to 0.6 mm, 0.36 mm to 0.58 mm, 0.36 mm to 0.56 mm, 0.36 mm to 0.54 mm, 0.36 mm to 0.52 mm 0.36 mm to 0.5 mm, 0.36 mm to 0.48 mm, 0.36 mm to 0.44 mm, 0.36 mm to 0.42 mm, 0.36 mm to 0.41 mm, 0.36 mm to 0.40 mm, 0.36 mm to 0.39 mm, 0.37 mm to 0.6 mm, 0.37 mm to 0.58 mm, 0.37 mm to 0.56 mm, 0.37 mm to 0.54 mm, 0.37 mm to 0.52 mm 0.37 mm to 0.5 mm, 0.37 mm to 0.48 mm, 0.37 mm to 0.44 mm, 0.37 mm to 0.42 mm, 0.37 mm to 0.41 mm, 0.37 mm to 0.40 mm, or 0.37 mm to 0.39 mm. Each possibility represents a separate embodiment of the present invention. The different embodiments can be combined at will.

[0098] In some embodiments, a height **339** measured along the longitudinal axis from proximal end **346** to a distal end of hook **314a** or **314b** ranges from 4 mm to 16 mm, 4 mm to 15 mm, 4 mm to 14 mm, 4 mm to 13 mm, 4 mm to 12 mm, 4 mm to 10 mm, 4 mm to 9 mm, 4 mm to 8 mm, 4 mm to 7 mm, 4 mm to 6.5 mm, 4 mm to 6 mm, 5 mm to 16 mm, 5 mm to 15 mm, 5 mm to 14 mm, 5 mm to 13 mm, 5 mm to 12 mm, 5 mm to 10 mm, 5 mm to 9 mm, 5 mm to 8 mm, 5 mm to 7 mm, 5 mm to 6.5 mm, 5 mm to 6 mm, 5.5 mm to 16 mm, 5.5 mm to 15 mm, 5.5 mm to 14 mm, 5.5 mm to 13 mm, 5.5 mm to 12 mm, 5.5 mm to 10 mm, 5.5 mm to 9 mm, 5.5 mm to 8 mm, 5.5 mm to 7 mm, 5.5 mm to 6.5 mm, 5.5 mm to 6.4 mm, 5.5 mm to 6.3 mm, 5.5 mm to 6.2 mm, 5.5 mm

to 6.1 mm, or 5.5 mm to 6 mm. Each possibility represents a separate embodiment of the present invention. The different embodiments can be combined at will.

[0099] Optionally, a width **341** measured along the lateral axis of first proximal coupling portion **344** ranges from 0.8 mm to 2 mm, 0.8 mm to 1.8 mm, 0.8 mm to 1.7 mm, 0.8 mm to 1.6 mm, 0.8 mm to 1.5 mm, 0.8 mm to 1.4 mm, 0.8 mm to 1.3 mm, 0.8 mm to 1.2 mm, 0.9 mm to 2 mm, 0.9 mm to 1.8 mm, 0.9 mm to 1.7 mm, 0.9 mm to 1.6 mm, 0.9 mm to 1.5 mm, 0.9 mm to 1.4 mm, 0.8 mm to 1.3 mm, 0.9 mm to 1.2 mm, 1 mm to 2 mm, 1 mm to 1.8 mm, 1 mm to 1.7 mm, 1 mm to 1.6 mm, 1 mm to 1.5 mm, 1 mm to 1 mm, 0.8 mm to 1 mm, 1 mm to 1.2 mm, 1.1 mm to 2 mm, 1.1 mm to 1.8 mm, 1.1 mm to 1.7 mm, 0.8 mm to 1.1 mm, 1.1 mm to 1.5 mm, 1.1 mm to 1.4 mm, 1.1 mm to 1.3 mm, or 1.1 mm to 1.2 mm. Each possibility represents a separate embodiment of the present invention. The different embodiments can be combined at will.

[00100] Optionally, width **340** measured within aperture **362** along the lateral axis, exceeds thickness **366** of second planar anchoring element **342** by 0.01 mm to 0.06 mm, 0.01 mm to 0.05 mm, 0.01 mm to 0.04 mm, 0.01 mm to 0.03 mm, 0.01 mm to 0.02 mm, 0.02 mm to 0.06 mm, 0.02 mm to 0.05 mm, 0.02 mm to 0.04 mm, or 0.02 mm to 0.03 mm. Each possibility represents a separate embodiment of the present invention. Optionally, a proximal space **343** measured along the lateral axis between hooks **314a** and **314b** exceeds thickness **366** of second planar anchoring element **342** by 0.01 mm to 0.06 mm, 0.01 mm to 0.05 mm, 0.01 mm to 0.04 mm, 0.01 mm to 0.03 mm, 0.01 mm to 0.02 mm, 0.02 mm to 0.06 mm, 0.02 mm to 0.05 mm, 0.02 mm to 0.04 mm, or 0.02 mm to 0.03 mm. Each possibility represents a separate embodiment of the present invention. In some embodiments, each of width **340** measured within aperture **362** and space **343** measured along the lateral axis between hooks **314a** and **314b** independently ranges from 0.34 mm to 0.6 mm, 0.36 mm to 0.6 mm, 0.38 mm to 0.6 mm, 0.4 mm to 0.6 mm, 0.41 mm to 0.6 mm, 0.42 mm to 0.6 mm, 0.43 mm to 0.6 mm, 0.44 mm to 0.6 mm, 0.45 mm to 0.6 mm, 0.46 mm to 0.6 mm, 0.47 mm to 0.6 mm, 0.48 mm to 0.6 mm, 0.49 mm to 0.6 mm, 0.5 mm to 0.6 mm, 0.51 mm to 0.6 mm, 0.52 mm to 0.6 mm, 0.53 mm to 0.58 mm, 0.54 mm to 0.6 mm, 0.55 mm to 0.6 mm, 0.56 mm to 0.6 mm, 0.4 mm to 0.58 mm, 0.41 mm to 0.58 mm, 0.42 mm to 0.58 mm, 0.43 mm to 0.58 mm, 0.44 mm to 0.58 mm, 0.45 mm to 0.58 mm, 0.46 mm to 0.58 mm, 0.47 mm to 0.58 mm, 0.48 mm to 0.58 mm, 0.49 mm to 0.58 mm, 0.5 mm to 0.58 mm, 0.51 mm to 0.58 mm, 0.52 mm to 0.58 mm, 0.53 mm to 0.58 mm, 0.54 mm to 0.58 mm, 0.55 mm to 0.58 mm, 0.56 mm to 0.58

mm, 0.4 mm to 0.56 mm, 0.41 mm to 0.56 mm, 0.42 mm to 0.56 mm, 0.43 mm to 0.56 mm, 0.44 mm to 0.56 mm, 0.45 mm to 0.56 mm, 0.46 mm to 0.56 mm, 0.47 mm to 0.56 mm, 0.48 mm to 0.56 mm, 0.49 mm to 0.56 mm, 0.5 mm to 0.56 mm, 0.51 mm to 0.56 mm, 0.52 mm to 0.56 mm, 0.53 mm to 0.56 mm, 0.54 mm to 0.56 mm, or 0.55 mm to 0.56 mm. Each possibility represents a separate embodiment of the present invention. The different embodiments can be combined at will.

[00101] In some embodiments, thickness **364** measured from a posterior to an anterior side of first planar anchoring element **336** and its components (e.g., first proximal coupling portion **344**, hooks **314a** and **314b**) ranges from 0.34 mm to 0.6 mm, 0.36 mm to 0.6 mm, 0.38 mm to 0.6 mm, 0.4 mm to 0.6 mm, 0.41 mm to 0.6 mm, 0.42 mm to 0.6 mm, 0.43 mm to 0.6 mm, 0.44 mm to 0.6 mm, 0.45 mm to 0.6 mm, 0.46 mm to 0.6 mm, 0.47 mm to 0.6 mm, 0.48 mm to 0.6 mm, 0.49 mm to 0.6 mm, 0.5 mm to 0.6 mm, 0.51 mm to 0.6 mm, 0.52 mm to 0.6 mm, 0.53 mm to 0.58 mm, 0.54 mm to 0.6 mm, 0.55 mm to 0.6 mm, 0.56 mm to 0.6 mm, 0.4 mm to 0.58 mm, 0.41 mm to 0.58 mm, 0.42 mm to 0.58 mm, 0.43 mm to 0.58 mm, 0.44 mm to 0.58 mm, 0.45 mm to 0.58 mm, 0.46 mm to 0.58 mm, 0.47 mm to 0.58 mm, 0.48 mm to 0.58 mm, 0.49 mm to 0.58 mm, 0.5 mm to 0.58 mm, 0.51 mm to 0.58 mm, 0.52 mm to 0.58 mm, 0.53 mm to 0.58 mm, 0.54 mm to 0.58 mm, 0.55 mm to 0.58 mm, 0.56 mm to 0.58 mm, 0.4 mm to 0.56 mm, 0.41 mm to 0.56 mm, 0.42 mm to 0.56 mm, 0.43 mm to 0.56 mm, 0.44 mm to 0.56 mm, 0.45 mm to 0.56 mm, 0.46 mm to 0.56 mm, 0.47 mm to 0.56 mm, 0.48 mm to 0.56 mm, 0.49 mm to 0.56 mm, 0.5 mm to 0.56 mm, 0.51 mm to 0.56 mm, 0.52 mm to 0.56 mm, 0.53 mm to 0.56 mm, 0.54 mm to 0.56 mm, or 0.55 mm to 0.56 mm. Each possibility represents a separate embodiment of the present invention. The different embodiments can be combined at will.

[00102] Second planar anchoring element **342** may include a second proximal coupling portion **352** and a distal pair of opposing hooks **314c** and **314d** disposed co-planarly with and extending distally and laterally away from second proximal coupling portion **352**.

[00103] Optionally, each of hooks **314c** and **314d** define an inner curvature having a radius **R2**. In some embodiments radius **R2** ranges from 2 mm to 3 mm, 2.1 mm to 3 mm, 2.2 mm to 3 mm, 2.3 mm to 3 mm, 2.4 mm to 3 mm, 2.5 mm to 3 mm, 2 mm to 2.6 mm, 2.1 mm to 2.6 mm, 2.2 mm to 2.6 mm, 2.3 mm to 2.6 mm, 2.4 mm to 2.6 mm, 2 mm to 2.5 mm, 2.1 mm to 2.5 mm, 2.2 mm to 2.5 mm, 2.3 mm to 2.5 mm, 2.4 mm to

2.5 mm, 2 mm to 2.4 mm, 2.1 mm to 2.4 mm, 2.2 mm to 2.4 mm, or 2.3 mm to 2.4 mm. Each possibility represents a separate embodiment of the present invention. The different embodiments can be combined at will.

[00104] Optionally, first lateral edge **350c** and second lateral edge **350d** of hooks **314c** and **314d**, respectively, may taper along the plane defined by the longitudinal-lateral axes, resulting in a pointed surface on the proximal edge of each of first lateral edge **350c** and second lateral edge **350d**.

[00105] Optionally, second proximal coupling portion **352** includes a pair of spaced apart proximal arms **358** and **360** each comprising a proximal protrusion **358a** and **360a**, protruding one towards the other. Optionally, a distance **361** between a pair of spaced apart proximal arms **358** and **360** exceeds thickness **364** measured from a posterior to an anterior side of first proximal coupling portion **344** and a proximal distance **365** between proximal protrusions **358a** and **360a** is less than thickness **364** measured from a posterior to an anterior side of first proximal coupling portion **344**. In some embodiments, a distance **361** exceeds thickness **364** in 0.01 mm to 0.06 mm, 0.01 mm to 0.05 mm, 0.01 mm to 0.04 mm, 0.01 mm to 0.03 mm, 0.01 mm to 0.02 mm, 0.02 mm to 0.06 mm, 0.02 mm to 0.05 mm, 0.02 mm to 0.04 mm, or 0.02 mm to 0.03 mm. Each possibility represents a separate embodiment of the present invention. In some embodiments, a proximal distance **363** between proximal protrusions **358a** and **360a** is less than thickness **364** by a range of 0.01 mm to 0.06 mm, 0.01 mm to 0.05 mm, 0.01 mm to 0.04 mm, 0.01 mm to 0.03 mm, 0.01 mm to 0.02 mm, 0.02 mm to 0.06 mm, 0.02 mm to 0.05 mm, 0.02 mm to 0.04 mm, or 0.02 mm to 0.03 mm. Each possibility represents a separate embodiment of the present invention. The different embodiments can be combined at will.

[00106] Optionally, a width **365** measured along the lateral axis of second proximal coupling portion **352** ranges from 0.8 mm to 2 mm, 0.8 mm to 1.8 mm, 0.8 mm to 1.7 mm, 0.8 mm to 1.6 mm, 0.8 mm to 1.5 mm, 0.8 mm to 1.4 mm, 0.8 mm to 1.3 mm, 0.8 mm to 1.2 mm, 0.9 mm to 2 mm, 0.9 mm to 1.8 mm, 0.9 mm to 1.7 mm, 0.9 mm to 1.6 mm, 0.9 mm to 1.5 mm, 0.9 mm to 1.4 mm, 0.8 mm to 1.3 mm, 0.9 mm to 1.2 mm, 1 mm to 2 mm, 1 mm to 1.8 mm, 1 mm to 1.7 mm, 1 mm to 1.6 mm, 1 mm to 1.5 mm, 0.8 mm to 1 mm, 1 mm to 1.2 mm, 1.1 mm to 2 mm, 1.1 mm to 1.8 mm, 1.1 mm to 1.7 mm, 0.8 mm to 1.1 mm, 1.1 mm to 1.5 mm, 1.1 mm to 1.4 mm, 1.1 mm to 1.3 mm, or 1.1

mm to 1.2 mm. Each possibility represents a separate embodiment of the present invention. The different embodiments can be combined at will.

[00107] Optionally a In some embodiments, a height **367** measured along the longitudinal axis from proximal end **354** to a distal end of hook **314c** or **314d** ranges from 4 mm to 16 mm, 4 mm to 15 mm, 4 mm to 14 mm, 4 mm to 13 mm, 4 mm to 12 mm, 4 mm to 10 mm, 4 mm to 9 mm, 4 mm to 8 mm, 4 mm to 7 mm, 4 mm to 6.5 mm, 4 mm to 6 mm, 5 mm to 16 mm, 5 mm to 15 mm, 5 mm to 14 mm, 5 mm to 13 mm, 5 mm to 12 mm, 5 mm to 10 mm, 5 mm to 9 mm, 5 mm to 8 mm, 5 mm to 7 mm, 5 mm to 6.5 mm, 5 mm to 6 mm, 5.5 mm to 16 mm, 5.5 mm to 15 mm, 5.5 mm to 14 mm, 5.5 mm to 13 mm, 5.5 mm to 12 mm, 5.5 mm to 10 mm, 5.5 mm to 9 mm, 5.5 mm to 8 mm, 5.5 mm to 7 mm, 5.5 mm to 6.5 mm, 5.5 mm to 6.4 mm, 5.5 mm to 6.3 mm, 5.5 mm to 6.2 mm, 5.5 mm to 6.1 mm, or 5.5 mm to 6 mm. Each possibility represents a separate embodiment of the present invention. The different embodiments can be combined at will.

[00108] In some embodiments, a width **369** measured from first lateral edge **350c** to second lateral edge **350d** of distal pair of opposing hooks **314c** and **314d** of second planar anchoring element **342** ranges from 4 mm to 16 mm, 4 mm to 15 mm, 4 mm to 14 mm, 4 mm to 13 mm, 4 mm to 12 mm, 4 mm to 10 mm, 4 mm to 9 mm, 4 mm to 8 mm, 4 mm to 7 mm, 4 mm to 6.5 mm, 4 mm to 6 mm, 8 mm to 12.4 mm, 8 mm to 12.2 mm, 8 mm to 12.1 mm, 8 mm to 12 mm, 8 mm to 11.9 mm, 8 mm to 11.8 mm, 8 mm to 11.7 mm, 8 mm to 11.6 mm, 8 mm to 11.5 mm, 8 mm to 11.4 mm, 8 mm to 11.3 mm, 8 mm to 11.2 mm, 8.5 mm to 13 mm, 8.5 mm to 12.9 mm, 8.5 mm to 12.8 mm, 8.5 mm to 12.7 mm, 8.5 mm to 12.6 mm, 8.5 mm to 12.5 mm, 8.5 mm to 12.4 mm, 8.5 mm to 12.2 mm, 8.5 mm to 12.1 mm, 8.5 mm to 12 mm, 8.5 mm to 11.9 mm, 8.5 mm to 11.8 mm, 8.5 mm to 11.7 mm, 8.5 mm to 11.6 mm, 8.5 mm to 11.5 mm, 8.5 mm to 11.4 mm, 8.5 mm to 11.3 mm, 8.5 mm to 11.2 mm, 9 mm to 13 mm, 9 mm to 12.9 mm, 9 mm to 12.8 mm, 9 mm to 12.7 mm, 9 mm to 12.6 mm, 9 mm to 12.5 mm, 9 mm to 12.4 mm, 9 mm to 12.2 mm, 9 mm to 12.1 mm, 9 mm to 12 mm, 9 mm to 11.9 mm, 9 mm to 11.8 mm, 9 mm to 11.7 mm, 9 mm to 11.6 mm, 9 mm to 11.5 mm, 9 mm to 11.4 mm, 9 mm to 11.3 mm, 9 mm to 11.2 mm, 9.5 mm to 13 mm, 9.5 mm to 12.9 mm, 9.5 mm to 12.8 mm, 9.5 mm to 12.7 mm, 9.5 mm to 12.6 mm, 9.5 mm to 12.5 mm, 9.5 mm to 12.4 mm, 9.5 mm to 12.2 mm, 9.5 mm to 12.1 mm, 9.5 mm to 12 mm, 9.5 mm to 11.9 mm, 9.5 mm to 11.8 mm, 9.5 mm to 11.7 mm, 9.5 mm to 11.6 mm, 9.5 mm to 11.5 mm, 9.5 mm

to 11.4 mm, 9.5 mm to 11.3 mm, 9.5 mm to 11.2 mm, 10 mm to 13 mm, 10 mm to 12.9 mm, 10 mm to 12.8 mm, 10 mm to 12.7 mm, 10 mm to 12.6 mm, 10 mm to 12.5 mm, 10 mm to 12.4 mm, 10 mm to 12.2 mm, 10 mm to 12.1 mm, 10 mm to 12 mm, 10 mm to 11.9 mm, 10 mm to 11.8 mm, 10 mm to 11.7 mm, 10 mm to 11.6 mm, 10 mm to 11.5 mm, 10 mm to 11.4 mm, 10 mm to 11.3 mm, 10 mm to 11.2 mm, 10.5 mm to 13 mm, 10.5 mm to 12.9 mm, 10.5 mm to 12.8 mm, 10.5 mm to 12.7 mm, 10.5 mm to 12.6 mm, 10.5 mm to 12.5 mm, 10.5 mm to 12.4 mm, 10.5 mm to 12.2 mm, 10.5 mm to 12.1 mm, 10.5 mm to 12 mm, 10.5 mm to 11.9 mm, 10.5 mm to 11.8 mm, 10.5 mm to 11.7 mm, 10.5 mm to 11.6 mm, 10.5 mm to 11.5 mm, 10.5 mm to 11.4 mm, 10.5 mm to 11.3 mm, 10.5 mm to 11.2 mm, 11 mm to 13 mm, 11 mm to 12.9 mm, 11 mm to 12.8 mm, 11 mm to 12.7 mm, 11 mm to 12.6 mm, 11 mm to 12.5 mm, 11 mm to 12.4 mm, 11 mm to 12.2 mm, 11 mm to 12.1 mm, 11 mm to 12 mm, 11 mm to 11.9 mm, 11 mm to 11.8 mm, 11 mm to 11.7 mm, 11 mm to 11.6 mm, 11 mm to 11.5 mm, 11 mm to 11.4 mm, 11 mm to 11.3 mm, or 11 mm to 11.2 mm. Each possibility represents a separate embodiment of the present invention. The different embodiments can be combined at will.

[00109] In some embodiments, a width **368** of hooks **314c** and **314d** ranges from 0.2 mm to 0.6 mm, 0.2 mm to 0.58 mm, 0.2 mm to 0.56 mm, 0.2 mm to 0.54 mm, 0.2 mm to 0.52 mm, 0.2 mm to 0.5 mm, 0.2 mm to 0.48 mm, 0.2 mm to 0.46 mm, 0.2 mm to 0.44 mm, 0.2 mm to 0.42 mm, 0.2 mm to 0.41 mm, 0.2 mm to 0.40 mm, 0.2 mm to 0.39 mm, 0.25 mm to 0.6 mm, 0.25 mm to 0.58 mm, 0.25 mm to 0.56 mm, 0.25 mm to 0.54 mm, 0.25 mm to 0.52 mm, 0.25 mm to 0.5 mm, 0.25 mm to 0.48 mm, 0.25 mm to 0.46 mm, 0.25 mm to 0.44 mm, 0.25 mm to 0.42 mm, 0.25 mm to 0.41 mm, 0.25 mm to 0.40 mm, 0.25 mm to 0.39 mm, 0.3 mm to 0.6 mm, 0.3 mm to 0.58 mm, 0.3 mm to 0.56 mm, 0.3 mm to 0.54 mm, 0.3 mm to 0.52 mm, 0.3 mm to 0.5 mm, 0.3 mm to 0.48 mm, 0.3 mm to 0.44 mm, 0.3 mm to 0.42 mm, 0.3 mm to 0.41 mm, 0.3 mm to 0.40 mm, 0.3 mm to 0.39 mm, 0.32 mm to 0.6 mm, 0.32 mm to 0.58 mm, 0.32 mm to 0.56 mm, 0.32 mm to 0.54 mm, 0.32 mm to 0.52 mm, 0.32 mm to 0.5 mm, 0.32 mm to 0.48 mm, 0.32 mm to 0.44 mm, 0.32 mm to 0.42 mm, 0.32 mm to 0.41 mm, 0.32 mm to 0.40 mm, 0.32 mm to 0.39 mm, 0.34 mm to 0.6 mm, 0.34 mm to 0.58 mm, 0.34 mm to 0.56 mm, 0.34 mm to 0.54 mm, 0.34 mm to 0.52 mm, 0.34 mm to 0.5 mm, 0.34 mm to 0.48 mm, 0.34 mm to 0.44 mm, 0.34 mm to 0.42 mm, 0.34 mm to 0.41 mm, 0.34 mm to 0.40 mm, 0.34 mm to 0.39 mm, 0.36 mm to 0.6 mm, 0.36 mm to 0.58 mm, 0.36 mm to 0.56 mm, 0.36 mm to

0.54 mm, 0.36 mm to 0.52 mm 0.36 mm to 0.5 mm, 0.36 mm to 0.48 mm, 0.36 mm to 0.44 mm, 0.36 mm to 0.42 mm, 0.36 mm to 0.41 mm, 0.36 mm to 0.40 mm, 0.36 mm to 0.39 mm, 0.37 mm to 0.6 mm, 0.37 mm to 0.58 mm, 0.37 mm to 0.56 mm, 0.37 mm to 0.54 mm, 0.37 mm to 0.52 mm 0.37 mm to 0.5 mm, 0.37 mm to 0.48 mm, 0.37 mm to 0.44 mm, 0.37 mm to 0.42 mm, 0.37 mm to 0.41 mm, 0.37 mm to 0.40 mm, or 0.37 mm to 0.39 mm. Each possibility represents a separate embodiment of the present invention. The different embodiments can be combined at will.

[00110] Fig. 3B(1) shows an alternative to first planar anchoring element **336** of Fig. 3B, with the notable difference being the shape of a proximal end **346a**. Whereas proximal end **346** of Fig. 3B has an oblong, arcuate shape, proximal end **346a** of Fig. 3B(1) is shaped as an arc with two straight “shoulders”. This configuration may be advantageous in preventing clamping or entanglement of the thread connected to the anchoring element, when the anchoring element resides inside the shaft of the present apparatus.

[00111] Reference is now made to Fig. **4**, which is a flow chart of the method for manufacturing an anchor in accordance with the anchor of Figs.**3A-E**. First planar anchoring element **336** and second planar anchoring element **342** are obtained from at least one sheet of superelastic material (**step 470**). Optionally, first and second planar anchoring elements **336** and **342** may be obtained by employing a technique selected from the group consisting of: stamping, cutting, molding, and forging. First planar anchoring element **336** and second planar anchoring element **342** are positioned such that their planes define a first angle α and a supplementary angle β between them (**step 472**). Optionally, first planar anchoring element **336** and second planar anchoring element **342** are positioned with their planes perpendicular to one another. Proximal protrusions **358a** and **360a** of second planar anchoring element **342** are inserted to aperture **362** of first planar anchoring element **336** (**step 474**). Optionally, upon insertion, proximal protrusions **358a** and **360a**, may latch within aperture **362** (**step 476**).

[00112] Reference is now made to Fig. **5**, which is a flow chart of the method for affixing a first tissue to a second tissue. An elongated needle is introduced through a body cavity to the proximal surface of the first tissue (**step 580**). In some embodiments, the body cavity is a vaginal cavity. A distal end of the elongated needle is sequentially penetrated through a first and into or beyond a second tissue (**step 582**). In some

embodiments, the first tissue is a vaginal wall and the second tissue is a sacrospinous ligament. An anchor is ejected out of the distal end of the elongated needle such that at least one hook of the anchor extends distally outward from the longitudinal axis of the needle (**step 584**). Optionally, the at least one hook may extend into or beyond the second tissue. In some embodiments, the at least one hook extends into the second tissue. In some embodiments, the at least one hook extends into a lumen beyond a distal outer surface of the second tissue. The elongated needle is withdrawn to a position proximal to the first tissue (**step 586**). In some embodiments, in which the anchor is coupled to a thread, the thread is exposed proximal to the first tissue upon withdrawal of the elongated needle. A securing element coupled to a proximal portion of the anchor is deployed against a proximal outer surface of the first tissue to prevent a relative motion in a proximal direction of the anchor thereby affixing a first tissue to a second tissue (**step 588**). In some embodiments, the securing element is coupled to the proximal portion of the anchor upon deployment. In some embodiments, the securing element is coupled to the proximal portion of the anchor prior to deployment. In some embodiments, the securing element and the anchor are coupled by a thread. In a non-limiting example, in which a thread couples the securing element and the anchor, the thread may be exposed upon withdrawal of the elongated needle in **step 584** and upon the deployment of the securing element in **step 586**, an actuator may be actuated to prevent a sliding of the securing element over the thread in at least one direction.

[00113] Optionally, the anchor may be retrieved in a proximal direction by insertion of a wire coupled to the proximal portion of the anchor or by insertion of the proximal end of the anchor into a distal opening of a retrieval device and insertion of the anchor through the distal opening to the retrieval device by pulling the wire in a proximal direction (**step 590**). **Step 590** may be employed prior to **step 588**. Alternatively, or additionally, **step 590** may be employed following detachment of the securing element from the proximal portion of the anchor.

[00114] Figs **6A-E** are schematic illustrations, each illustrating a step of a method for affixing a first tissue (e.g., vaginal wall) to a second tissue (sacrospinous ligament) in accordance with the apparatus of Figs. **1A-E**.

[00115] Reference is now made to Fig. **6A** which shows a shaft **102** introduced against a proximal surface of a first tissue (e.g., vaginal wall) **690** which is pushed against a second tissue (e.g., sacrospinous ligament) **692**.

[00116] Reference is now made to Fig. **6B** which shows an elongated needle **104** having a distal piercing tip **118** inserted through first tissue (e.g., vaginal wall) **690** into second tissue (e.g., sacrospinous ligament) **692**. Optionally, elongated needle may be inserted through first tissue **690** into second tissue **692** by sequentially piercing first tissue **690** and penetrating second tissue **692** with distal piercing tip **118**.

[00117] Reference is now made to Fig. **6C** which shows anchor **108** ejected out of distal opening **116** of elongated needle **102** such that at least one hook **114** extends distally outward from the longitudinal axis of elongated needle **102**, into the second tissue (e.g., sacrospinous ligament) **692**.

[00118] Reference is now made to Fig. **6D** which shows anchor **108** proximally coupled to thread **120** which is exposed following withdrawal of elongated needle **104** and shaft **102** to a position proximal to first tissue **690** (not shown).

[00119] Reference is now made to Fig. **6E** which shows securing element **106** deployed against the proximal portion of the vaginal wall **690**, thereby affixing first tissue (e.g., vaginal wall) **690** to second tissue (e.g., sacrospinous ligament) **692**. Optionally, an actuator (not shown) is actuated, to prevent the sliding of securing element **106** over thread **120** in at least one direction.

[00120] The terms "comprises", "comprising", "includes", "including", "having" and their conjugates mean "including but not limited to".

[00121] The term "consisting of" means "including and limited to".

[00122] The term "consisting essentially of" means that the composition, method or structure may include additional ingredients, steps and/or parts, but only if the additional ingredients, steps and/or parts do not materially alter the basic and novel characteristics of the claimed composition, method or structure.

[00123] As used herein, the singular form "a", "an" and "the" include plural references unless the context clearly dictates otherwise. For example, the term "a compound" or "at least one compound" may include a plurality of compounds, including mixtures thereof.

[00124] Throughout this application, various embodiments of this invention may be presented in a range format. It should be understood that the description in range format is merely for convenience and brevity and should not be construed as an inflexible limitation on the scope of the invention. Accordingly, the description of a range should be considered to have specifically disclosed all the possible subranges as well as individual numerical values within that range. For example, description of a range such as from 1 to 6 should be considered to have specifically disclosed subranges such as from 1 to 3, from 1 to 4, from 1 to 5, from 2 to 4, from 2 to 6, from 3 to 6 etc., as well as individual numbers within that range, for example, 1, 2, 3, 4, 5, and 6. This applies regardless of the breadth of the range.

[00125] Whenever a numerical range is indicated herein, it is meant to include any cited numeral (fractional or integral) within the indicated range. The phrases “ranging/ranges between” a first indicated number and a second indicated number and “ranging/ranges from” a first indicated number “to” a second indicated number are used herein interchangeably and are meant to include the first and second indicated numbers and all the fractional and integral numerals therebetween.

[00126] As used herein the term "method" refers to manners, means, techniques and procedures for accomplishing a given task including, but not limited to, those manners, means, techniques and procedures either known to, or readily developed from known manners, means, techniques and procedures by practitioners of the chemical, pharmacological, biological, biochemical and medical arts.

[00127] As used herein, the term “treating” includes abrogating, substantially inhibiting, slowing or reversing the progression of a condition, substantially ameliorating clinical or aesthetical symptoms of a condition or substantially preventing the appearance of clinical or aesthetical symptoms of a condition.

[00128] It is appreciated that certain features of the invention, which are, for clarity, described in the context of separate embodiments, may also be provided in combination in a single embodiment. Conversely, various features of the invention, which are, for brevity, described in the context of a single embodiment, may also be provided separately or in any suitable subcombination or as suitable in any other described embodiment of the invention. Certain features described in the context of various embodiments are not to be considered essential features of those embodiments, unless

the embodiment is inoperative without those elements. Aspects of the present invention are described herein with reference to flowchart illustrations and/or block diagrams of methods, apparatus (systems), and computer program products according to embodiments of the invention. It will be understood that each block of the flowchart illustrations and/or block diagrams, and combinations of blocks in the flowchart illustrations and/or block diagrams, can be implemented by computer readable program instructions.

[00129] The flowchart and block diagrams in the Figures illustrate the architecture, functionality, and operation of possible implementations of systems, methods, and computer program products according to various embodiments of the present invention. In this regard, each block in the flowchart or block diagrams may represent a module, segment, or portion of instructions, which comprises one or more executable instructions for implementing the specified logical function(s). In some alternative implementations, the functions noted in the block may occur in a different order than the order noted in the figures. For example, two blocks shown in succession may, in fact, be executed substantially concurrently, or the blocks may sometimes be executed in the reverse order, depending upon the functionality involved. It will also be noted that each block of the block diagrams and/or flowchart illustrations, and combinations of blocks in the block diagrams and/or flowchart illustrations, can be implemented by special purpose hardware-based systems that perform the specified functions or act or carry out combinations of special purpose hardware and computer instructions.

[00130] The descriptions of the various embodiments of the present invention have been presented for purposes of illustration, but are not intended to be exhaustive or limited to the embodiments disclosed. Many modifications and variations will be apparent to those of ordinary skill in the art without departing from the scope and spirit of the described embodiments. The terminology used herein was chosen to best explain the principles of the embodiments, the practical application or technical improvement over technologies found in the marketplace, or to enable others of ordinary skill in the art to understand the embodiments disclosed herein.

CLAIMS

What is claimed is:

1. An apparatus comprising:
 - (a) an elongated needle;
 - (b) a handle disposed at a proximal end of said elongated needle;
 - (c) a superelastic anchor disposed within said elongated needle, said anchor comprising:
 - at least one normally-expanded elongated hook that is biased to a contracted state to fit within said elongated needle;
 - (d) a securing element; and
 - (e) an advancement mechanism triggerable by said handle and being configured to:
 - eject said anchor out of a distal end of said elongated needle to allow said elongated hook to extend distally outward from the longitudinal axis of the elongated needle, into or beyond a tissue, and
 - following the ejection of said anchor, eject said securing element from the apparatus to prevent movement of said anchor in at least one direction.
2. The apparatus of claim 1, comprising a thread disposed inside said elongated needle and extending along at least a portion of the length of said elongated needle, wherein said thread is coupled to said anchor and is threaded through said securing element.
3. The apparatus of any one of the preceding claims, wherein said securing element is slidably disposed around said elongated needle.
4. The apparatus of any one of the preceding claims, wherein said securing element comprises an actuator.
5. The apparatus of claim 4, wherein said actuator of said securing element is a ratchet mechanism.
6. The apparatus of claim 4, wherein said actuator of said securing element is configured to exert force on said thread.

7. The apparatus of any of the preceding claims, wherein said superelastic anchor comprises:

(a) a first planar anchoring element obtained from a sheet of a superelastic material, and comprising:

a first proximal coupling portion having an aperture extending between a posterior side and an anterior side of said proximal coupling portion, and

a distal pair of opposing hooks disposed co-planarly with said first proximal coupling portion and extending distally and laterally away in from said first proximal coupling portion; and

(b) a second planar anchoring element obtained from a sheet of a superelastic material, and comprising:

a second proximal coupling portion comprising:

a pair of spaced apart proximal arms each comprising a proximal protrusion, wherein said proximal protrusions of said arms protrude one towards the other, wherein a proximal distance between said proximal protrusions is less than a thickness measured from a posterior to an anterior side of said first coupling element, and

a distal pair of opposing hooks disposed co-planarly with said second proximal coupling portion and extending distally and laterally away from said second proximal coupling portion,

wherein said first and said second planar anchoring elements are coupled together by a latching of said proximal protrusions of said second planar anchoring element to said aperture of said first planar anchoring element.

8. An anchor comprising:

(a) a first planar anchoring element obtained from a sheet of a superelastic material, and comprising:

a first proximal coupling portion having an aperture extending between a posterior side and an anterior side of said proximal coupling portion, and

a distal pair of opposing hooks disposed co-planarly with said first proximal coupling portion and extending distally and laterally away in from said first proximal coupling portion; and

(b) a second planar anchoring element obtained from a sheet of a superelastic material, and comprising:

a second proximal coupling portion comprising:

a pair of spaced apart proximal arms each comprising a proximal protrusion, wherein said proximal protrusions of said arms protrude one towards the other, wherein a proximal distance between said proximal protrusions is less than a thickness measured from a posterior to an anterior side of said first coupling element, and

a distal pair of opposing hooks disposed co-planarly with said second proximal coupling portion and extending distally and laterally away from said second proximal coupling portion,

wherein said first and said second planar anchoring elements are structured to couple together upon insertion and latching of said proximal protrusions of said second planar anchoring element to said aperture of said first planar anchoring element.

9. The anchor of claim 8, wherein said first and said second planar anchoring elements are structured to couple together, forming an angle of between 70° to 110° therebetween.

10. The anchor of claim 9, wherein said first and said second planar anchoring elements are structured to couple together perpendicularly.

11. A method for manufacturing the anchor of any one of claims 8-10, said method comprising the steps of:

- (a) obtaining said first planar anchoring element and said second planar anchoring element from at least one sheet of superelastic material;
- (b) positioning said first and said second planar anchoring elements with their planes perpendicular to one another; and
- (c) inserting and latching said proximal protrusions of said second planar anchoring element to said aperture of said first planar anchoring element.

12. The method of claim 11, wherein said obtaining is by employing a technique selected from the group consisting of: stamping, cutting, molding and forging.

13. A method for sacrospinous ligament fixation, the method comprising the steps of:

- (a) vaginally introducing an elongated needle and sequentially piercing a vaginal wall and penetrating a sacrospinous ligament with a distal end of said elongated needle;
- (b) ejecting an anchor out of the distal end of said elongated needle such that elongated hook of said anchor extends distally outward from the longitudinal axis of the needle, into the sacrospinous ligament; and
- (c) withdrawing said elongated needle to a position proximal to the vaginal wall; and
- (d) deploying a securing element against a proximal portion of the vaginal wall, to prevent a movement of the anchor in at least one direction, thereby affixing the vaginal wall against the sacrospinous ligament.

14. The method of claim 13, wherein said anchor comprises:

- (a) a first planar anchoring element obtained from a sheet of a superelastic material, and comprising:
 - a first proximal coupling portion having an aperture extending between a posterior side and an anterior side of said proximal coupling portion, and
 - a distal pair of opposing hooks disposed co-planarly with said first proximal coupling portion and extending distally and laterally away in from said first proximal coupling portion; and
- (b) a second planar anchoring element obtained from a sheet of a superelastic material, and comprising:
 - a second proximal coupling portion comprising:
 - a pair of spaced apart proximal arms each comprising a proximal protrusion, wherein said proximal protrusions of said arms protrude one towards the other, wherein a proximal distance between said proximal protrusions is less than a thickness

measured from a posterior to an anterior side of said first coupling element, and

a distal pair of opposing hooks disposed co-planarly with said second proximal coupling portion and extending distally and laterally away from said second proximal coupling portion,

wherein said first and said second planar anchoring elements are coupled together by a latching of said proximal protrusions of said second planar anchoring element to said aperture of said first planar anchoring element.

15. The method of any one of claims 13 and 14, further comprising retrieving the anchor from within the sacrospinous ligament by:

threading a wire that is connected to the anchor, through a tube;

pushing a distal end of the tube into the sacrospinous ligament, such that a proximal portion of the anchor is inserted into the tube;

pulling the wire proximally, such that the anchor retracts into the tube and contracts to fit within the tube; and

withdrawing the tube, that contains the anchor, from the sacrospinous ligament.

16. The method of claims 14 and 15, wherein the proximal portion of the anchor comprises the first and second proximal coupling portions of the anchor.

17. A kit comprising:

the apparatus of any one of claims 1-7; and

a retrieval device comprising a tube having an inner diameter larger than an outer diameter of said superelastic anchor when said superelastic anchor is disposed within said elongated needle.

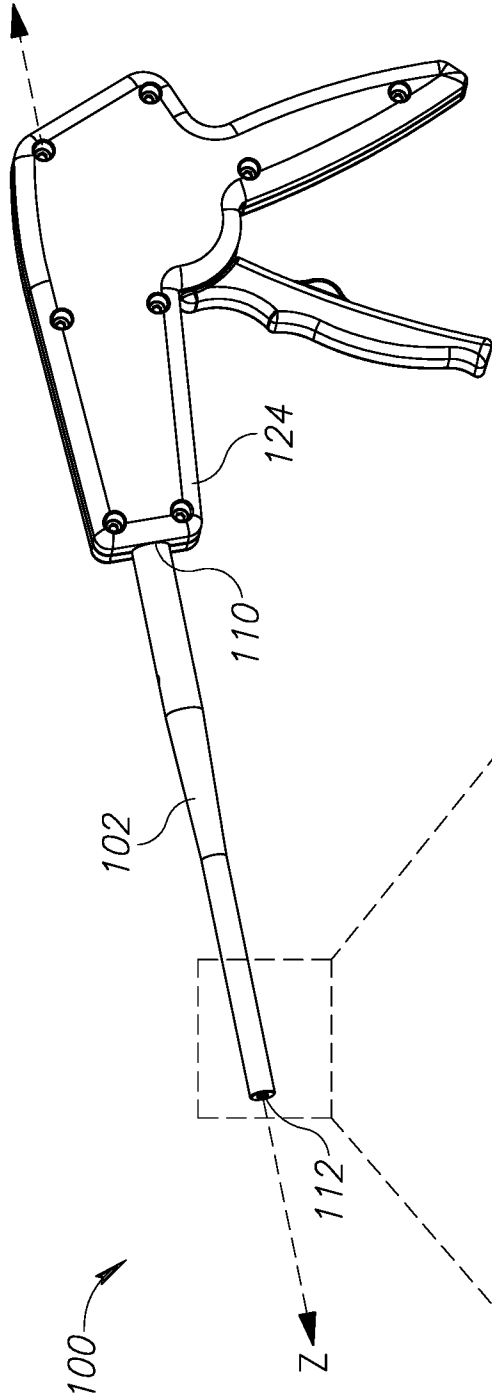


FIG. 1A

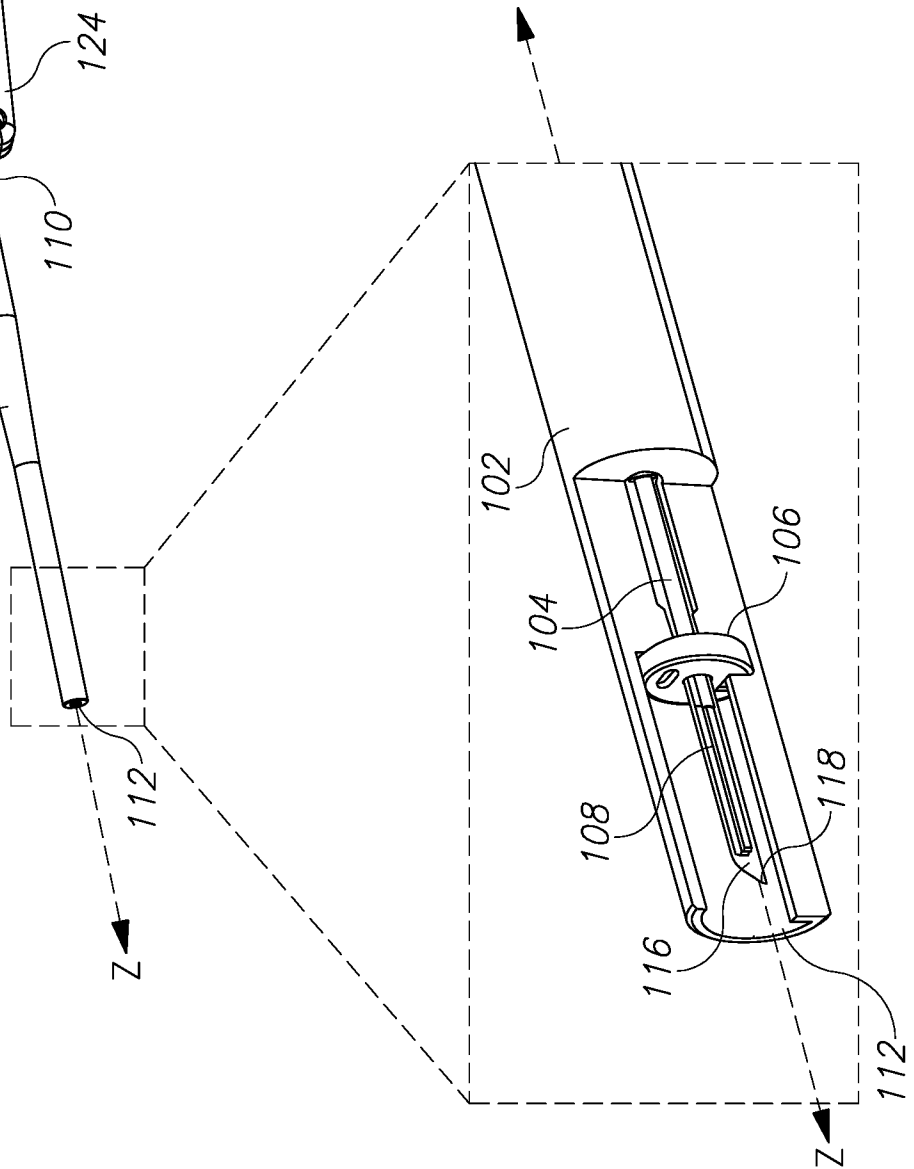


FIG. 1B

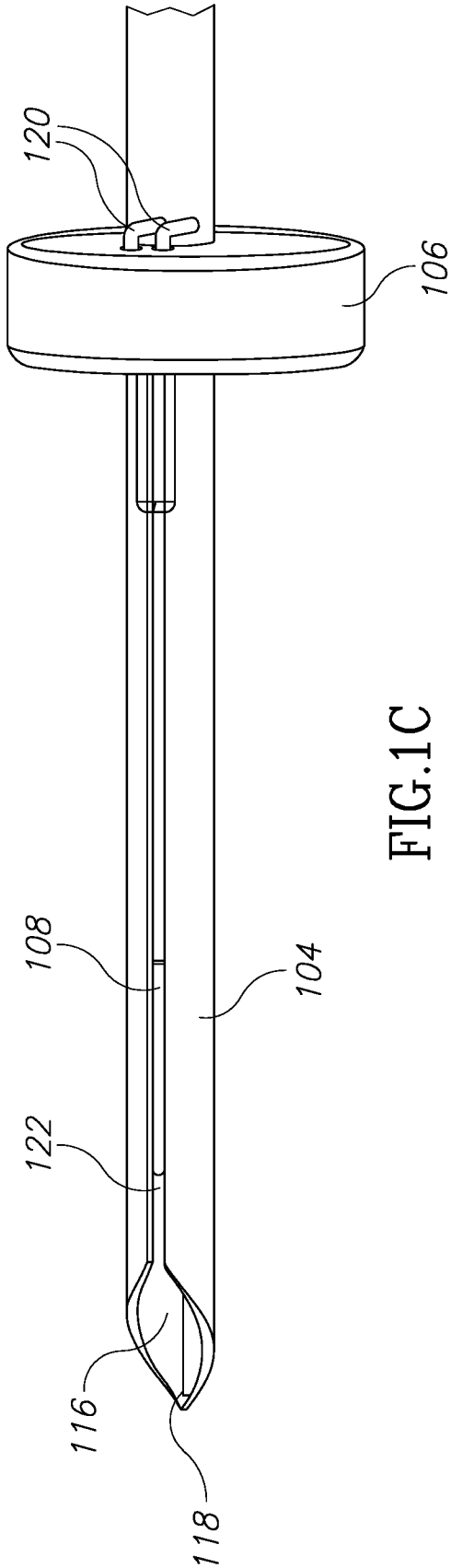


FIG.1C

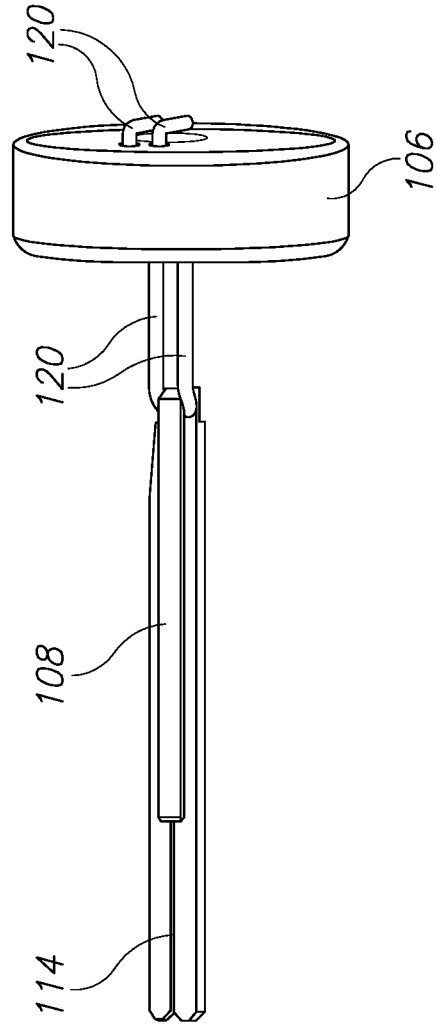


FIG.1D

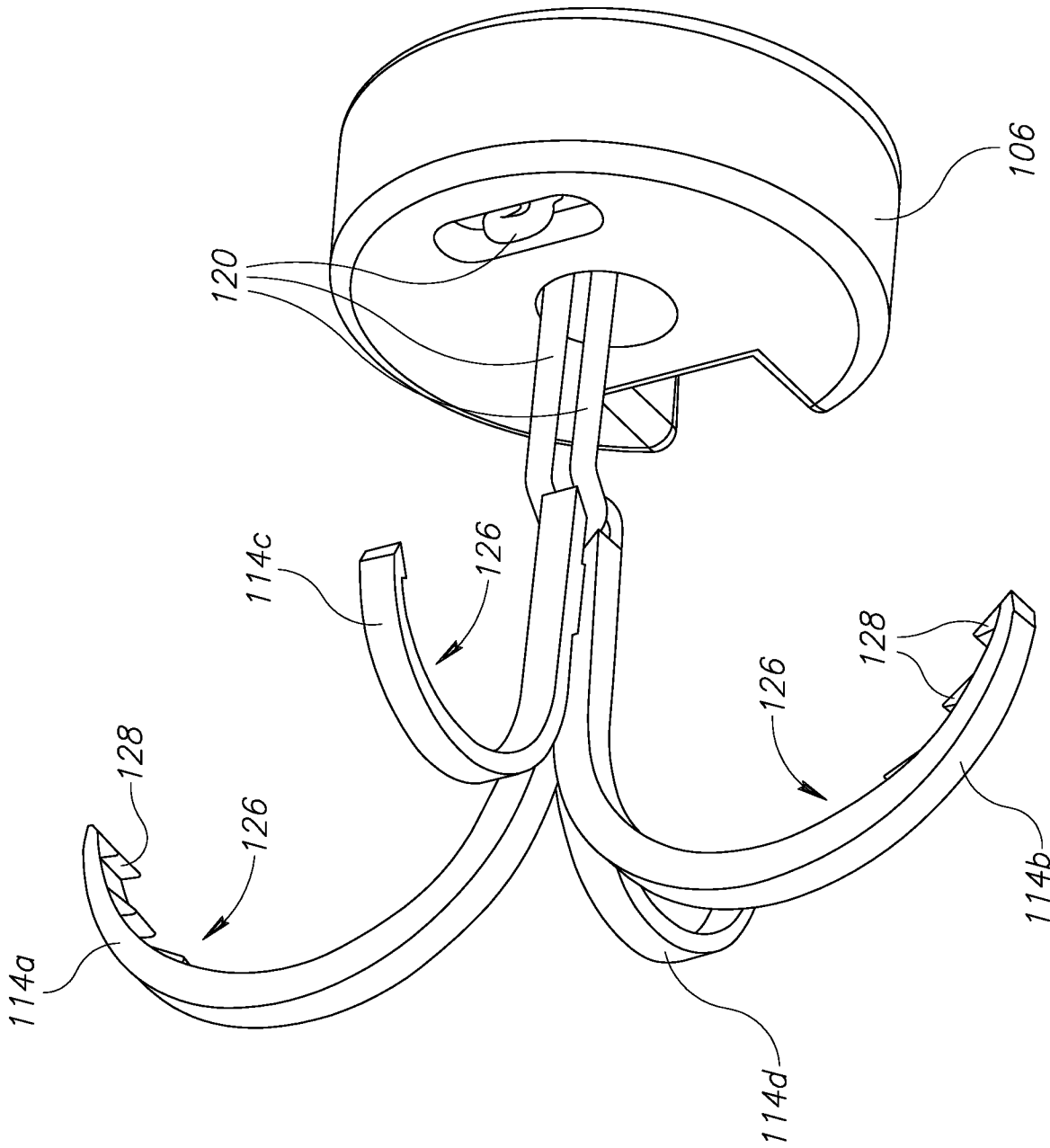


FIG.1E

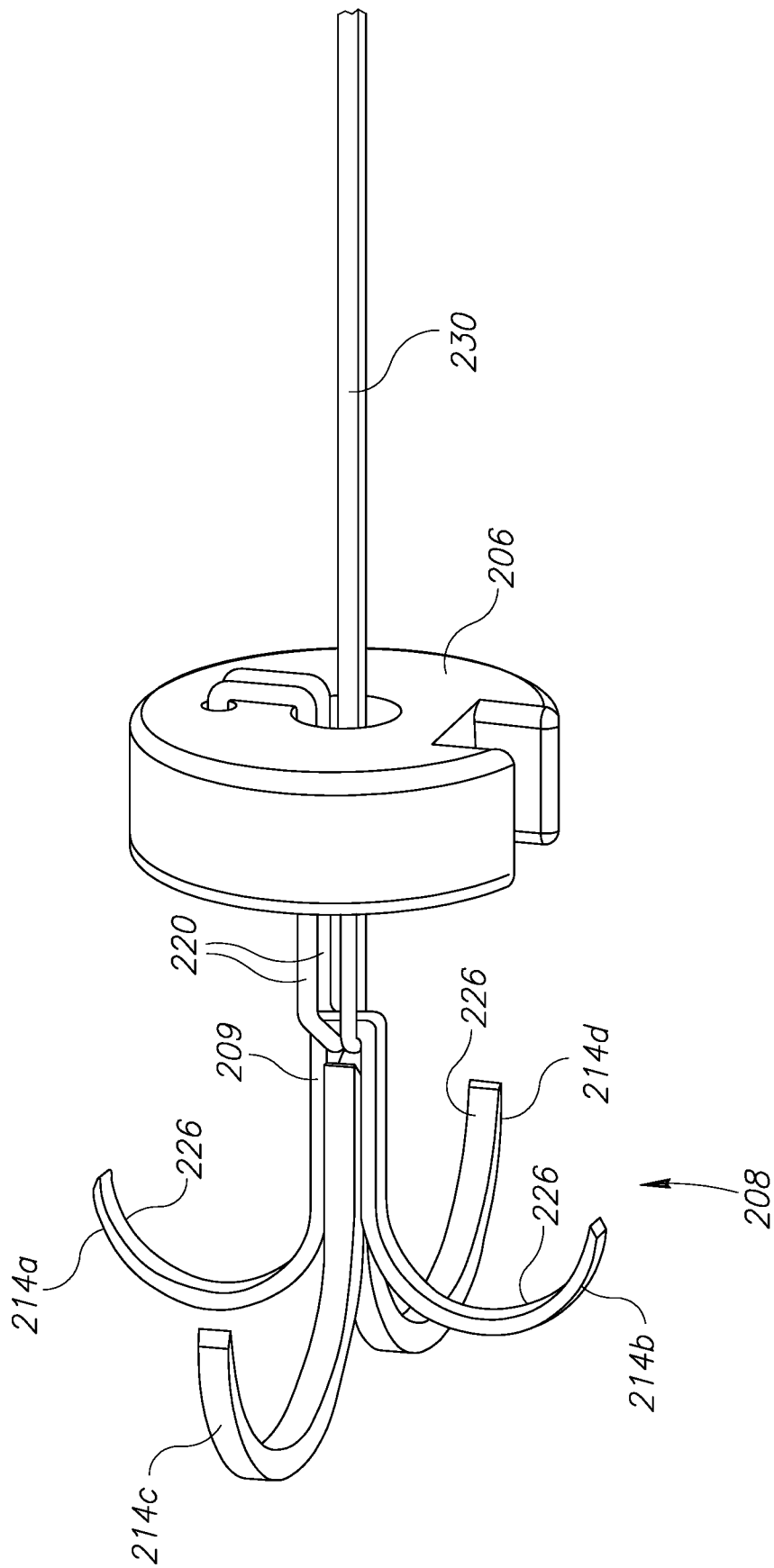
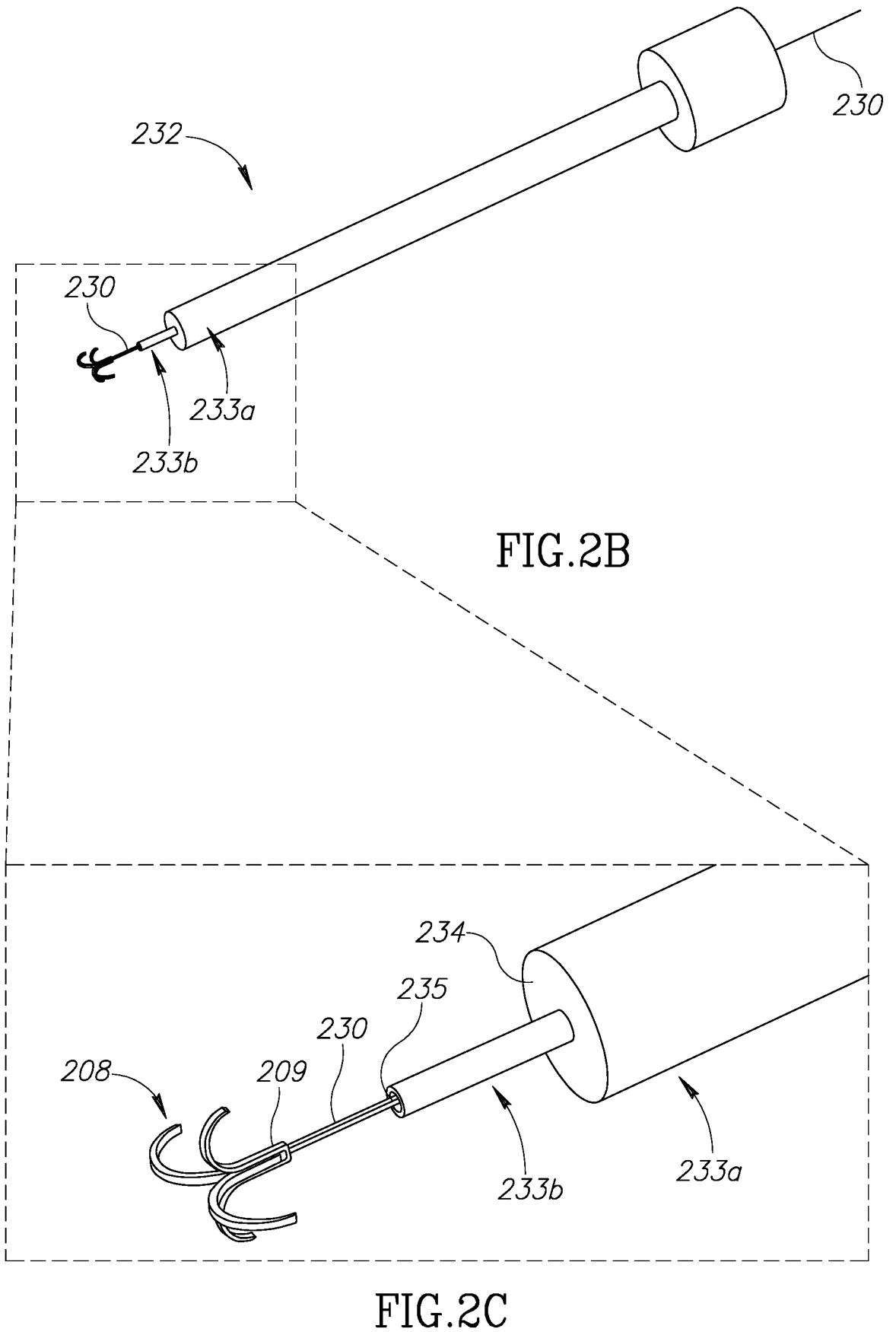


FIG. 2A



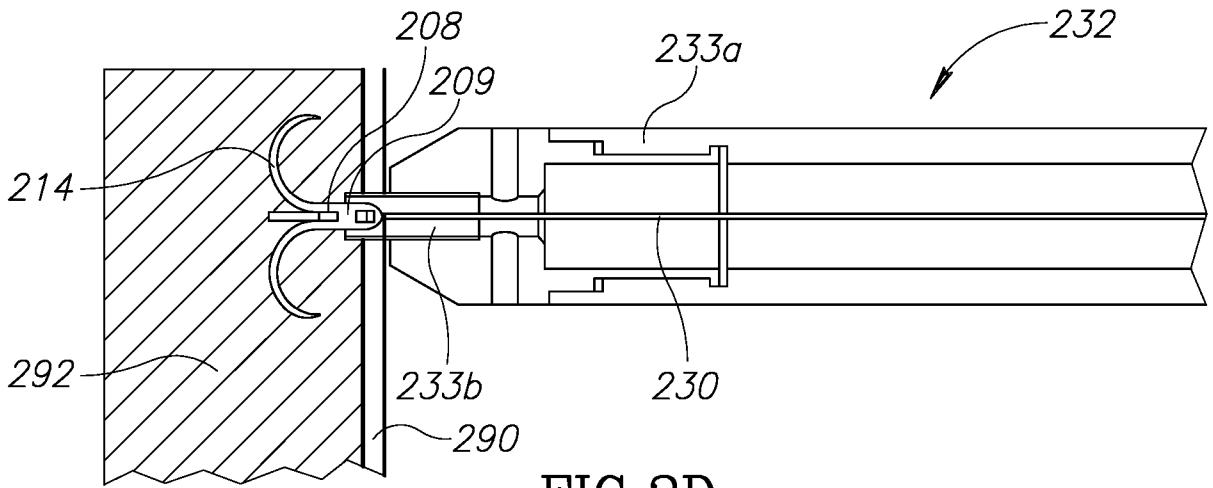


FIG. 2D

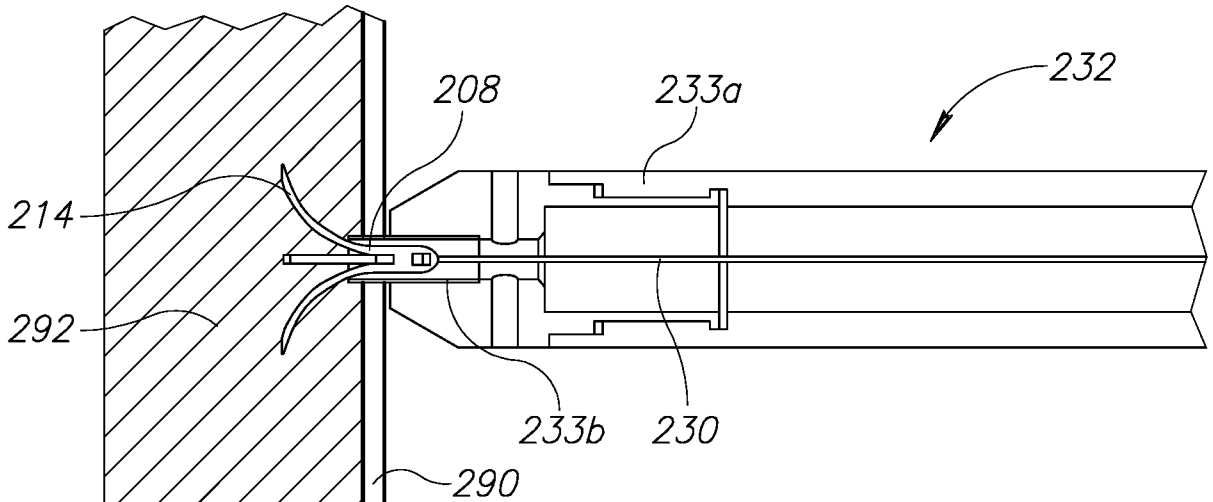


FIG. 2E

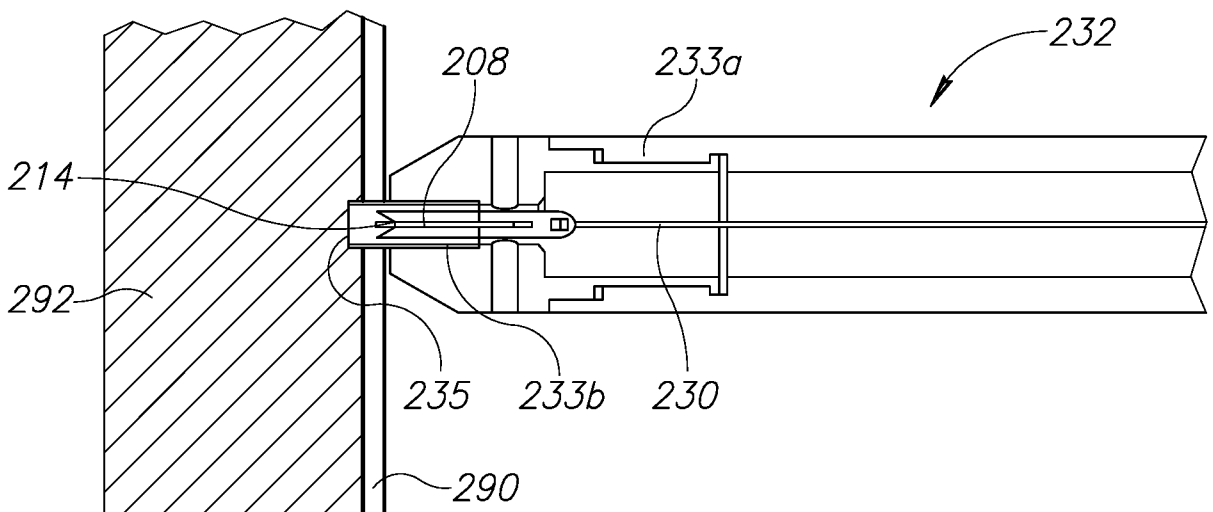


FIG. 2F

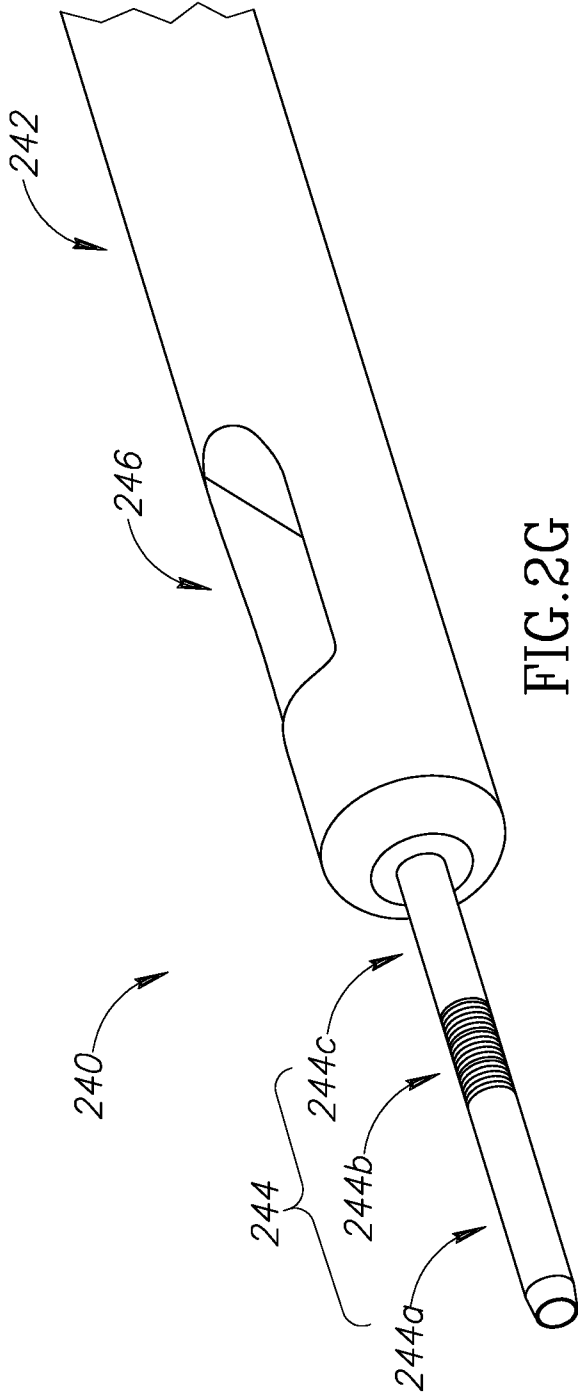


FIG. 2G

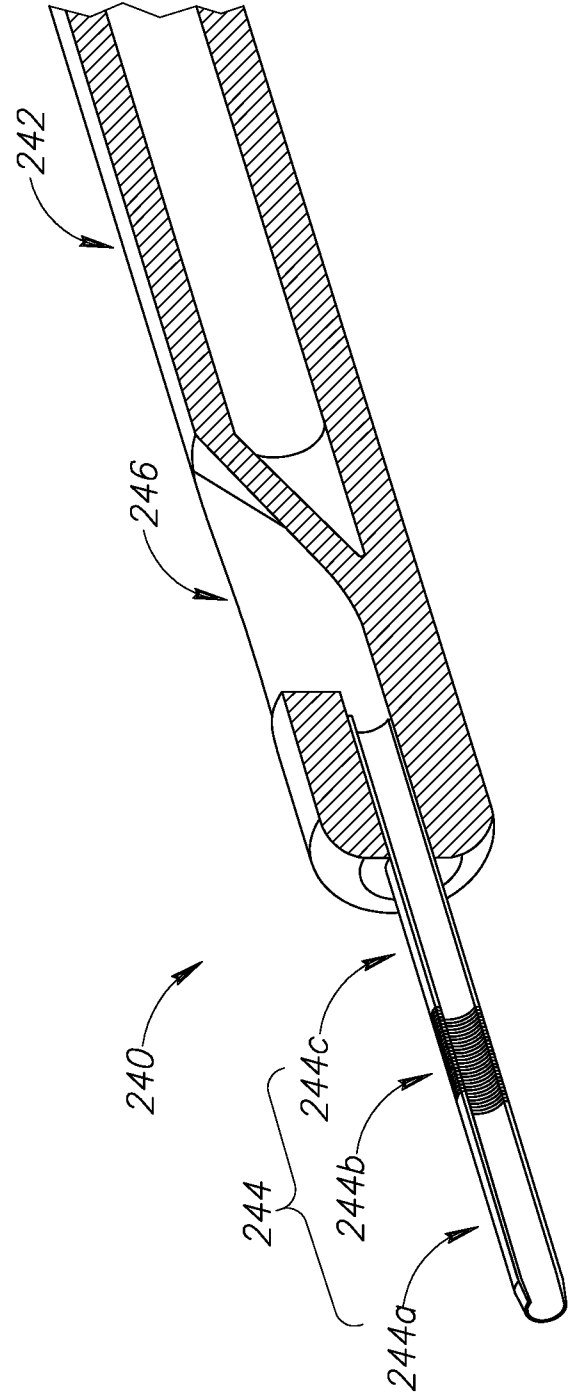


FIG. 2H

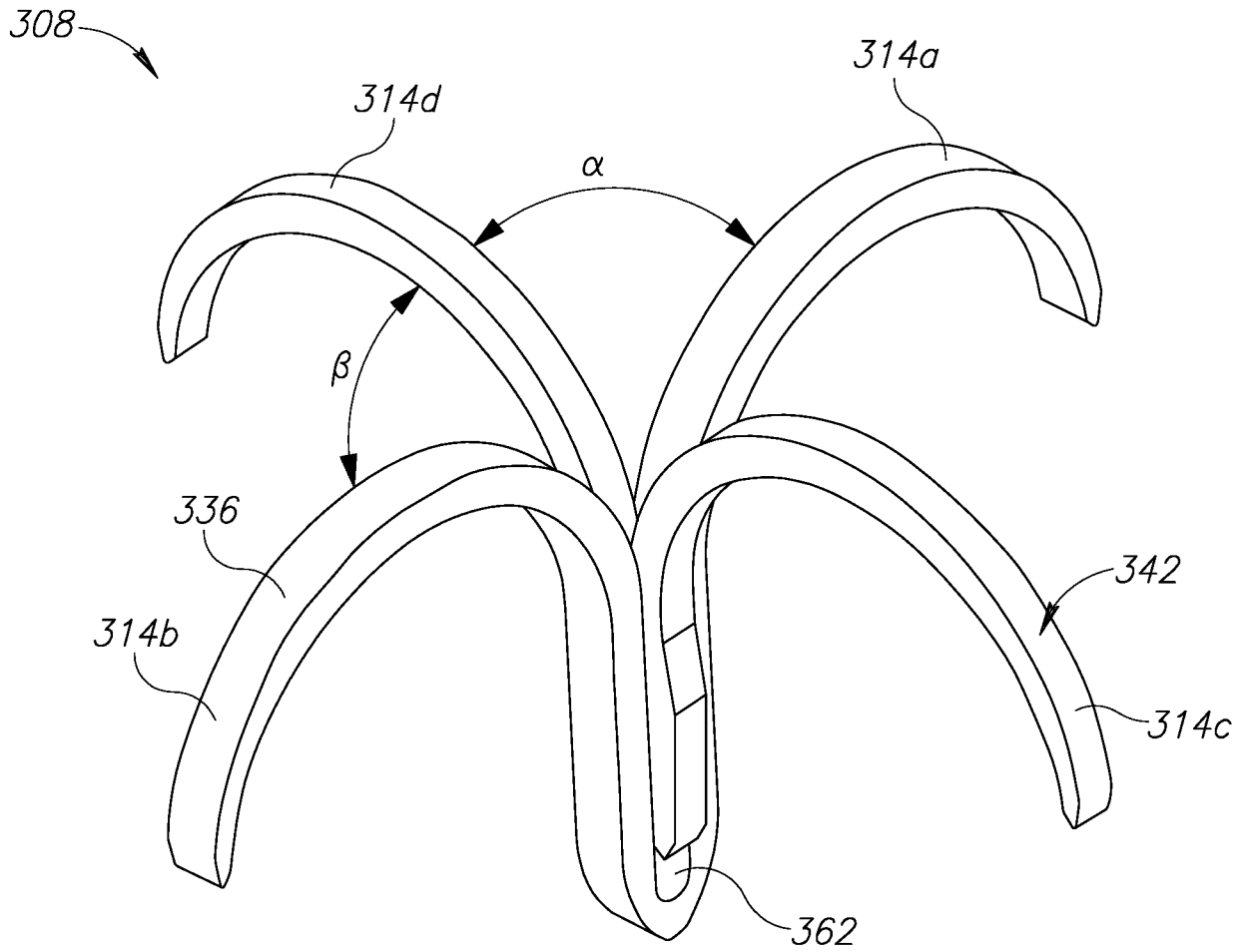


FIG.3A

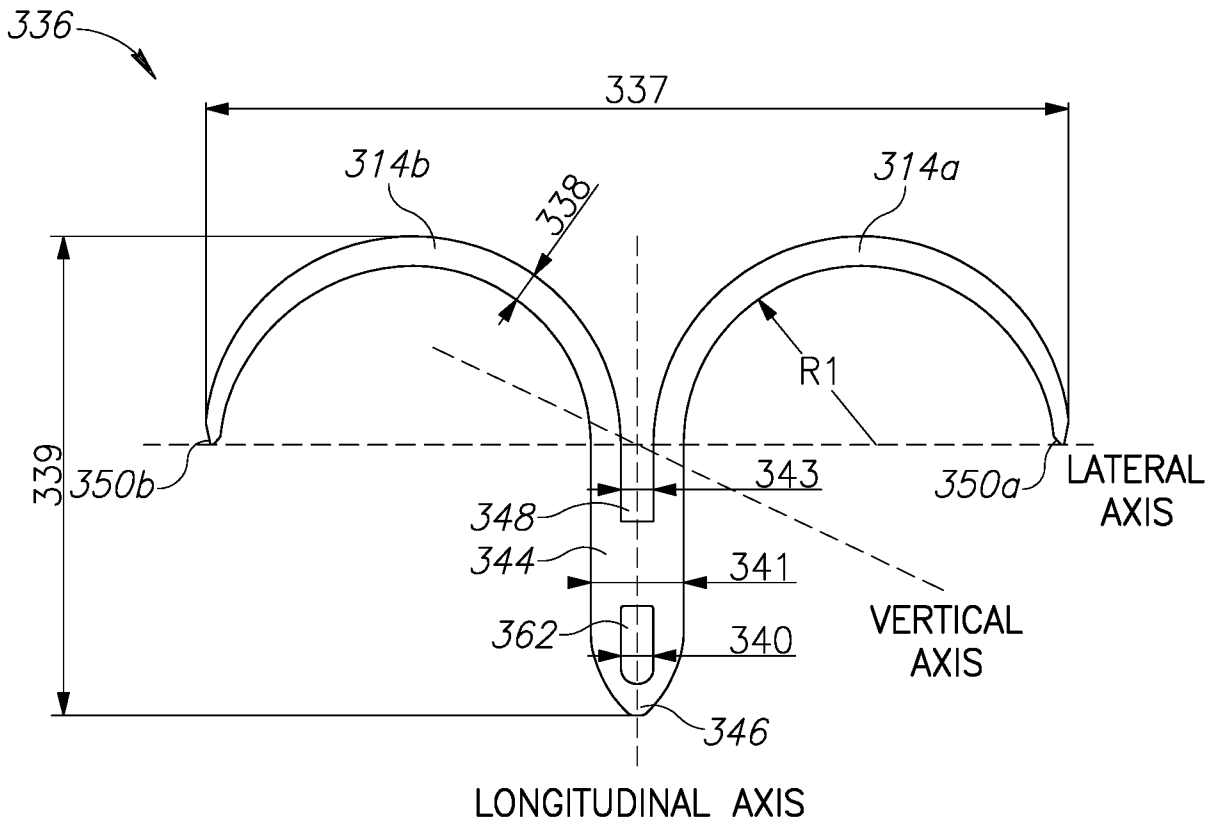


FIG. 3B

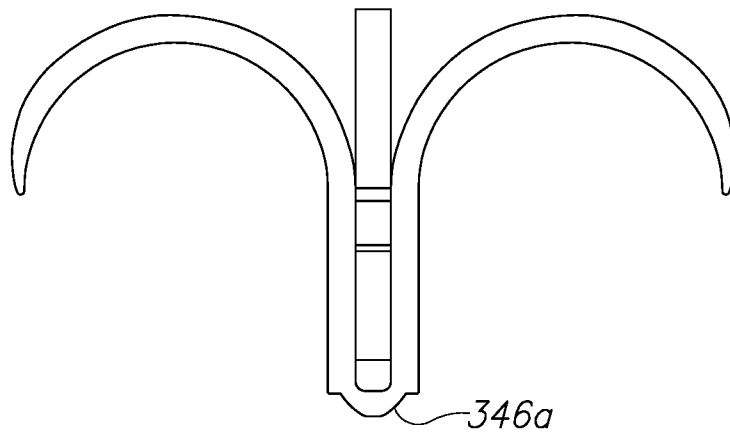


FIG. 3B1

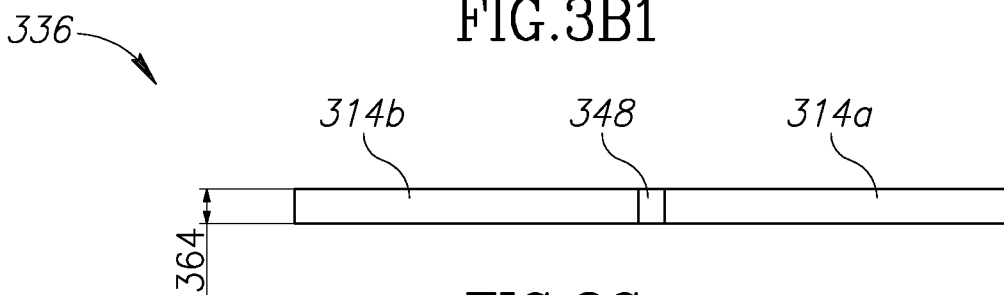


FIG. 3C

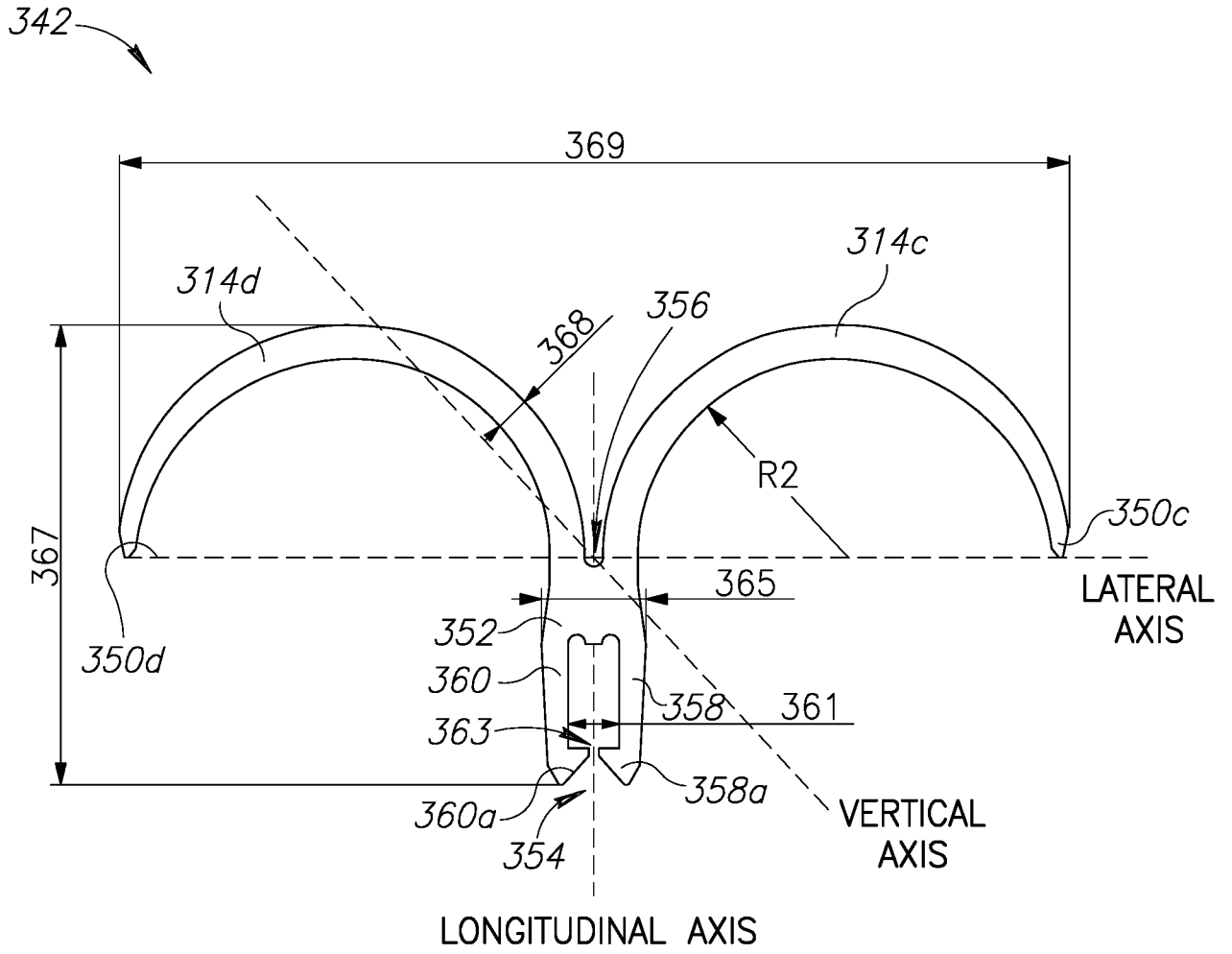


FIG. 3D

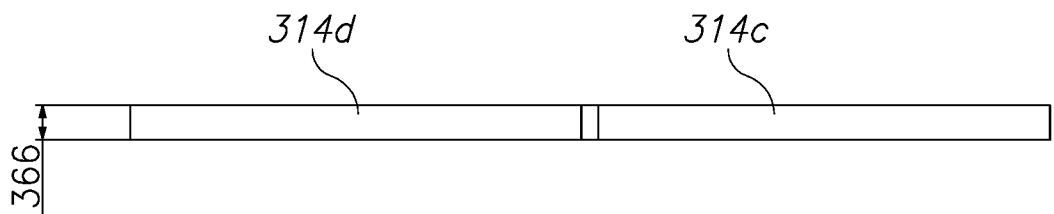


FIG. 3E

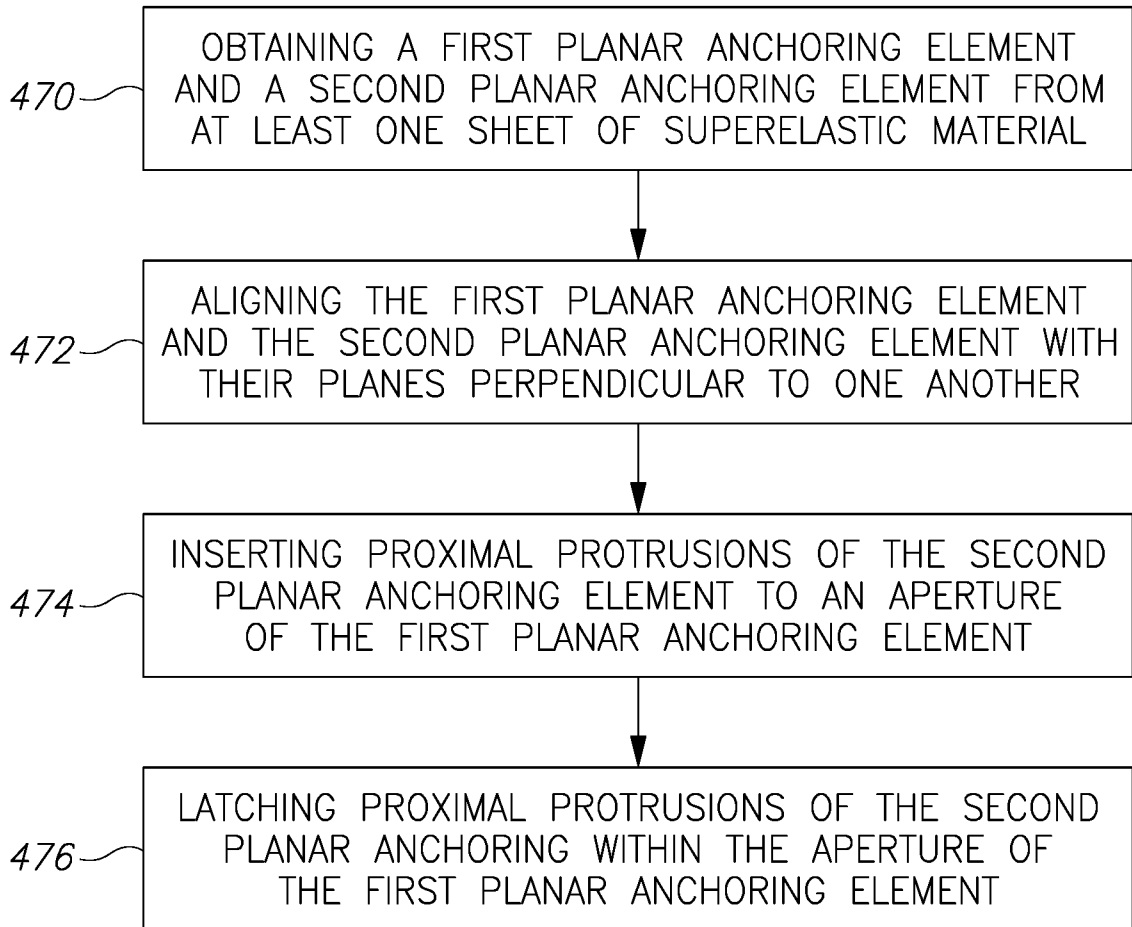


FIG.4

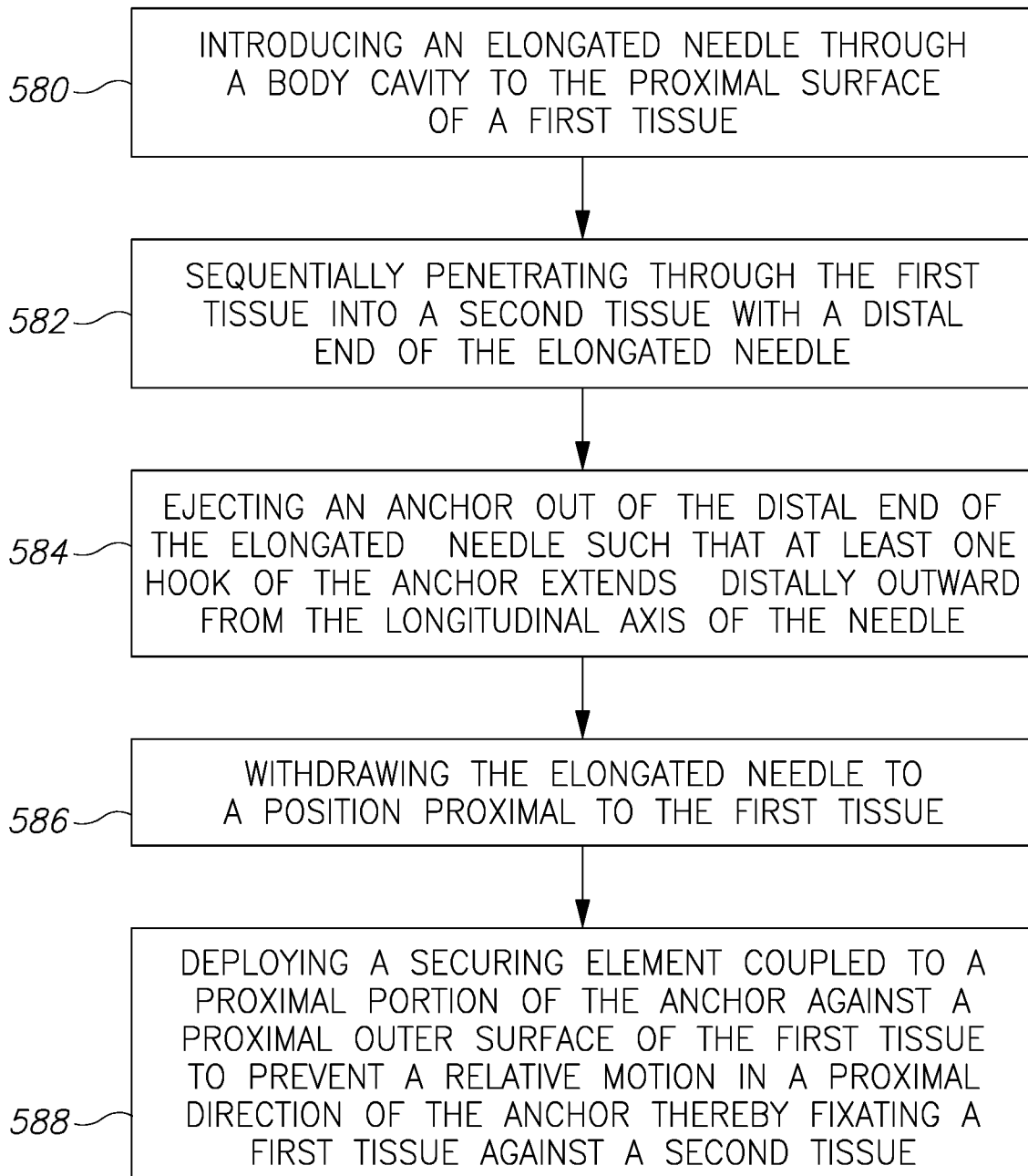


FIG.5

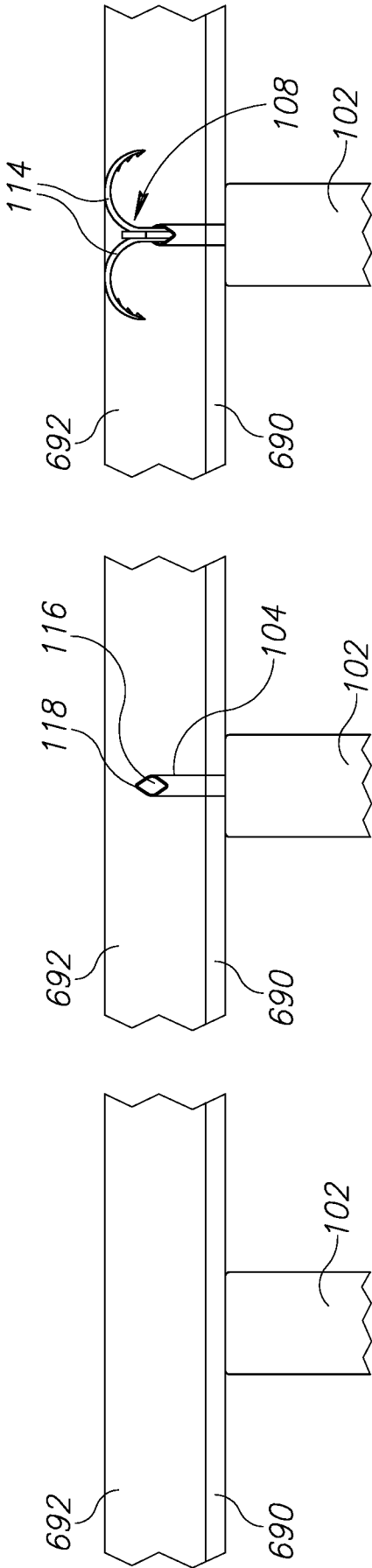


FIG. 6A

FIG. 6B

FIG. 6C

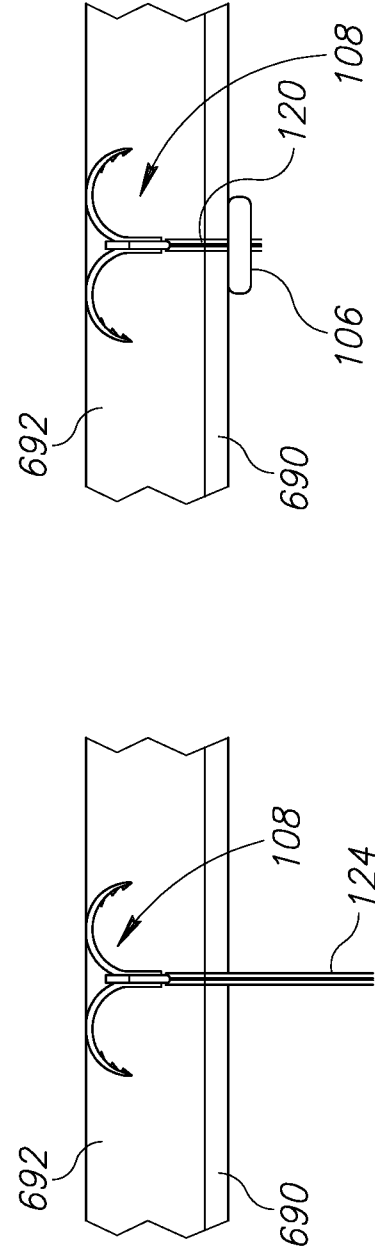


FIG. 6D

FIG. 6E

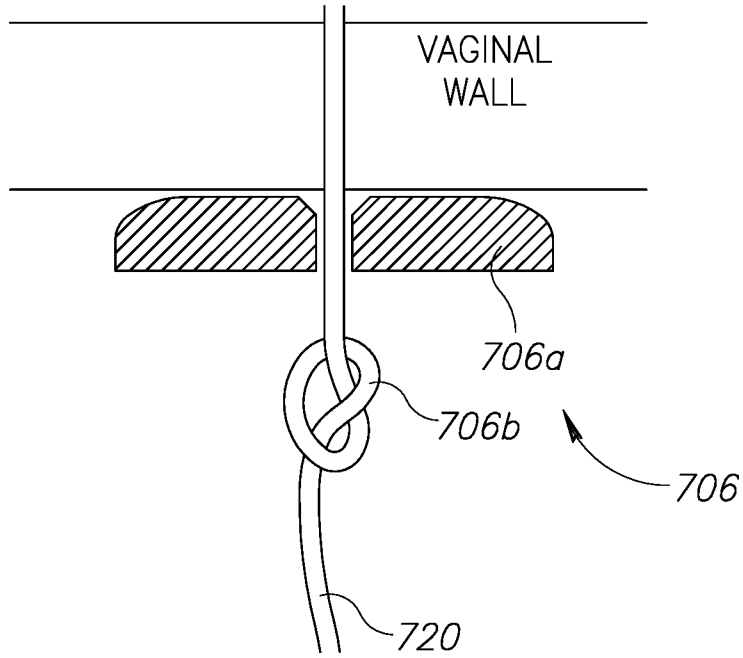


FIG. 7

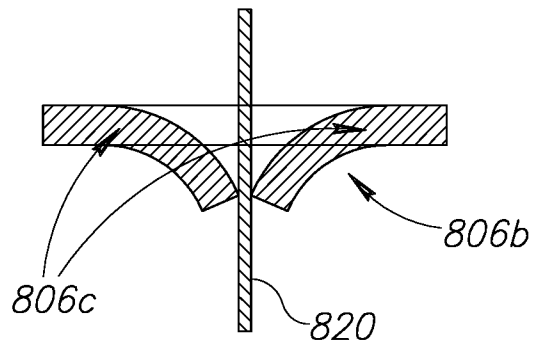


FIG. 8A

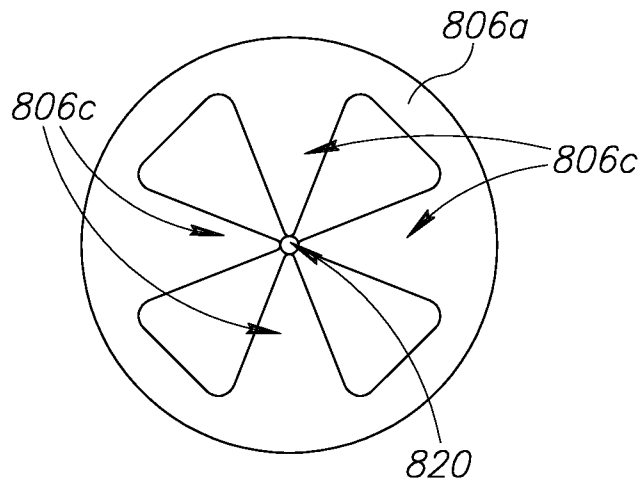


FIG. 8B

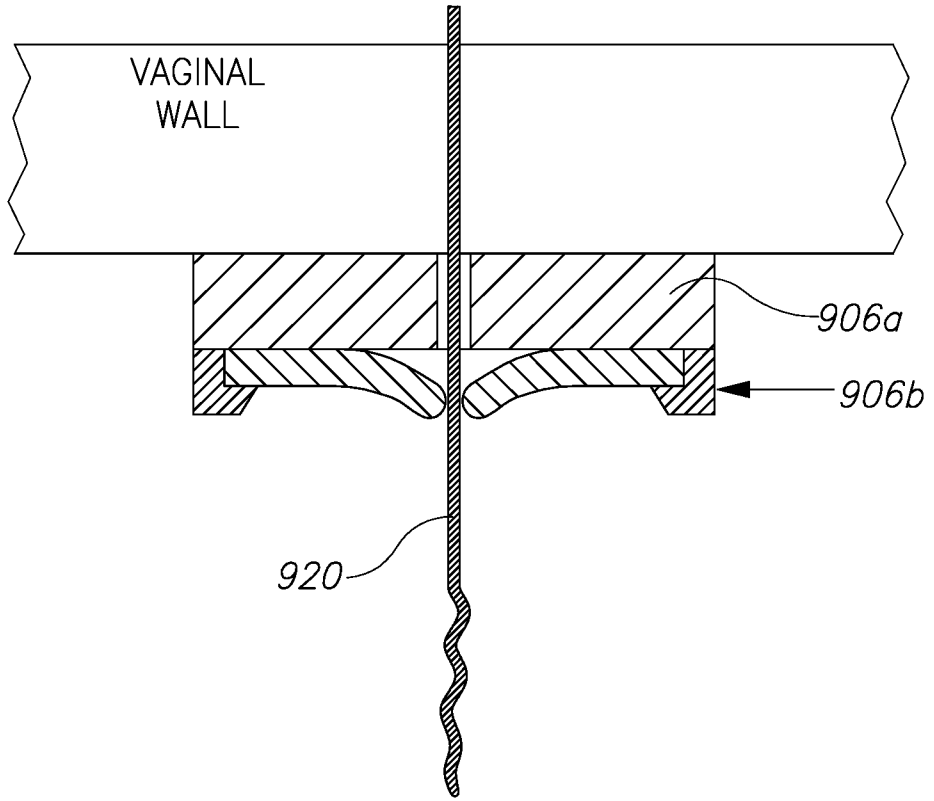


FIG.9A

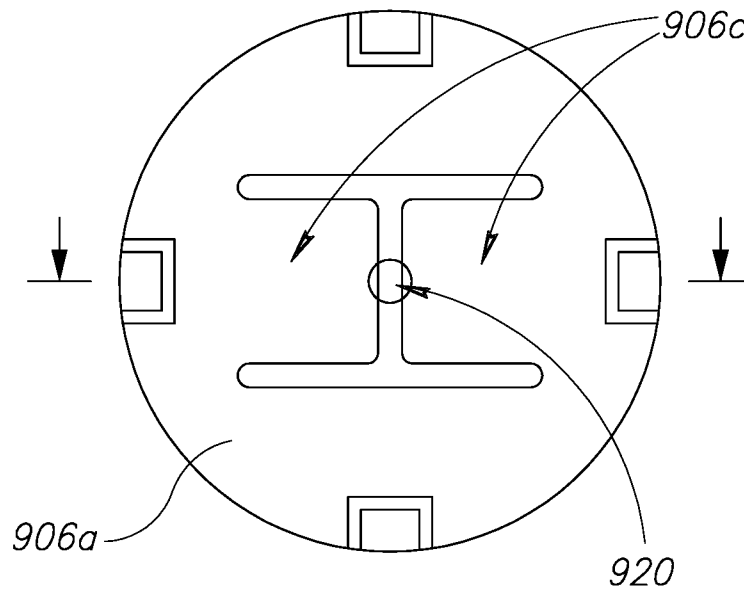


FIG.9B

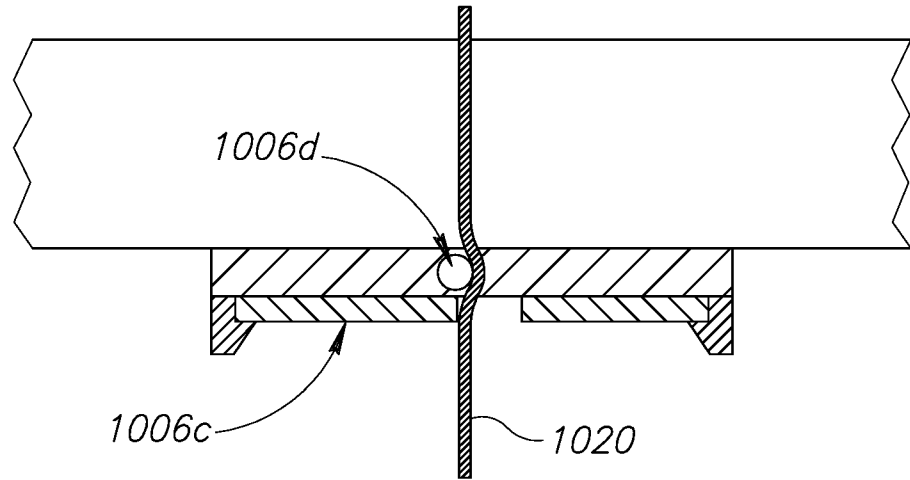


FIG.10A

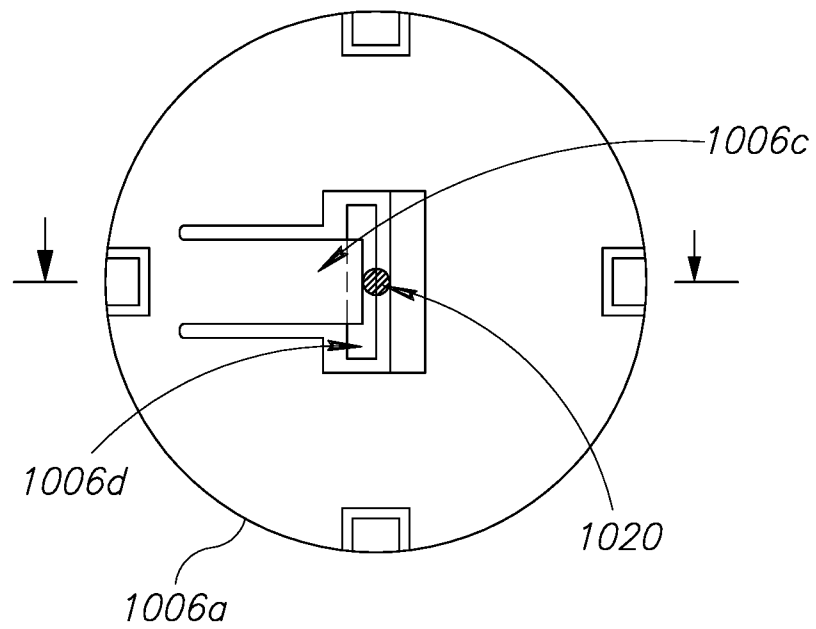


FIG.10B

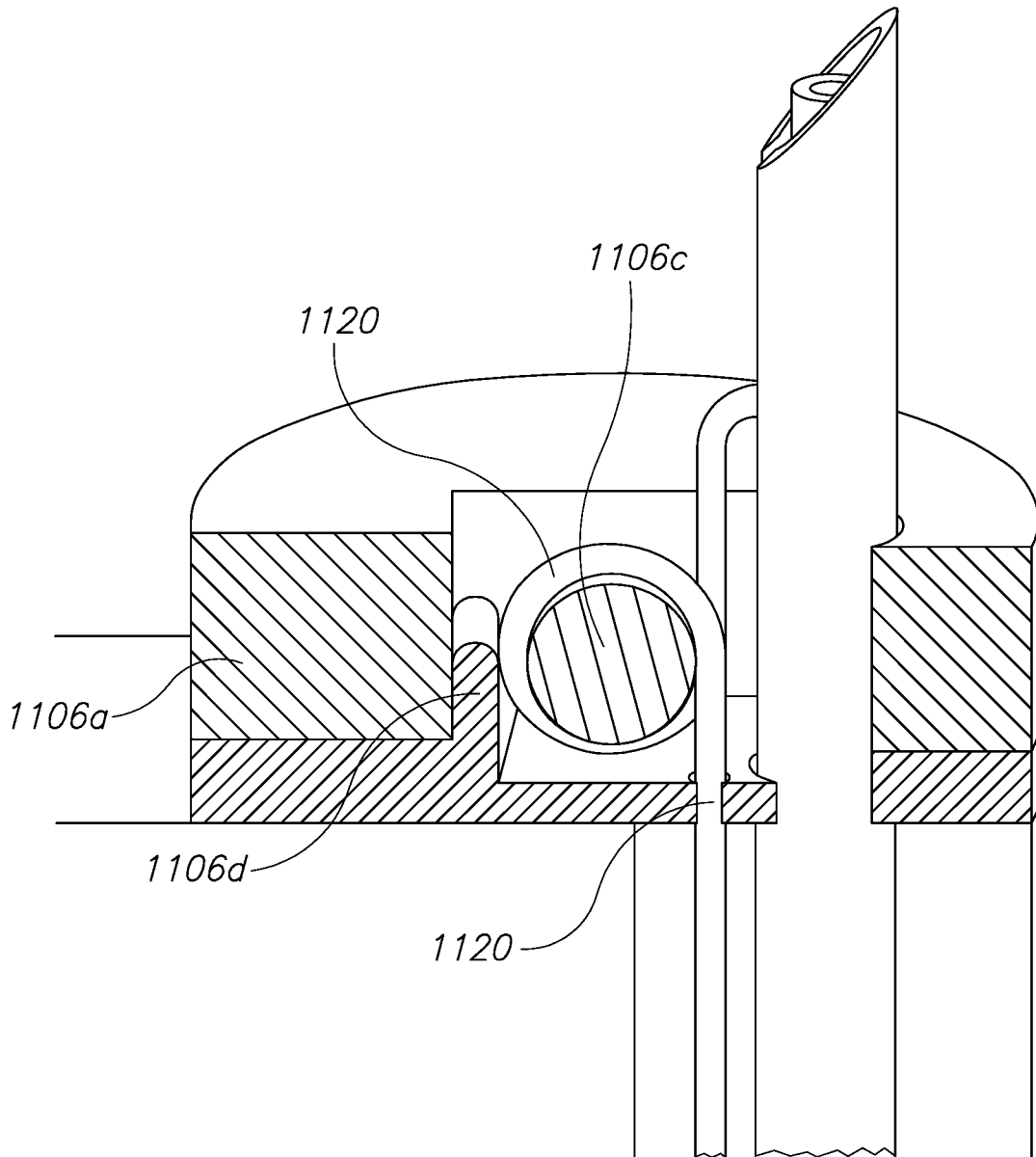


FIG.11

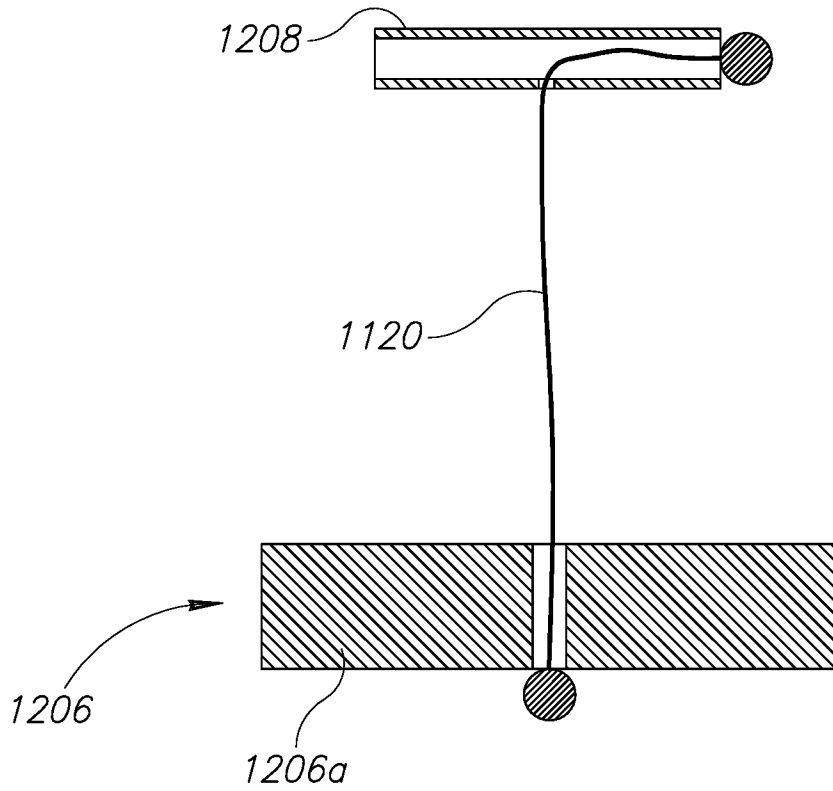


FIG.12

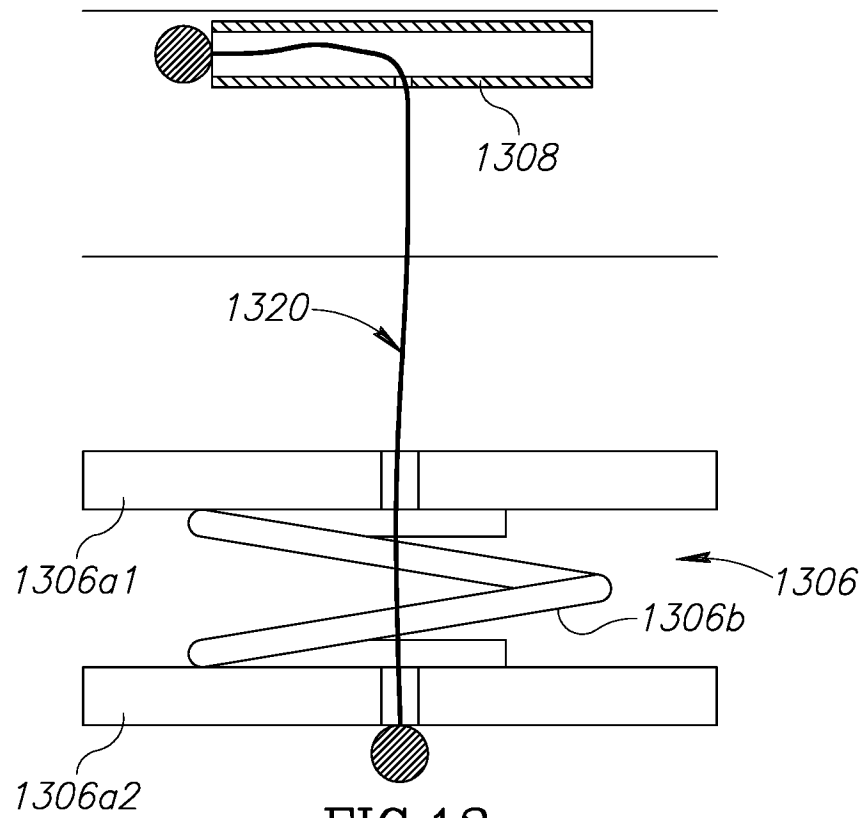


FIG.13

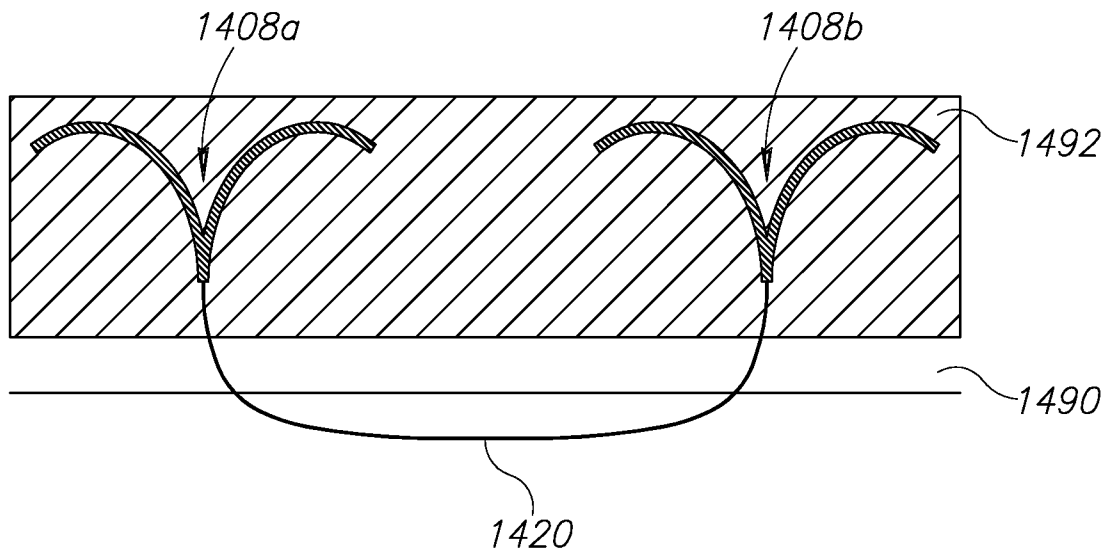


FIG.14

INTERNATIONAL SEARCH REPORT

International application No.

PCT/IL2017/051300

A. CLASSIFICATION OF SUBJECT MATTER
 IPC (2018.01) A61F 6/08, A61B 17/84

According to International Patent Classification (IPC) or to both national classification and IPC

B. FIELDS SEARCHED

Minimum documentation searched (classification system followed by classification symbols)
 IPC (2018.01) A61F 6/08

Documentation searched other than minimum documentation to the extent that such documents are included in the fields searched

Electronic data base consulted during the international search (name of data base and, where practicable, search terms used)
 See extra sheet.

C. DOCUMENTS CONSIDERED TO BE RELEVANT

Category*	Citation of document, with indication, where appropriate, of the relevant passages	Relevant to claim No.
Y	US 2008149109 A1 ZIV ELAN[IL] + 26 Jun 2008 (2008/06/26) paragraphs 0015- 0017, 0019, 0067, 0076	1-12,17
X	ines 16-30 on page 6	8-10
Y	US 5507754 A UNITED STATES SURGICAL CORP?[US] + 16 Apr 1996 (1996/04/16) lines 21-23 on page 2, lines 11-20, 32-35 and 45-65 on page 3, lines 16-33 on page 6	1-7,14-17
X	page 3 and lines 1-25 on page 4	13
X	ines 16-30 on page 6	14
Y	US 6152928 A ETHICON INC?[US] + 28 Nov 2000 (2000/11/28) lines 45-65 on page 2; lines 11-17 on page 4, lines 5-15 and 26-40 on page 5	2,15-17

Further documents are listed in the continuation of Box C. See patent family annex.

* Special categories of cited documents:

"A" document defining the general state of the art which is not considered to be of particular relevance	"T" later document published after the international filing date or priority date and not in conflict with the application but cited to understand the principle or theory underlying the invention
"E" earlier application or patent but published on or after the international filing date	"X" document of particular relevance; the claimed invention cannot be considered novel or cannot be considered to involve an inventive step when the document is taken alone
"L" document which may throw doubts on priority claim(s) or which is cited to establish the publication date of another citation or other special reason (as specified)	"Y" document of particular relevance; the claimed invention cannot be considered to involve an inventive step when the document is combined with one or more other such documents, such combination being obvious to a person skilled in the art
"O" document referring to an oral disclosure, use, exhibition or other means	"&" document member of the same patent family
"P" document published prior to the international filing date but later than the priority date claimed	

Date of the actual completion of the international search 13 Mar 2018	Date of mailing of the international search report 13 Mar 2018
Name and mailing address of the ISA: Israel Patent Office Technology Park, Bldg.5, Malcha, Jerusalem, 9695101, Israel Facsimile No. 972-2-5651616	Authorized officer PERLMAN Noa Telephone No. 972-2-5651706

INTERNATIONAL SEARCH REPORT

International application No.

PCT/IL2017/051300

C (Continuation). DOCUMENTS CONSIDERED TO BE RELEVANT

Category*	Citation of document, with indication, where appropriate, of the relevant passages	Relevant to claim No.
Y	US 2009171143 A1 CHU MICHAEL S H?[US] + 02 Jun 2009 (2009/06/02) paragraphs 0011 and 0388	7-12,14,17
X	paragraph 0388	8-10

INTERNATIONAL SEARCH REPORT
Information on patent family members

International application No.
PCT/IL2017/051300

Patent document cited search report	Publication date	Patent family member(s)	Publication Date
US 2008149109 A1	26 Jun 2008	US 2008149109 A1	26 Jun 2008
		US 8127768 B2	06 Mar 2012
		AT 499902 T	15 Mar 2011
		AT 499903 T	15 Mar 2011
		AU 2005221424 A1	22 Sep 2005
		AU 2005221424 B2	17 Feb 2011
		AU 2006224158 A1	21 Sep 2006
		AU 2006224158 B2	19 Jan 2012
		AU 2006224158 B9	09 Feb 2012
		AU 2007274574 A1	24 Jan 2008
		AU 2007274574 B2	02 May 2013
		BR PI0508168 A	07 Aug 2007
		BR PI0609831 A2	11 Oct 2011
		CA 2560877 A1	22 Sep 2005
		CA 2560877 C	29 Jul 2014
		CA 2600988 A1	21 Sep 2006
		CA 2600988 C	23 Sep 2014
		CA 2796946 A1	22 Sep 2005
		CA 2796946 C	02 Jun 2015
		CN 101001584 A	18 Jul 2007
		CN 100581503 C	20 Jan 2010
		CN 101287422 A	15 Oct 2008
		CN 101287422 B	11 Jan 2012
		CN 101511302 A	19 Aug 2009
		CN 103735336 A	23 Apr 2014
		CN 103735336 B	24 May 2017
		DE 602005026636 D1	14 Apr 2011
		DE 602005026638 D1	14 Apr 2011
		DK 1631211 T3	10 Apr 2017
		EP 1631211 A1	08 Mar 2006
		EP 1631211 B1	04 Jan 2017

INTERNATIONAL SEARCH REPORT
Information on patent family members

International application No.
PCT/IL2017/051300

Patent document cited search report	Publication date	Patent family member(s)	Publication Date
	EP 1727491	A2	06 Dec 2006
	EP 1727491	B1	02 Mar 2011
	EP 1734892	A2	27 Dec 2006
	EP 1734892	B1	02 Mar 2011
	EP 1863399	A2	12 Dec 2007
	EP 1863399	A4	20 Nov 2013
	EP 2046241	A2	15 Apr 2009
	EP 2716256	A1	09 Apr 2014
	ES 2361600	T3	20 Jun 2011
	ES 2362281	T3	30 Jun 2011
	HK 1101498	A1	14 Oct 2011
	IL 156070	D0	23 Dec 2003
	IL 157117	D0	08 Feb 2004
	IL 157117	A	24 Dec 2009
	IL 176883	D0	31 Oct 2006
	IL 176883	A	30 Sep 2013
	IL 219988	D0	28 Jun 2012
	IL 219989	D0	28 Jun 2012
	JP 2007529262	A	25 Oct 2007
	JP 4884368	B2	29 Feb 2012
	JP 2006528047	A	14 Dec 2006
	JP 4904156	B2	28 Mar 2012
	JP 2012005895	A	12 Jan 2012
	JP 5480224	B2	23 Apr 2014
	JP 2014023944	A	06 Feb 2014
	JP 5748813	B2	15 Jul 2015
	JP 2007529261	A	25 Oct 2007
	JP 2008537497	A	18 Sep 2008
	KR 20070117676	A	12 Dec 2007
	MX 345807	B	15 Feb 2017
	MX PA06010653	A	26 Mar 2007

INTERNATIONAL SEARCH REPORT
Information on patent family members

International application No.
PCT/IL2017/051300

Patent document cited search report	Publication date	Patent family member(s)	Publication Date
		MX 2007011339 A	23 Nov 2007
		RU 2006136791 A	27 Apr 2008
		RU 2380064 C2	27 Jan 2010
		RU 2007138489 A	27 Apr 2009
		RU 2396924 C2	20 Aug 2010
		US 2007203429 A1	30 Aug 2007
		US 7771344 B2	10 Aug 2010
		US 2009318750 A1	24 Dec 2009
		US 8435168 B2	07 May 2013
		US 2008281149 A1	13 Nov 2008
		US 8617047 B2	31 Dec 2013
		US 2007244352 A1	18 Oct 2007
		US 8727961 B2	20 May 2014
		US 2013165743 A1	27 Jun 2013
		US 8911345 B2	16 Dec 2014
		US 2015133725 A1	14 May 2015
		US 9339361 B2	17 May 2016
		US 2014073846 A1	13 Mar 2014
		US 9549798 B2	24 Jan 2017
		US 2014039245 A1	06 Feb 2014
		US 9737389 B2	22 Aug 2017
		US 2017312067 A1	02 Nov 2017
		WO 2004103213 A1	02 Dec 2004
		WO 2005087153 A2	22 Sep 2005
		WO 2005087153 A3	01 Dec 2005
		WO 2005087154 A2	22 Sep 2005
		WO 2005087154 A3	27 Oct 2005
		WO 2006097935 A2	21 Sep 2006
		WO 2006097935 A3	01 Mar 2007
		WO 2008010214 A2	24 Jan 2008
		WO 2008010214 A3	19 Jun 2008

INTERNATIONAL SEARCH REPORT
Information on patent family members

International application No. PCT/IL2017/051300
--

Patent document cited search report	Publication date	Patent family member(s)	Publication Date
		ZA 200608650 B	28 May 2008
		ZA 200708595 B	29 Oct 2008
US 5507754 A	16 Apr 1996	US 5507754 A	16 Apr 1996
		CA 2124651 A1	21 Feb 1995
		CA 2124651 C	28 Sep 2004
		DE 69430163 D1	25 Apr 2002
		DE 69430163 T2	31 Oct 2002
		EP 0643945 A2	22 Mar 1995
		EP 0643945 A3	02 Aug 1995
		EP 0643945 B1	20 Mar 2002
		EP 1159920 A2	05 Dec 2001
		EP 1159920 A3	24 Apr 2013
		ES 2170756 T3	16 Aug 2002
		US 5549617 A	27 Aug 1996
		US 5562689 A	08 Oct 1996
US 6152928 A	28 Nov 2000	US 6152928 A	28 Nov 2000
		DE 60027940 D1	22 Jun 2006
		DE 60027940 T2	11 Jan 2007
		DE 60045401 D1	27 Jan 2011
		EP 1033115 A2	06 Sep 2000
		EP 1033115 A3	16 Aug 2001
		EP 1033115 B1	17 May 2006
		EP 1782762 A2	09 May 2007
		EP 1782762 A3	17 Dec 2008
		EP 1782762 B1	15 Dec 2010
		EP 1782762 B8	02 Feb 2011
US 2009171143 A1	02 Jun 2009	US 2009171143 A1	02 Jul 2009
		US 9282958 B2	15 Mar 2016

INTERNATIONAL SEARCH REPORT
Information on patent family members

International application No.
PCT/IL2017/051300

Patent document cited search report	Publication date	Patent family member(s)	Publication Date
		AU 2008345196 A1	09 Jul 2009
		AU 2008345196 B2	16 Oct 2014
		AU 2015200151 A1	05 Feb 2015
		AU 2015200151 B2	11 May 2017
		CA 2710519 A1	09 Jul 2009
		CA 2710519 C	29 Mar 2016
		EP 2242445 A2	27 Oct 2010
		EP 2242445 B1	17 May 2017
		ES 2637333 T3	11 Oct 2017
		JP 2011508632 A	17 Mar 2011
		JP 5352595 B2	27 Nov 2013
		US 2009171142 A1	02 Jul 2009
		US 8430807 B2	30 Apr 2013
		US 2013231525 A1	05 Sep 2013
		WO 2009086369 A2	09 Jul 2009
		WO 2009086369 A3	11 Feb 2010
		WO 2009086385 A2	09 Jul 2009
		WO 2009086385 A3	27 Aug 2009

INTERNATIONAL SEARCH REPORT

International application No.

PCT/IL2017/051300

B. FIELDS SEARCHED:

* Electronic data base consulted during the international search (name of data base and, where practicable, search terms used)

Databases consulted: NCBI, Esp@cenet, Google Patents, MEDLINE, PubMed, Google Scholar

Search terms used: sacrospinous ligament fixation, ligament fixation device, sacrospinous ligament fixation apparatus, sacrospinous ligament fixation anchor, non surgical ligament fixation apparatus