



US00D719240S

(12) **United States Design Patent**  
**Hanna et al.**

(10) **Patent No.:** **US D719,240 S**

(45) **Date of Patent:** **\*\* Dec. 9, 2014**

(54) **SHOWER DEVICE**

- (71) Applicant: **Kohler Co.**, Kohler, WI (US)
- (72) Inventors: **Kenneth Scott Hanna**, Bellingham, WA (US); **Gregory De Swarte**, Sheboygan, WI (US); **Leila Michelle Rubin**, New York, NY (US); **Eugenio Duarte**, Sheboygan Falls, WI (US)
- (73) Assignee: **Kohler Co.**, Kohler, WI (US)
- (\*\*) Term: **14 Years**

- (21) Appl. No.: **29/465,138**
- (22) Filed: **Aug. 23, 2013**
- (51) **LOC (10) Cl.** ..... **23-01**
- (52) **U.S. Cl.**  
USPC ..... **D23/229**
- (58) **Field of Classification Search**  
CPC ..... B05B 1/00; B05B 1/18  
USPC ..... D23/213, 223, 229, 230; 4/615;  
239/282, 283  
See application file for complete search history.

(56) **References Cited**

U.S. PATENT DOCUMENTS

|           |   |        |              |
|-----------|---|--------|--------------|
| 3,088,675 | A | 5/1963 | Bone         |
| 3,608,650 | A | 9/1971 | Matsusaka    |
| 3,944,140 | A | 3/1976 | Caton et al. |
| 3,963,179 | A | 6/1976 | Tomaro       |

(Continued)

FOREIGN PATENT DOCUMENTS

|    |          |         |
|----|----------|---------|
| DE | 10108248 | 8/2002  |
| EP | 0348359  | 12/1989 |

(Continued)

OTHER PUBLICATIONS

Shower head photos, known at least as early as Mar. 12, 2012.

(Continued)

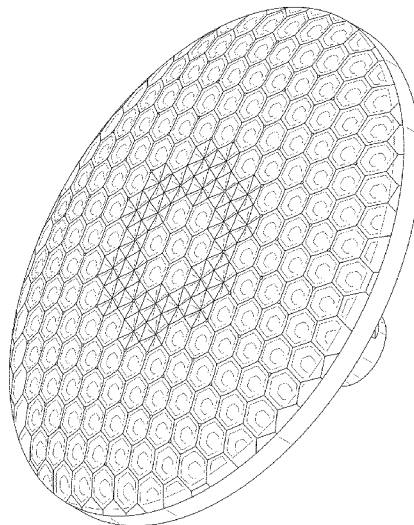
*Primary Examiner* — Robin V Webster  
(74) *Attorney, Agent, or Firm* — Michael Best & Friedrich LLP

(57) **CLAIM**  
We claim the ornamental design for a shower device, as shown and described.

**DESCRIPTION**

FIG. 1 is a front perspective view of a shower device, such as a shower head.  
 FIG. 2 is a rear perspective view of the shower device shown in FIG. 1.  
 FIG. 3 is a front view of the shower device shown in FIG. 1.  
 FIG. 4 is a rear view of the shower device shown in FIG. 1.  
 FIG. 5 is a left side view of the shower device shown in FIG. 1, the right side view being substantially a mirror image thereof.  
 FIG. 6 is a top view of the shower device shown in FIG. 1, the bottom view being substantially a mirror image thereof; and,  
 FIG. 7 is a front perspective cross-sectional view of the shower device shown in FIG. 1 to illustrate contours of the shower device.  
 One or more side and/or bottom views of a shower device are mirror images of another view and, therefore, have been omitted.  
 The cross-sectional view is provided to illustrate contours of the shower device. The interior of the cross-sectional view forms no part of the claimed design.  
 Any broken line showing of the environment or a boundary line is for illustrative purposes only and forms no part of the claimed design.

**1 Claim, 7 Drawing Sheets**



(56)

References Cited

U.S. PATENT DOCUMENTS

4,272,022 A 6/1981 Evans  
 D267,581 S 1/1983 Mackay et al.  
 4,545,083 A 10/1985 Searson  
 4,561,593 A 12/1985 Cammack et al.  
 4,618,100 A 10/1986 White et al.  
 4,733,818 A 3/1988 Aghnides  
 4,733,819 A 3/1988 Aghnides  
 4,964,181 A 10/1990 Alpert  
 4,998,673 A 3/1991 Pilolla  
 5,215,258 A 6/1993 Jurisch  
 5,329,650 A 7/1994 Zaccai et al.  
 5,518,181 A 5/1996 Shames et al.  
 5,535,779 A 7/1996 Huang  
 5,664,015 A 9/1997 Ford et al.  
 5,779,146 A 7/1998 Cutler  
 5,862,985 A 1/1999 Neibrook et al.  
 6,021,960 A 2/2000 Kehat  
 D423,083 S 4/2000 Haug et al.  
 D424,160 S 5/2000 Haug et al.  
 D424,161 S 5/2000 Haug et al.  
 D424,162 S 5/2000 Haug et al.  
 D424,163 S 5/2000 Haug et al.  
 D424,164 S 5/2000 Haug et al.  
 6,061,457 A 5/2000 Stockhamer  
 D428,110 S 7/2000 Haug et al.  
 6,090,210 A 7/2000 Ballance et al.  
 6,126,290 A 10/2000 Veigel  
 D439,305 S 3/2001 Slothower  
 D440,277 S 4/2001 Slothower  
 D440,278 S 4/2001 Slothower  
 D443,027 S 5/2001 Kollmann et al.  
 D443,029 S 5/2001 Kollmann et al.  
 6,263,524 B1 7/2001 Abdul  
 D457,598 S 5/2002 Storti et al.  
 6,439,472 B1 8/2002 Lin et al.  
 6,444,039 B1 9/2002 Nguyen  
 D465,263 S \* 11/2002 Tse ..... D23/229  
 D465,551 S \* 11/2002 Tse ..... D23/229  
 D466,188 S \* 11/2002 Tse ..... D23/229  
 D489,793 S 5/2004 Haug et al.  
 D492,004 S 6/2004 Haug et al.  
 D492,006 S 6/2004 Haug et al.  
 D492,008 S 6/2004 Haug et al.  
 D495,776 S 9/2004 Blomstrom  
 D497,974 S 11/2004 Haug et al.  
 D498,514 S 11/2004 Haug et al.  
 6,879,818 B2 4/2005 Wageneck  
 D506,924 S 7/2005 Berner  
 D509,424 S 9/2005 Berner  
 D511,809 S 11/2005 Haug et al.  
 D513,525 S 1/2006 Haug et al.  
 6,983,898 B2 1/2006 Clark  
 7,048,210 B2 5/2006 Clark  
 7,100,845 B1 9/2006 Hsieh  
 7,111,798 B2 9/2006 Thomas et al.  
 7,178,746 B2 2/2007 Gross  
 D551,737 S 9/2007 Haug et al.  
 7,269,862 B2 9/2007 Rooke et al.  
 D557,763 S 12/2007 Schönherr et al.  
 D557,764 S 12/2007 Schönherr et al.  
 D557,765 S 12/2007 Schönherr et al.  
 D562,937 S 2/2008 Schönherr et al.  
 D562,938 S 2/2008 Blessing et al.  
 D576,251 S 9/2008 Schönherr et al.  
 D590,477 S 4/2009 Schoenherr et al.  
 D590,916 S 4/2009 Schoenherr et al.

D590,917 S 4/2009 Schoenherr et al.  
 D592,276 S 5/2009 Schoenherr et al.  
 7,578,453 B1 8/2009 Wilson  
 7,740,186 B2 6/2010 Macan et al.  
 7,762,479 B2 7/2010 Li  
 D630,706 S \* 1/2011 Giggs et al. .... D23/213  
 7,918,408 B2 4/2011 Tshieh  
 D638,100 S \* 5/2011 Juan ..... D23/213  
 7,946,512 B2 5/2011 Schorn  
 8,028,935 B2 10/2011 Leber  
 8,048,010 B2 11/2011 Ohashi et al.  
 D692,527 S 10/2013 Hanna et al.  
 D707,329 S 6/2014 Hanna et al.  
 2004/0164184 A1 8/2004 Glunk  
 2004/0217209 A1 11/2004 Bui  
 2004/0251323 A1 12/2004 Clark  
 2004/0252422 A1 12/2004 Talbot et al.  
 2005/0156062 A1 7/2005 Thomas et al.  
 2006/0175437 A1 8/2006 Gross  
 2008/0011880 A1 1/2008 Butzke et al.  
 2008/0225517 A1 9/2008 Clark  
 2009/0114743 A1 5/2009 Thomas et al.  
 2010/0037389 A1 2/2010 Gross  
 2010/0065665 A1 3/2010 Whitaker et al.  
 2010/0167551 A1 7/2010 DeDontney  
 2011/0031331 A1 2/2011 Klicpera  
 2013/0232684 A1 9/2013 Schumacher et al.

FOREIGN PATENT DOCUMENTS

EP 1479445 1/2002  
 EP 2638972 9/2013  
 GB 2337471 11/1999  
 WO 9710841 5/1997

OTHER PUBLICATIONS

Co-pending U.S. Appl. No. 29/457,990, filed Jun. 14, 2013.  
 Co-pending U.S. Appl. No. 29/450,323, filed Mar. 16, 2013.  
 Co-pending U.S. Appl. No. 29/450,306, filed Mar. 15, 2013.  
 European Patent Office Search Report for Application No. 13193218.8 dated Apr. 17, 2014 (7 pages).  
 United States Patent Office Notice of Allowance for U.S. Appl. No. 29/450,323 dated Jun. 26, 2014 (8 pages).  
 United States Patent Office Notice of Allowance for U.S. Appl. No. 29/450,310 dated Jun. 25, 2014 (8 pages).  
 United States Patent Office Notice of Allowance for U.S. Appl. No. 29/450,306 dated Jun. 26, 2014 (8 pages).  
 VS-3014 Caspian Showerhead, downloaded Jun. 27, 2014 <http://www.speakmancompany.com/products/detail/VS-3014> (1 page).  
 Grohe Power & Soul, 2013 (5 pages).  
 United States Patent Office Notice of Allowance for U.S. Appl. No. 29/470,413 dated Jan. 31, 2014 (16 pages).  
 EP13158845.1 Extended European Search Report dated May 24, 2013 (7 pages).  
 Co-pending U.S. Appl. No. 29/415,587, filed Mar. 12, 2012.  
 United States Patent Office Notice of Allowance for U.S. Appl. No. 29/415,587 dated Jun. 7, 2013 (7 pages).  
 United States Patent Office Supplemental Notice of Allowance for U.S. Appl. No. 29/457,990 dated Sep. 24, 2013 (7 pages).  
 Co-pending U.S. Appl. No. 13/790,621, filed Mar. 8, 2013.  
 Co-pending U.S. Appl. No. 29/467,020, filed Sep. 13, 2013.  
 Australian Patent Office Examination Report for Application No. 2013201441 dated Sep. 17, 2014 (5 pages).  
 Extended European Search Report for Application No. 13193218.8 dated Aug. 27, 2014 (14 pages).

\* cited by examiner

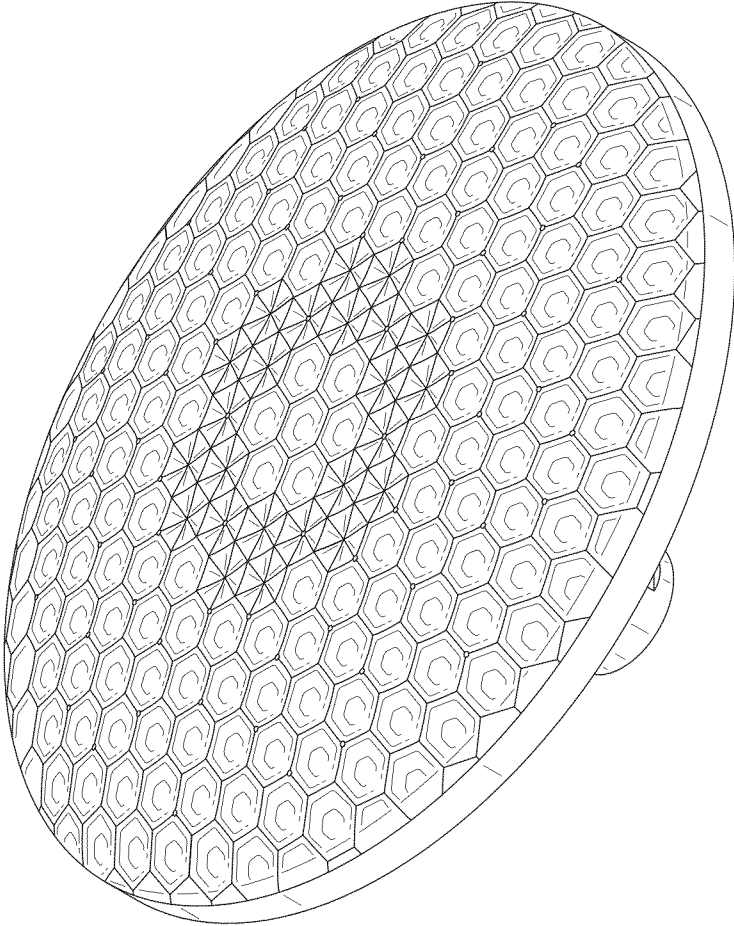


FIG. 1

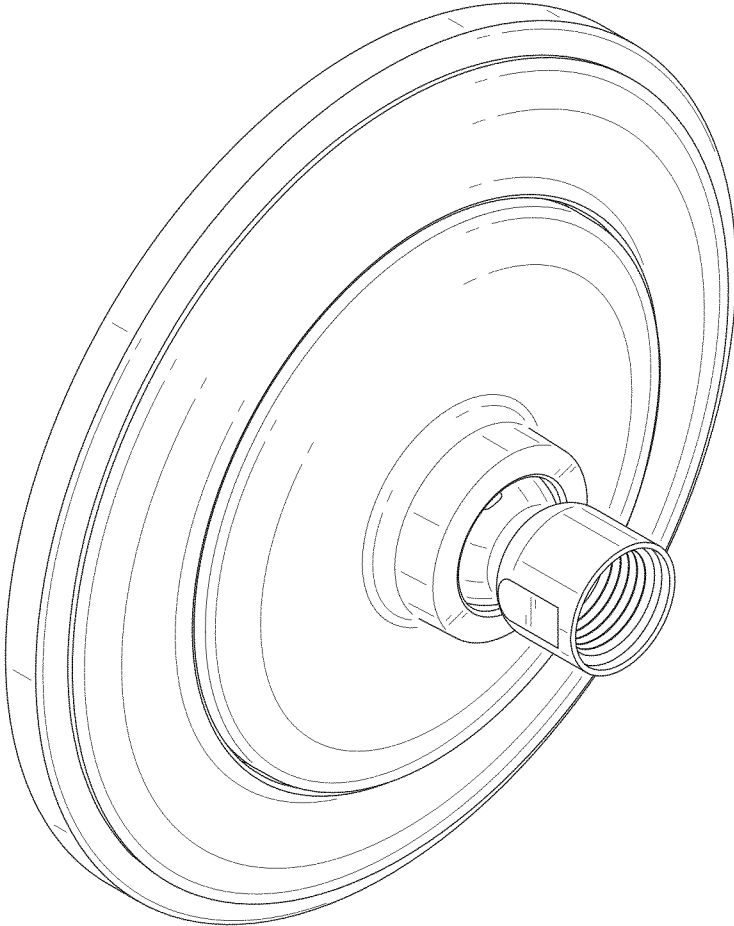


FIG. 2

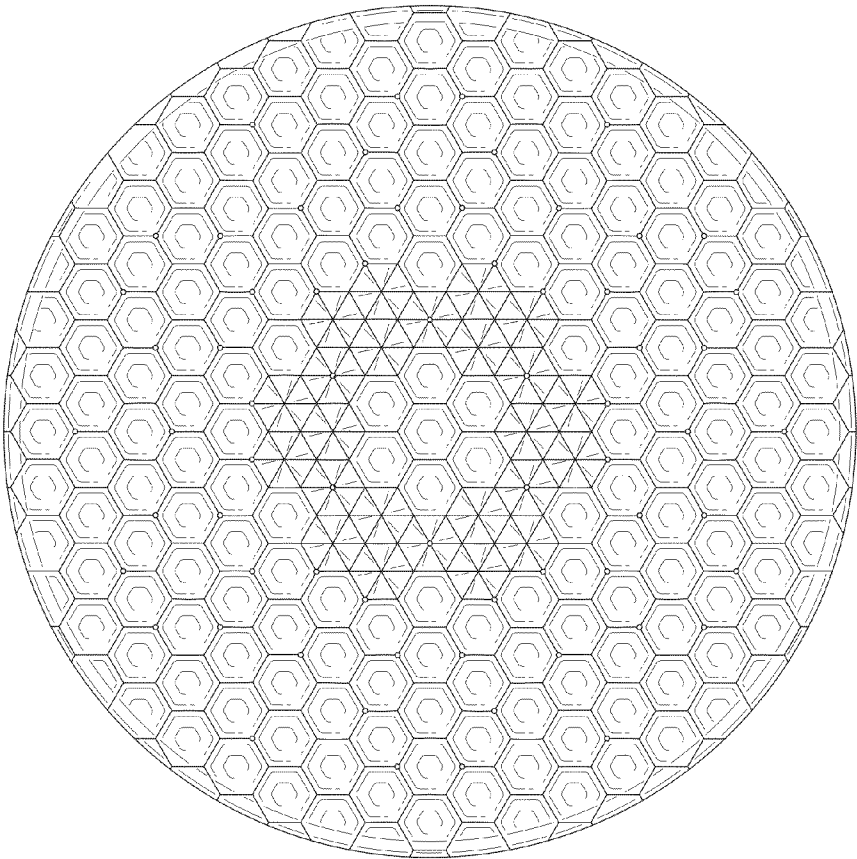


FIG. 3

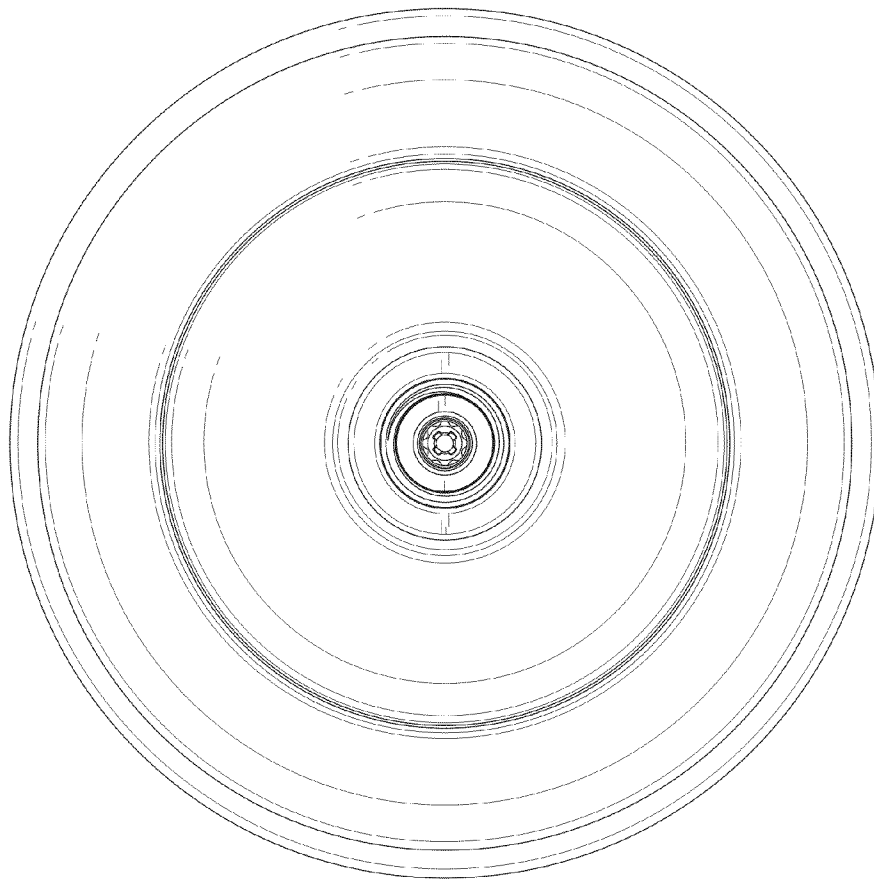


FIG. 4

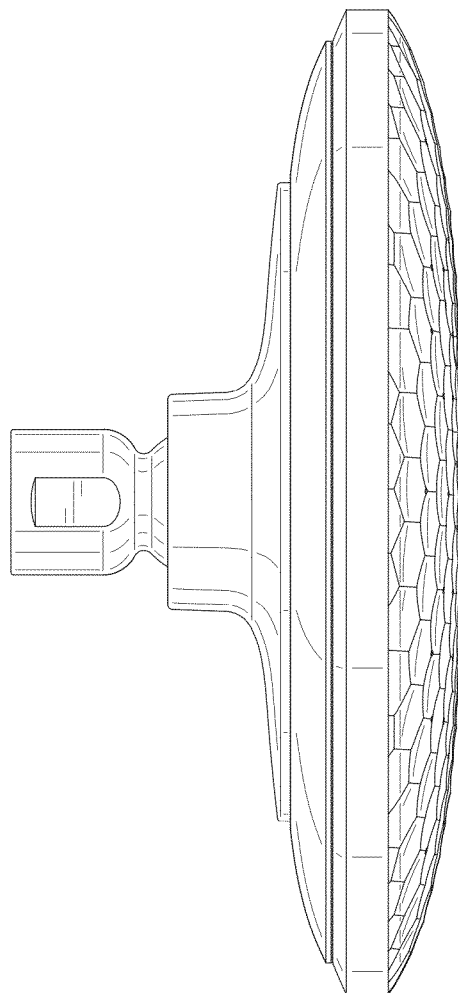


FIG. 5

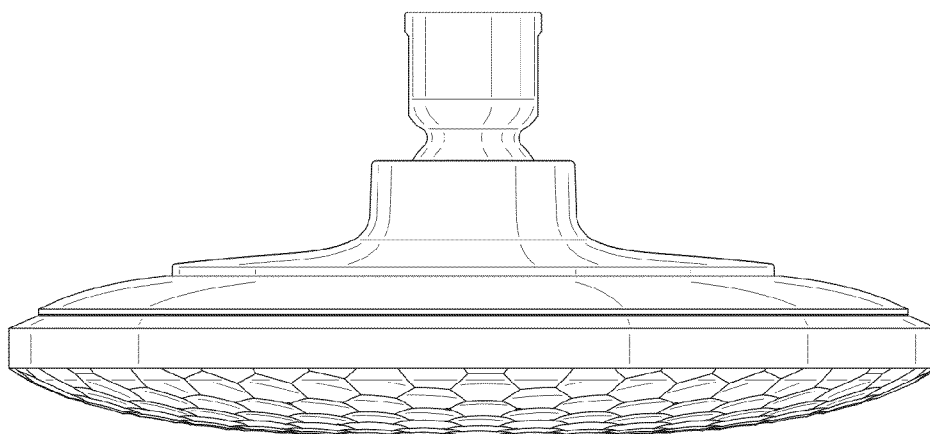


FIG. 6



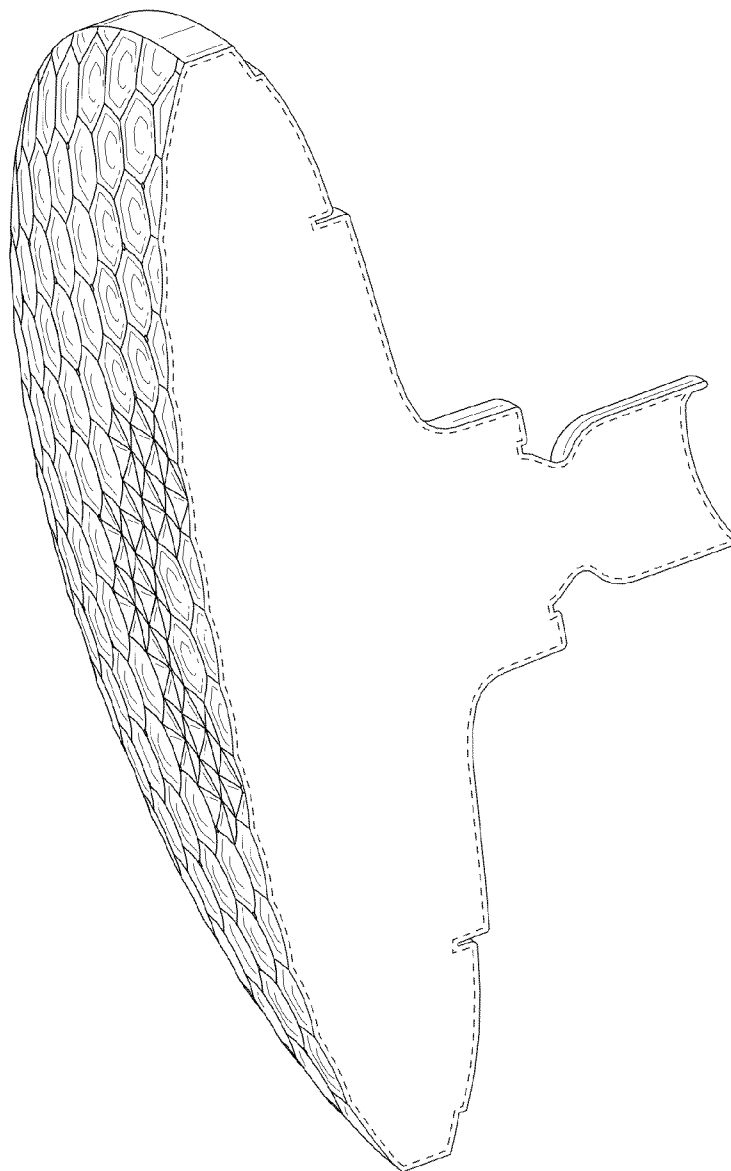


FIG. 7